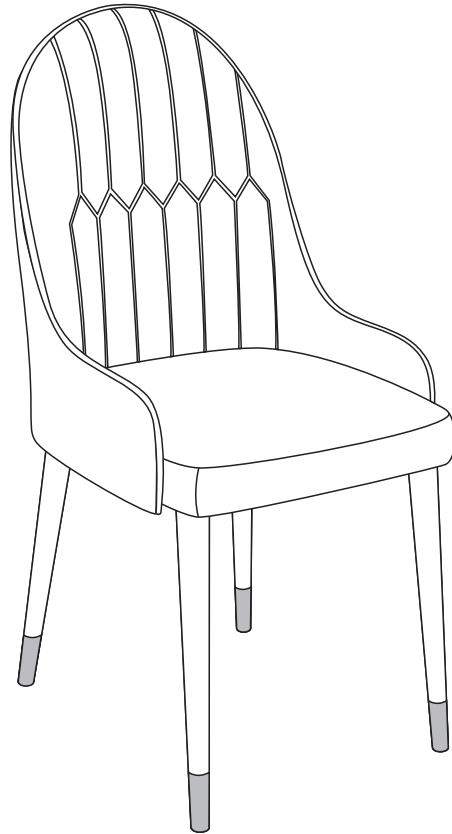


Dining Chair

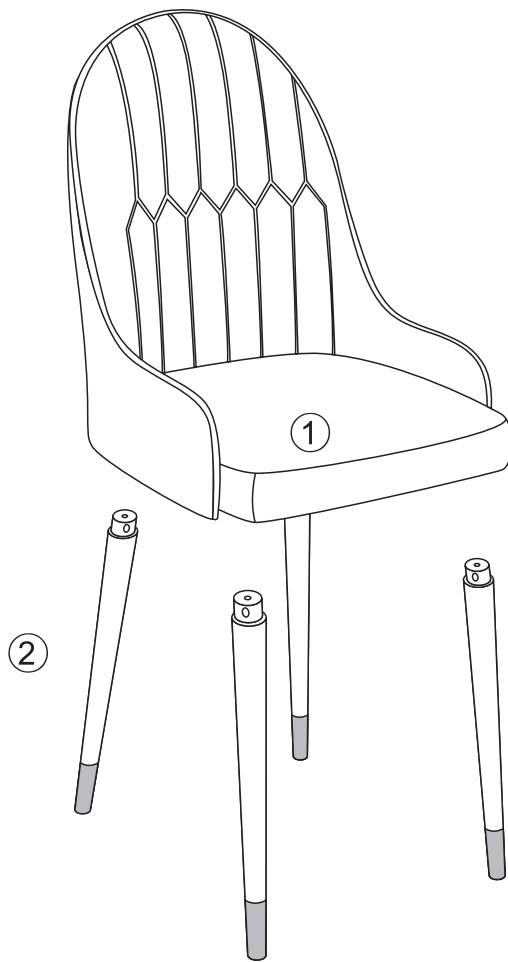


2 Persons

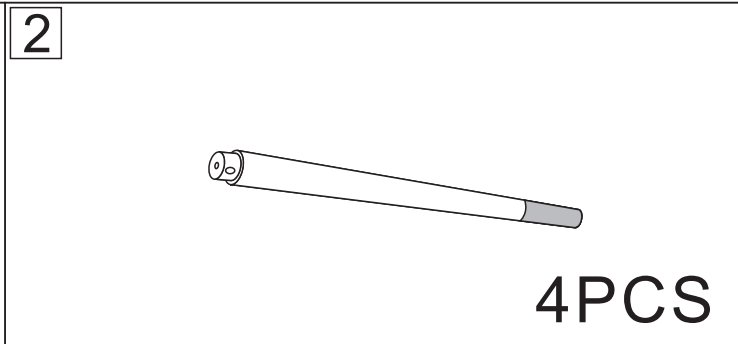
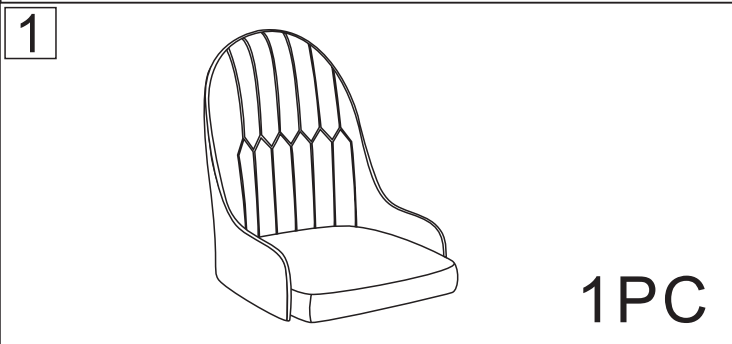
W54*D51*H92MM

Installation Instructions

Notes: Don't tighten screws completely at first, just in case parts were assembled wrongly and need disassemble. Tighten screws at last when all parts are put together.



Disassembly and installation of accessories



A 4PCS



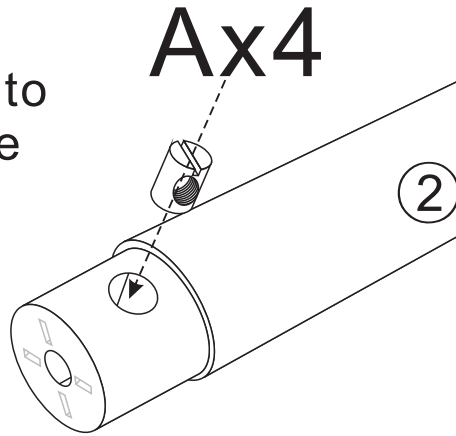
15*10mm




Tools
Recommended

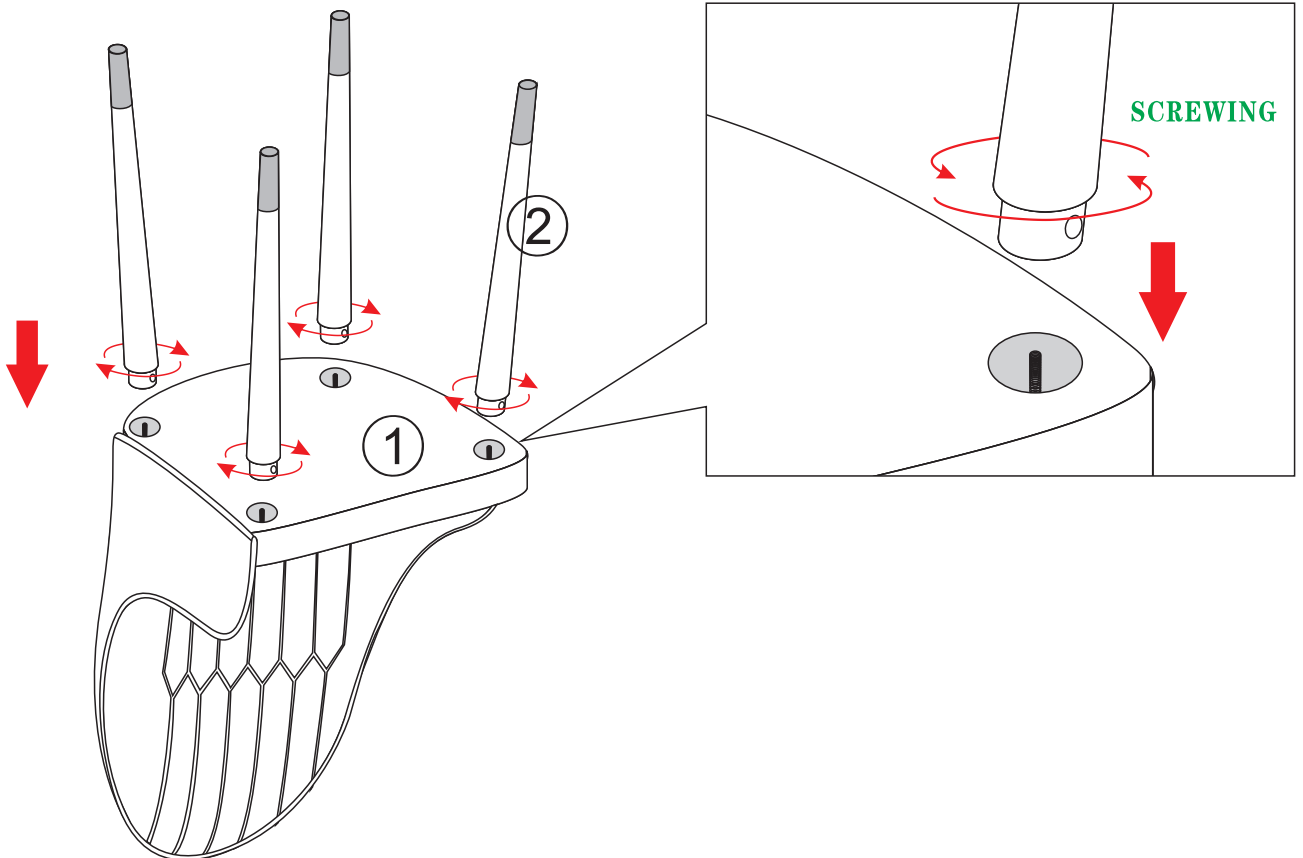
1

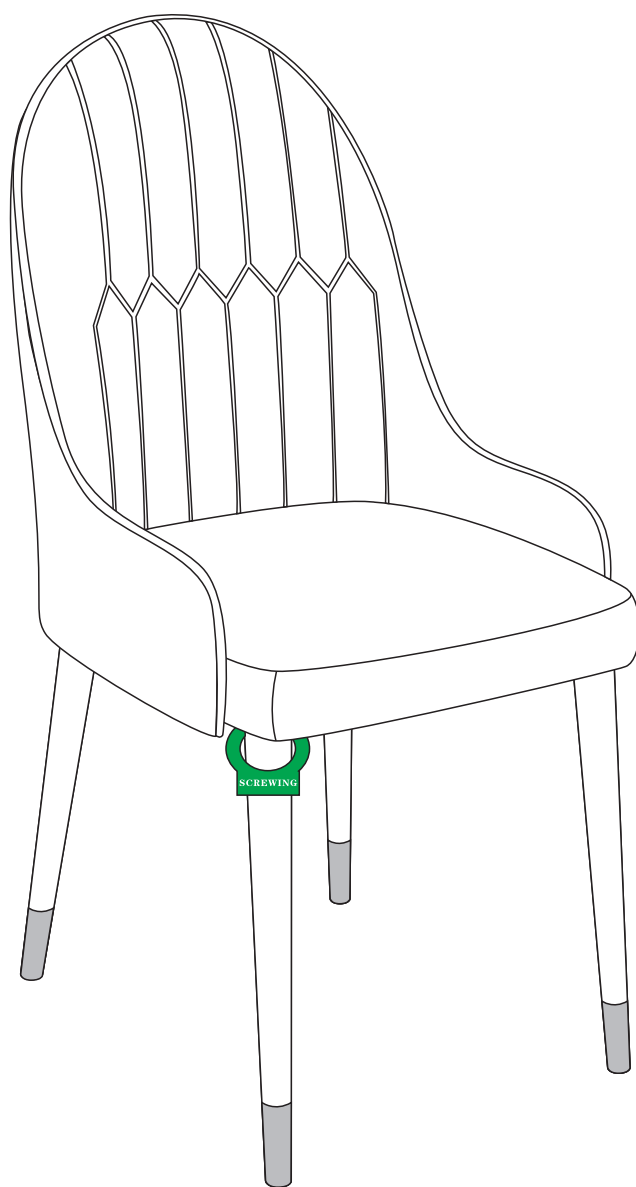
▲ Put the nut in to the hole of the chair foot



A	4PCS
	
15*10mm	

2





OK