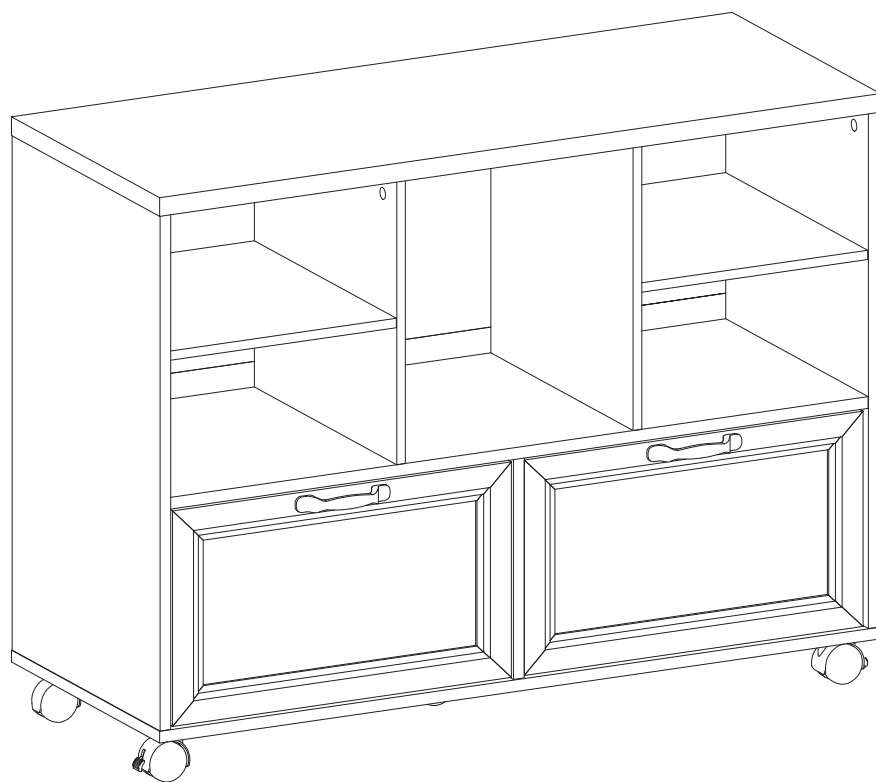


Mobile Lateral Filing Cabinet

ASSEMBLY, CARE & USE INSTRUCTIONS



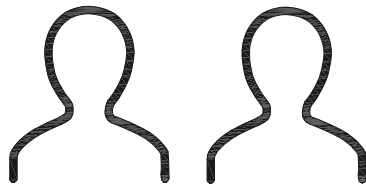
THANK YOU

We appreciate the trust to purchase our Filing Cabinet. We strive to continually create quality products designed to enhance your home. Visit us online to see our full line of products available for your home improvement needs. Thank you for choosing us!



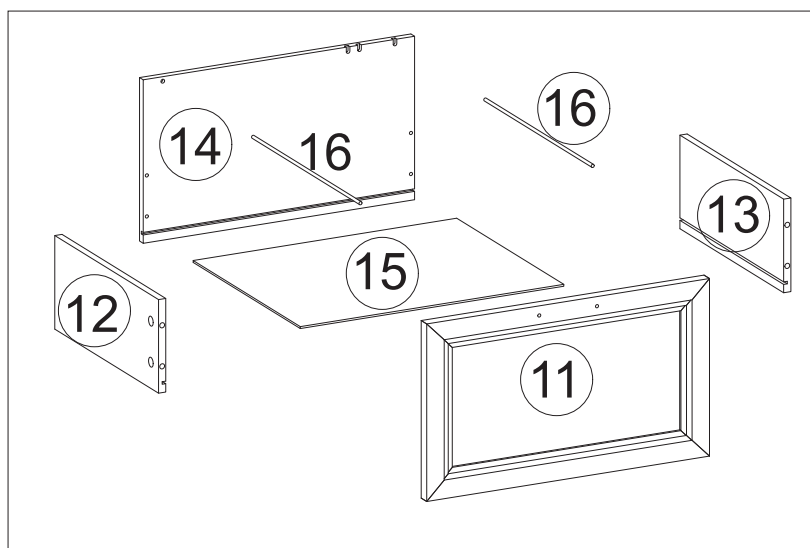
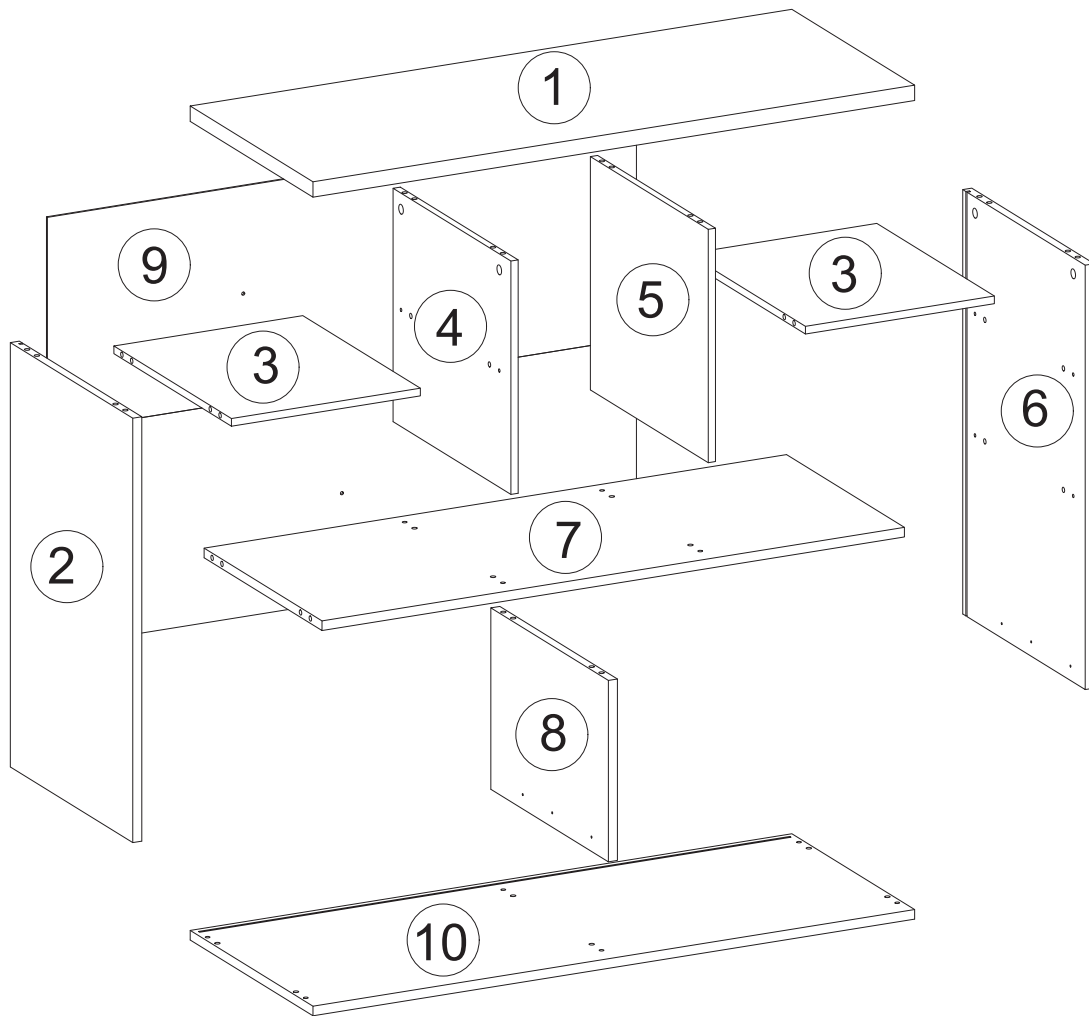
Estimated time for assembly:

120 mins










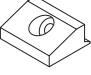






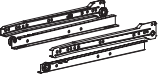

2 Personer

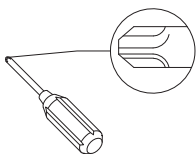
PACKAGE CONTENTS



x2

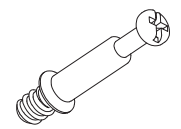
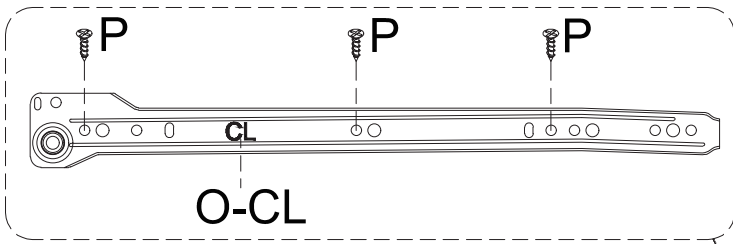
Hardware List

A		ø6x30mm	Wood dowel	32+1 PCS
B		Ø6x33.5mm	Cam bolt	30+1 PCS
C		Ø15x9.5mm	Cam lock	30+1 PCS
D			Sticker	30+1 PCS
E				3 PCS
F				2 PCS
G		ø3.5x14mm	Screw	20+1 PCS
H			Back buckle	12 PCS
I		Ø3x16mm	Flat-head screw	12 PCS
J		ø3x14mm	Screw	3 PCS
K		ø5x48mm	Screw	10+1 PCS
L			Handle	2 PCS
M		ø4x22mm	Handle bolt	4 PCS
N		ø4x30mm	Screw	8 PCS
O		L350mm	Drawer slider	2 PCS
P		ø3.5x12mm	Screw	24+1 PCS

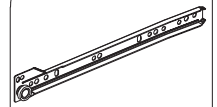


Philips head screwdriver required for assembly
(not included)

Step 1



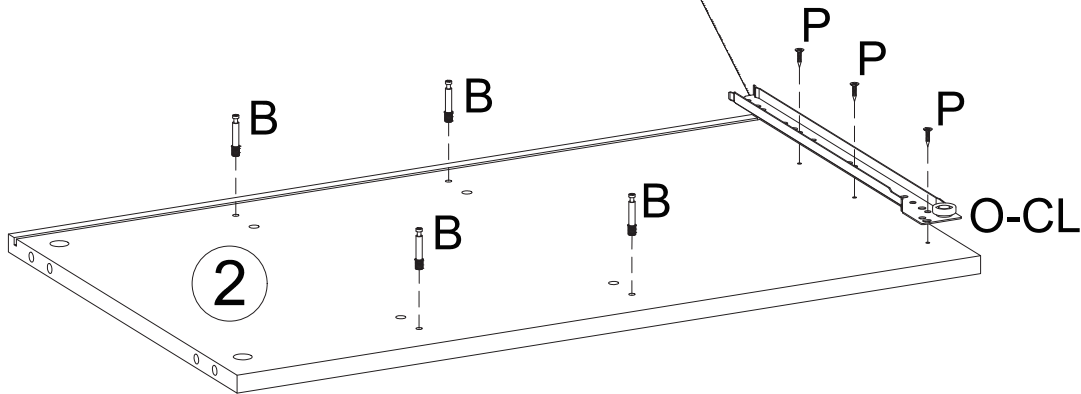
B x4



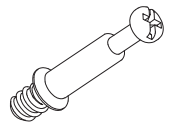
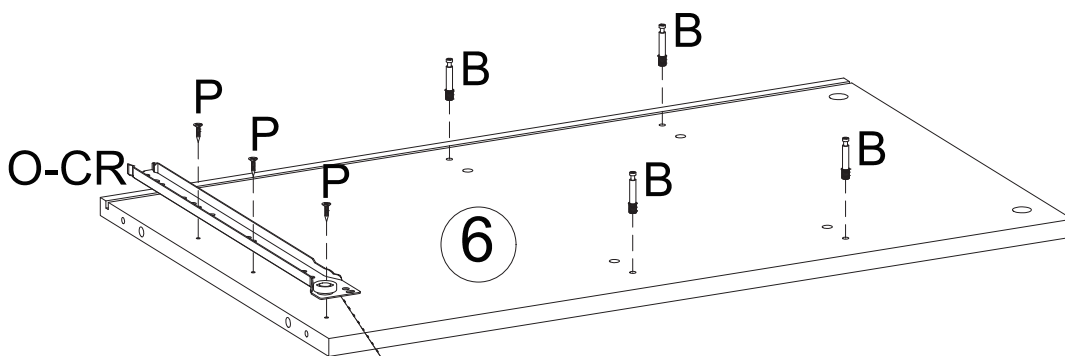
O-CLx1



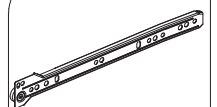
P x3



Step 2



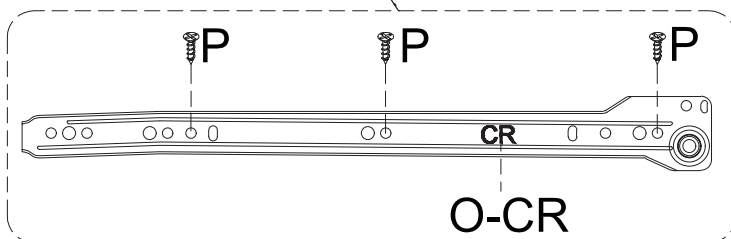
B x4



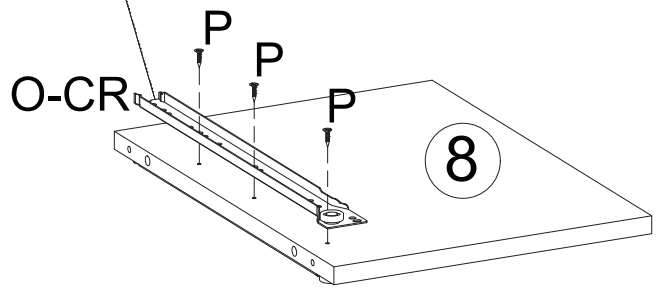
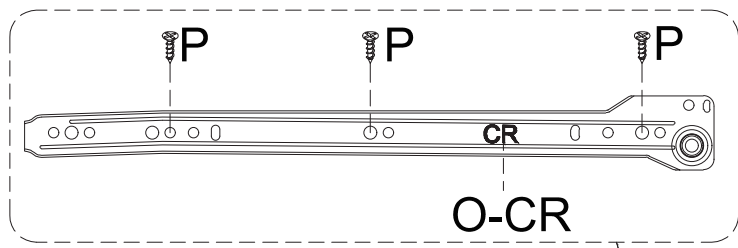
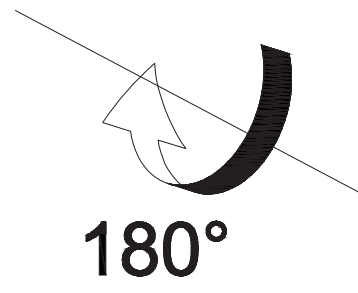
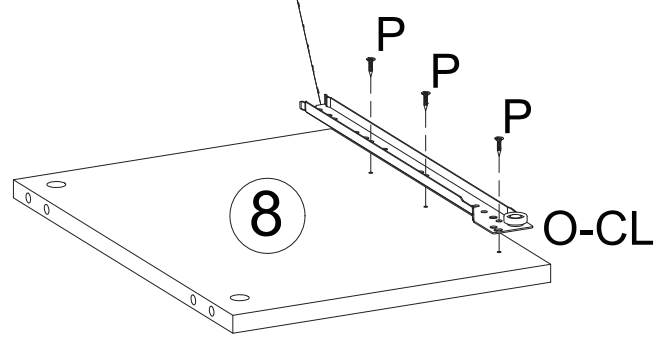
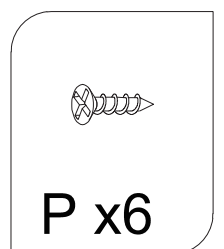
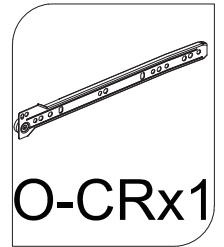
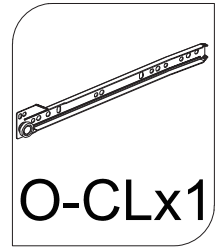
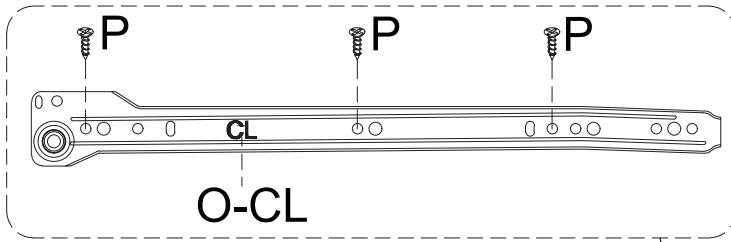
O-CRx1



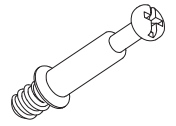
P x3



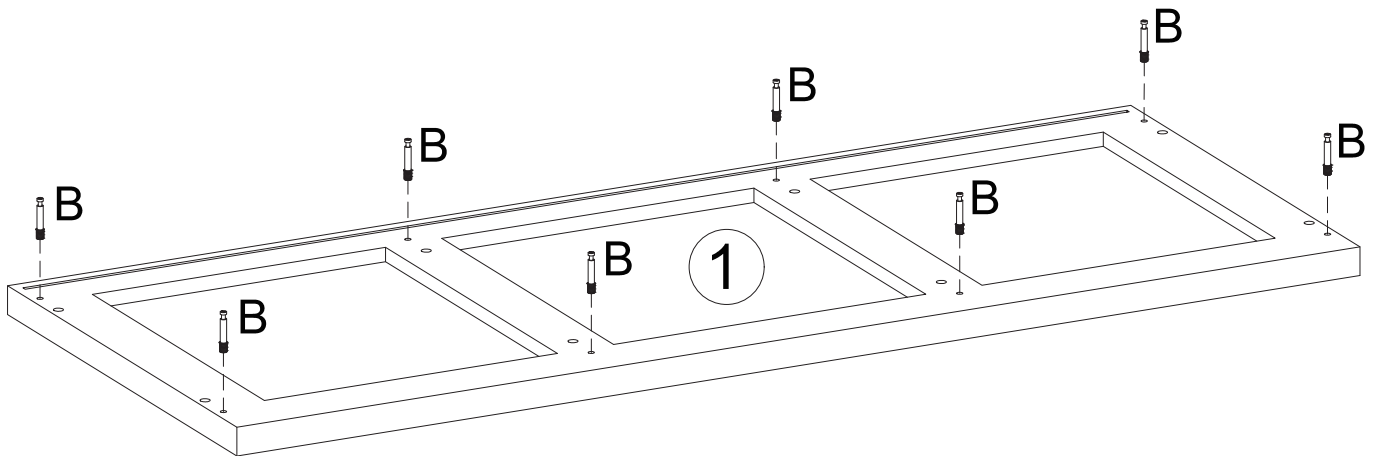
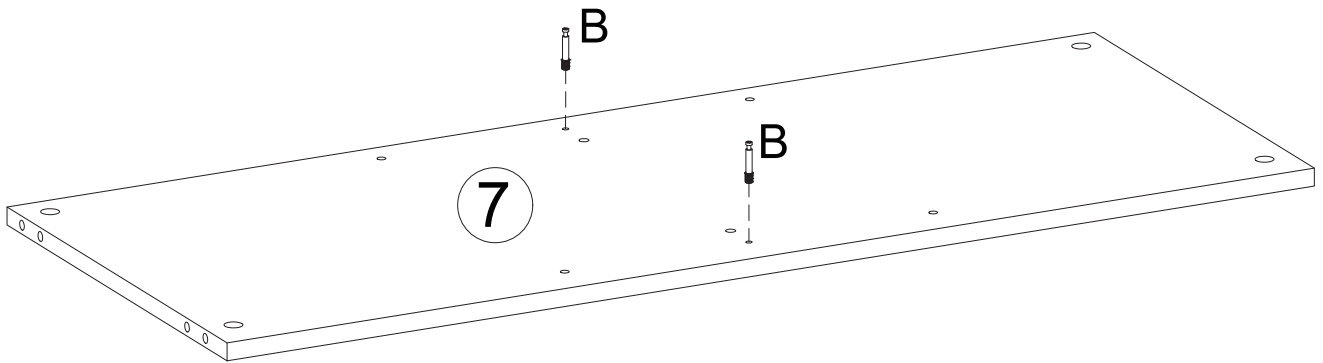
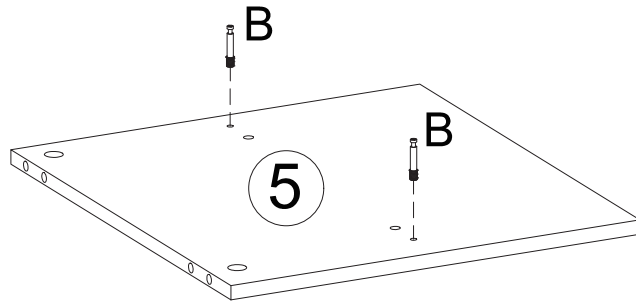
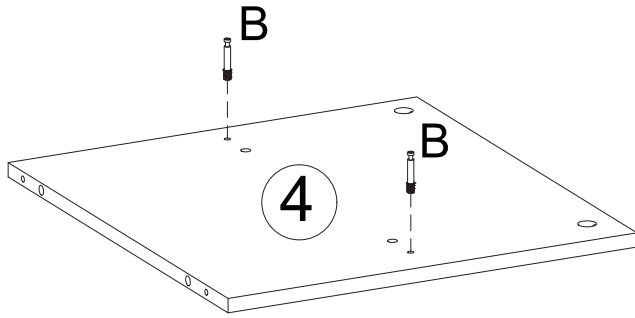
Step 3



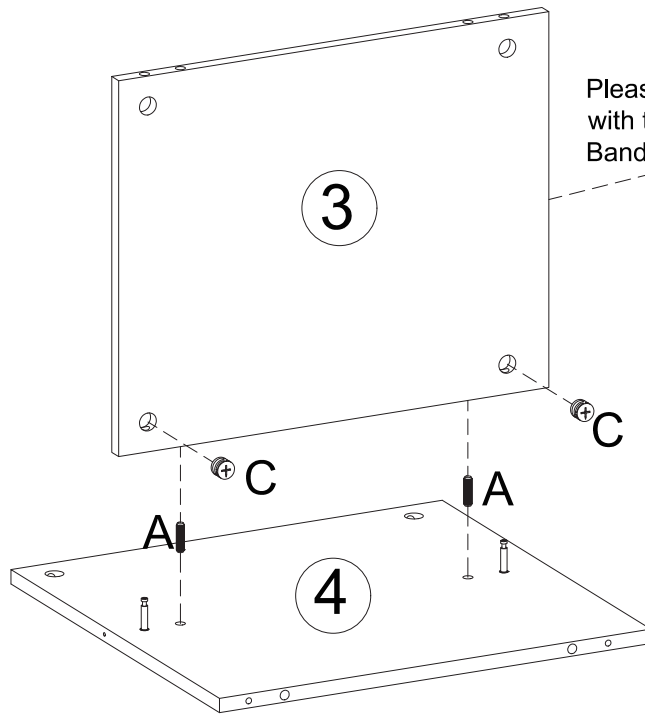
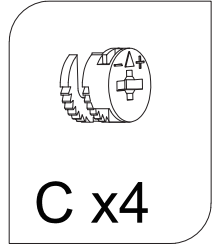
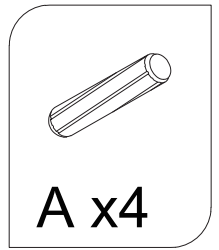
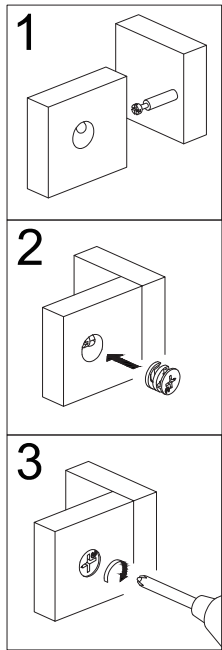
Step 4



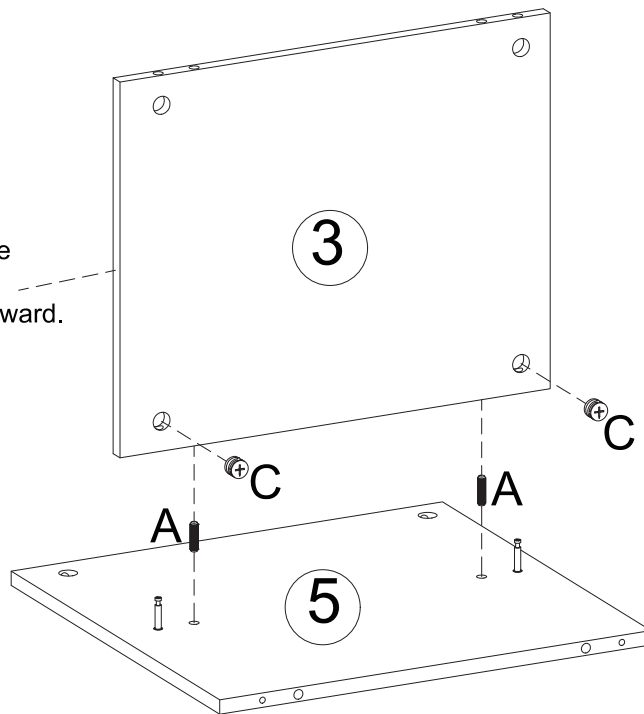
B x14



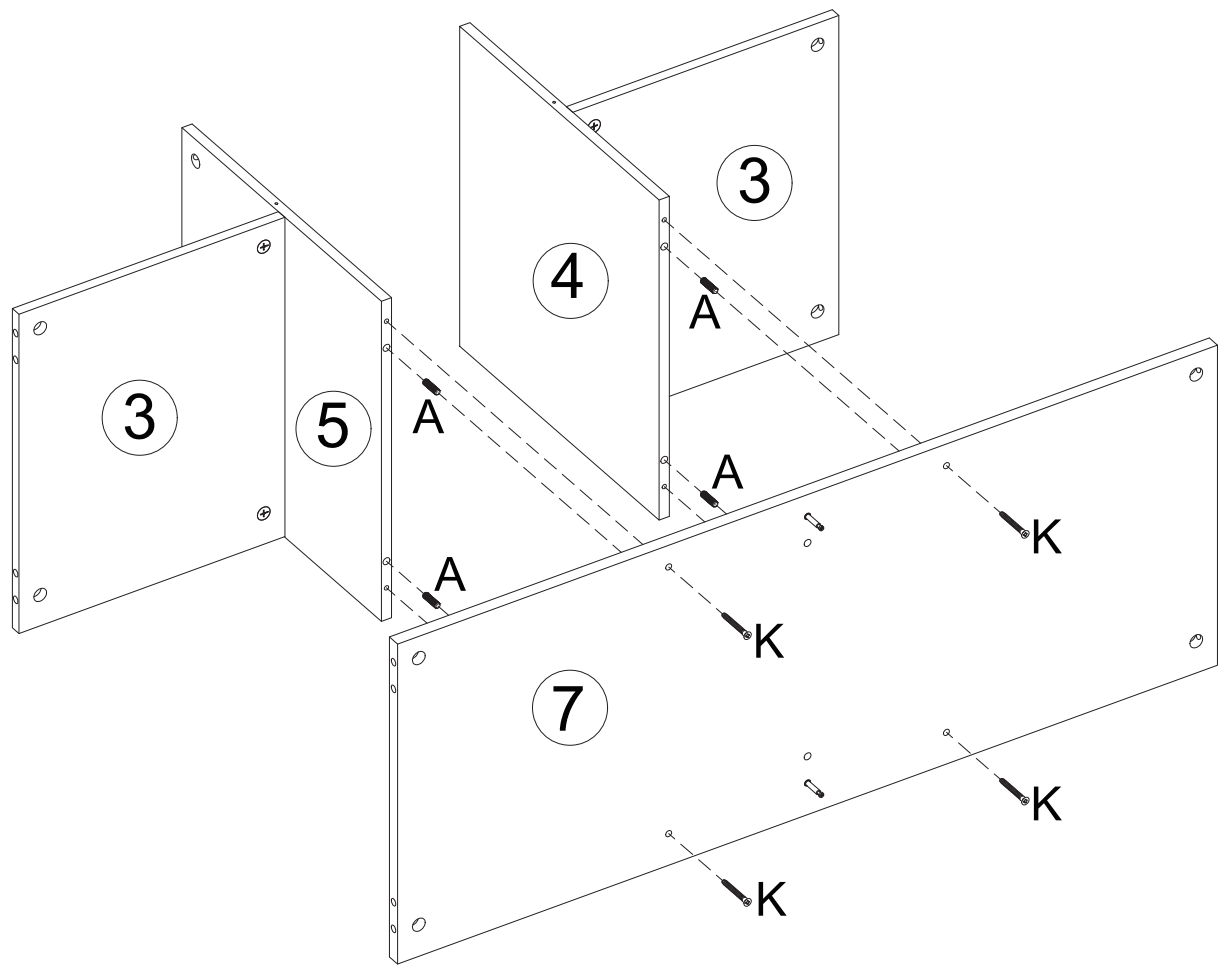
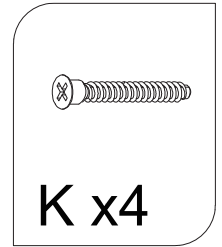
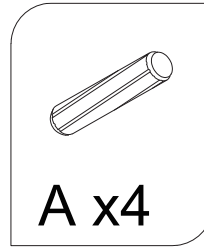
Step 5



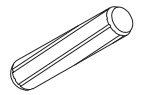
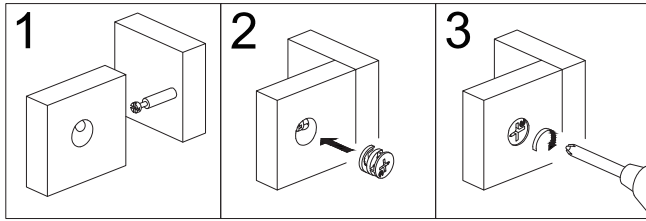
Please put the side with the Pvc Edge Banding facing forward.



Step 6



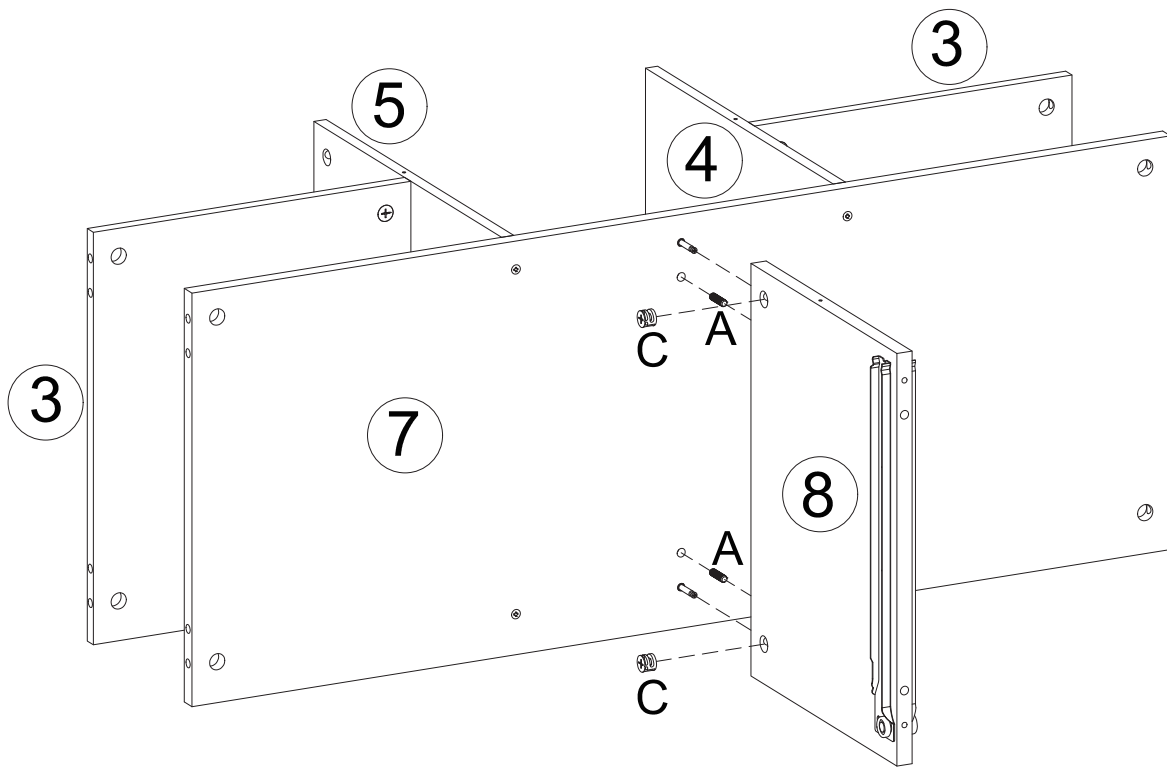
Step 7



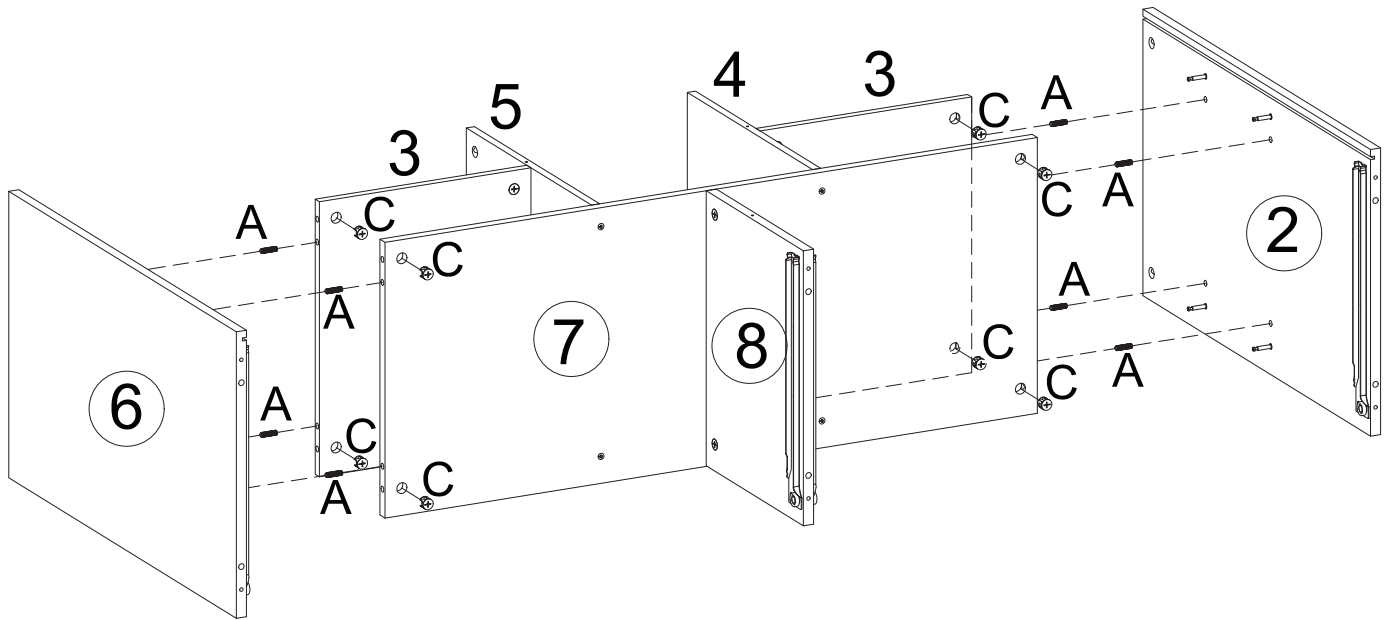
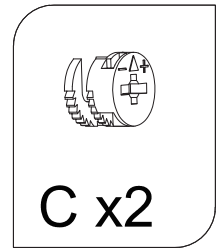
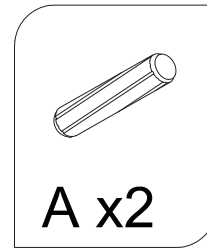
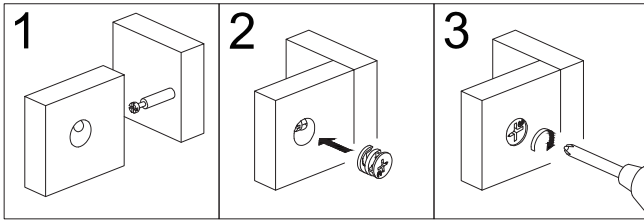
A x2



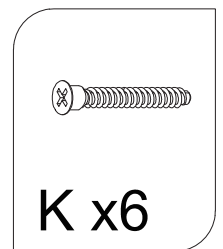
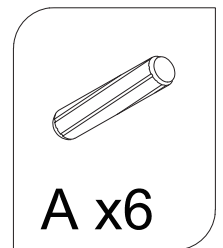
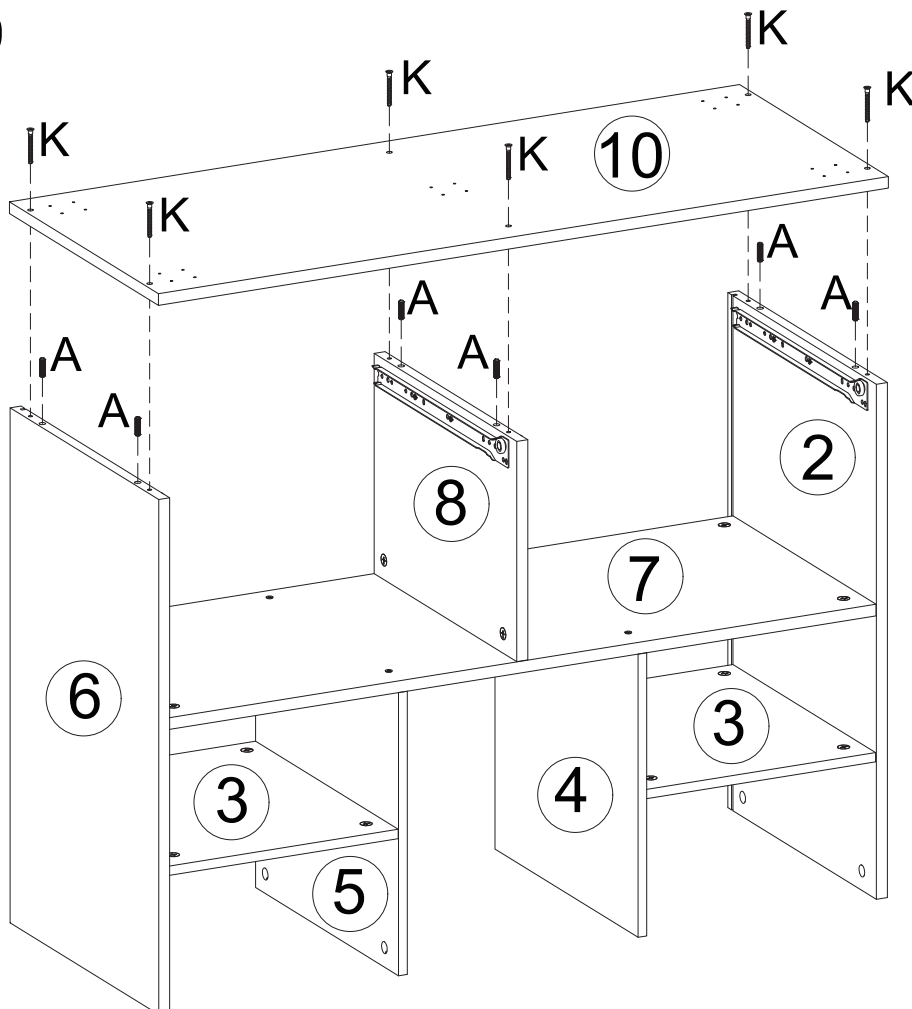
C x2



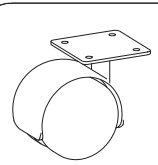
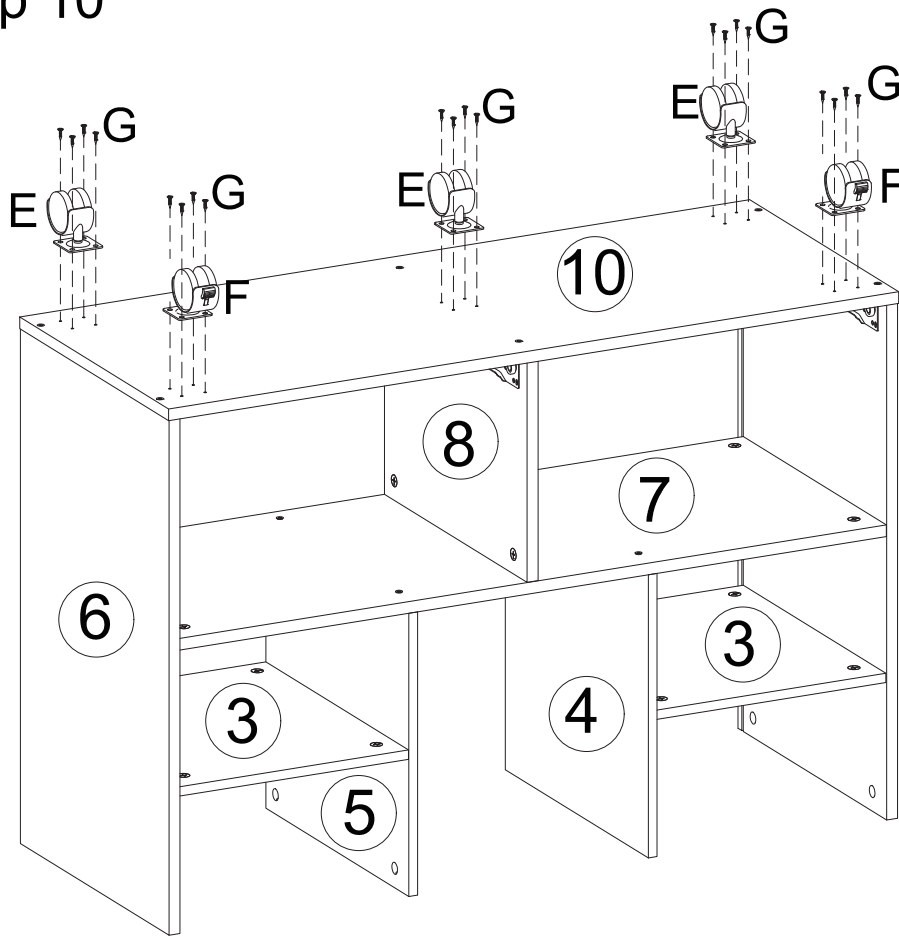
Step 8



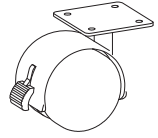
Step 9



Step 10



E x3

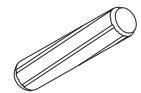
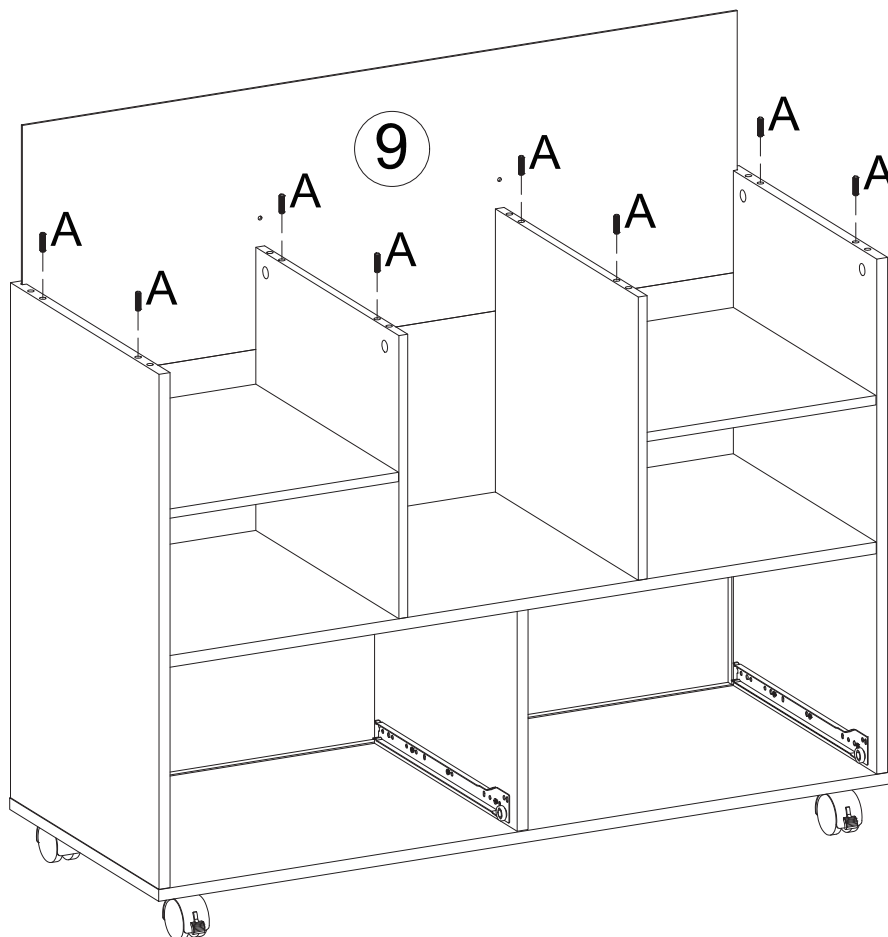


F x2



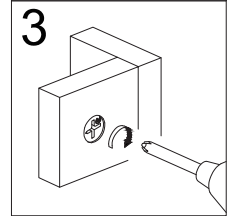
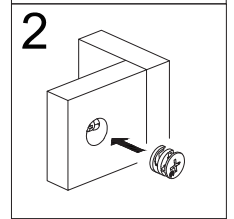
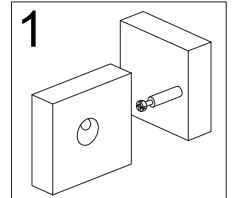
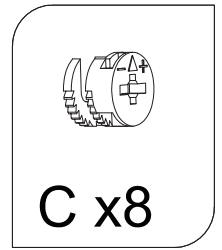
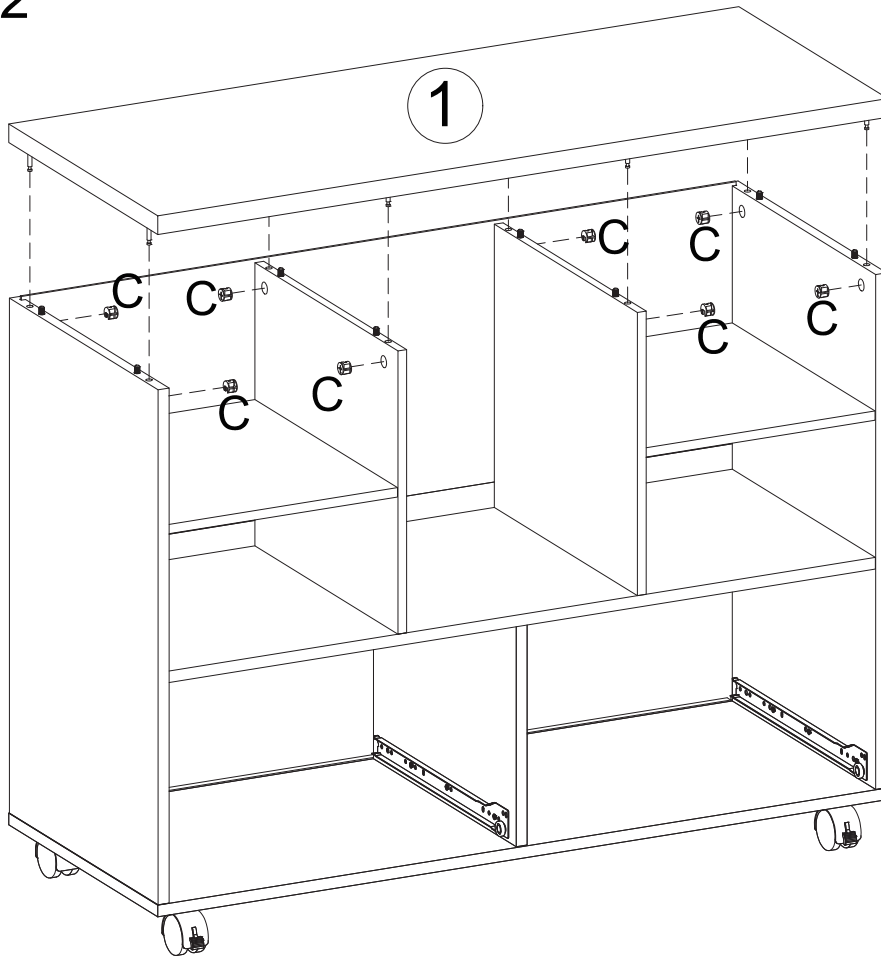
G x20

Step 11

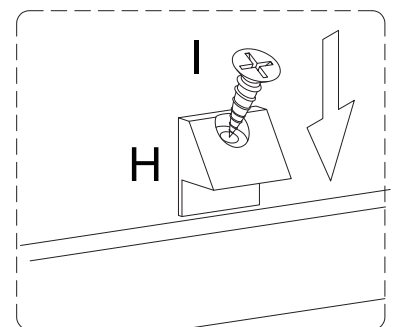
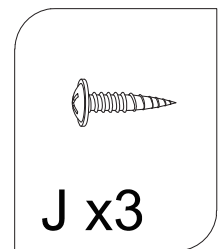
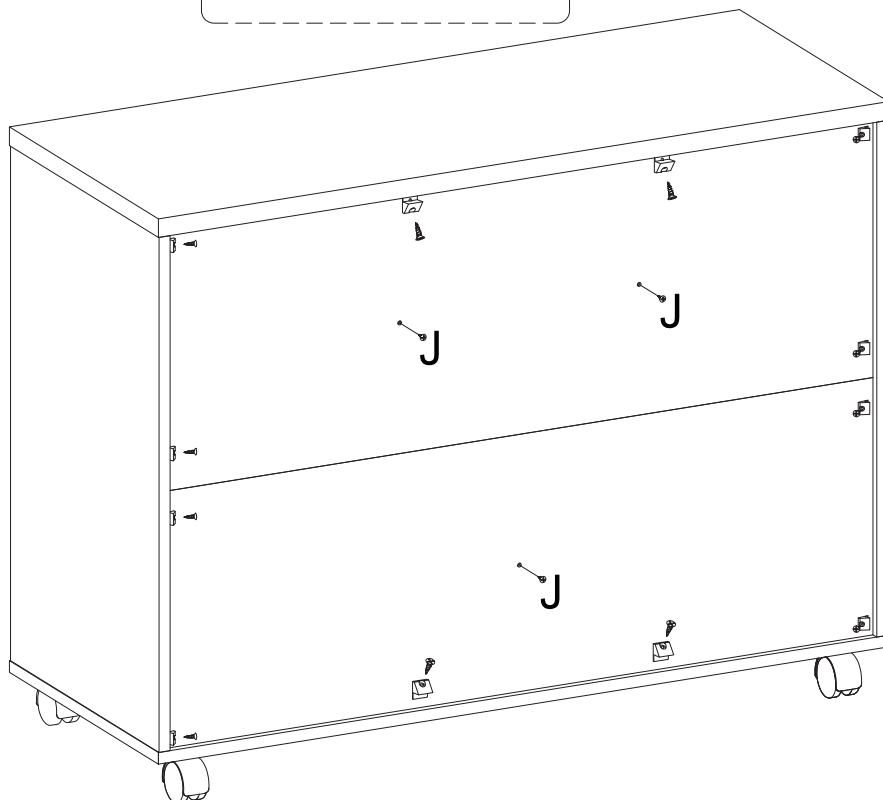
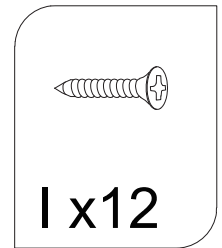
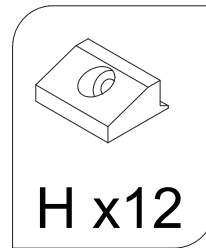
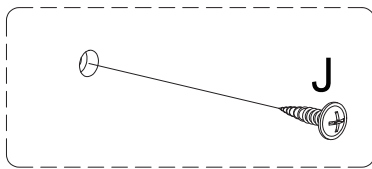


A x8

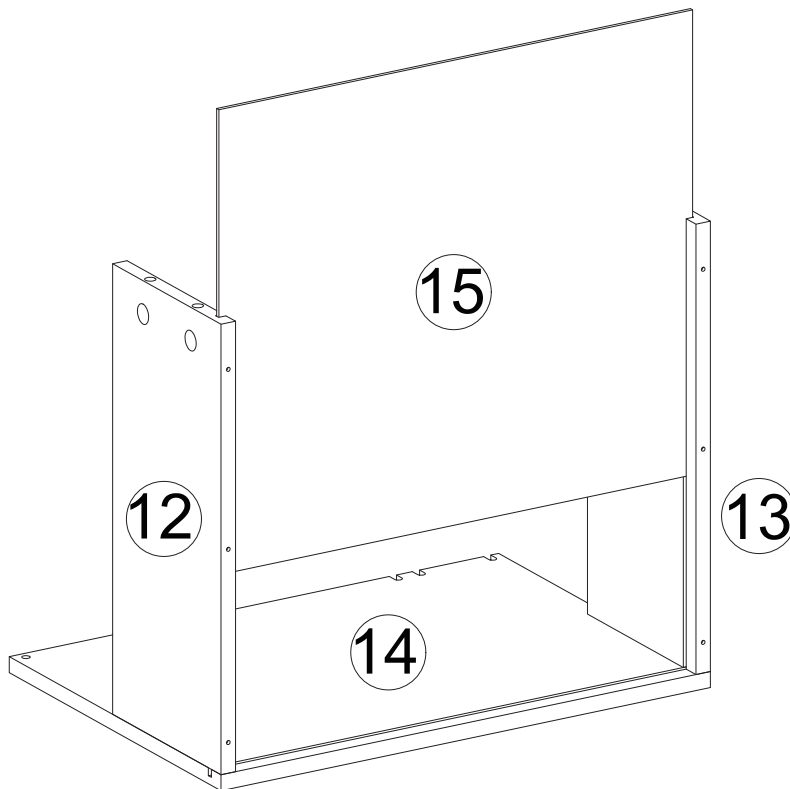
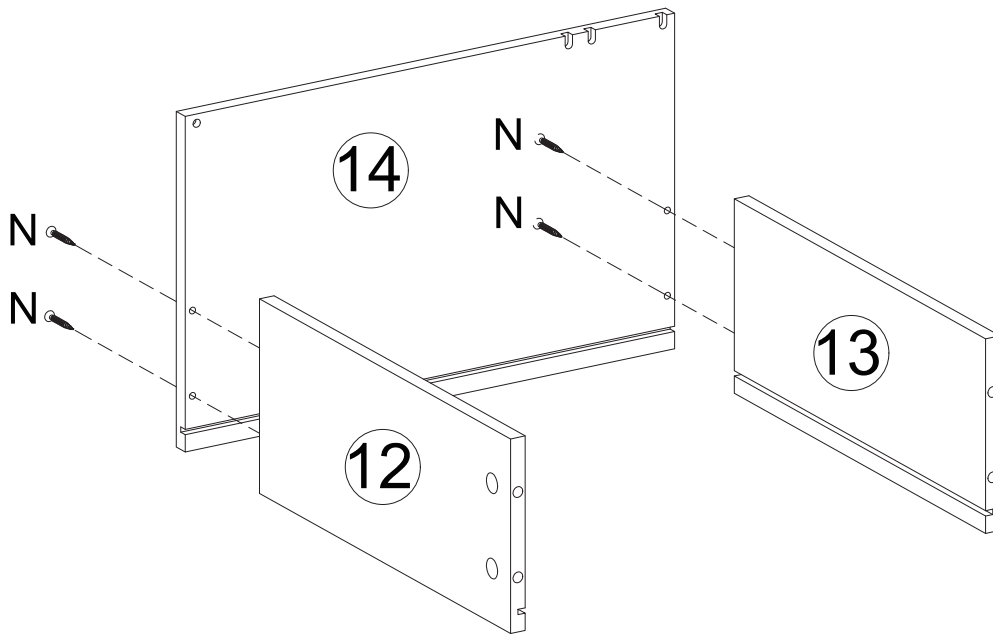
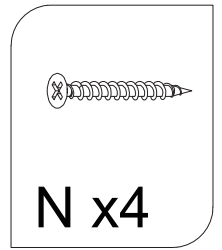
Step 12



Step 13

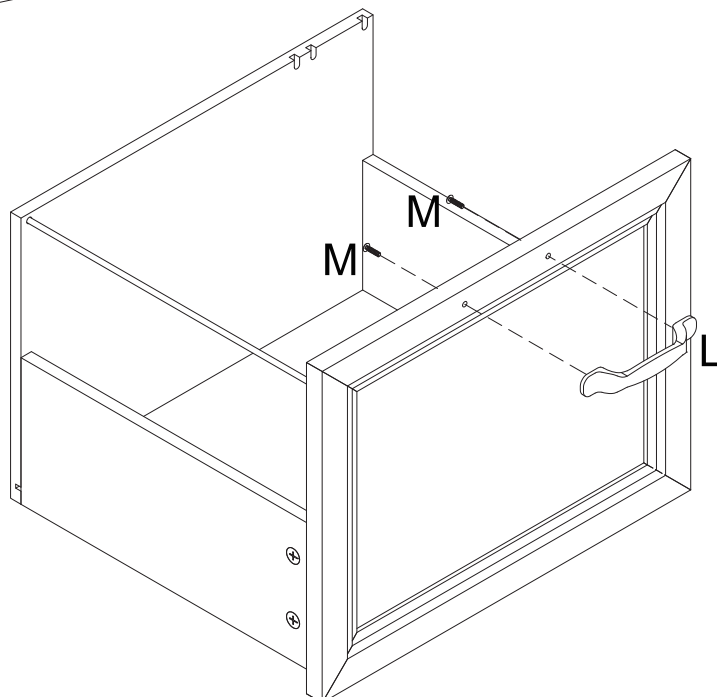
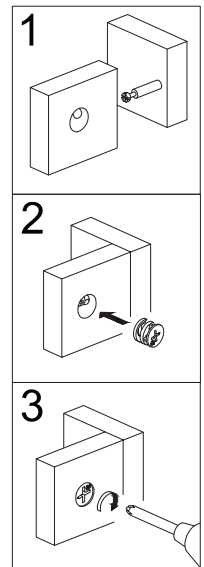
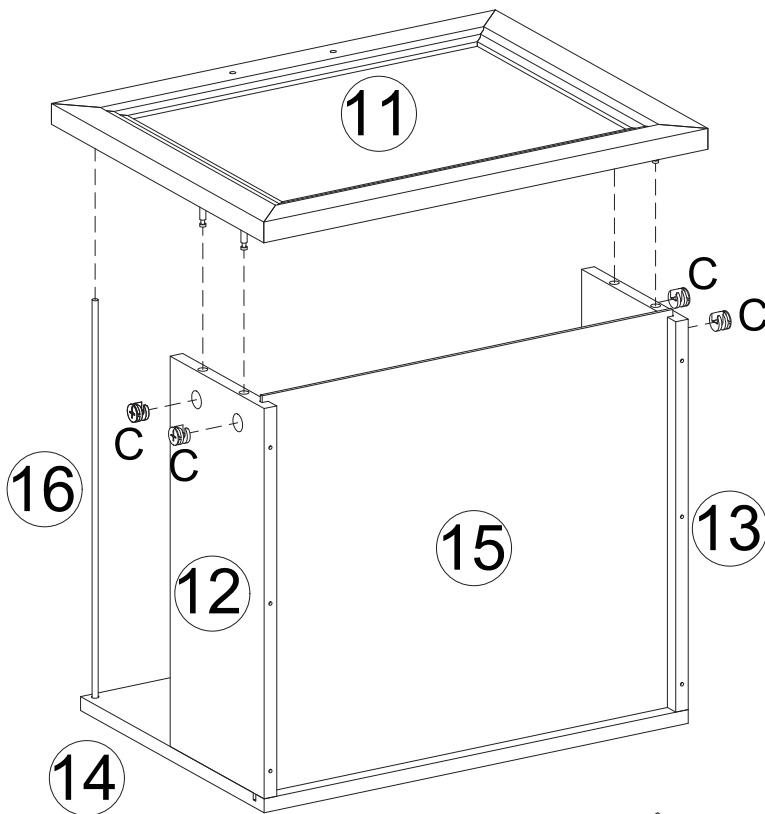
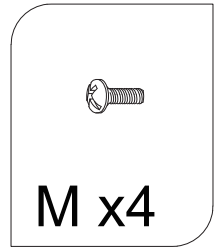
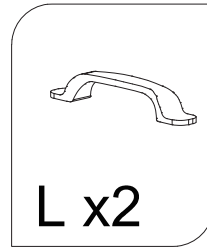
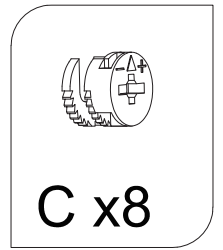
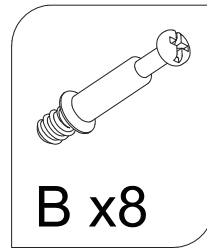
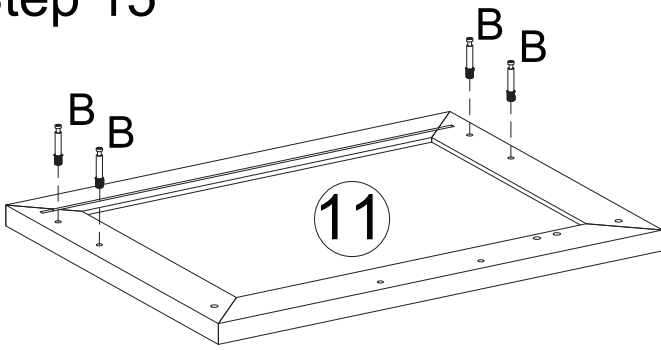


Step 14



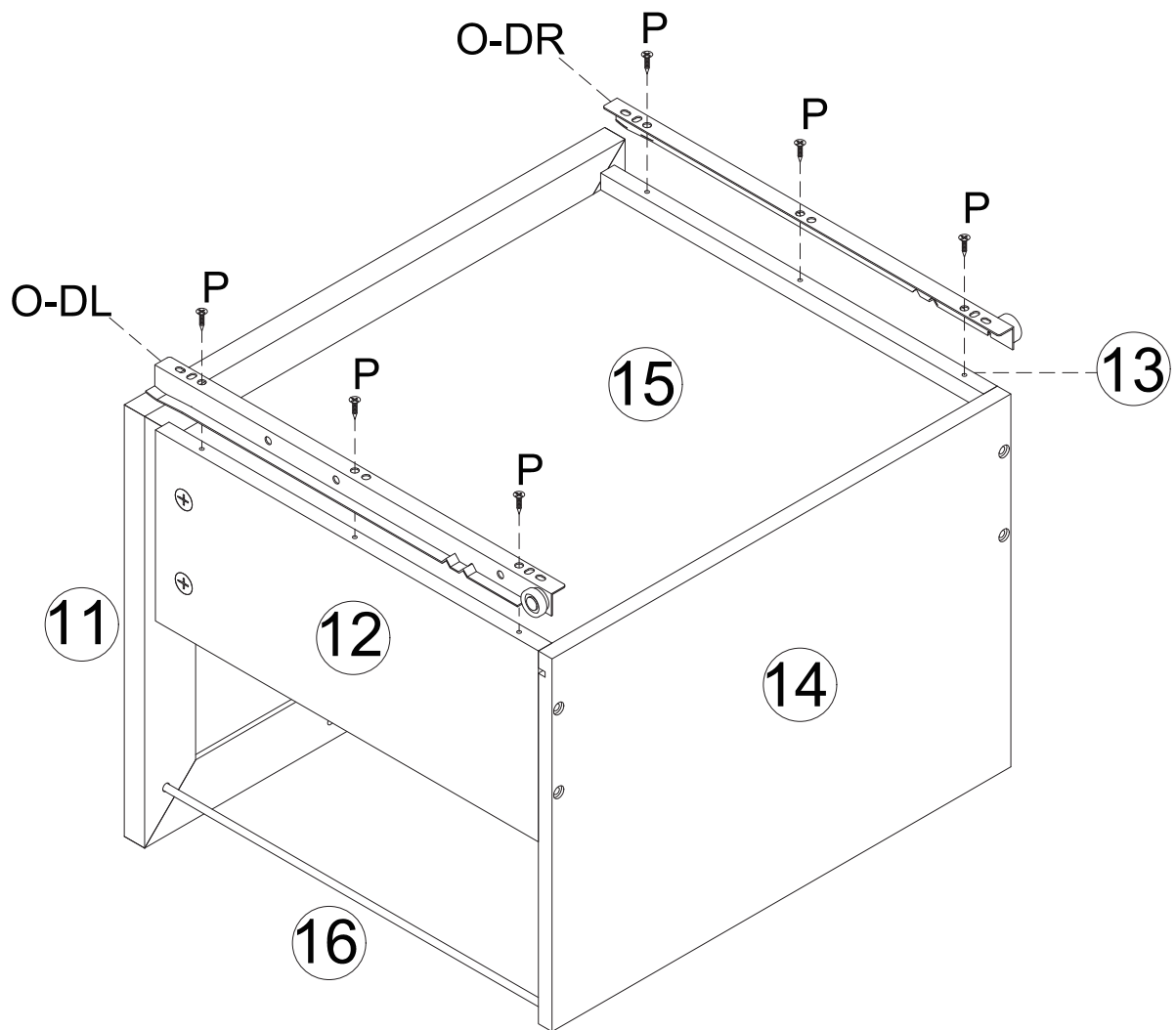
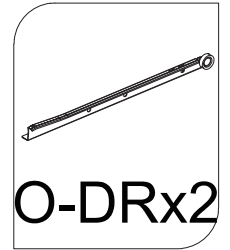
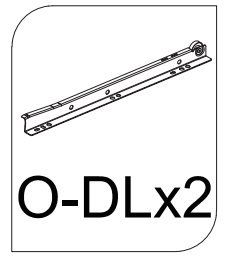
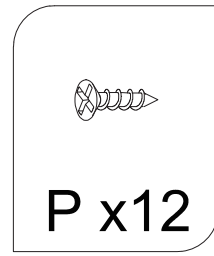
x2

Step 15



x2

Step 16



x2

Step 17

