
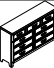







LIBERTY FURNITURE

ASSEMBLY INSTRUCTION

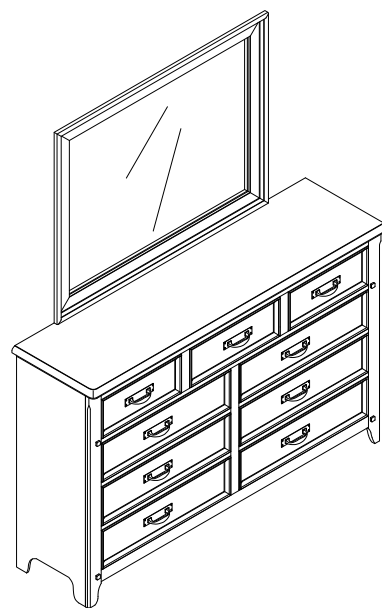
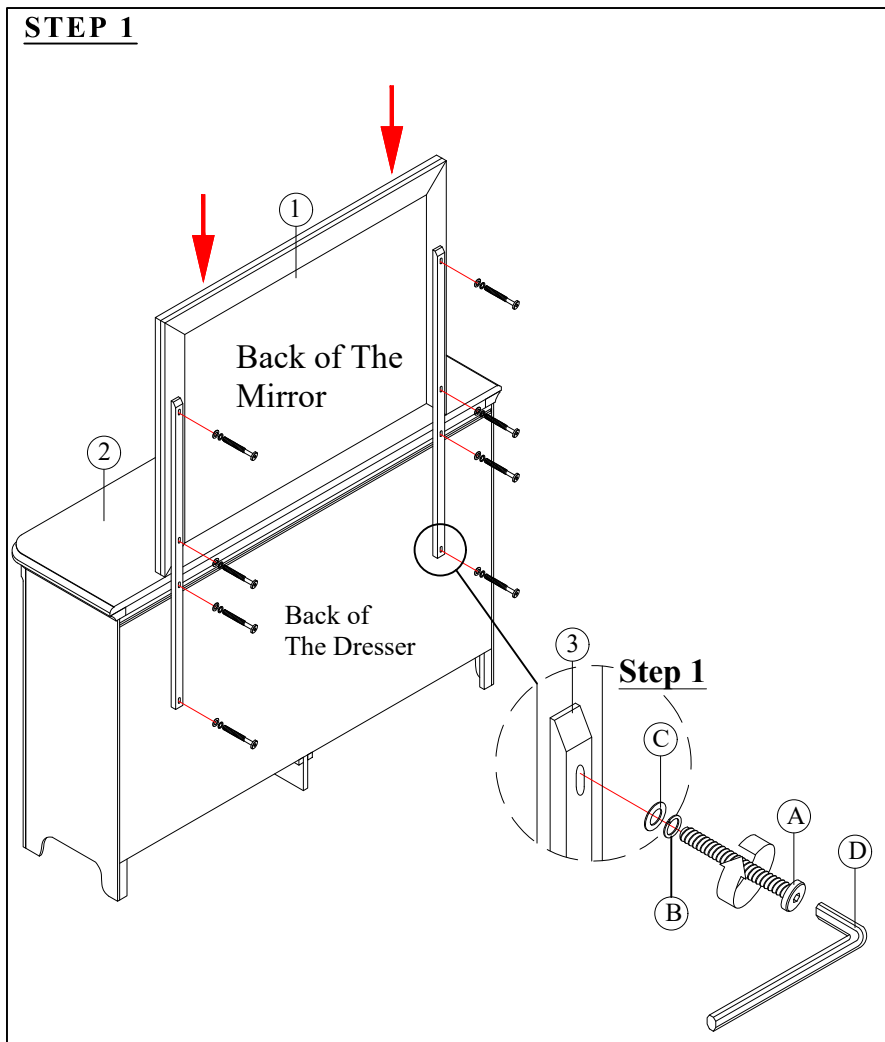
DESCRIPTION : MIRROR

Thank you for purchasing this quality product. Be sure to check all packing material carefully for small parts which may have come loose inside the carton during shipment. Identify and count all parts and compare with the parts list below :

| PART LIST | | |
|-----------|--|------|
| ITEM | DESCRIPTION | QTY |
| 1 | MIRROR  | 1PC |
| 2 | DRESSER  | 1PC |
| 3 | MIRROR SUPPORT  | 2PCS |

| 4 | | |
|------------------------|--|------|
| ASSEMBLY HARDWARE PACK | | |
| ITEM | DESCRIPTION | QTY |
| A | JCBC SCREW M6 x 35mm  | 8pcs |
| B | SPRING WASHER M6 x 13mm  | 8pcs |
| C | FLAT WASHER M6 x 19mm x 2.4mm  | 8pcs |
| D | ALLEN KEY M4  | 1pc |

STEP 1



COMPLETE ASSEMBLE

ASSEMBLY TIPS :

1. Remove hardware from box and sort by size.
2. Please check to see that all hardware and parts are present prior start of assembly.
3. Please follow attached instructions in the same sequence as numbered to assure fast and easy assembly.



WARNING !

1. Don't attempt to repair or modify parts that the broken or defective. Please contact the store immediately.
2. This product is for home use only and not intended for commercial establishments.