

STUDY DESK WITH CUSHION SEAT CHAIR.

ASSEMBLY INSTRUCTIONS



ASSEMBLY INSTRUCTIONS

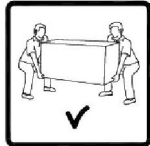
ASSEMBLY TIPS :

1. Remove hardware from box and sort by size.
2. Please check to see that all hardware and parts are present prior to start of assembly.
3. Please follow attached instruction in the same sequence as numbered to assure fast & easy assembly.



Warning !

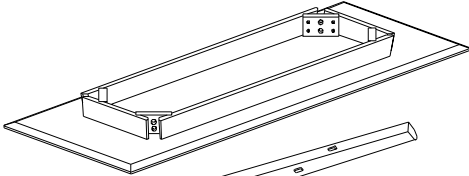
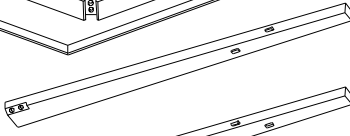
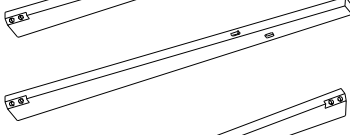
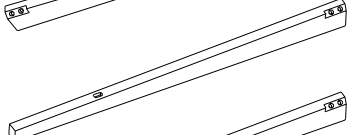

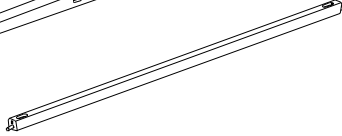
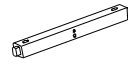

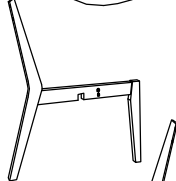
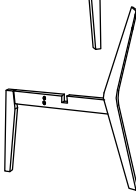
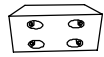

1. Don't attempt to repair or modify parts that are broken or defective. Please contact the store immediately.
2. This product is for home use only and not intended for commercial establishment.



ASSEMBLY TIME

45 MINUTES

PARTS IDENTIFICATION:

A		TABLE TOP	1PC
B		TABLE LEG (WITH "B" MARK)	1PC
C		TABLE LEG (WITH "C" MARK)	1PC
D		TABLE LEG (WITH "D" MARK)	1PC
E		TABLE LEG (WITH "E" MARK)	1PC
F		LONG TRESTLE BAR	1PC
G		SHORT TRESTLE BAR	2PCS
H		BACK REST	1PC
I		UPPER LEG FRAME	1PC
J		LOWER LEG FRAME	1PC
K		WOOD CLEAT	1PC
L		CUSHION SEAT	1PC

ASSEMBLY TIPS :

1. Remove hardware from box and sort by size.
2. Please check to see that all hardware and parts are present prior to start of assembly.
3. Please follow attached instruction in the same sequence as numbered to assure fast & easy assembly.



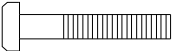







Warning !


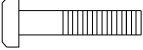
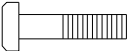




1. Don't attempt to repair or modify parts that are broken or defective. Please contact the store immediately.
2. This product is for home use only and not intended for commercial establishment.

HARDWARE IDENTIFICATION:

TABLE

1		ALLEN WRENCH	1PC
2		LONG BOLT	8PCS
3		SHORT BOLT	2PCS
4		SMALL LOCK WASHER	2PCS
5		BIG LOCK WASHER	8PCS
6		SMALL FLAT WASHER	2PCS
7		BIG FLAT WASHER	8PCS
8		PAN HEAD SCREW	4PCS

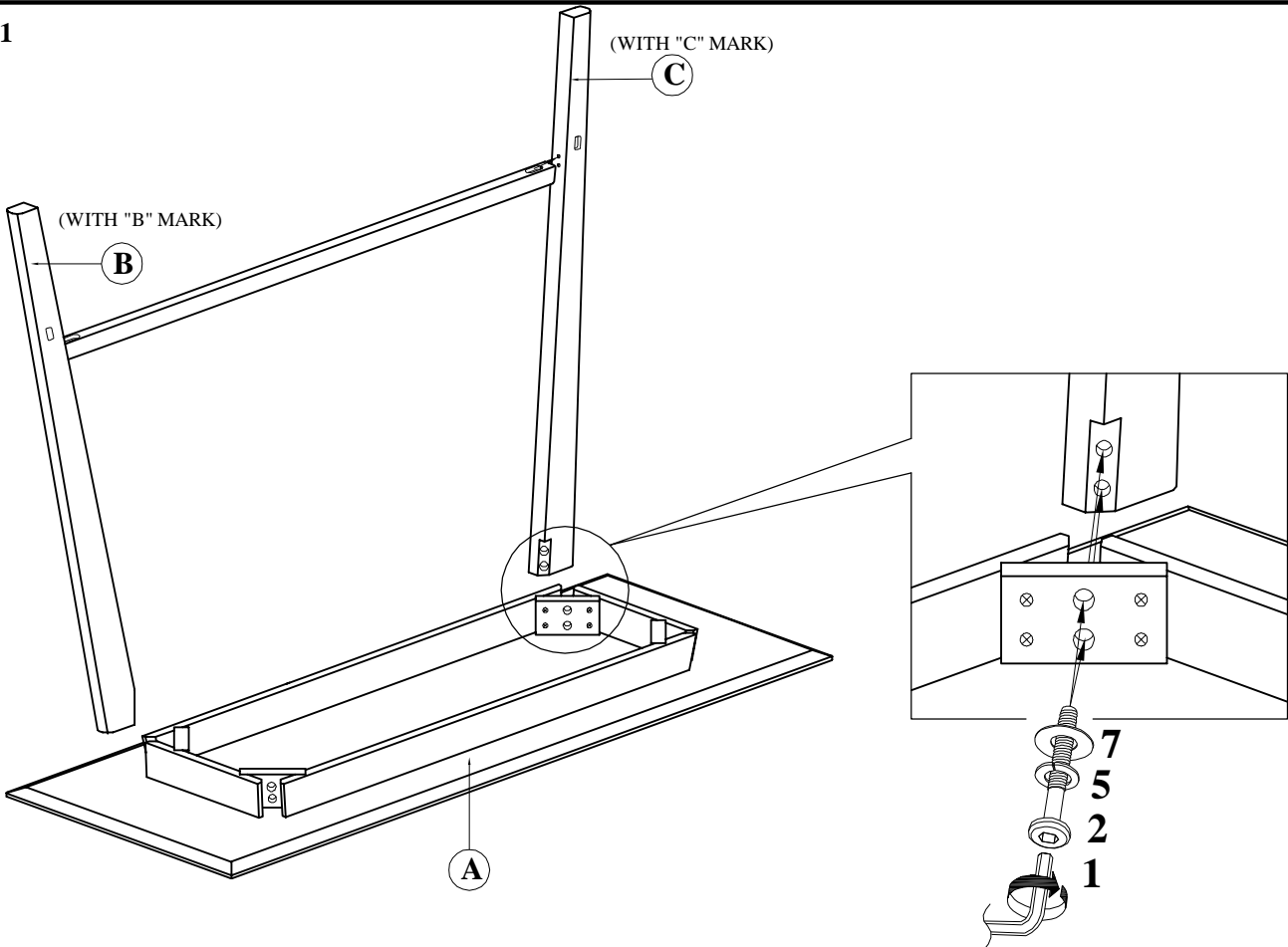
CHAIR

9		LONG BOLT	4PCS
10		MEDIUM BOLT	4PCS
11		SHORT BOLT	4PCS
12		LOCK WASHER	8PCS
13		FLAT WASHER	4PCS
14		WOOD BOLT	1PC
15		WOOD PLUG	4PCS

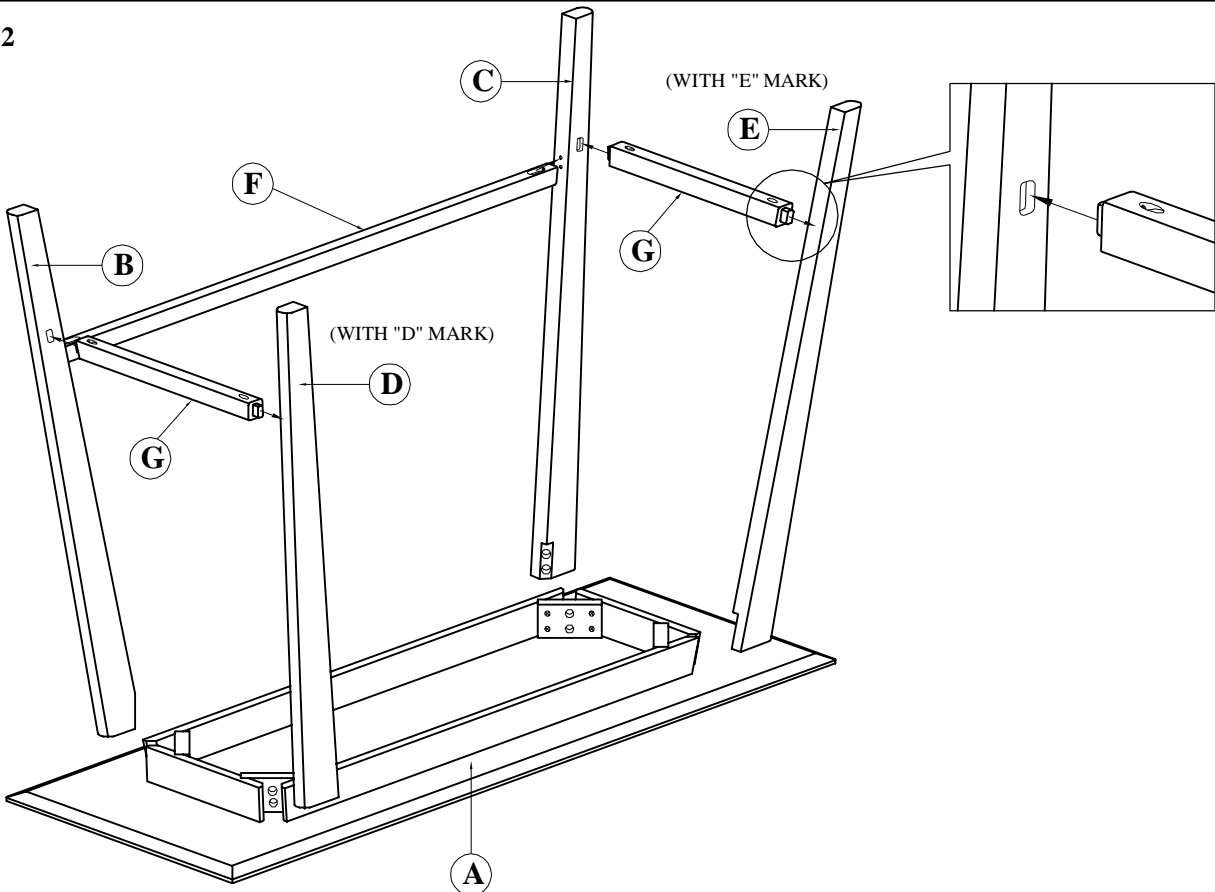
NOTE : PHILLIPS HEAD SCREW DRIVER IS REQUIRED IN THE ASSEMBLY PROCESS; HOWEVER MANUFACTURER DOES NOT PROVIDE THIS ITEM.

ASSEMBLY INSTRUCTIONS

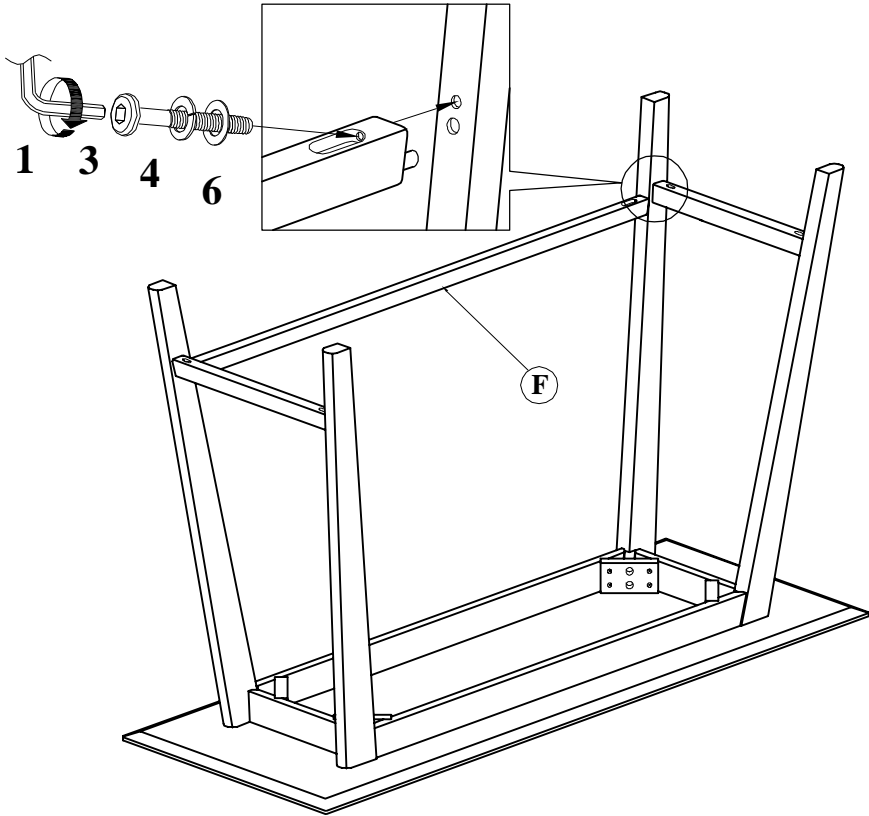
STEP 1



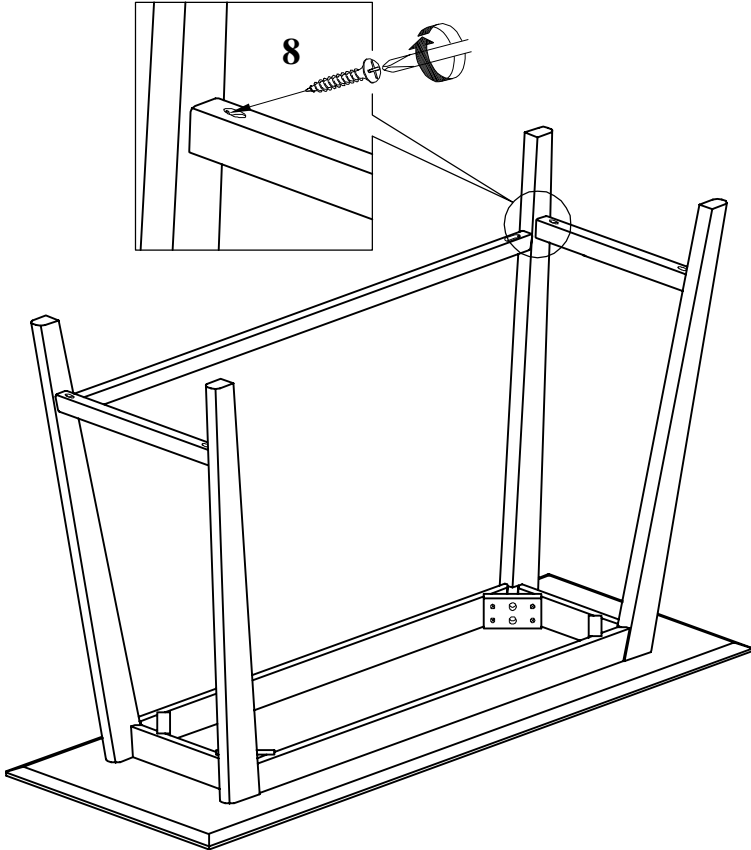
STEP 2



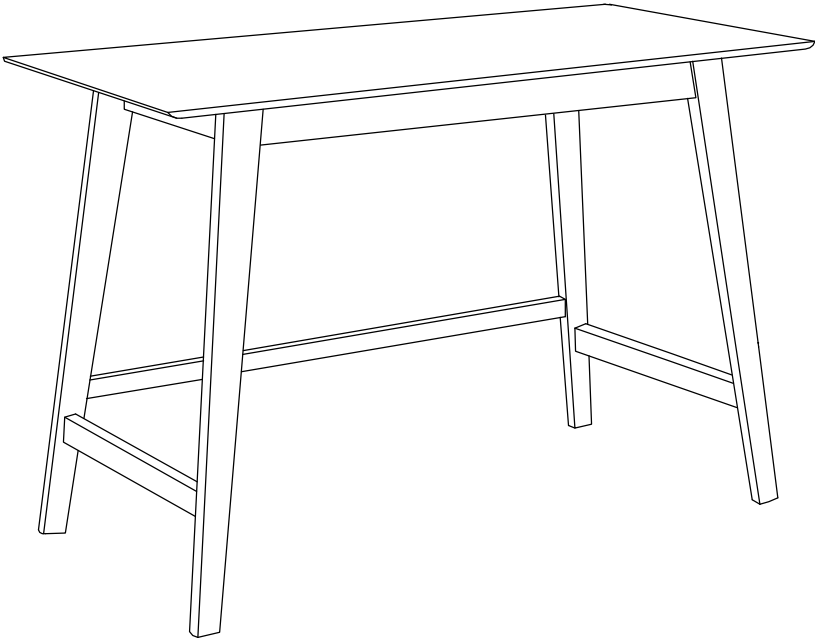
STEP 3



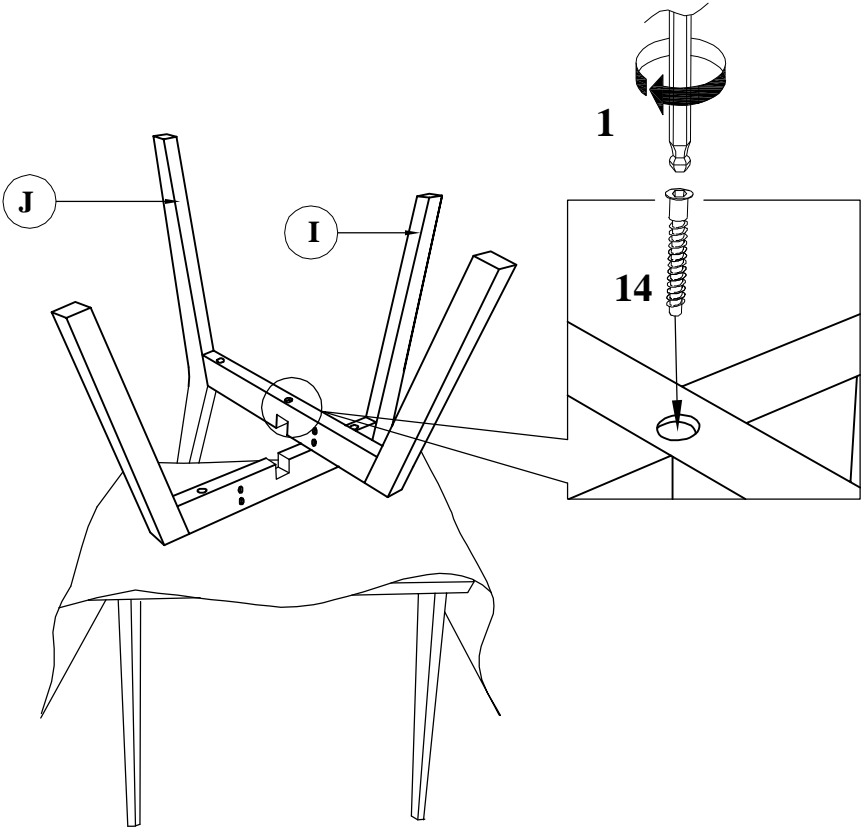
STEP 4



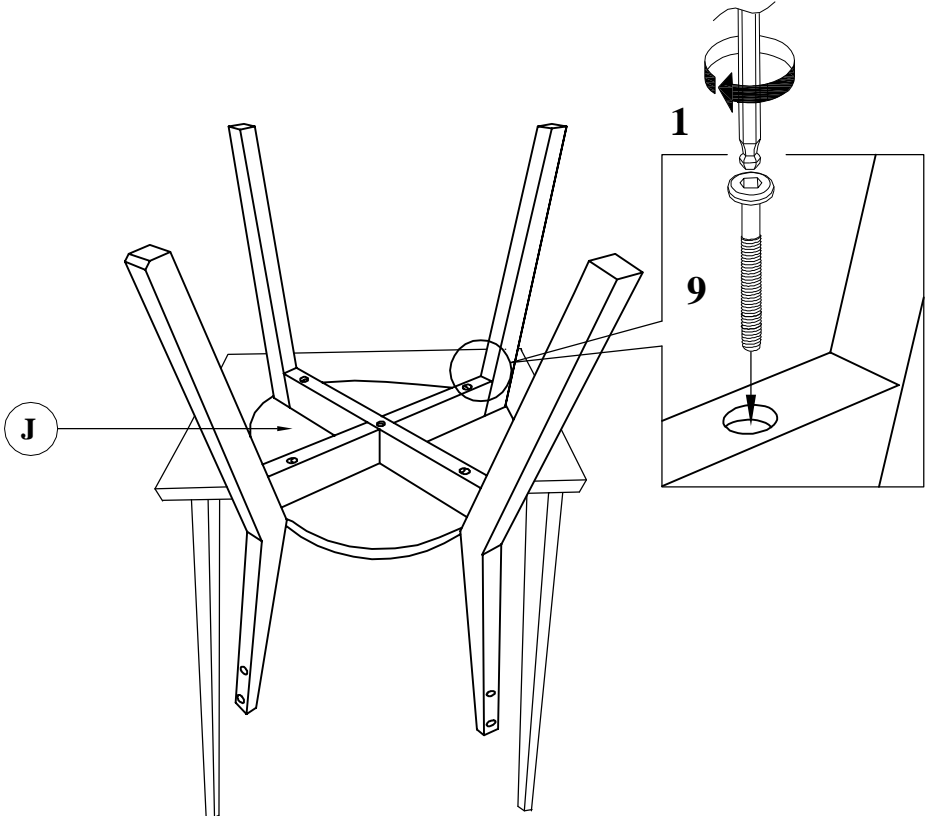
STEP 5



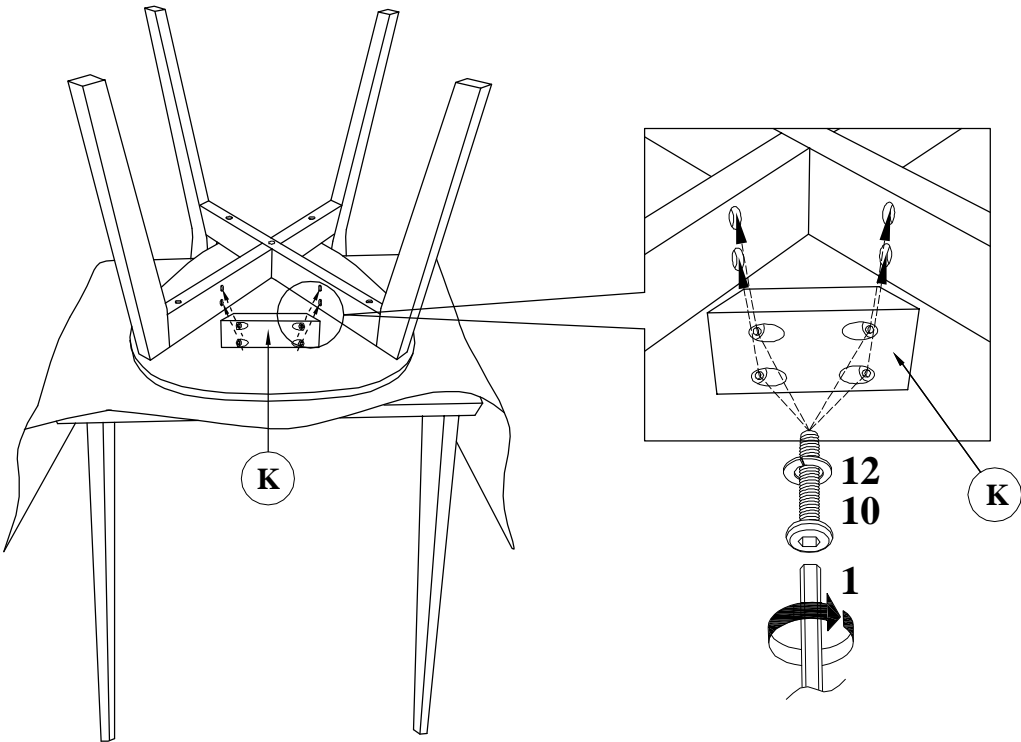
STEP 6



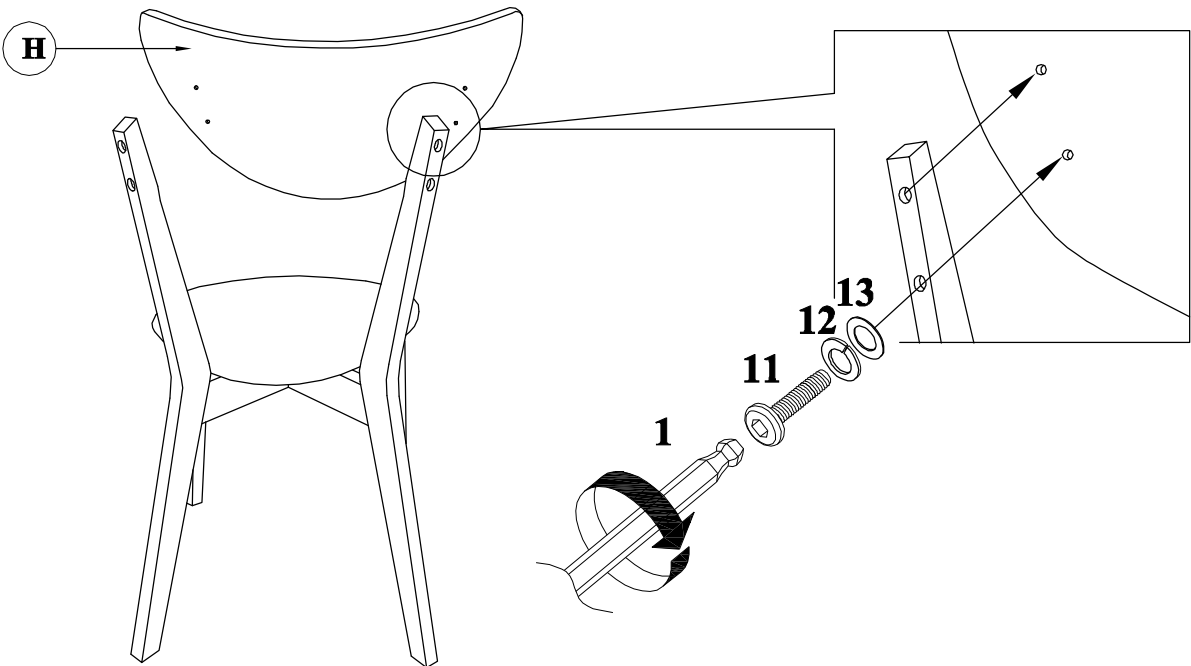
STEP 7



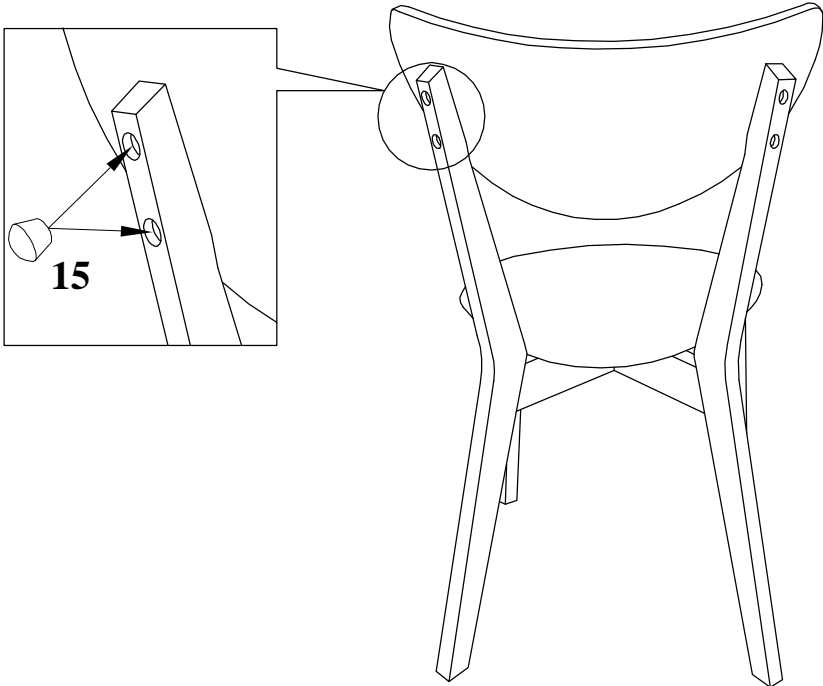
STEP 8



STEP 9



STEP 10



STEP 11

