



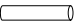
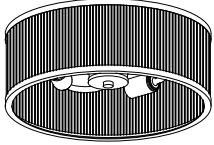


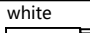
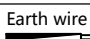


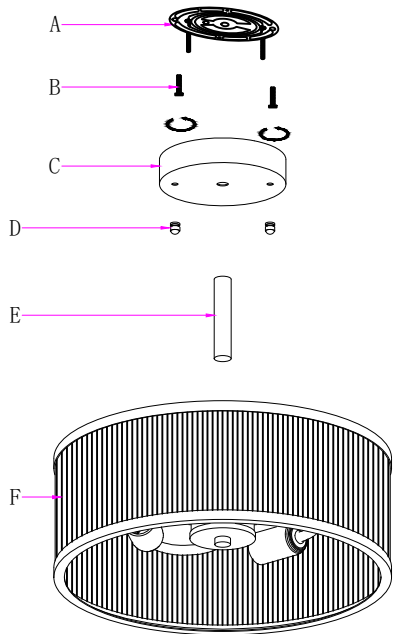
Installation Instruction

Part List and Hardware List

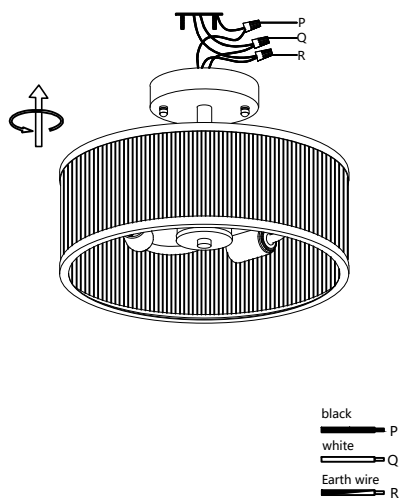
PIECE	PICTURE	DESCRIPTION	QUANTITY
A		Hanging plate	1X
B		Self-tapping screw	2X
C		Ceiling plate	1X
D		M4 nut	2X
E		Round tube	1X
F		Lampshade	1X

PIECE	PICTURE	DESCRIPTION	QUANTITY
O		Wire connector	3X
P		black wire	1X
Q		white wire	1X
R		Earth wire	1X

1

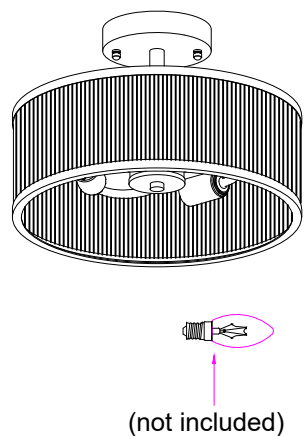


2



Step 2
 1. Connect the wires and your home wires to the (O) wire connector (black to black, white to white, earth to earth).
 2. Use (D) M4 nuts to fix the (C) lamp body on the ceiling.

3



Step 3:
 Finally, install the E12 light bulb (not included) to complete the installation.

Step 1:

1. Use (B) self-tapping screws to fix the (A) hanging plate on the ceiling.
2. Use the (E) round tube to connect the (F) lampshade and (C) ceiling plate.