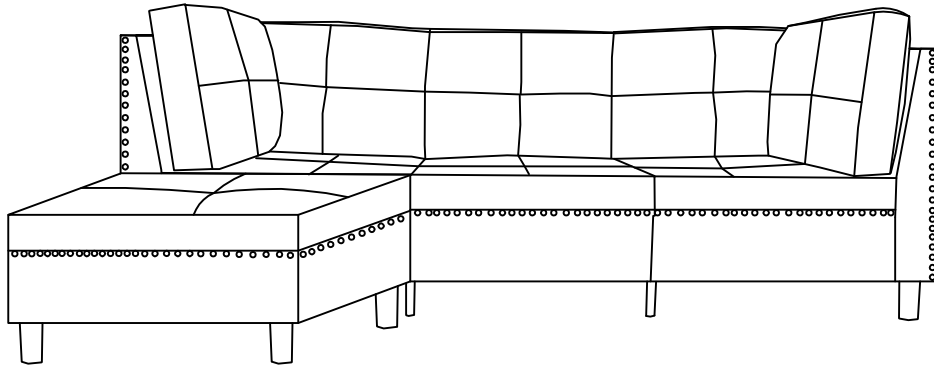


# ASSEMBLY INSTRUCTIONS



## Attention

The entire set is shipped in **TWO packages (Box A & B)**. During the transportation process, they might arrive at different times. If you haven't received the second package within two days after the first one arrives, please contact us. Don't worry — we will investigate the issue and get back to you within 24 hours.

1. During installation, we recommend having two people work together for assistance and to make the process easier.
2. When tightening the screws, we recommend aligning all screws first and tightening them halfway. Once all screws are aligned, tighten them fully.
3. Please be careful when using a knife to unpack to avoid accidentally scratching the product surface.
4. The seat cushions and backrests have been vacuum-compressed. After unpacking, let them sit for a while or gently pat them to help restore their fullness.
5. We value your experience. If you encounter any issues with delivery, assembly, usage, or after-sales service, please contact us promptly. We offer a one-year warranty and lifelong customer service.
6. Keep children away until the installation is complete. This product contains small parts (such as screws and accessories) that could pose a choking hazard. Please prioritize safety.

## Before install it, please see these attentions

### FAQ

Q1: The frame base and screw can't be installed or the hole position is not, which makes it impossible to install or difficult to install.

A1: Please insert all screws into holes **first**, don't tighten them until they are all aligned. If you still can't assemble it, kindly send some pictures or video to us for help.

Q2: Do not know how to use the parts D-R and D-L to connect the panel.

A2: Regarding this part of the connection, you need to start by screwing the screws into the screw holes of the panel, but be careful not to tighten them all the way, we need to snap in the extra screws into the D-L and D-R parts, and tighten the screws all the way at the end after they are fully seated.

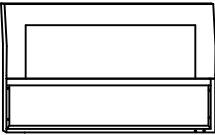
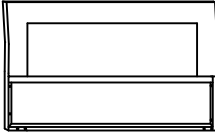
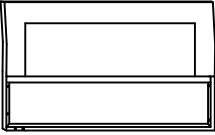
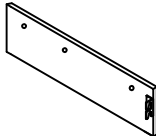
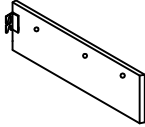
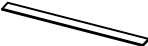
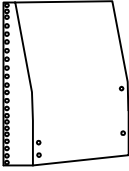
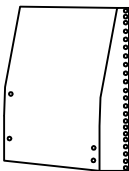








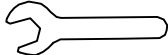



Q3: Some parts were damaged when arrived, such as Part Z or Part a.

A3: Please send clear photos of damaged parts to us as attachment via message, we will check and offer the best solution for you asap pls don't worry.

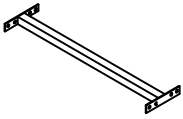
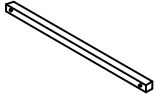
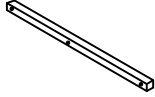
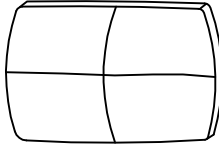
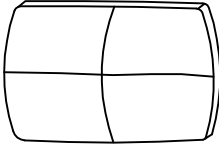
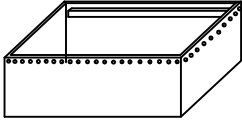
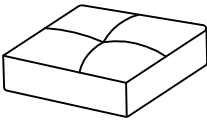
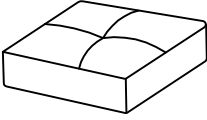
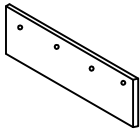
Q4: Are there multiple permutations?

A4 : Yes. This combination sofa of ours can be either left L-type or right L-type, which totally depends on the specific scenario of the customer's placement. Generally most of the selected installations are right L-type (when you sit down, the long sofa bed is on your right side, we call it right L-type), but you can choose according to your own preferences, if you have any questions, you are welcome to contact us in time.

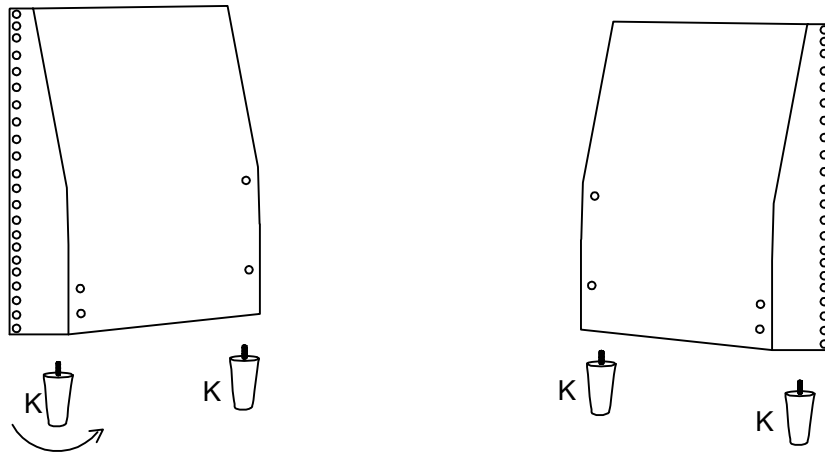
# PARTS LIST - A

<p>A</p>  <p>Left Back Frame 1pc</p>	<p>A-1</p>  <p>Middle Back Frame 1pc</p>	<p>A-2</p>  <p>Right Back Frame 1pc</p>	<p>B</p>  <p>Left Front board 1pc</p>	<p>B-2</p>  <p>Right Front board 1pc</p>
<p>C</p>  <p>Rail 18pcs</p>	<p>D</p>  <p>Left Arm 1pc</p>	<p>D-1</p>  <p>Right Arm 1pc</p>	<p>H</p>  <p>Support Leg 4pcs</p>	<p>K</p>  <p>Leg 8pcs</p>
<p>M</p>  <p>M8*60 8PCS</p>	<p>N</p>  <p>M8*35 10PCS</p>	<p>O</p>  <p>M8*16 16PCS</p>	<p>P</p>  <p>Washer 12PCS</p>	<p>Q</p>  <p>M8 X 1PC</p>
<p>X</p>  <p>M8*16 4PCS</p>	<p>R</p>  <p>1PC</p>	<p>S</p>  <p>Nut 4PCS</p>	<p>T</p>  <p>M6*30 18PCS</p>	<p>U</p>  <p>M6 X 1PC</p>

# PARTS LIST - B

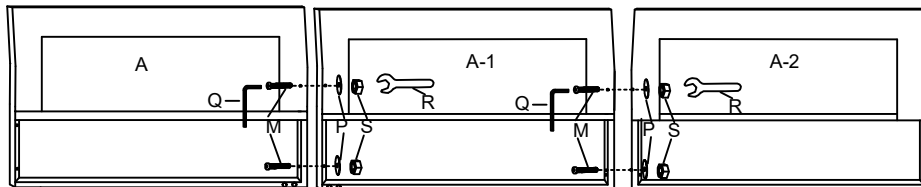
<p>E</p>  <p>Middle Connecting rod 2PCS</p>	<p>F</p>  <p>Connecting rod 2PCS</p>	<p>G</p>  <p>Connecting rod 2PCS</p>	<p>I</p>  <p>Back cushion 3pcs</p>	<p>J</p>  <p>Side cushion 2pcs</p>
<p>Z</p>  <p>Bench frame 1pc</p>	<p>L</p>  <p>Foot cushion 1pc</p>	<p>Y</p>  <p>Seater cushion 3pcs</p>	<p>B-1</p>  <p>Middle Front board 1pc</p>	

## STEP 1



## STEP 2

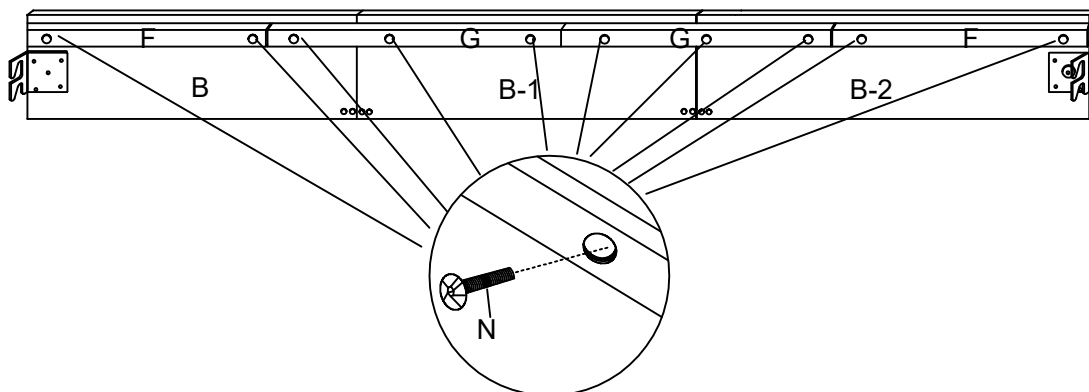
- M M8\*60 4PCS
- P WASHER 4PCS
- S NUT 4PCS



## STEP 3

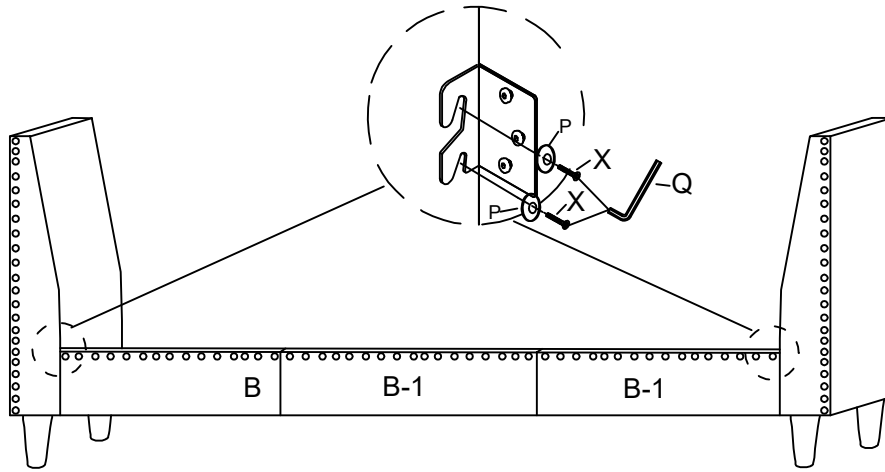
Assemble the connecting rod(C) onto the front board.

- N M8\*35 10PCS



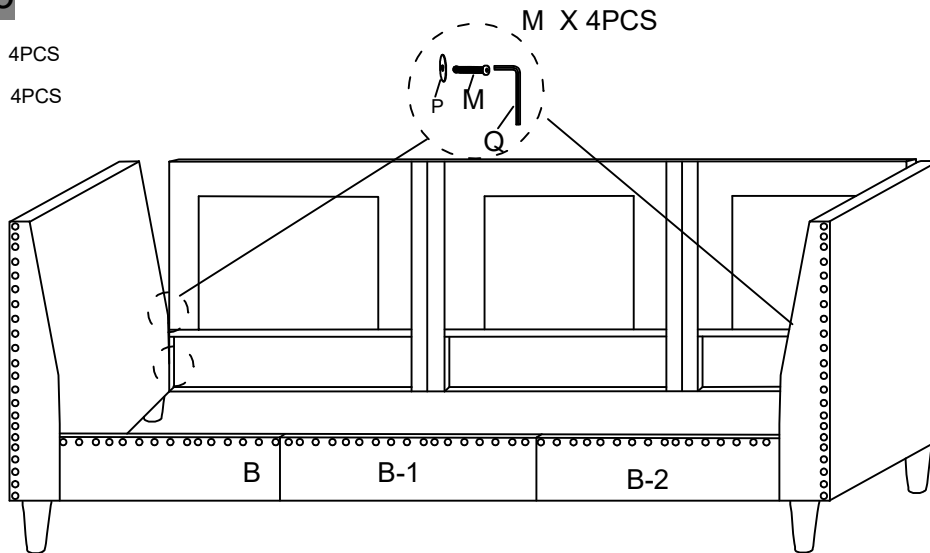
## STEP 4

- X M8\*16 4PCS
- P WASHER 4PCS

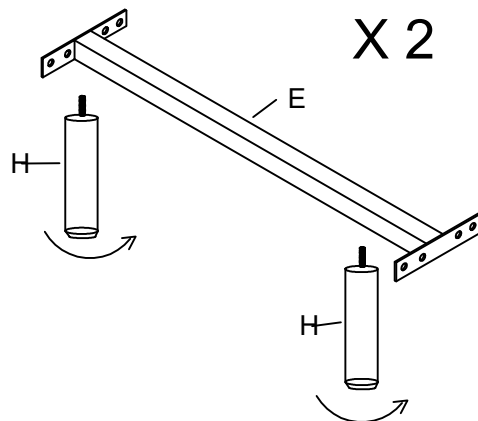


## STEP 5

- M M8\*60 4PCS
- P WASHER 4PCS

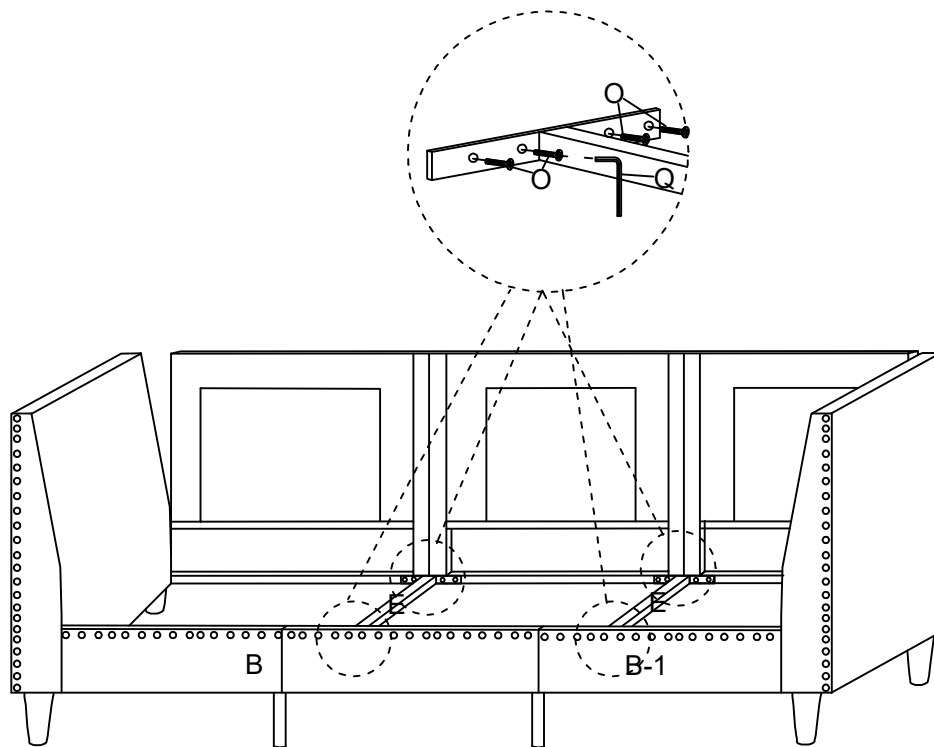


## STEP 6



## STEP 7

O M8\*16 16PCS

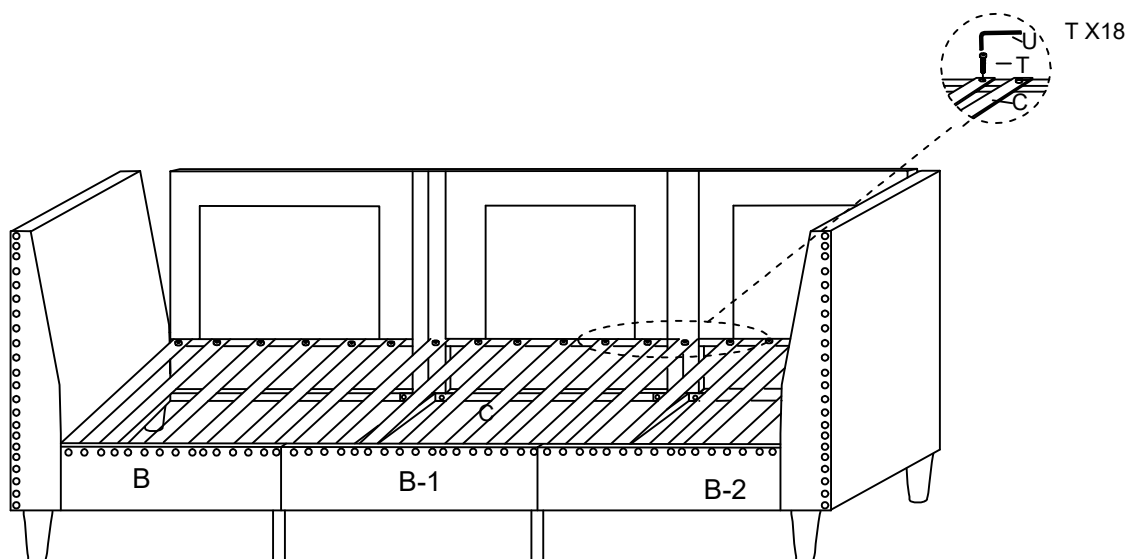


## STEP 8

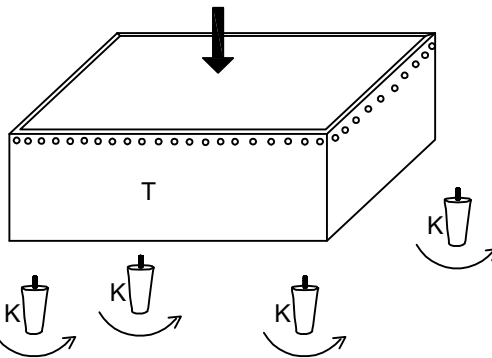
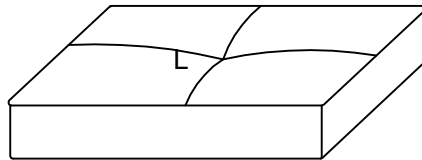
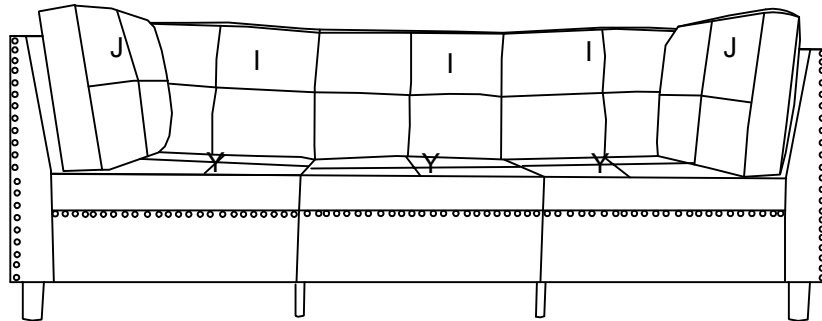
T M6\*30 18PCS

C Rail 18pcs

Place the 18pcs rails(C) on seater frame sections in the corresponding holes at the correct positions, and then fix with screws.



STEP 9



FINISHED

