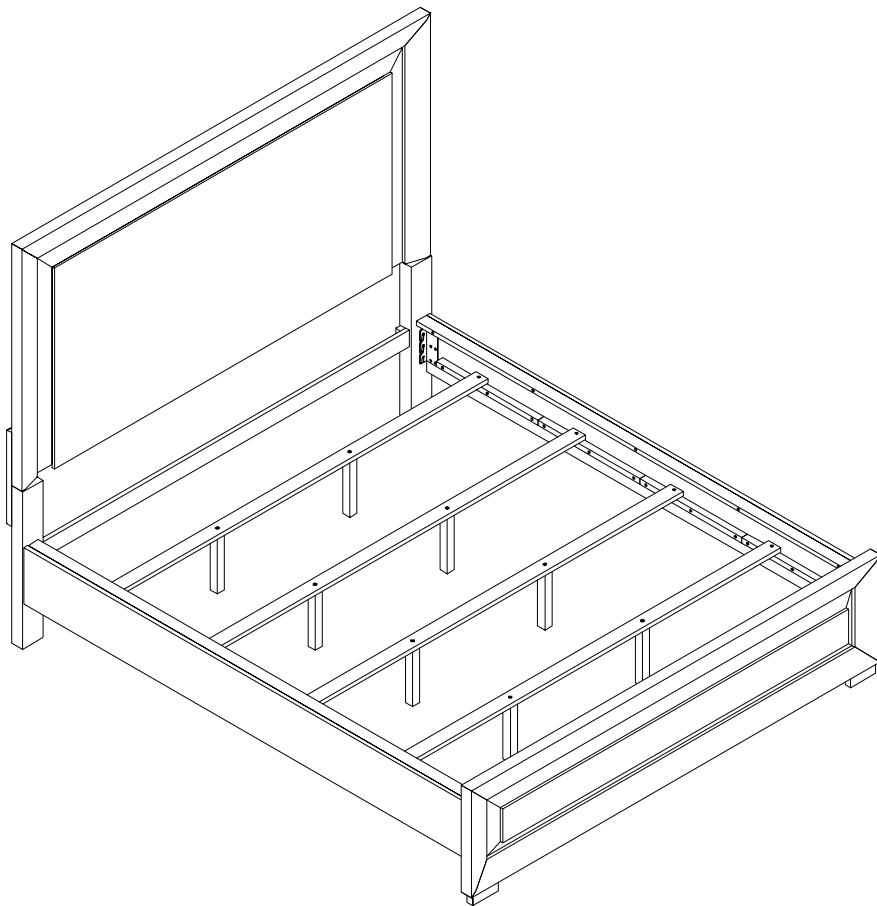


ASSEMBLY INSTRUCTIONS



TOOLS REQUIRED



Allen Wrench

(Included)



Phillips
Screwdriver

(Not Included)



3 - People
Recommended

ASSEMBLY RATING



EASY —————> DIFFICULT

The Assembly Rating is a 5-point system showing the level of effort needed to assemble a specific product.



CHECK BEFORE STARTING

Are you missing anything?

Double-check all parts, hardware and accessories listed on Page 6 are accounted for.

Check out our Quick Tips!

We recommend reviewing the pre-assembly handouts. Even experts need a refresher now and then!

Should we send any replacements?

Are there any irregularities or flaws in the parts? We can send replacements!

Prep Time!

Please review the assembly instructions and all diagrams prior to assembling. Set up your workspace by laying the parts and hardware out separately, then begin!

PRE ASSEMBLY INTRODUCTION

We understand building ready-to-assemble furniture can be a challenging experience for some. To help avoid confusion, we have provided some helpful tips that may speed up the process.



Teamwork

ALWAYS have at least two people to help with transporting and assembling the product to avoid potential injury and/or damage.



Suitable Location

Assembling near the area of the intended location is highly recommended.



Sufficient Space

Make sure you have enough space to move around during the assembly.



Avoid Scratches

Use cardboard, blankets or a carpeted area while assembling furniture to prevent scratches.



Flat Surface

Make sure the furniture rests on a flat and level surface with each leg evenly touching the floor.

ASSEMBLY AND CARE ADVICE



FAILURE TO FOLLOW THE GUIDELINES BELOW MAY RESULT IN INJURY AND/OR PROPERTY DAMAGE.



Position each part correctly and insert screws or bolts into their respective holes.



Turn clockwise to tighten and only tighten when step is completed or when instructed to do so.



Use the appropriate hand tools or power tools for assembly. Select steps, such as tightening screws and/or bolts, may require hand tools to avoid causing damage during assembly.



Save the instructions and store any supplied tools for later maintenance.



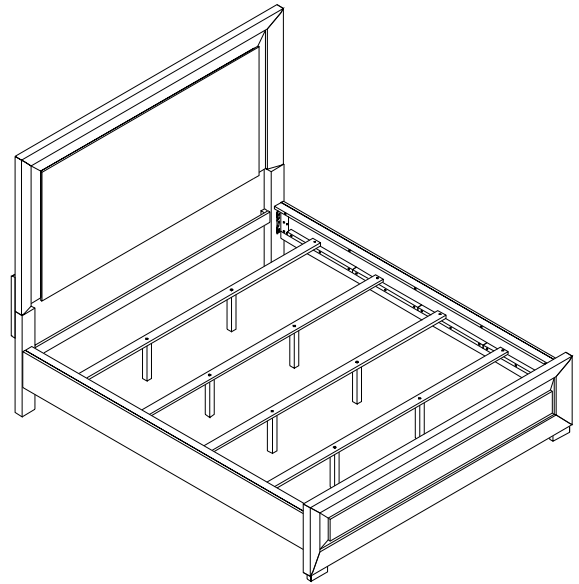
After two weeks, check and tighten any loose hardware and repeat again every six months thereafter.

IT IS THE USER'S RESPONSIBILITY TO MAINTAIN THE FURNITURE. THE HARDWARE MAY LOOSEN OVER TIME AND MAY CAUSE THE FURNITURE TO BE WOBBLY AND UNABLE TO SUPPORT ITS INTENDED WEIGHT CAPACITY. THIS MAY LEAD TO COLLAPSE AND MAY CAUSE SERIOUS INJURY.

BED

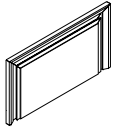


- Please keep instructions for future reference.
- Check the quantity and irregularity of parts and hardware before you start.



PARTS

#1 1pc



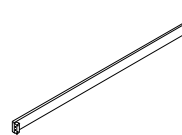
Headboard

#2 2pcs



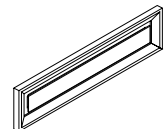
HB Leg (R&L)

#3 1pc



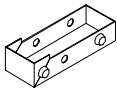
HB Bottom Rail

#4 1pc



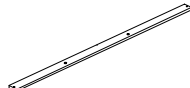
Footboard

#5 2pcs



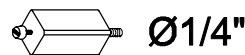
FB Leg (R&L)

#6 4pcs



Slat

#7 8pcs



Support leg
35x35x270mm

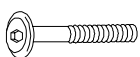
#8 2pcs



Side rail

HARDWARE

#A 16pcs



Bolt
Ø1/4" x 1-3/4"

#B 16pcs



Lock Washer
Ø1/4"x 10mm

#C 16pcs



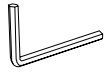
Flat Washer
Ø1/4"x 13mm

#D 2pcs



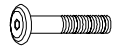
Allen Key M4

#E 1pc



Allen Key M4

#F 16pcs



Bolt
Ø5/16" x 1"

#G 4pcs



Lock Washer
Ø5/16" x 13mm

#H 4pcs



Flat Washer
Ø5/16" x 19mm

#I 8pcs

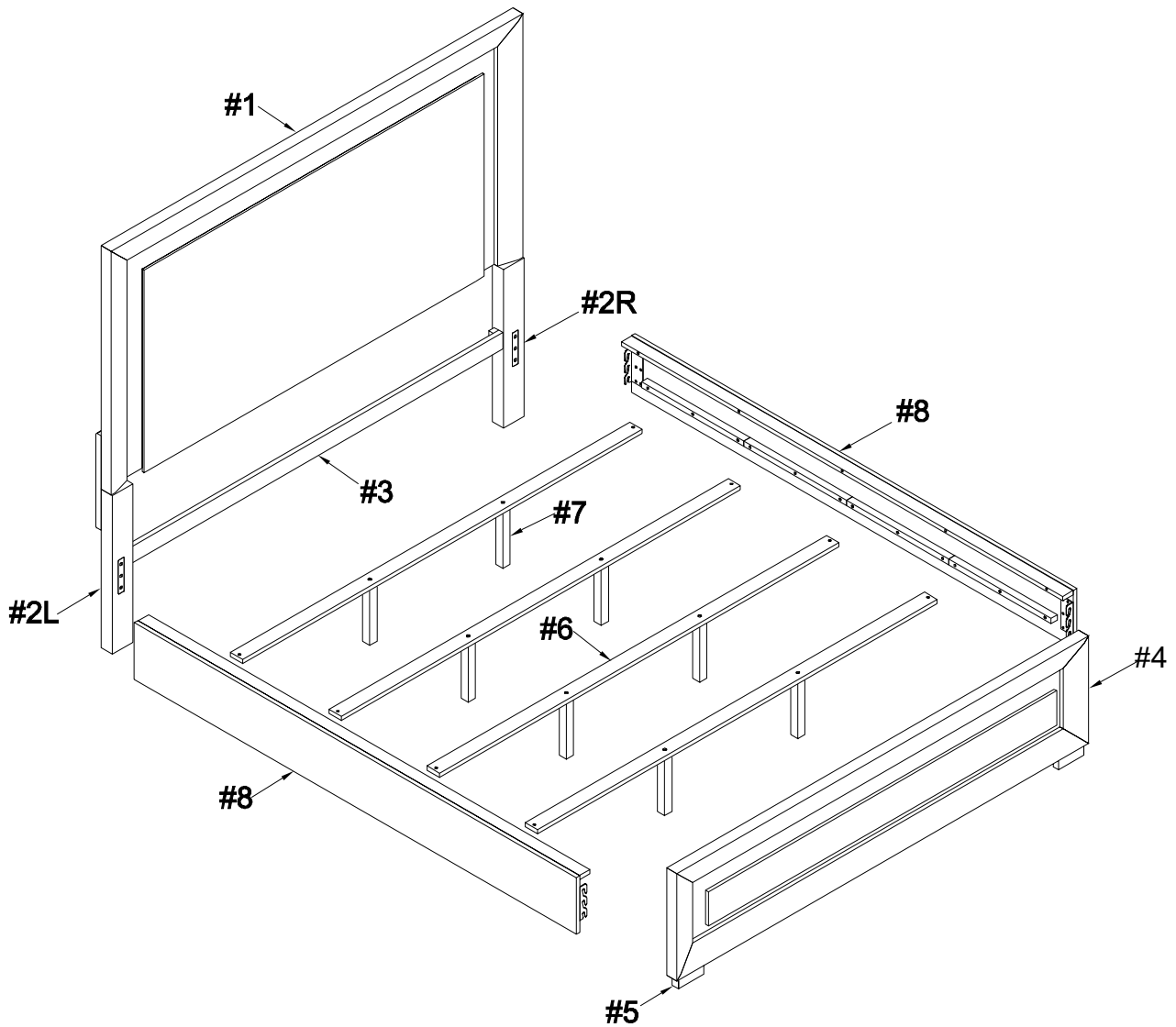


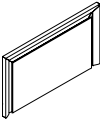






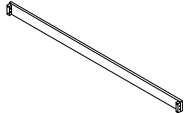
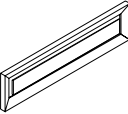





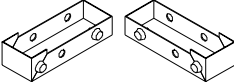
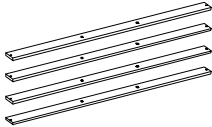
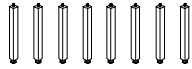



Screw #4 x 30mm

#J 1Set



Plug-in-Power Supply

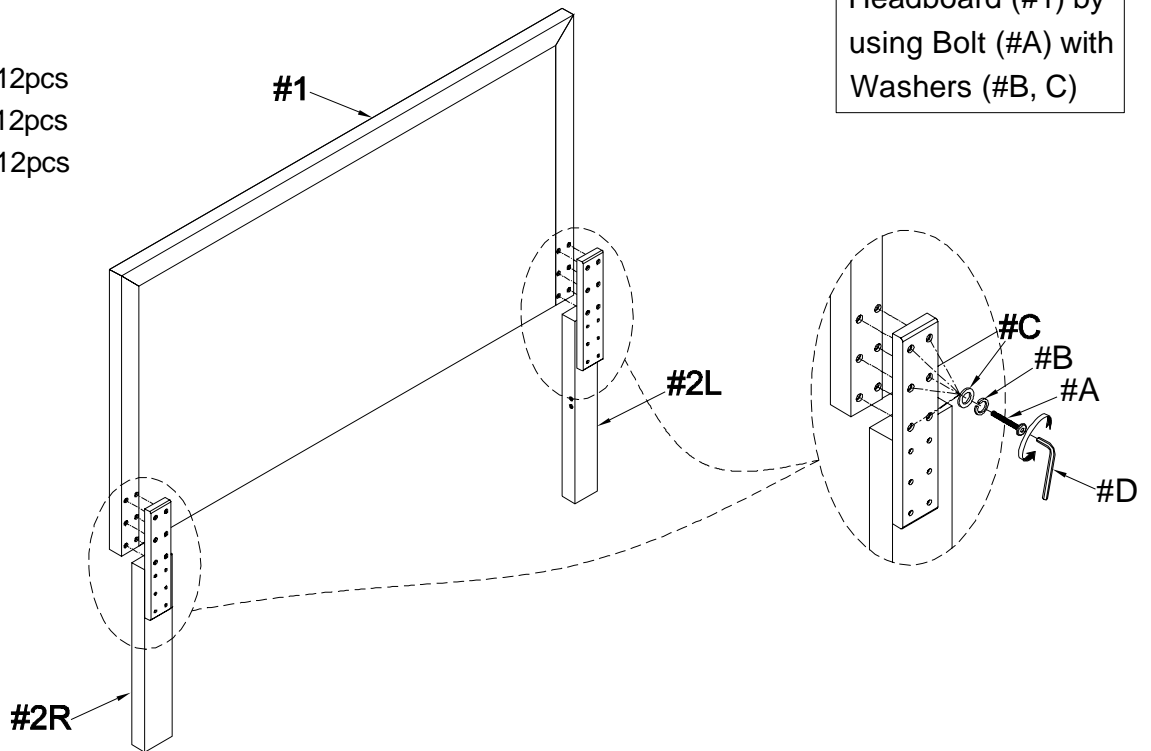


| Carton | Disignation | Part | | Hardware |
|--------|-------------------------------|------|--|--|
| | Headboard | #1 |  |  #A x 16pcs  #B x 16pcs  #C x 16pcs  #D x 1pc  #J x 1pc |
| | Headboard Leg (L&R) (2PCS) | #2 |  | |
| | Headboard bottom rail | #3 |  | |
| | Footboard | #4 |  |  #F x 4pcs  #G x 4pcs  #H x 4pcs  #E x 1pc  #I x 8pcs |
| | FB Leg (R&L) (2PCS) | #5 |  | |
| | Slat (4PCS) | #6 |  | |
| | Support leg (8PCS) | #7 |  | |
| | Side rail (2PCS) | #8 |  |  #D x 1pc  #F x 12pcs |

ASSEMBLY INSTRUCTIONS

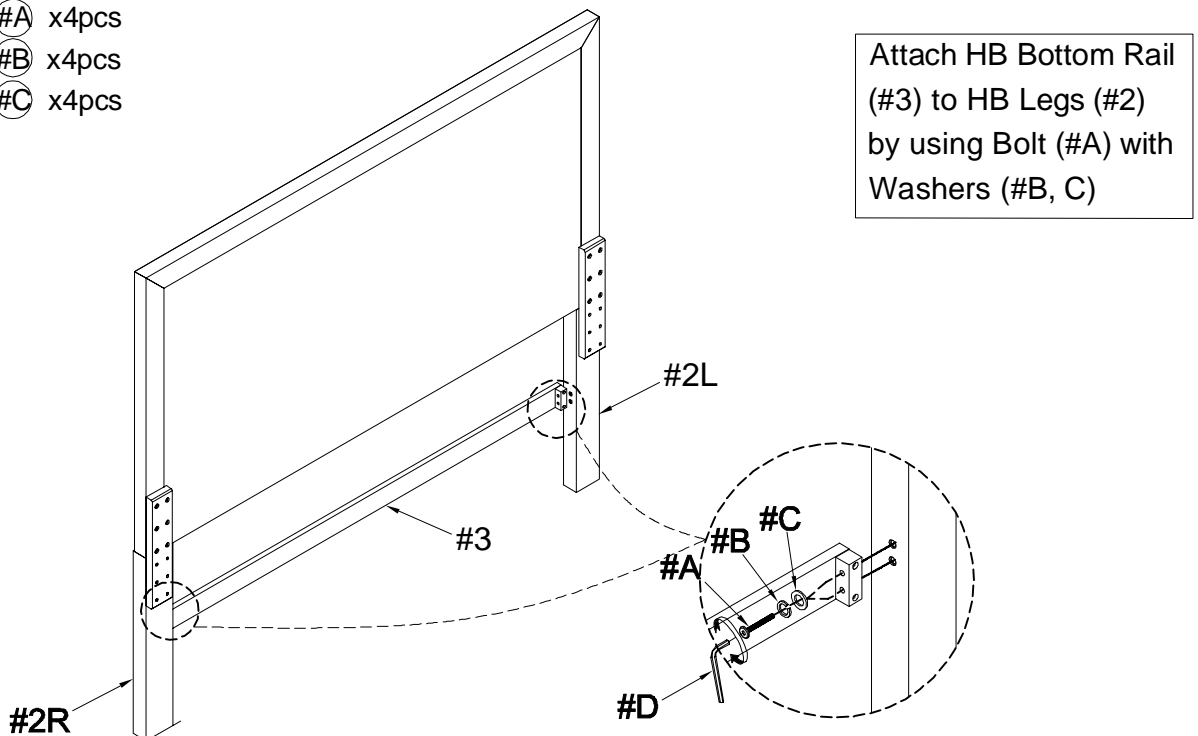
1

- Part #1 x1pc
- Part #2 x2pcs
- Hardware #A x12pcs
- Hardware #B x12pcs
- Hardware #C x12pcs



2

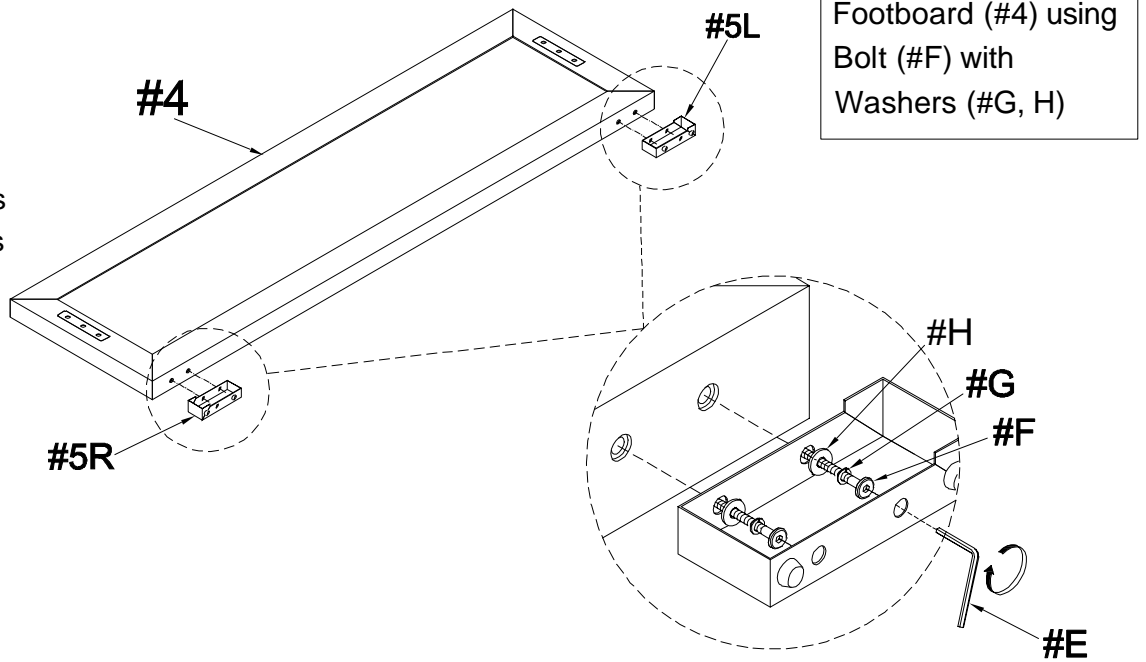
- Part #3 x1pc
- Hardware #A x4pcs
- Hardware #B x4pcs
- Hardware #C x4pcs



ASSEMBLY INSTRUCTIONS

3

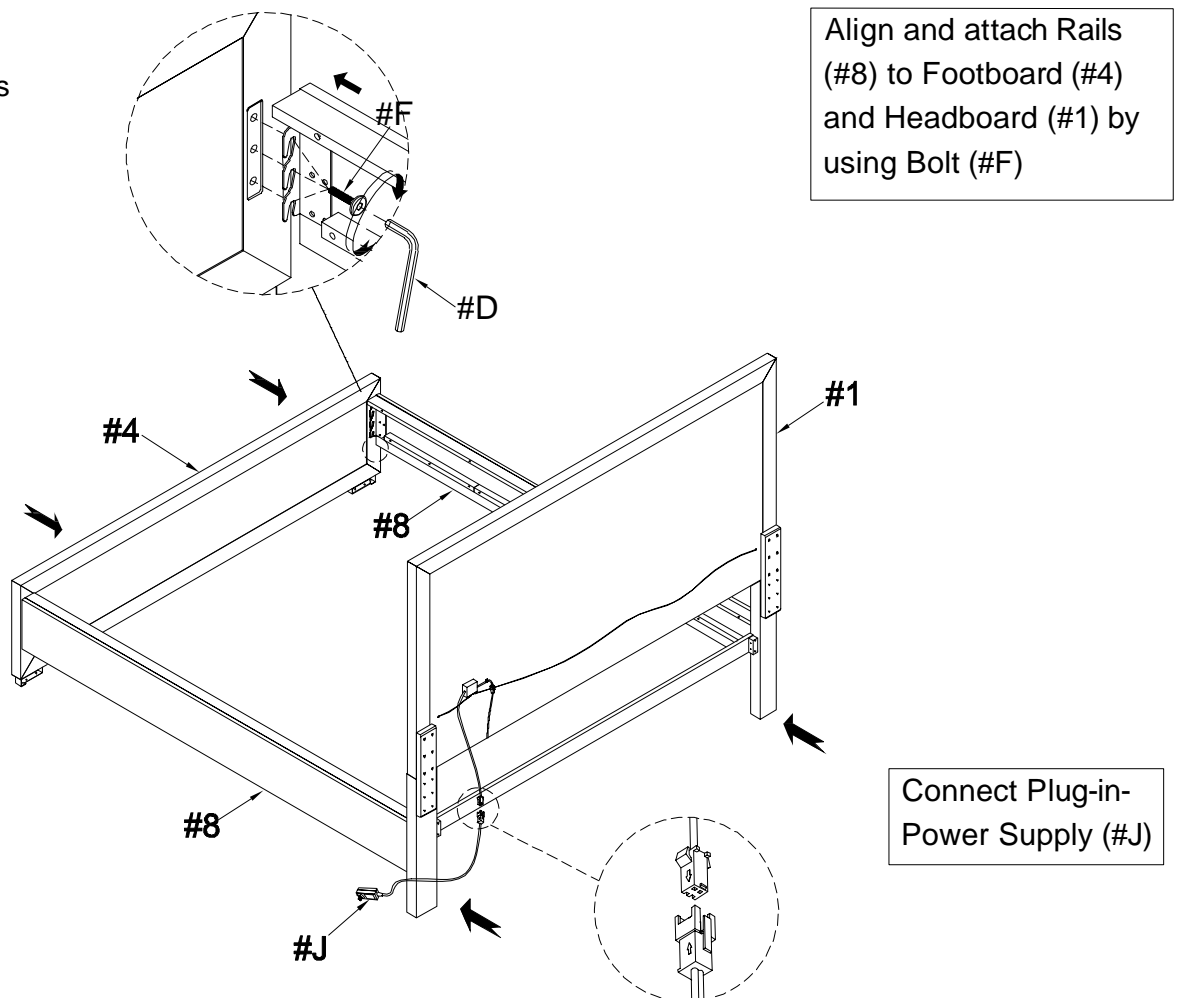
- Part #4 x1pc
- Part #5 x2pcs
- Hardware #F x4pcs
- Hardware #G x4pcs
- Hardware #H x4pcs



Attach FB Leg (#5) to Footboard (#4) using Bolt (#F) with Washers (#G, H)

4

- Part #8 x 2pcs
- Hardware #F x12pcs
- Hardware #J x1Set



Align and attach Rails (#8) to Footboard (#4) and Headboard (#1) by using Bolt (#F)

Connect Plug-in Power Supply (#J)

ASSEMBLY INSTRUCTIONS

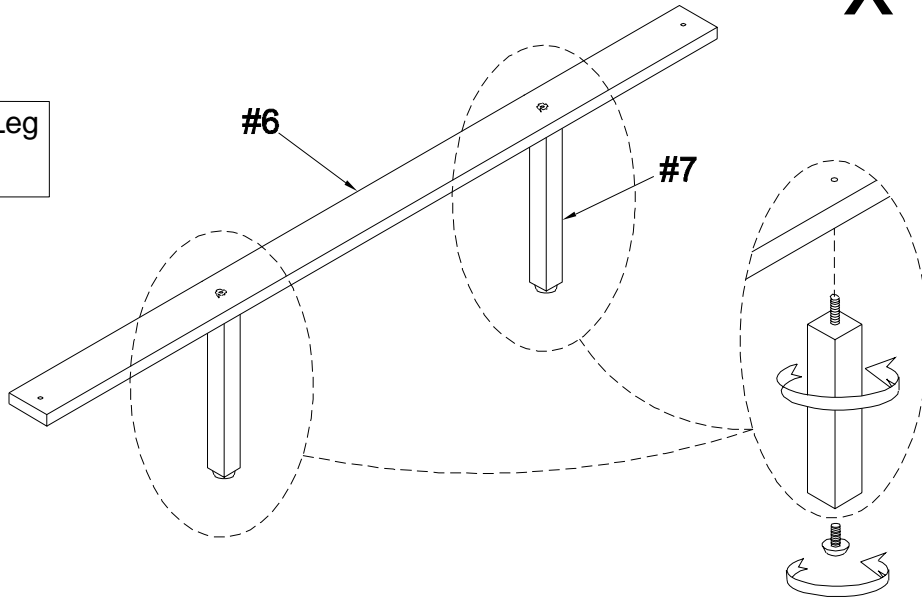
5

Part #6 x1pc

Part #7 x2pcs

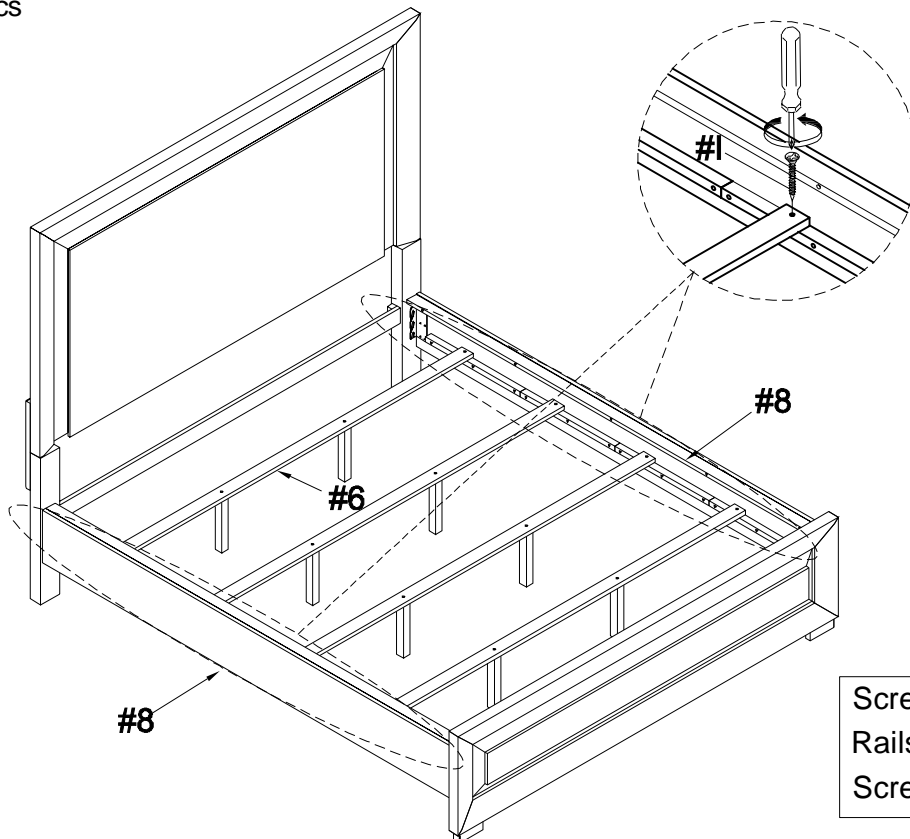
x 4

Screw Support Leg
(#7) to Slat (#6)



6

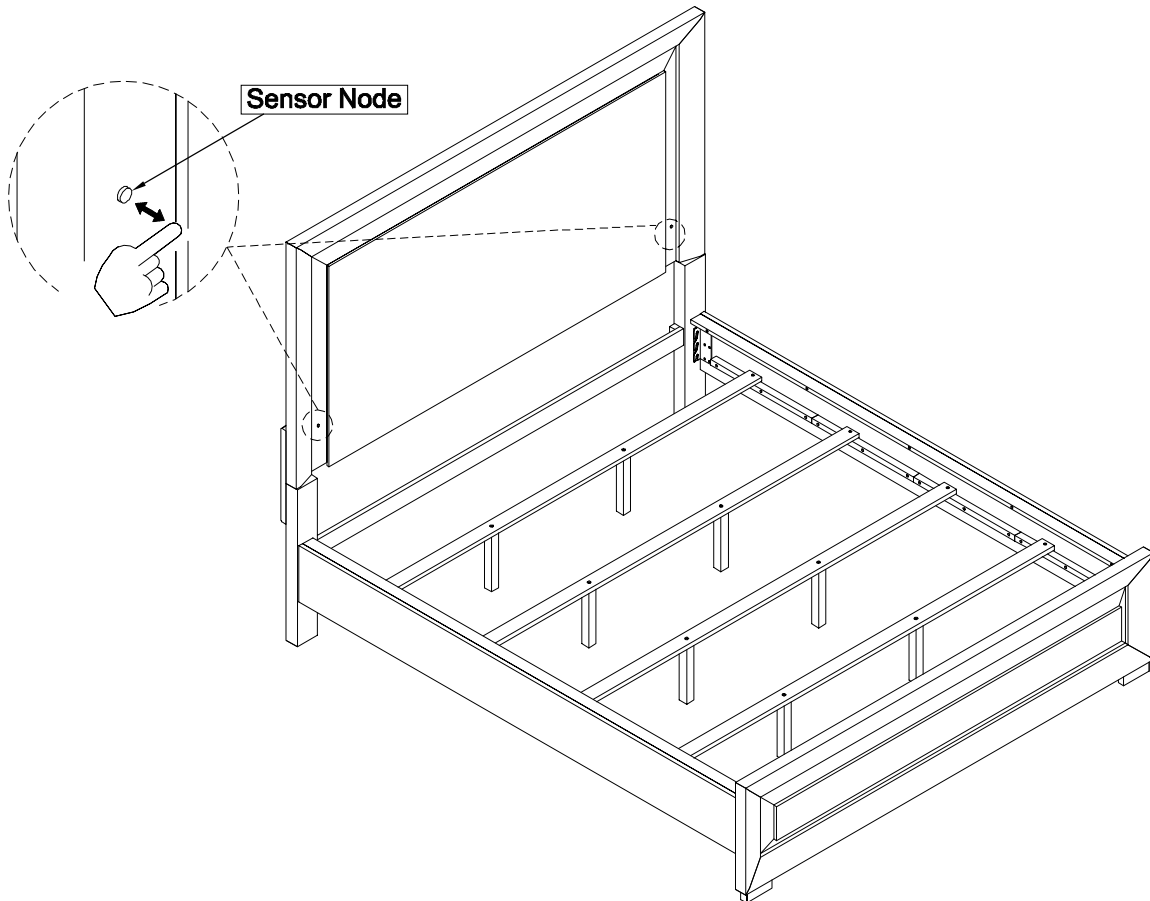
Hardware #1 x8pcs



Screw Slat (#6) unto
Rails (#8) using
Screw (#1)

ASSEMBLY INSTRUCTIONS

7



ASSEMBLY COMPLETED



Please ensure the furniture rests on an even and flat surface. If the product wobbles or feels loose, double-check all bolts and/or screws are properly tightened and secured.



Keep this handy!

Please retain this instruction manual and any order-related information for future reference.

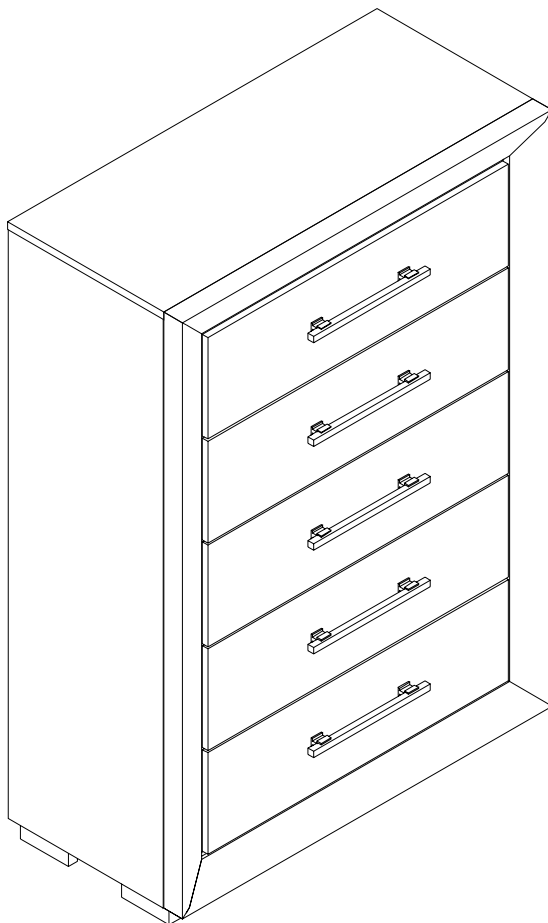


Lift, don't drag!

To avoid damage to product please always LIFT the product when transporting or adjusting the placement.

This product is intended for RESIDENTIAL USE ONLY and not for commercial use.

ASSEMBLY INSTRUCTIONS



TOOLS REQUIRED



Allen Wrench
(Included)



Phillips
Screwdriver
(Not Included)



2 - People
Recommended

ASSEMBLY RATING



EASY —————> DIFFICULT

The Assembly Rating is a 5-point system showing the level of effort needed to assemble a specific product.



CHECK BEFORE STARTING



Are you missing anything?

Double-check all parts, hardware and accessories listed on Page 6 are accounted for.



Check out our Quick Tips!

We recommend reviewing the pre-assembly handouts. Even experts need a refresher now and then!



Should we send any replacements?

Are there any irregularities or flaws in the parts? We can send replacements!



Prep Time!

Please review the assembly instructions and all diagrams prior to assembling. Set up your workspace by laying the parts and hardware out separately, then begin!

PRE ASSEMBLY INTRODUCTION

We understand building ready-to-assemble furniture can be a challenging experience for some. To help avoid confusion, we have provided some helpful tips that may speed up the process.



Teamwork

ALWAYS have at least two people to help with transporting and assembling the product to avoid potential injury and/or damage.



Suitable Location

Assembling near the area of the intended location is highly recommended.



Sufficient Space

Make sure you have enough space to move around during the assembly.



Avoid Scratches

Use cardboard, blankets or a carpeted area while assembling furniture to prevent scratches.



Flat Surface

Make sure the furniture rests on a flat and level surface with each leg evenly touching the floor.

ASSEMBLY AND CARE ADVICE



FAILURE TO FOLLOW THE GUIDELINES BELOW MAY RESULT IN INJURY AND/OR PROPERTY DAMAGE.



Position each part correctly and insert screws or bolts into their respective holes.



Turn clockwise to tighten and only tighten when step is completed or when instructed to do so.



Use the appropriate hand tools or power tools for assembly. Select steps, such as tightening screws and/or bolts, may require hand tools to avoid causing damage during assembly.



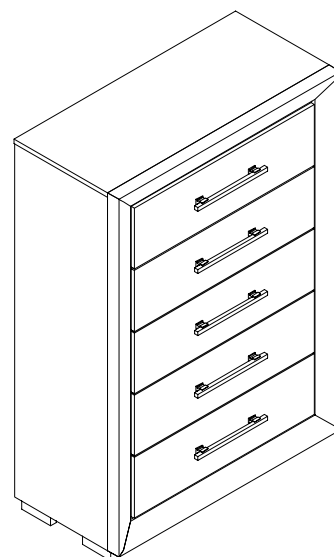
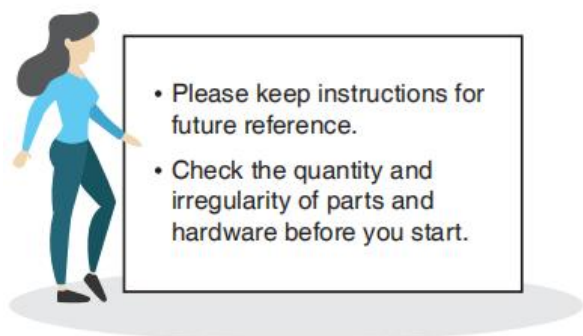
Save the instructions and store any supplied tools for later maintenance.



After two weeks, check and tighten any loose hardware and repeat again every six months thereafter.

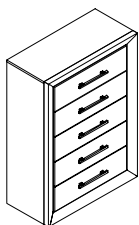
IT IS THE USER'S RESPONSIBILITY TO MAINTAIN THE FURNITURE. THE HARDWARE MAY LOOSEN OVER TIME AND MAY CAUSE THE FURNITURE TO BE WOBBLY AND UNABLE TO SUPPORT ITS INTENDED WEIGHT CAPACITY. THIS MAY LEAD TO COLLAPSE AND MAY CAUSE SERIOUS INJURY.

CHEST



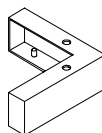
PARTS

#1 1pc



Chest

#2 4pcs



Leg

HARDWARE

#A 8pcs



Bolt $\text{Ø}5/16'' \times 1''$

#B 8pcs



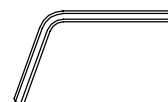
Lock Washer
 $\text{Ø}5/16'' \times 13\text{mm}$

#C 8pcs



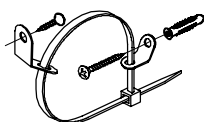
Flat Washer
 $\text{Ø}5/16'' \times 19\text{mm}$

#D 1pc

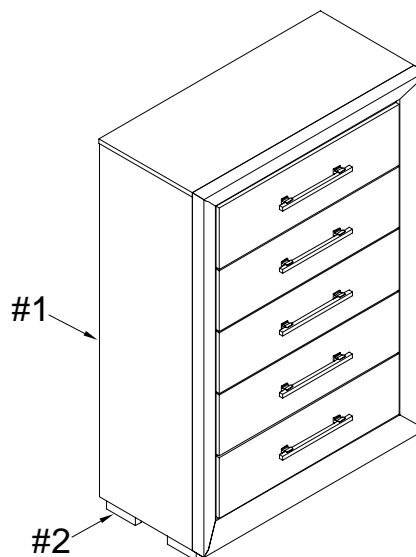


Allen Wrench M4

#E 1Set



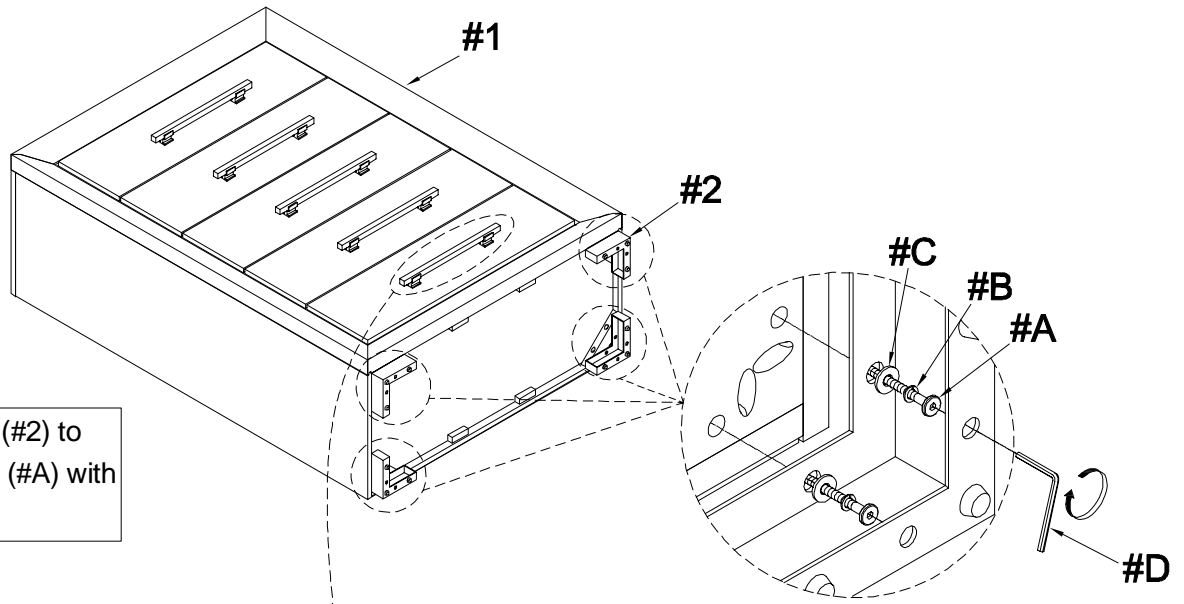
Anti Tip Kit



ASSEMBLY INSTRUCTIONS

1

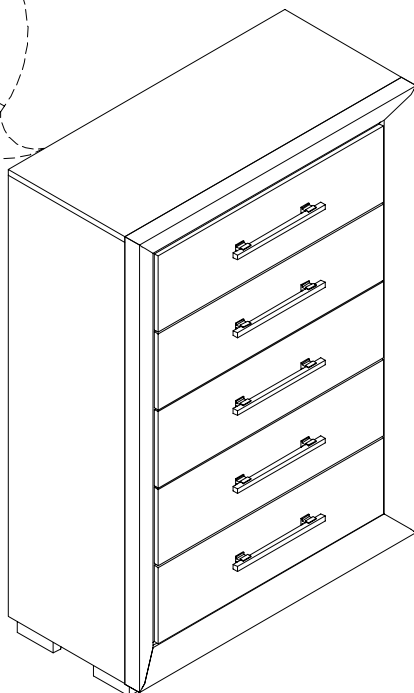
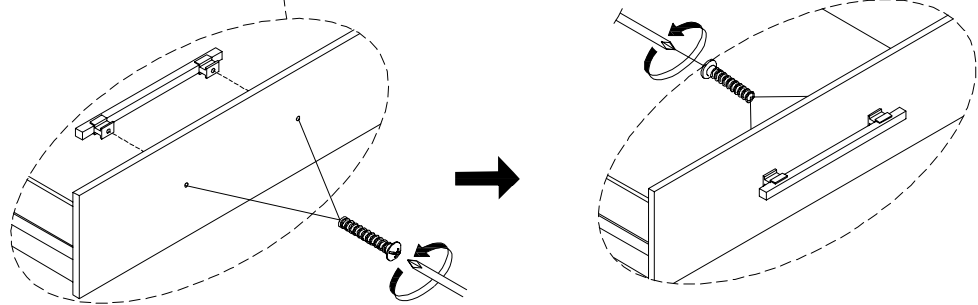
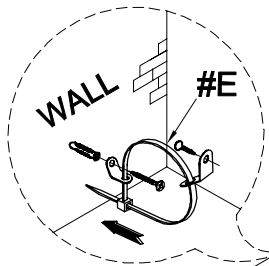
- Part #1 x1pc
- Part #2 x4pcs
- Hardware #A x8pcs
- Hardware #B x8pcs
- Hardware #C x8pcs



Align and attach Leg (#2) to Chest (#1) using Bolt (#A) with Washers (#B, C)

2

- Hardware #E x1Set



ASSEMBLY COMPLETED



Please ensure the furniture rests on an even and flat surface. If the product wobbles or feels loose, double-check all bolts and/or screws are properly tightened and secured.



Keep this handy!

Please retain this instruction manual and any order-related information for future reference.



Lift, don't drag!

To avoid damage to product please always LIFT the product when transporting or adjusting the placement.

This product is intended for RESIDENTIAL USE ONLY and not for commercial use.

ASSEMBLY INSTRUCTIONS

Wall Mounting and Fixing



EXPANSION WALL ANCHOR

Our provided expansion wall anchors are only suitable for masonry walls, such as drywall, plaster or concrete, and are best for holding lightweight items or for anti-tip prevention. If you are unsure of the correct wall anchor to use with the product, please request professional guidance. Liability for product damage or failure due to using the incorrect anchors will fall on the installer.



CHECK BEFORE PROCEEDING

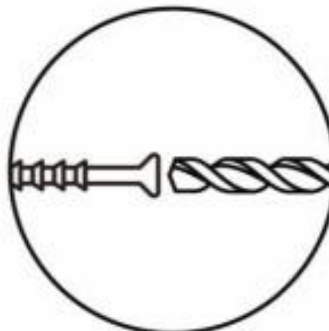
Prior to drilling or hammering, please check for wires or pipes. We recommend using a stud finder to locate a stud, which will offer more appropriate resistance and hold more weight.

QUICK TIPS

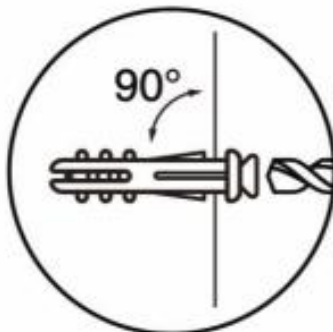
1. If unsure of the proper size, always choose a larger screw and wall anchor.



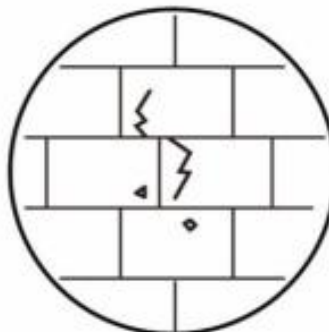
2. Match the drill bit to the wall anchor and hole size.



3. Only drill horizontally. Do not force the drill or enlarge the hole for the wall anchor.



4. Take extra care when drilling into high walls or ceramic tiles. Wall anchors should be a tight fit for the hole. Never use wall anchors in ceilings.

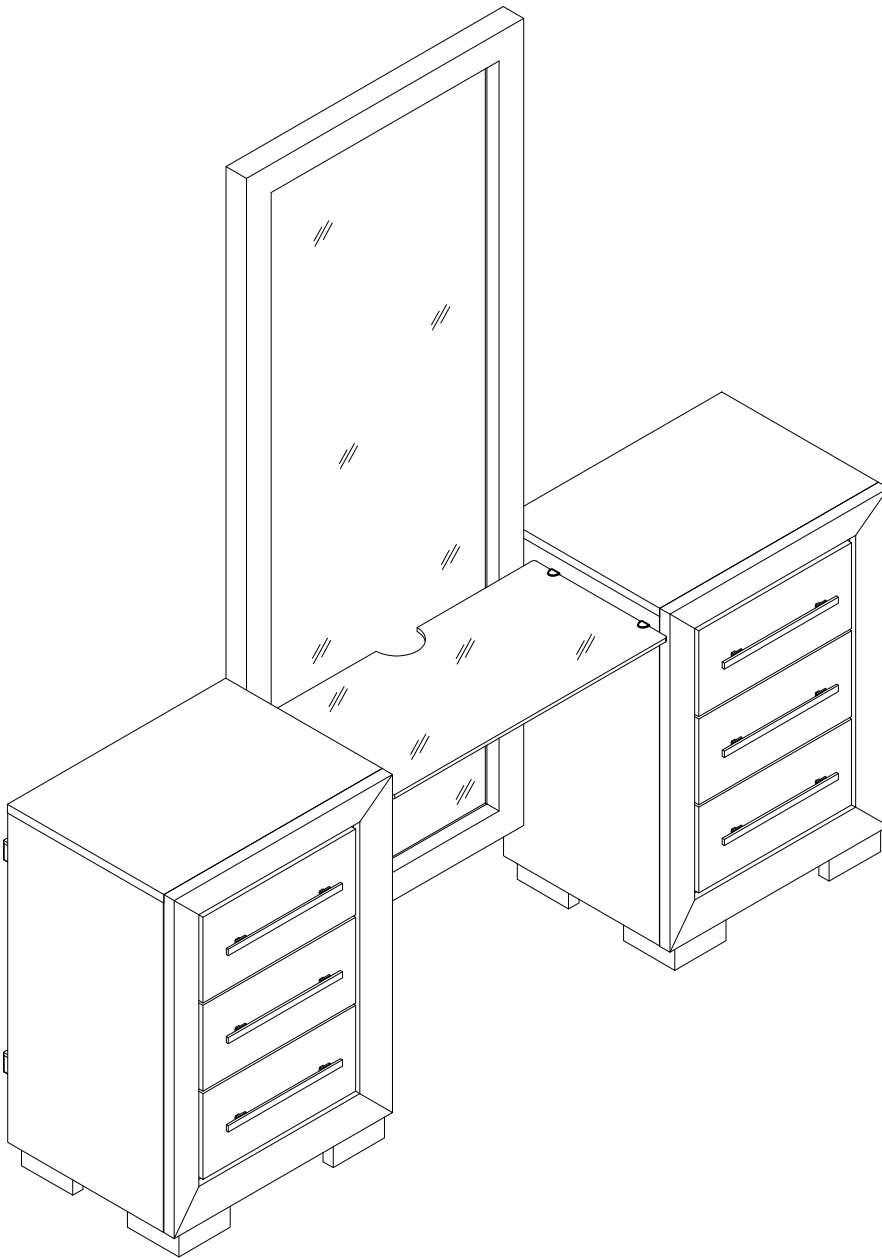


MAINTENANCE



We recommend a yearly check to see if the wall anchor or screw has loosened. If so, please remove the existing wall anchor and screw, and use a new anchor.

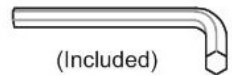
ASSEMBLY INSTRUCTIONS



TOOLS REQUIRED



Screwdriver
(Not included)



(Included)
Allen Wrench



2 - People

ASSEMBLY RATING



EASY ————— DIFFICULT

The Assembly Rating is a 5-point system showing the level of effort needed to assemble a specific product.



CHECK BEFORE STARTING

- | | |
|---|--|
| <input type="checkbox"/> Are you missing anything? Double-check all parts, hardware and accessories listed are all accounted for. | <input type="checkbox"/> Check out our Quick Tips! We recommend reviewing the pre-assembly handouts. Even experts need a refresher now and then! |
| <input type="checkbox"/> Should we send any replacements? Are there any irregularities or flaws in the parts? We can send replacements! | <input type="checkbox"/> Prep Time! Please review the assembly instructions and all diagrams prior to assembling. |

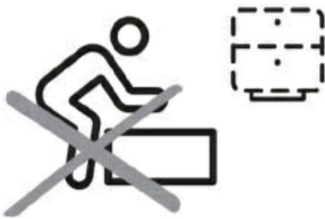
PRE ASSEMBLY INTRODUCTION

We understand building ready-to-assemble furniture can be a challenging experience for some. To help avoid confusion, we have provided some helpful tips that may speed up the process.



Teamwork

ALWAYS have at least two people to help with transporting and assembling the product to avoid potential injury and/or damage.



Suitable Location

Assembling near the area of the intended location is highly recommended.



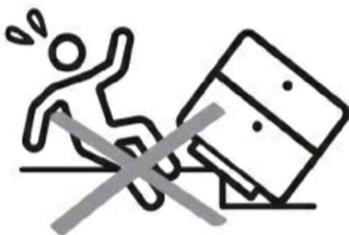
Sufficient Space

Make sure you have enough space to move around during the assembly.



Avoid Scratches

Use cardboard, blankets or a carpeted area while assembling furniture to prevent scratches and damages.



Flat Surface

Make sure the furniture rests on a flat and level surface with each leg evenly touching the floor.

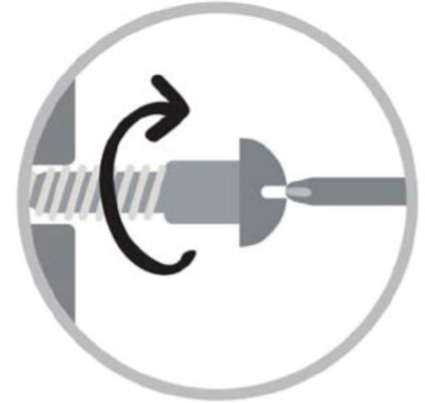
ASSEMBLY AND CARE ADVICE



FAILURE TO FOLLOW THE GUIDELINES BELOW MAY RESULT IN INJURY AND/OR PROPERTY DAMAGE.



Position each part correctly and insert screws or bolts into their respective holes.



Turn clockwise to tighten and only tighten when step is completed or when instructed to do so.



Use the appropriate hand tools or power tools for assembly. Select steps, such as tightening screws and/or bolts, may require hand tools to avoid causing damage during assembly.



Save the instructions and store any supplied tools for later maintenance.



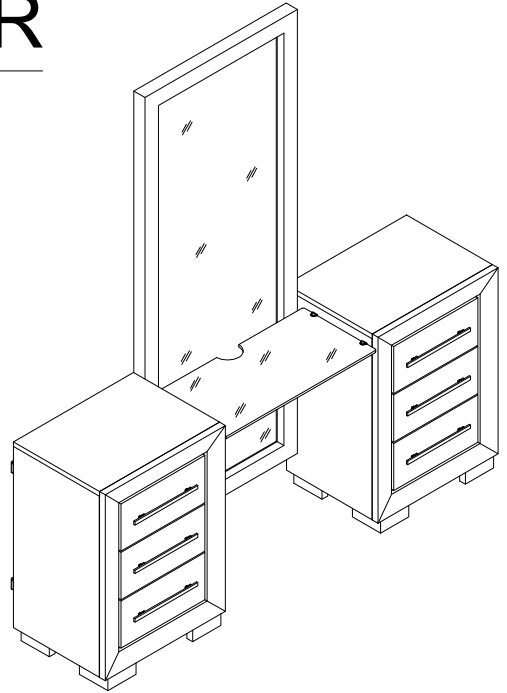
After two weeks, check and tighten any loose hardware and repeat again every six months thereafter.

IT IS THE USER'S RESPONSIBILITY TO MAINTAIN THE FURNITURE. THE HARDWARE MAY LOOSEN OVER TIME AND MAY CAUSE THE FURNITURE TO BE WOBBLY AND UNABLE TO SUPPORT ITS INTENDED WEIGHT CAPACITY. THIS MAY LEAD TO COLLAPSE AND MAY CAUSE SERIOUS INJURY.

VANITY-BASE / MIRROR



- Please keep instructions for future reference.
- Check the quantity and irregularity of parts and hardware before you start.



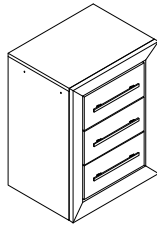
PARTS

1



Vanity Base - Left
1pc

2



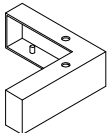
Vanity Base - Right
1pc

3



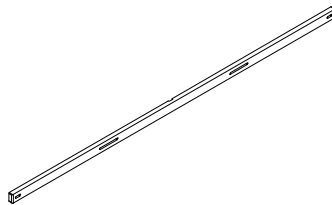
Vanity Mirror
1pc

4



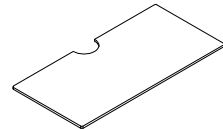
Leg
8pcs

5



Mirror Support Slats
2pcs

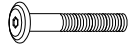
6



Mirror Glass Shelf
1pc

HARDWARE

A



Bolt
Ø5/16" x 1"
16pcs

B



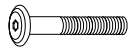
Lock Washer
Ø5/16"x13mm
16pcs

C



Flat Washer
Ø5/16"x19mm
16pcs

D



Bolt
Ø1/4" x 1 1/2"
12pcs

E



Lock Washer
Ø1/4" x 3/8"
12pcs

F



Flat Washer
Ø1/4" x 3/4"
12pcs

G



Allen Key M4
2pcs

H



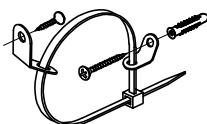
Allen Key M4
1pc

I



Glass Mounting Brackets
4pcs

J









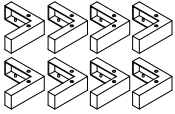
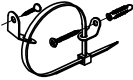



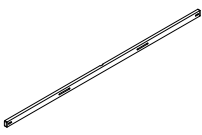




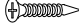
Anti Tip Kit
2sets

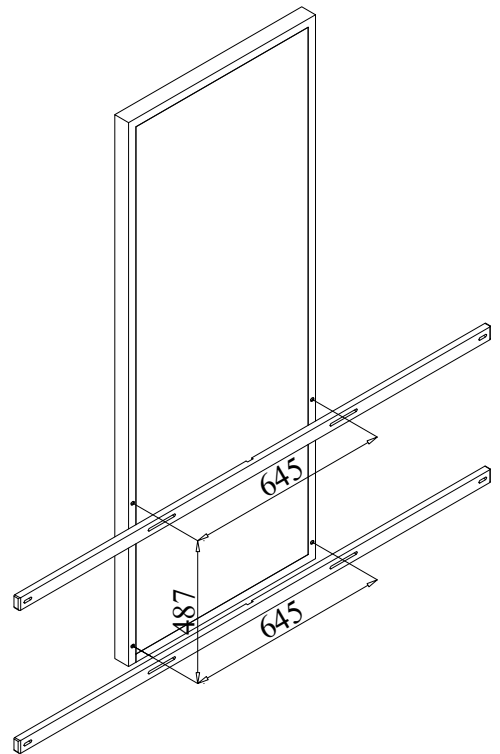
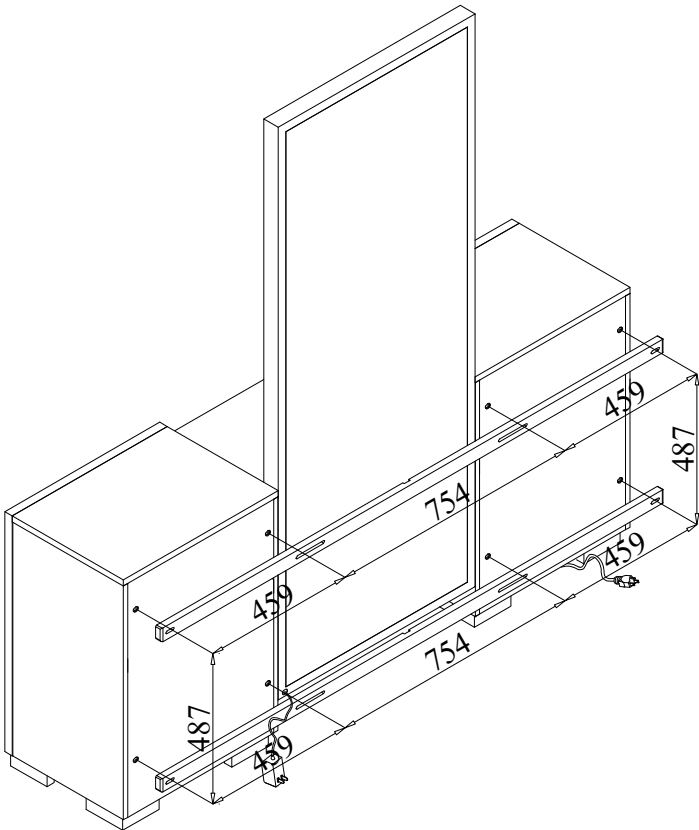
K



Screw
Ø4 x 30mm
2pcs

packed in 2 cases

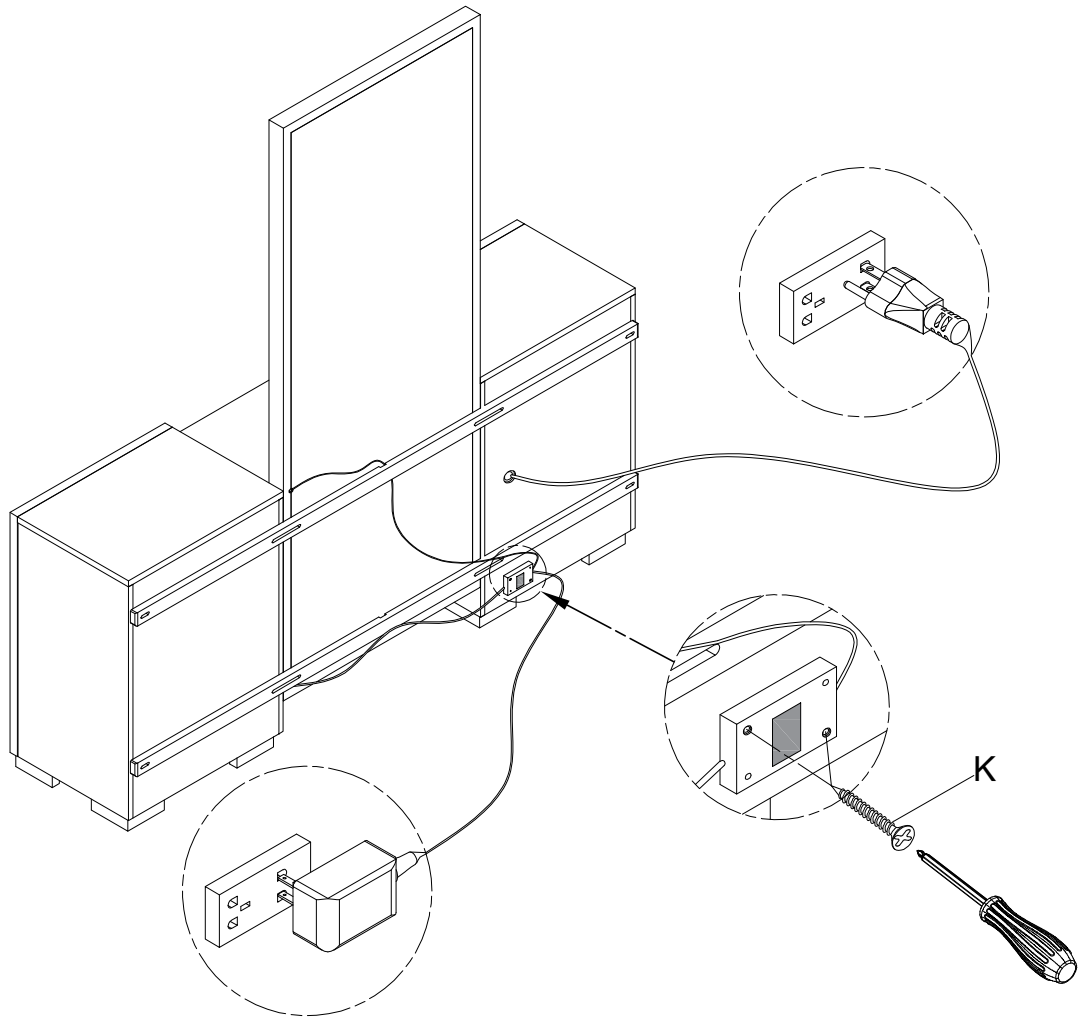
| Carton | Disignation | Part | Hardware |
|--------|----------------------|--|---|
| 1 | Vanity Base - Left | 1  |  A x 16pcs  B x 16pcs |
| | Vanity Base - Right | 2  |  C x 16pcs  G x 2pcs |
| | Leg | 4  |  J x 2Sets |
| 2 | Vanity Mirror | 3  |  D x 12pcs  E x 12pcs |
| | Mirror Support Slats | 5  |  F x 12pcs  H x 1pc |
| | Mirror Glass Shelf | 6  |  I x 4pcs  K x 2pcs |



ASSEMBLY INSTRUCTIONS

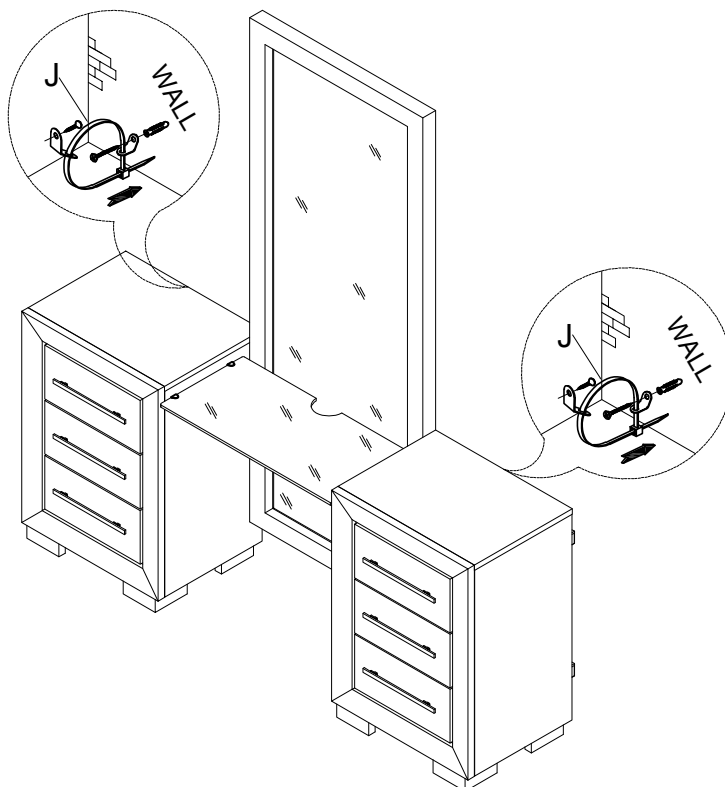
5

Hardware (K) x2pcs



6

Hardware (J) x2Sets



ASSEMBLY COMPLETED



Please ensure the furniture rests on an even and flat surface. If the product wobbles or feels loose, double-check all bolts and/or screws are properly tightened and secured.

✓ **Keep this handy!**

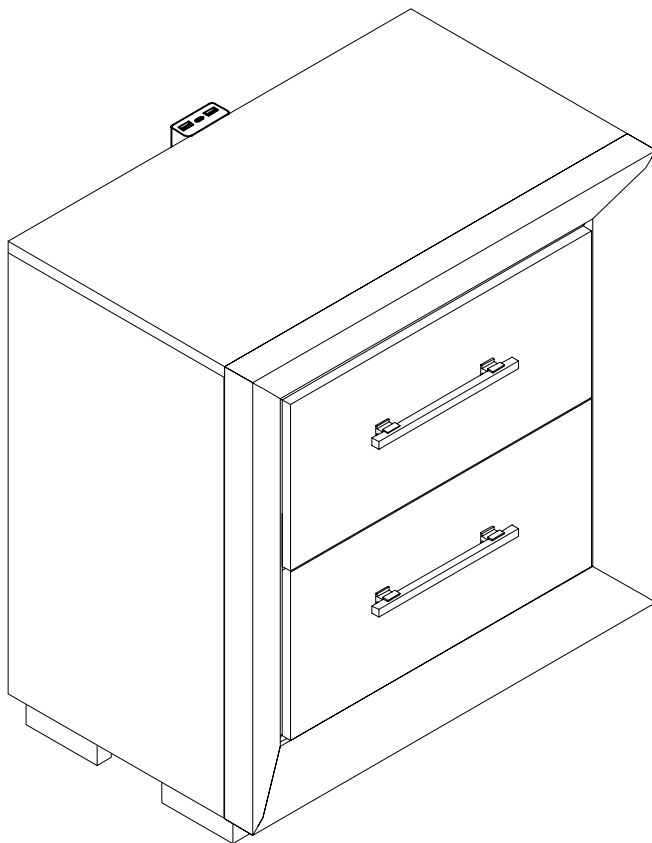
Please retain this instruction manual and any order-related information for future reference.

✓ **Lift, don't drag!**

To avoid damage to product please always LIFT the product when transporting or adjusting the placement.

This product is intended for RESIDENTIAL USE ONLY and not for commercial use.

ASSEMBLY INSTRUCTIONS



TOOLS REQUIRED



Allen Wrench

(Included)



Phillips
Screwdriver

(Not Included)



2 - People
Recommended

ASSEMBLY RATING



EASY —————> DIFFICULT

The Assembly Rating is a 5-point system showing the level of effort needed to assemble a specific product.



CHECK BEFORE STARTING

Are you missing anything?

Double-check all parts, hardware and accessories listed on Page 6 are accounted for.

Check out our Quick Tips!

We recommend reviewing the pre-assembly handouts. Even experts need a refresher now and then!

Should we send any replacements?

Are there any irregularities or flaws in the parts? We can send replacements!

Prep Time!

Please review the assembly instructions and all diagrams prior to assembling. Set up your workspace by laying the parts and hardware out separately, then begin!

PRE ASSEMBLY INTRODUCTION

We understand building ready-to-assemble furniture can be a challenging experience for some. To help avoid confusion, we have provided some helpful tips that may speed up the process.



Teamwork

ALWAYS have at least two people to help with transporting and assembling the product to avoid potential injury and/or damage.



Suitable Location

Assembling near the area of the intended location is highly recommended.



Sufficient Space

Make sure you have enough space to move around during the assembly.



Avoid Scratches

Use cardboard, blankets or a carpeted area while assembling furniture to prevent scratches.



Flat Surface

Make sure the furniture rests on a flat and level surface with each leg evenly touching the floor.

ASSEMBLY AND CARE ADVICE



FAILURE TO FOLLOW THE GUIDELINES BELOW MAY RESULT IN INJURY AND/OR PROPERTY DAMAGE.



Position each part correctly and insert screws or bolts into their respective holes.



Turn clockwise to tighten and only tighten when step is completed or when instructed to do so.



Use the appropriate hand tools or power tools for assembly. Select steps, such as tightening screws and/or bolts, may require hand tools to avoid causing damage during assembly.



Save the instructions and store any supplied tools for later maintenance.



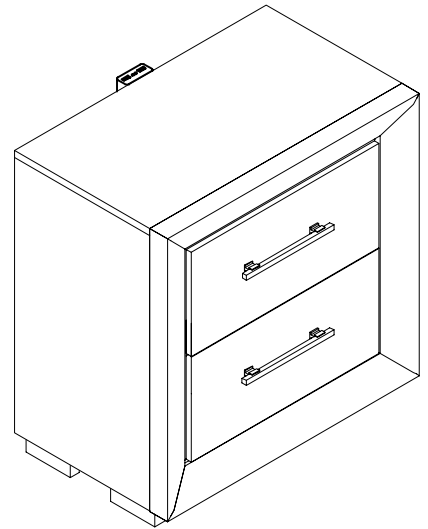
After two weeks, check and tighten any loose hardware and repeat again every six months thereafter.

IT IS THE USER'S RESPONSIBILITY TO MAINTAIN THE FURNITURE. THE HARDWARE MAY LOOSEN OVER TIME AND MAY CAUSE THE FURNITURE TO BE WOBBLY AND UNABLE TO SUPPORT ITS INTENDED WEIGHT CAPACITY. THIS MAY LEAD TO COLLAPSE AND MAY CAUSE SERIOUS INJURY.

NIGHTSTAND

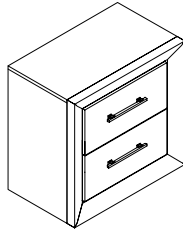


- Please keep instructions for future reference.
- Check the quantity and irregularity of parts and hardware before you start.



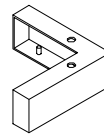
PARTS

#1 1pc



Nightstand

#2 4pcs



Leg

HARDWARE

#A 8pcs



Bolt $\text{\O}5/16'' \times 1''$

#B 8pcs



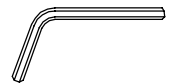
Lock Washer
 $\text{\O}5/16'' \times 13\text{mm}$

#C 8pcs



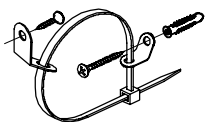
Flat Washer
 $\text{\O}5/16'' \times 19\text{mm}$

#D 1pc

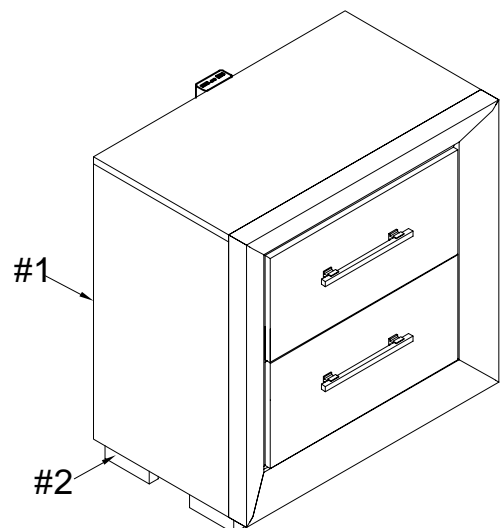


Allen Wrench M4

#E 1Set



Anti Tip Kit



ASSEMBLY INSTRUCTIONS

1

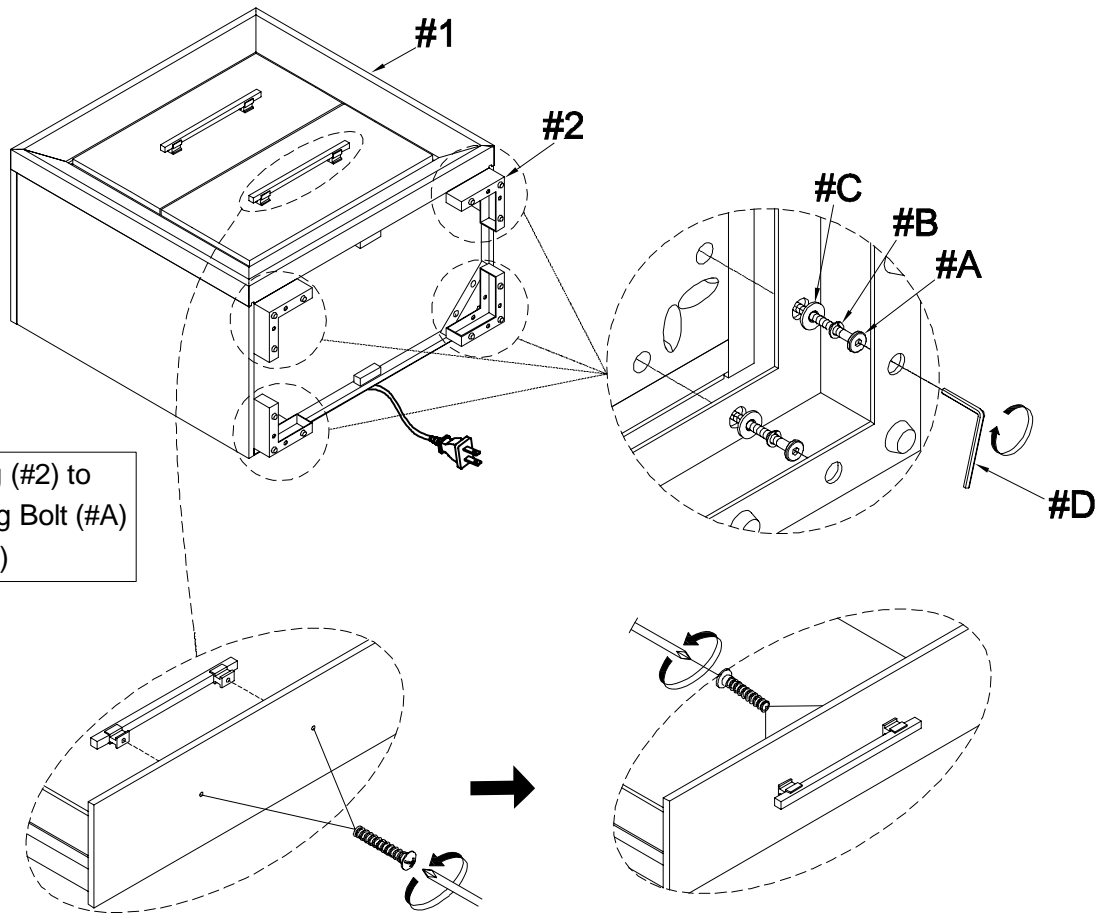
Part #1 x1pc

Part #2 x4pcs

Hardware #A x8pcs

Hardware #B x8pcs

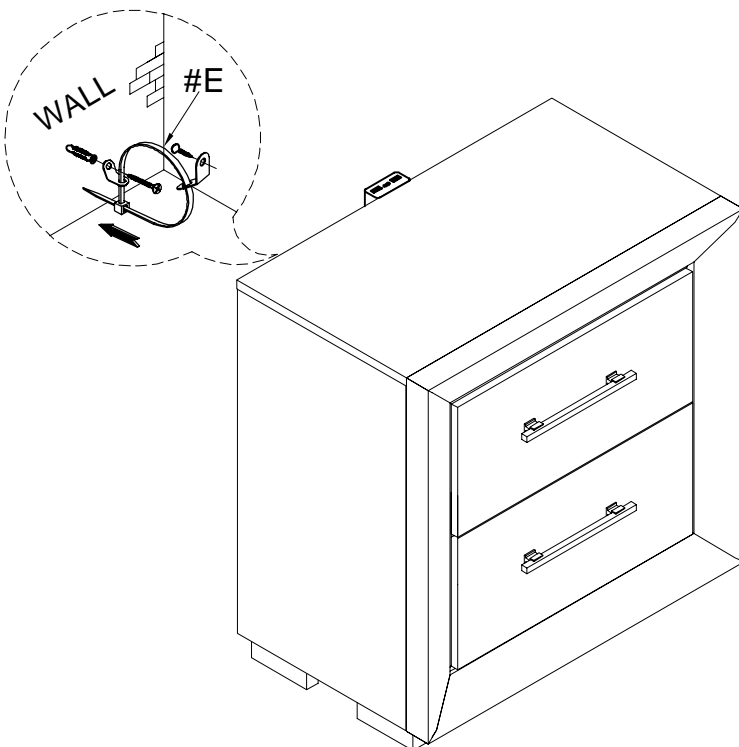
Hardware #C x8pcs



Align and attach Leg (#2) to Nightstand (#1) using Bolt (#A) with Washers (#B, C)

2

Hardware #E x1Set



ASSEMBLY COMPLETED



Please ensure the furniture rests on an even and flat surface. If the product wobbles or feels loose, double-check all bolts and/or screws are properly tightened and secured.



Keep this handy!

Please retain this instruction manual and any order-related information for future reference.



Lift, don't drag!

To avoid damage to product please always LIFT the product when transporting or adjusting the placement.

This product is intended for RESIDENTIAL USE ONLY and not for commercial use.

ASSEMBLY INSTRUCTIONS

Wall Mounting and Fixing



EXPANSION WALL ANCHOR

Our provided expansion wall anchors are only suitable for masonry walls, such as drywall, plaster or concrete, and are best for holding lightweight items or for anti-tip prevention. If you are unsure of the correct wall anchor to use with the product, please request professional guidance. Liability for product damage or failure due to using the incorrect anchors will fall on the installer.



CHECK BEFORE PROCEEDING

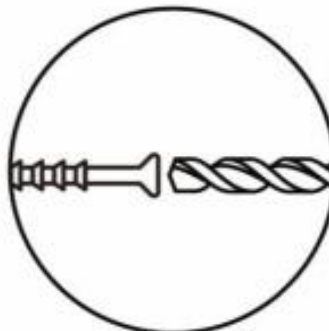
Prior to drilling or hammering, please check for wires or pipes. We recommend using a stud finder to locate a stud, which will offer more appropriate resistance and hold more weight.

QUICK TIPS

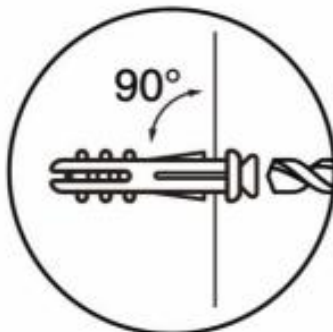
1. If unsure of the proper size, always choose a larger screw and wall anchor.



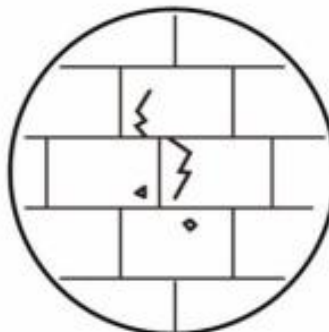
2. Match the drill bit to the wall anchor and hole size.



3. Only drill horizontally. Do not force the drill or enlarge the hole for the wall anchor.



4. Take extra care when drilling into high walls or ceramic tiles. Wall anchors should be a tight fit for the hole. Never use wall anchors in ceilings.



MAINTENANCE



We recommend a yearly check to see if the wall anchor or screw has loosened. If so, please remove the existing wall anchor and screw, and use a new anchor.