

Attention: Don't tighten the screw before all screws are in place

## USER'S MANUAL

---

Bar Chair

## Hardware List

**A**



(8pcs)

**B**



(1pc)

**C**



( 4pcs)

**D**



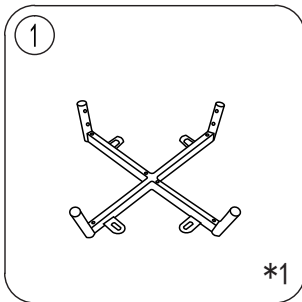
(4pcs)

**E**

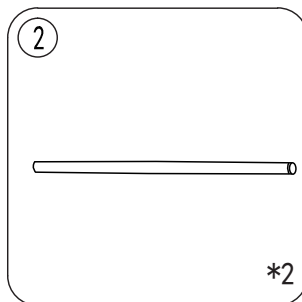


(4pcs)

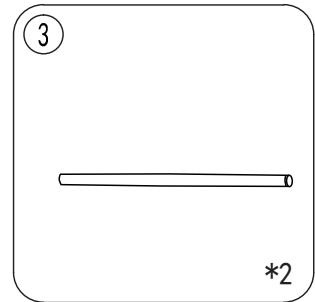
## Panel List



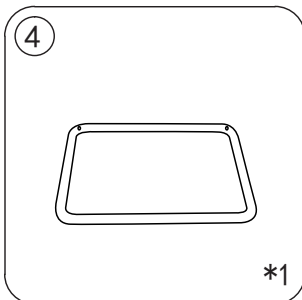
\*1



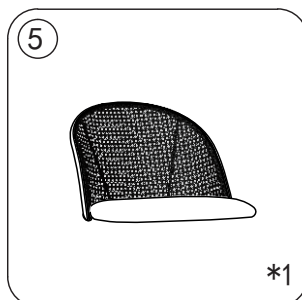
\*2



\*2



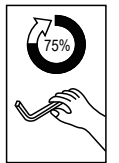
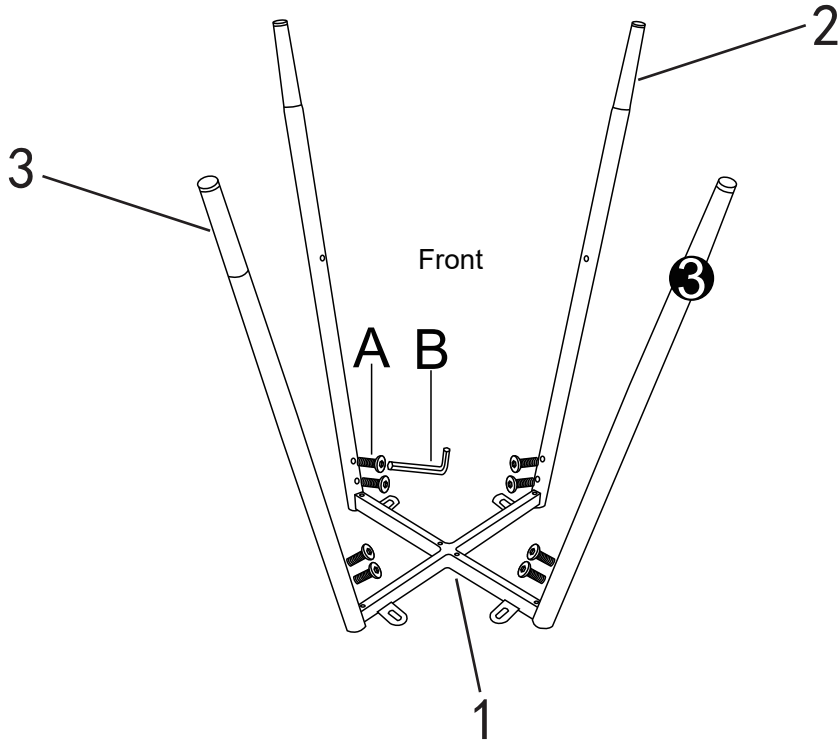
\*1



\*1

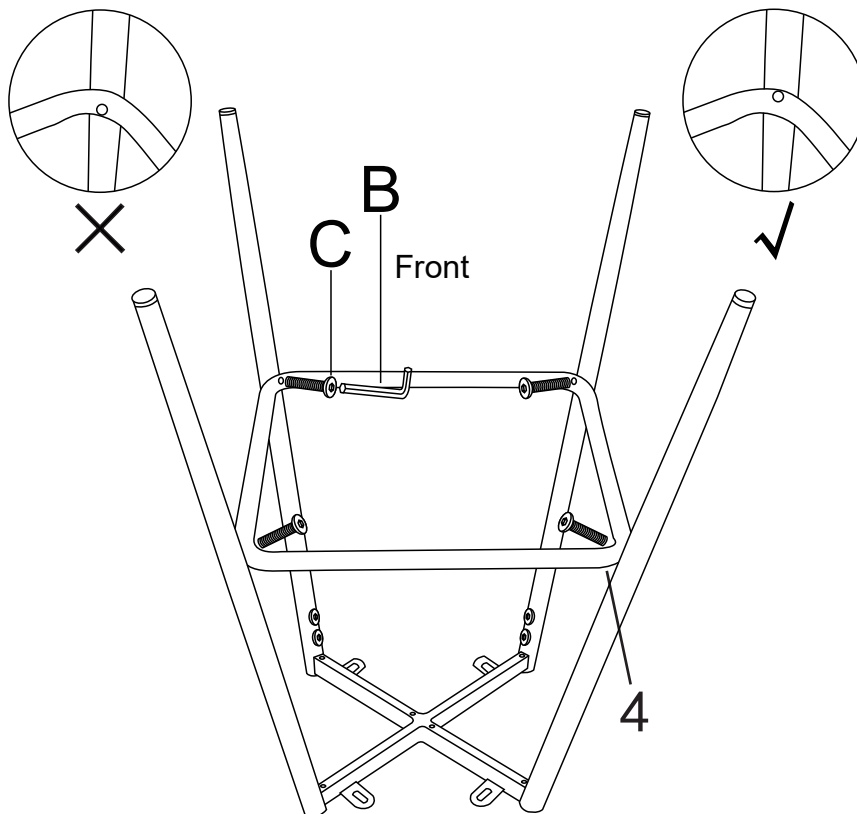
# Step 1

  
Ax8

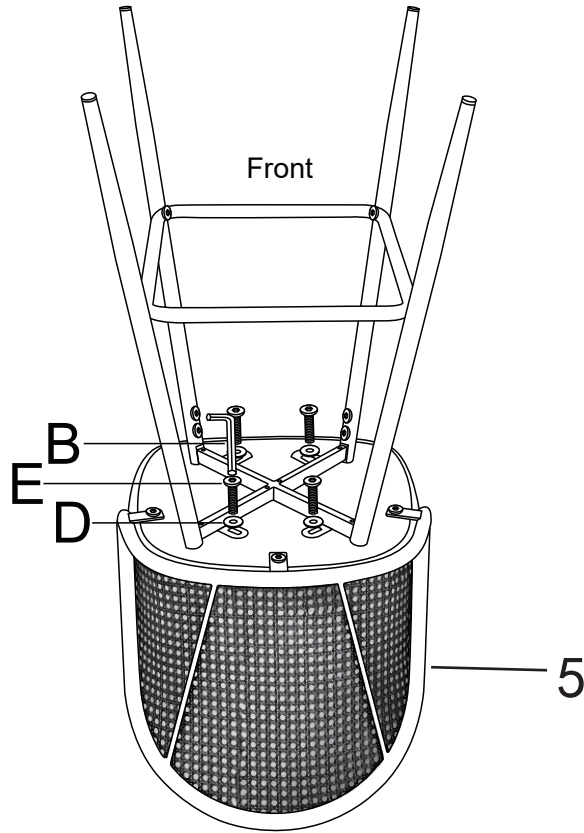


# Step 2

  
Cx4

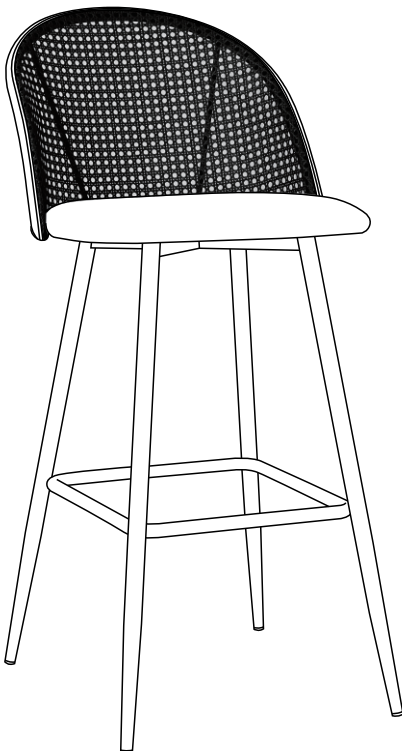


### Step 3



 Dx4  
 Ex4

### Step 4



**Stand the chair up.  
Your chair is ready for use.  
This chair can only be used on a flat level surface.**

**Weight Capacity for seating: 250 LBS**