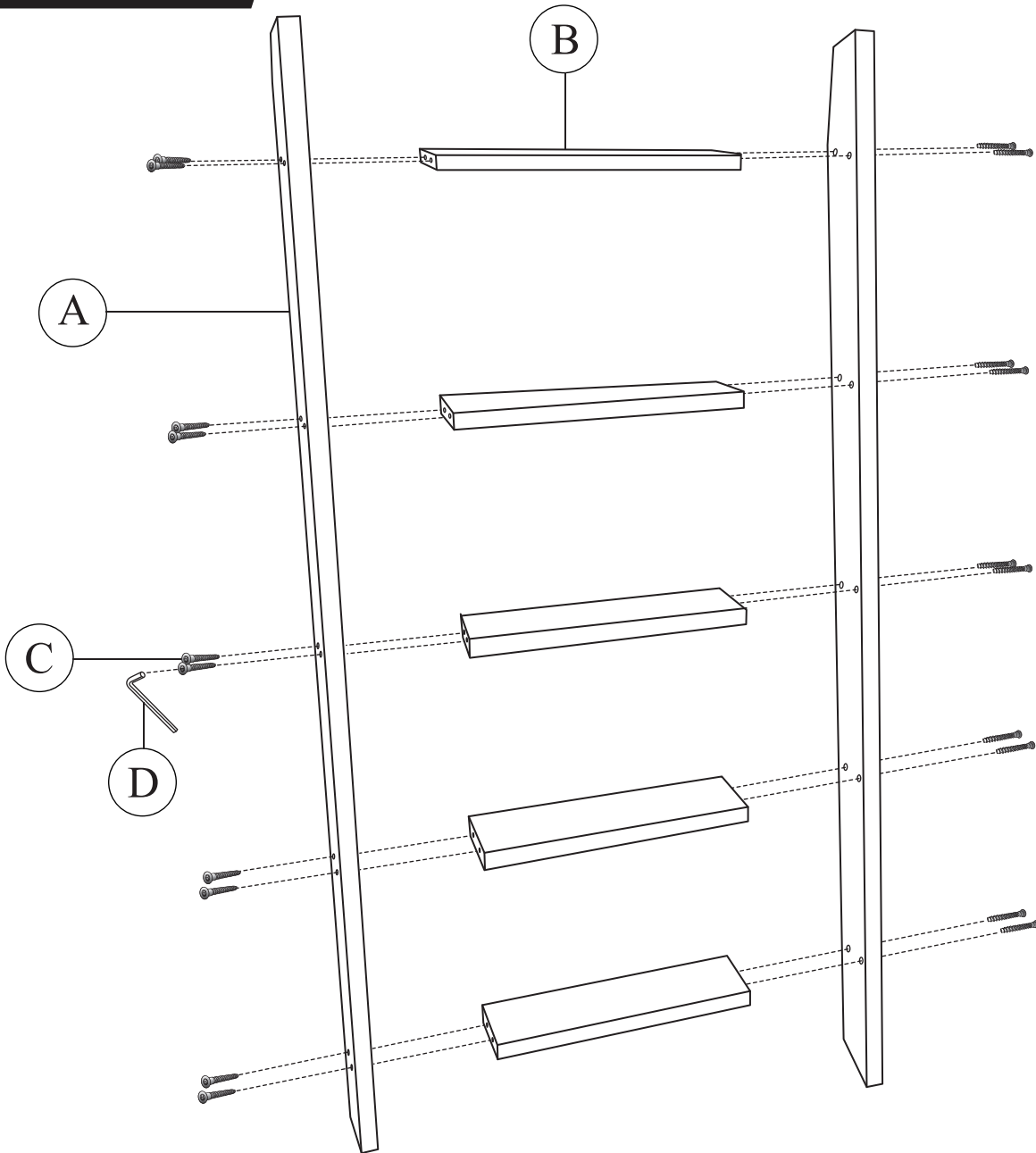
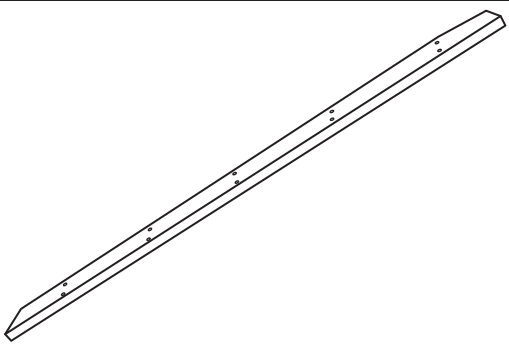
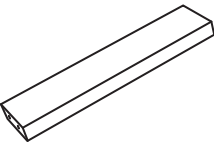

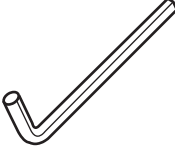
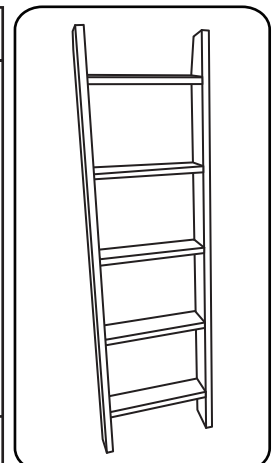


HOM1647



No.	A	B	C	D
Part			 M7 × 60	
Pcs	2	5	20	1



Questions? Contact us at info@mygift.com