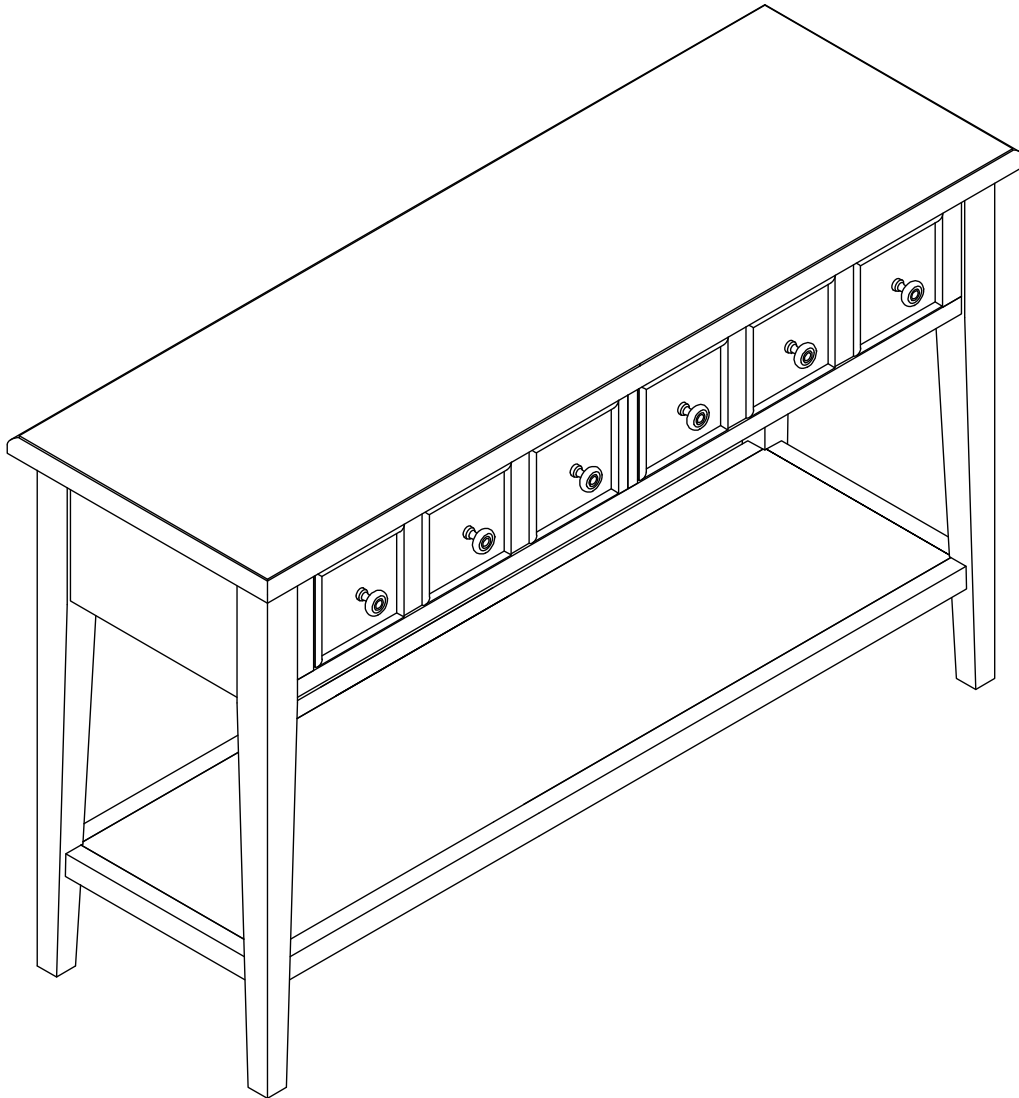


ASSEMBLY INSTRUCTION



N715P205077

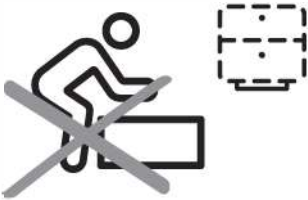
PRE ASSEMBLY INTRODUCTION

We understand building ready-to-assemble furniture can be a challenging experience for some. To help avoid confusion, we have provided some helpful tips that may speed up the process.



Teamwork

ALWAYS have at least two people to help with transporting and assembling the product to avoid potential injury and/or damage.



Suitable Location

Assembling near the area of the intended location is highly recommended.



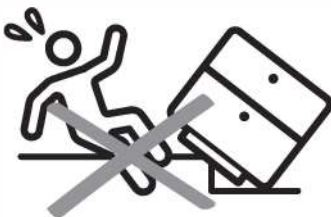
Sufficient Space

Make sure you have enough space to move around during the assembly.



Avoid Scratches

Use cardboard, blankets or a carpeted area while assembling furniture to prevent scratches.

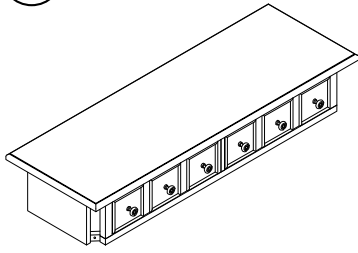


Flat Surface

Make sure the furniture rests on a flat and level surface with each leg evenly touching the floor.

PART LIST

#A 1pc



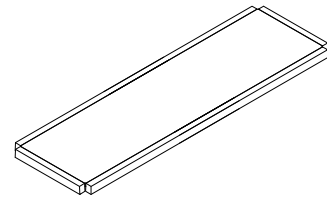
Top

#B 4pcs

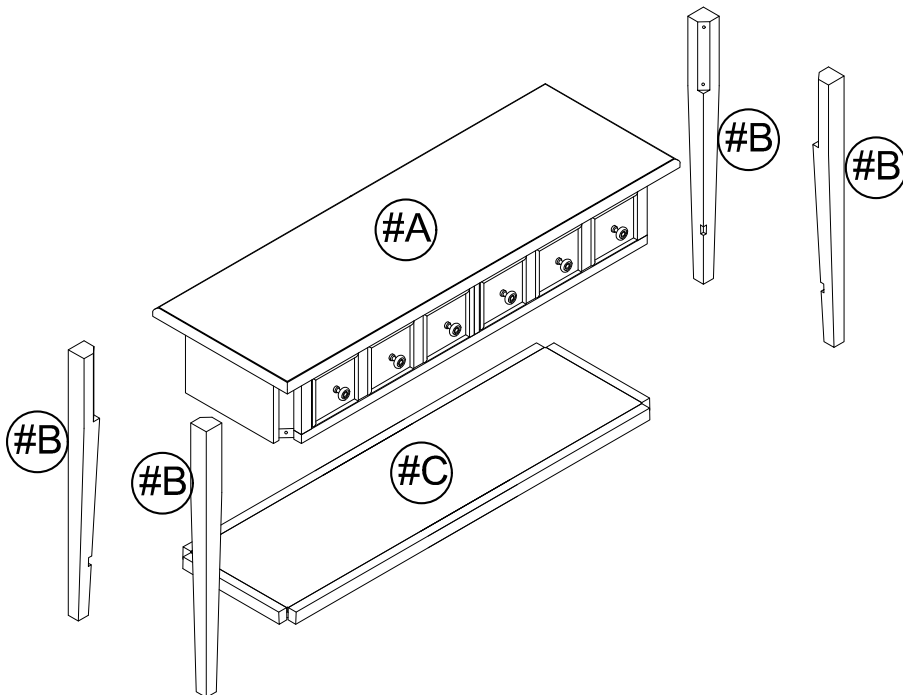


Leg

#C 1pc

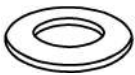


Shelf



HARDWARE LIST

#1



Flat Washer $\text{\O}1/4"$
 $\text{\O}1/4" \times 12\text{pcs}$

#2



Lock Washer
 $\text{\O}1/4" \times 12\text{pcs}$

#3



Bolt
 $\text{\O}1/4" \times 6\text{\O}mm \times 12\text{pcs}$

#4



Allen Key 4mm x 1pc

#5



Large Screw
2pcs

#6



Small Screw
2pcs

#7



Flat Washer
4pcs

#8



Retention Belt
2pcs

#9

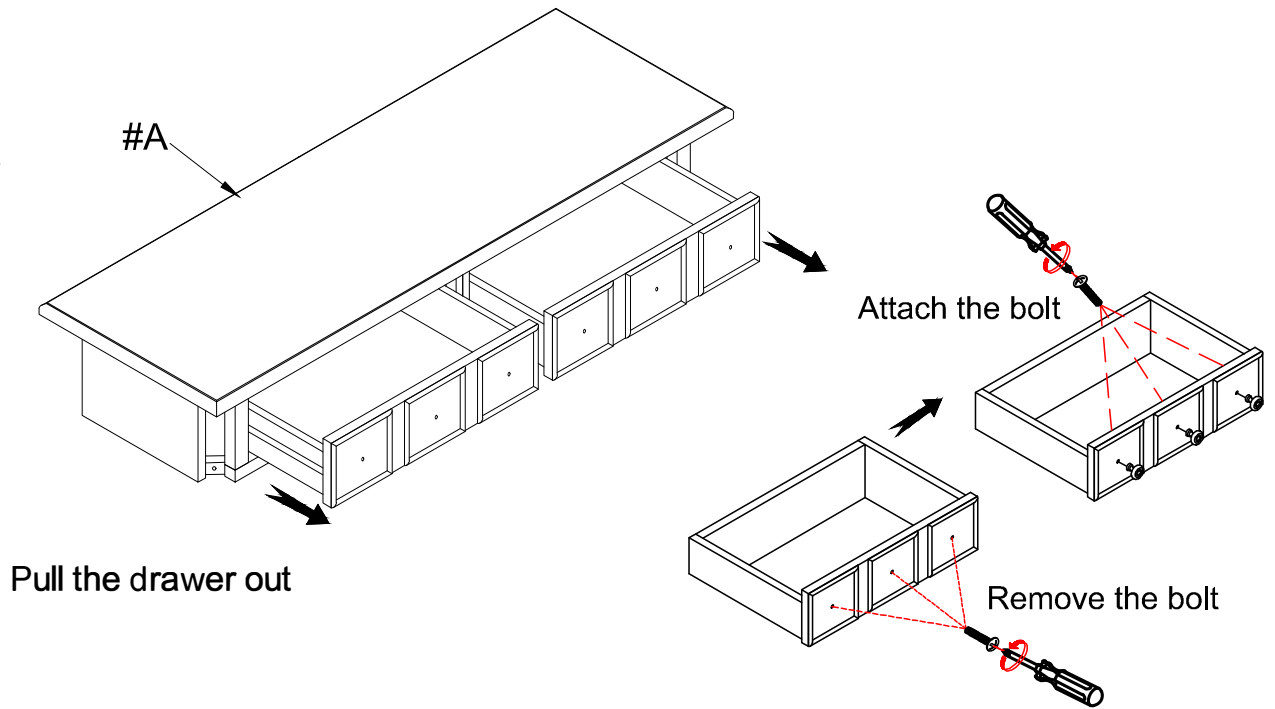


Plastic Anchor
2pcs

ASSEMBLY INSTRUCTION

Step 1

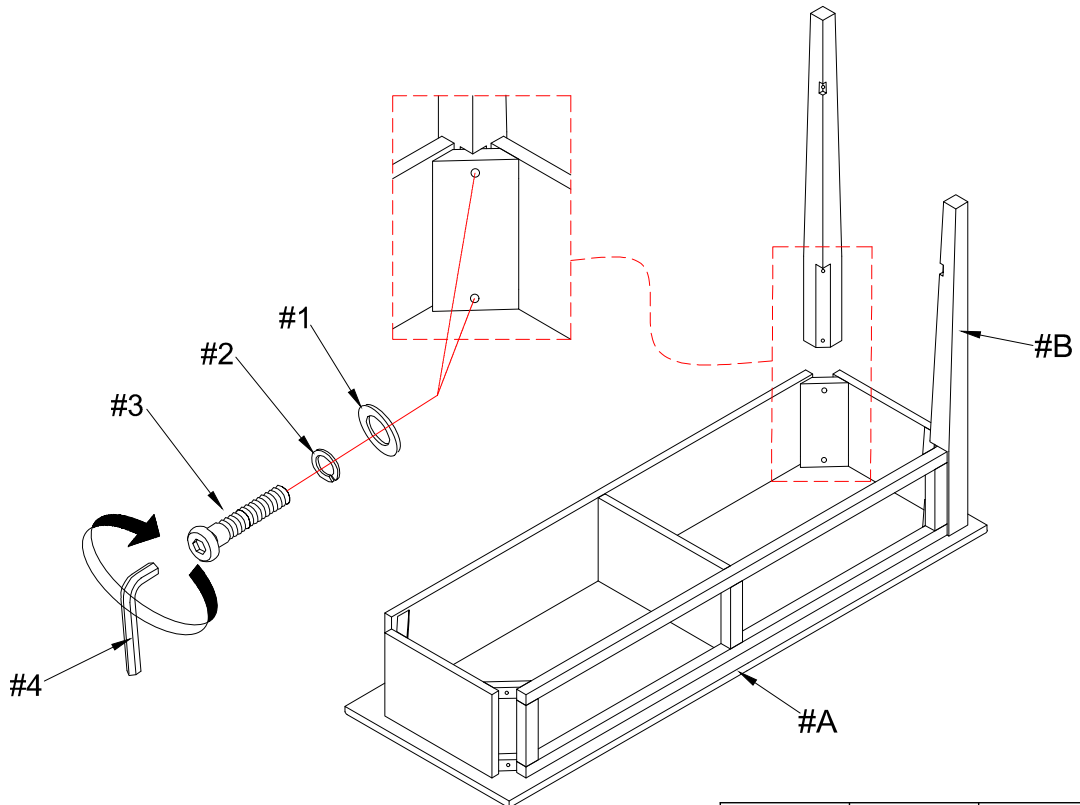
Part (#A) 1pc



Step 2

Attach Leg (#B) on the Top table by using Flat washer (#1), Lock washer (#2), Bolt (#3) with Allen Key (#4).

Part (#B) 2pcs



#1 x 4	#2 x 4	#3 x 4	#4 x 1

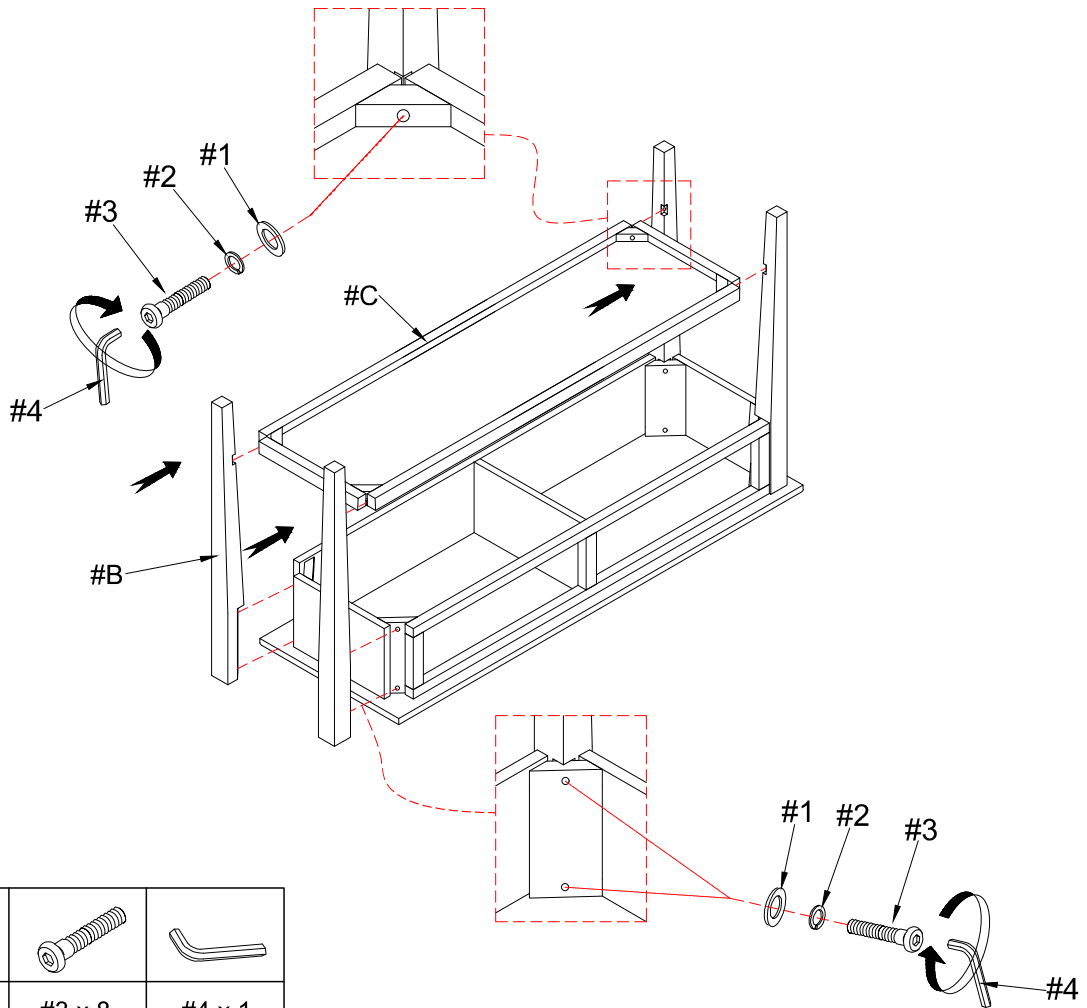
ASSEMBLY INSTRUCTION

Attach Leg (#B), Shelf (#C) on the Top table (#A) by using Flat washer (#1), Lock washer (#2), Bolt (#3) with Allen key (#4).

Step 3

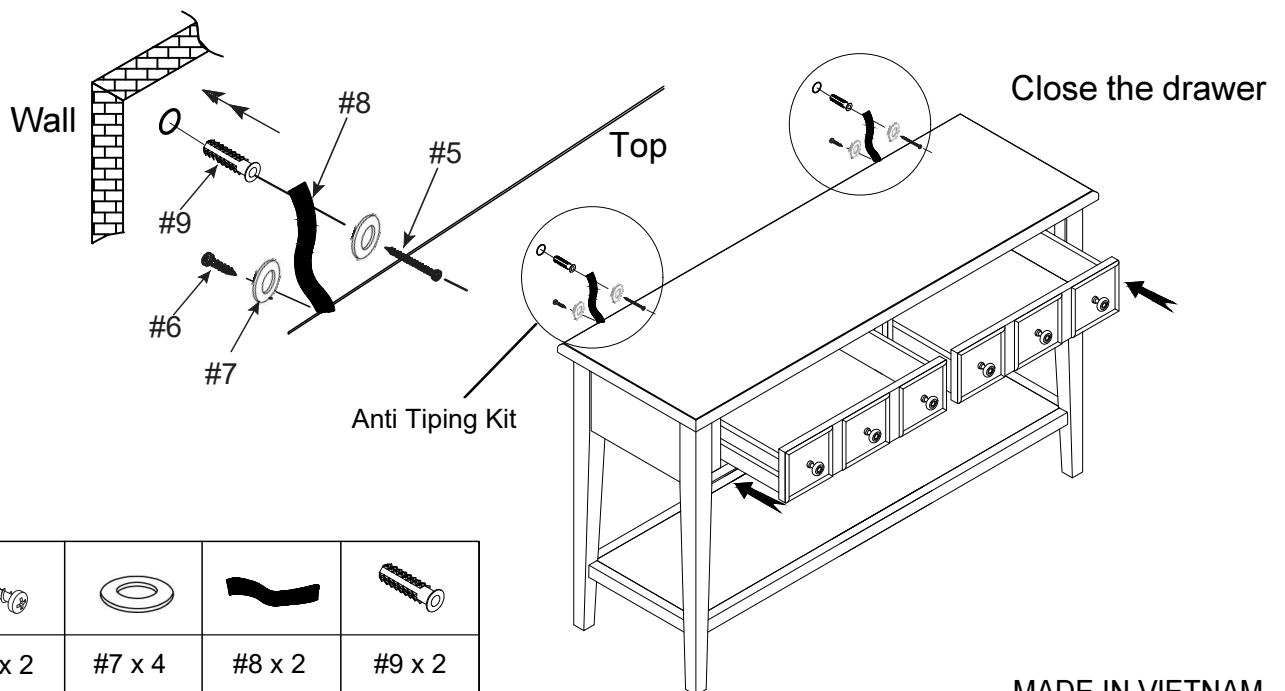
Part (#B) 2pcs

Part (#C) 2pcs



#1 x 8	#2 x 8	#3 x 8	#4 x 1

Step 4



#5 x 2	#6 x 2	#7 x 4	#8 x 2	#9 x 2

MADE IN VIETNAM