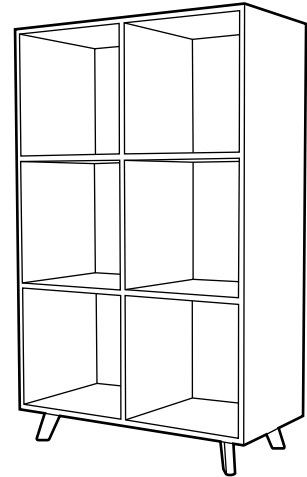


Cleaning

Wipe with a damp cloth and mild soap. Dry with soft, lint free cloth

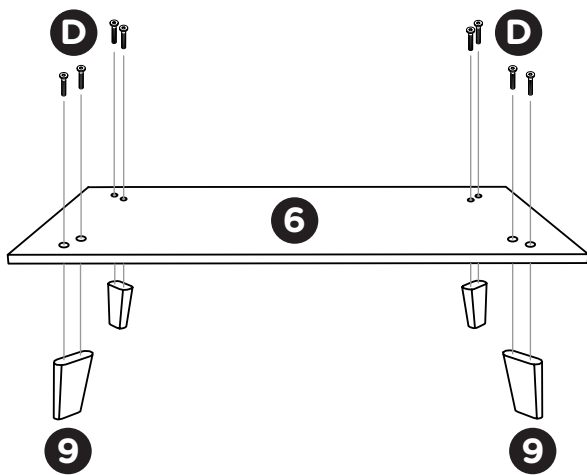
ASSEMBLY INSTRUCTIONS

ITEM	PARTS	QTY	ITEM	PARTS	QTY	ITEM	HARDWARE	QTY
1		2 PCS	5		3 PCS	A		16 PC
			6		1 PC	B		4 PC
2		1 PC	7		1 PC	C		4 PC
			8		1 PC	D		8 PC
3		2 PCS	9		4 PCS	E		18 PC

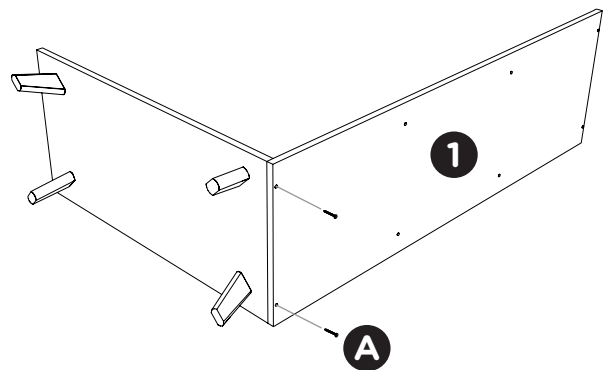


FULLY SET-UP

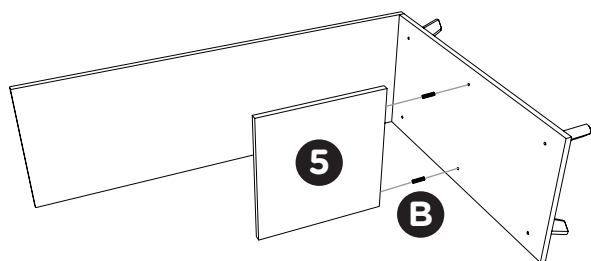
Step 1



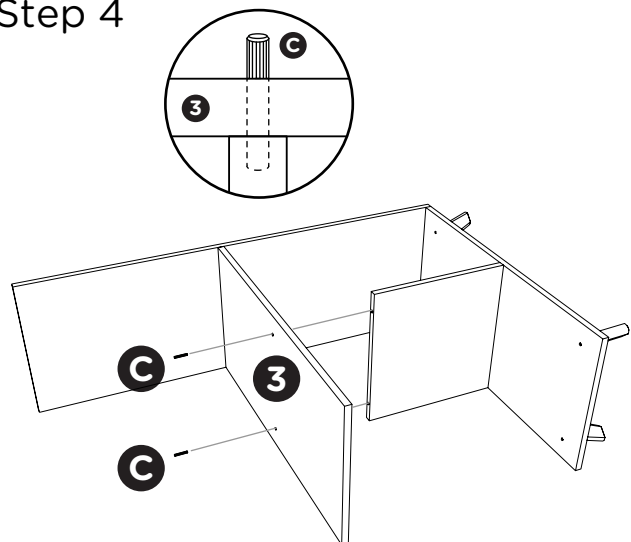
Step 2



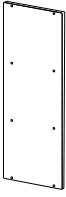


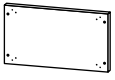

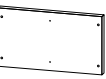
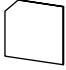

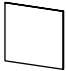

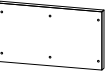


Step 3

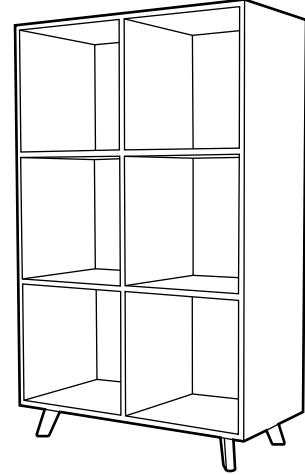


Step 4



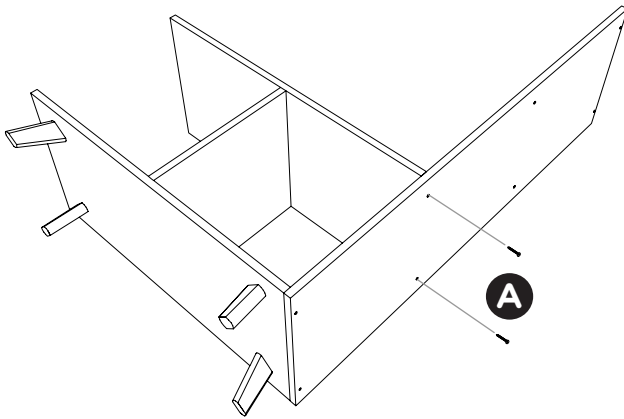
ASSEMBLY INSTRUCTIONS

ITEM	PARTS	QTY	ITEM	PARTS	QTY	ITEM	HARDWARE	QTY
1		2 PCS	5		3 PCS	A		16 PC
			6		1 PC	B		8 PC
2		1 PC	7		1 PC	C		4 PC
			8		1 PC	D		4 PC
3		2 PCS	9		4 PCS	E		18 PC

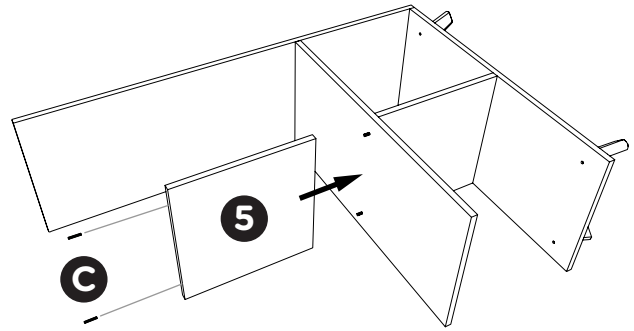


FULLY SET-UP

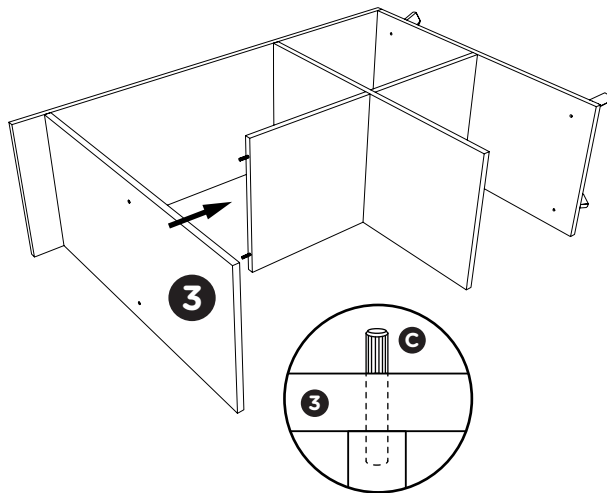
Step 5



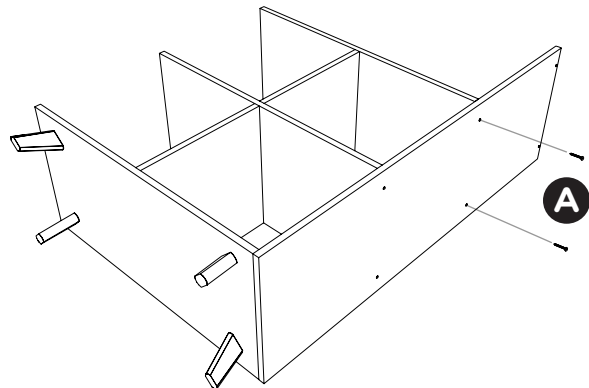
Step 6



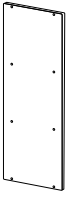


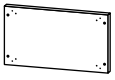


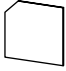
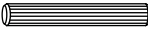
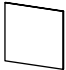
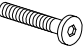
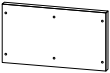


Step 7

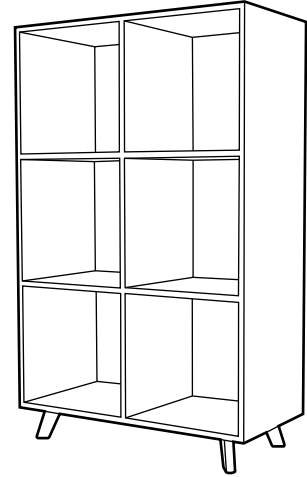


Step 8



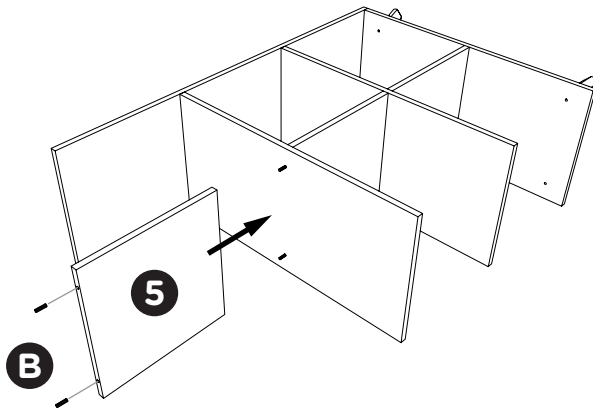
ASSEMBLY INSTRUCTIONS

ITEM	PARTS	QTY	ITEM	PARTS	QTY	ITEM	HARDWARE	QTY
1		2 PCS	5		3 PCS	A		16 PC
			6		1 PC	B		8 PC
2		1 PC	7		1 PC	C		4 PC
			8		1 PC	D		4 PC
3		2 PCS	9		4 PCS	E		18 PC

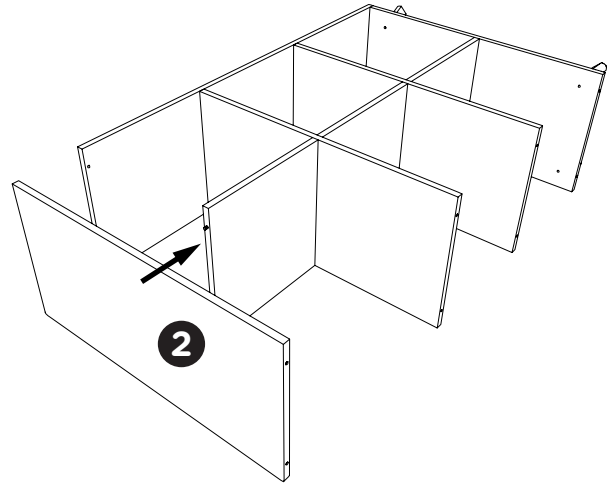


FULLY SET-UP

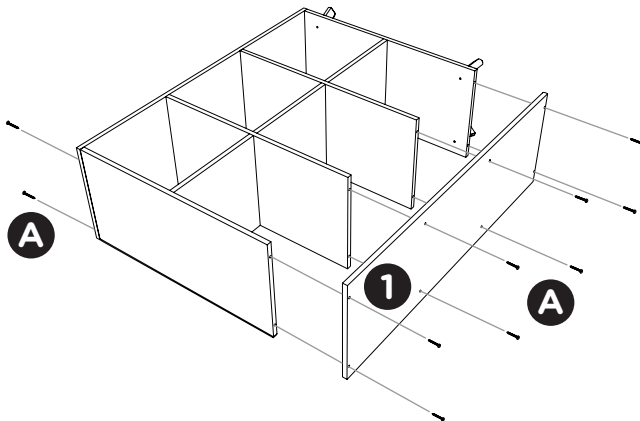
Step 5



Step 6



Step 7



Step 8

