

ASSEMBLY INSTRUCTION
MADE IN VIETNAM

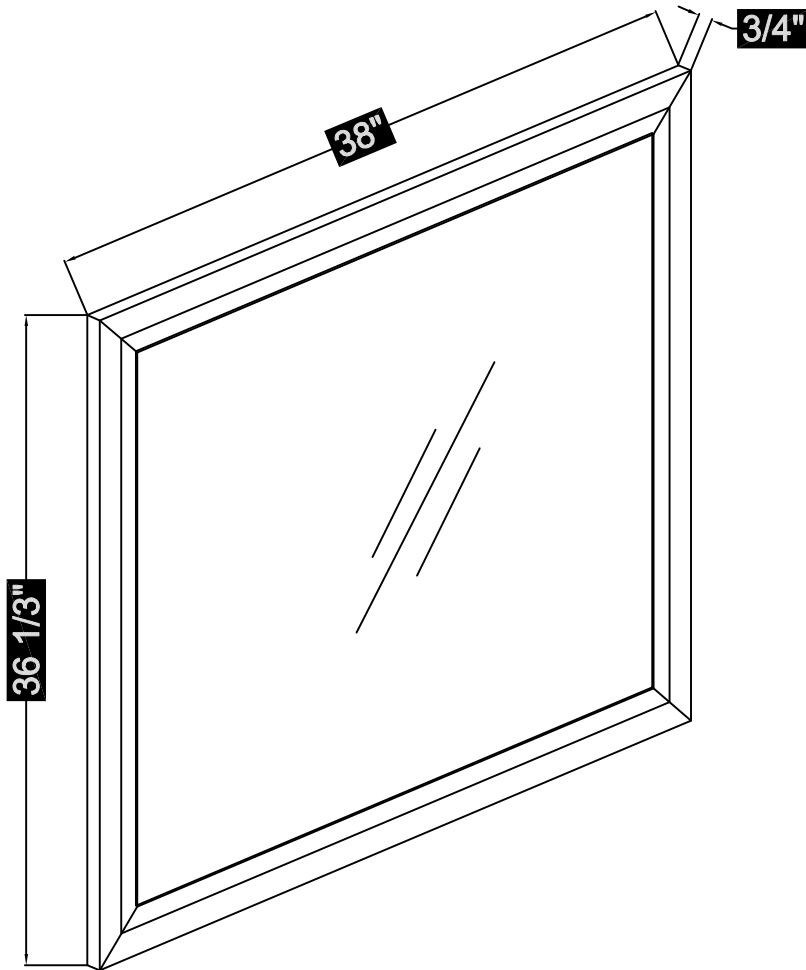
B744 - 24

Thank you for purchasing this quality product. Be sure to check all packing materials carefully for small parts that may have come loose inside the carton during shipment.

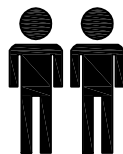
Before you start assembly: Please read all instructions carefully before beginning the assembly process. It is recommended that 2 people work together during assembly to prevent personal injury and to ensure that heavy or cumbersome parts are not damaged during the process.

CAUTION: For your safety, this product requires two people to lift

Assembled Dimensions

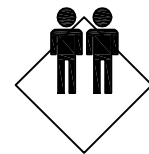


15 MINUTES



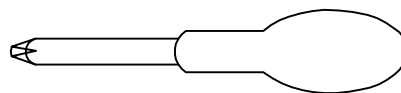
APPROXIMATE ASSEMBLY TIME

2 PERSONS



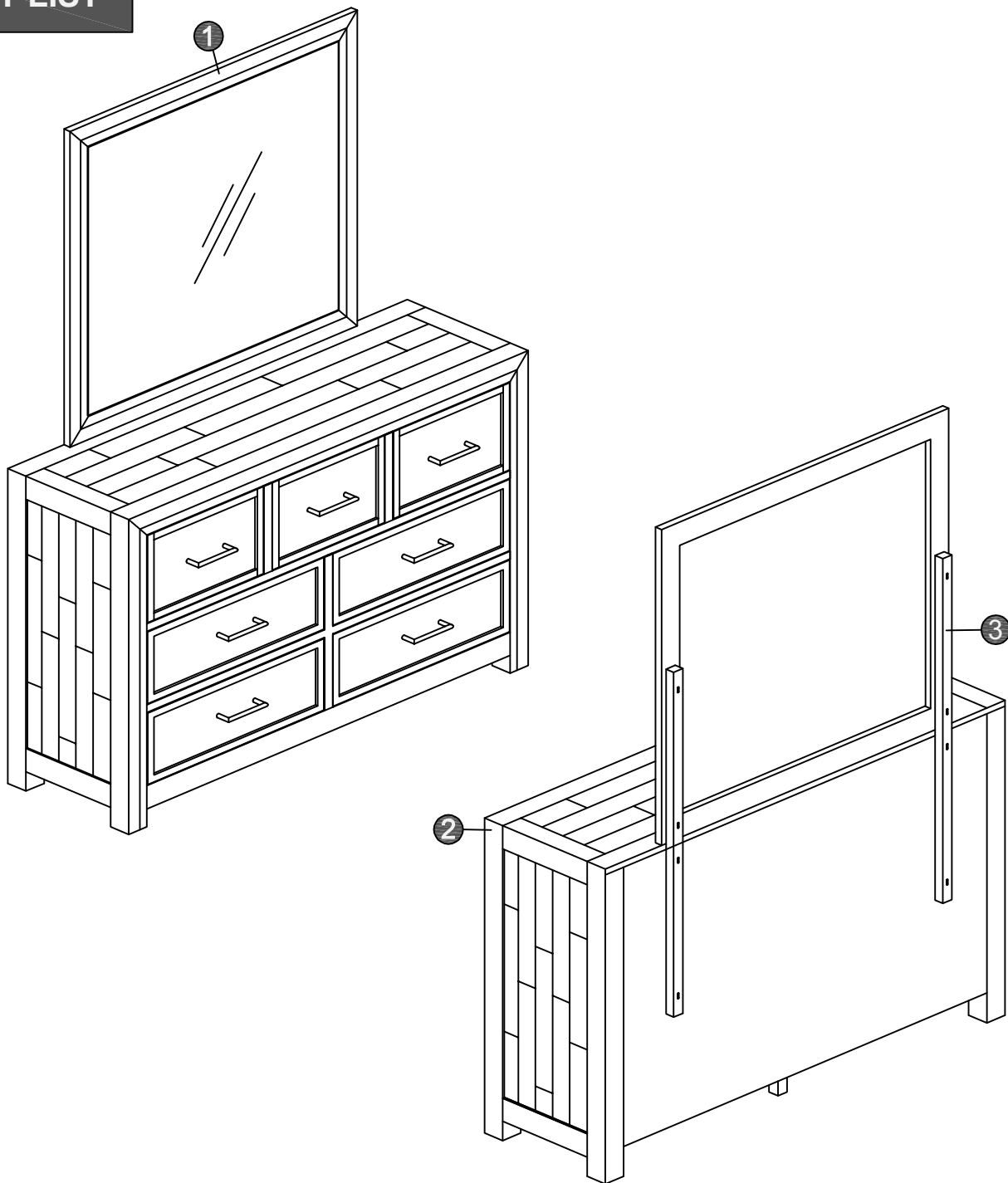
REQUIRED ASSEMBLY SPACE




REQUIRED ASSEMBLY TOOLS



NOT PROVIDED

PART LIST



NO.		PART LIST	QTY
(1)		MIRROR	1
(2)		DRESSER	1
(3)		SUPPORT RAIL	2

HARDWARE LIST



8x
5/16" x 19 x 1.5mm
A
FLAT WASHER



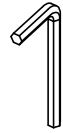
8x
5/16" x 13 x 1mm
B
SPRING WASHER



4x
1/4" x 35mm
C
BOLT



4x
1/4" x 50mm
D
BOLT

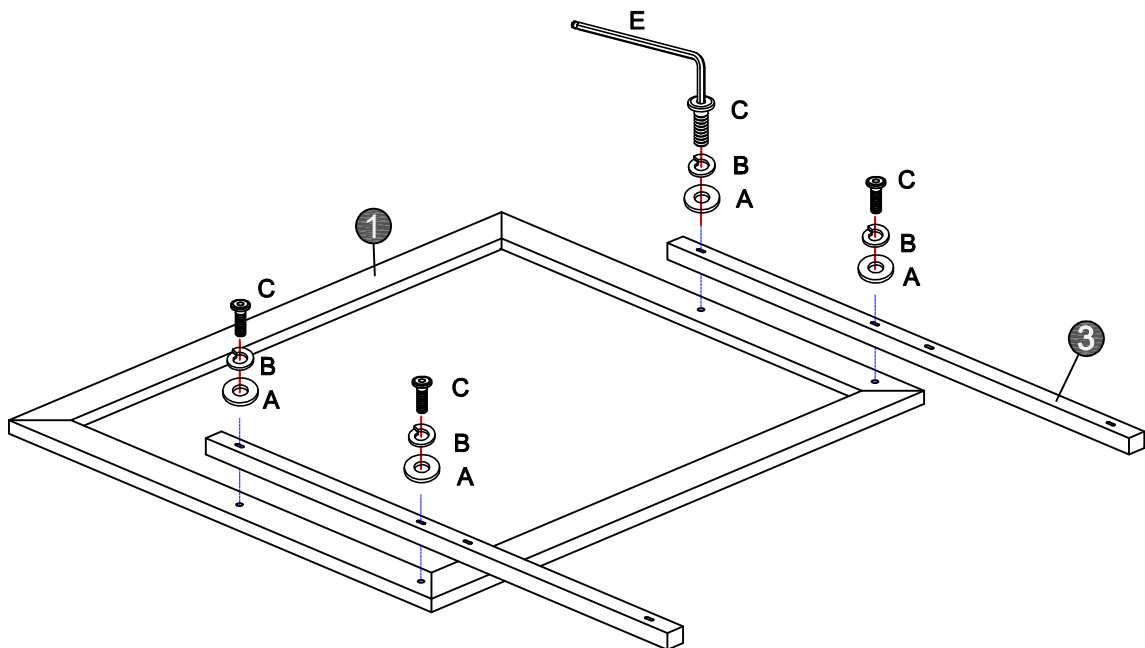
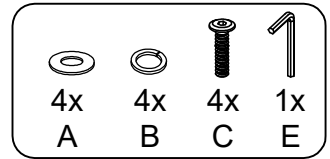


1x
E
M4 x 60mm
ALLEN KEY



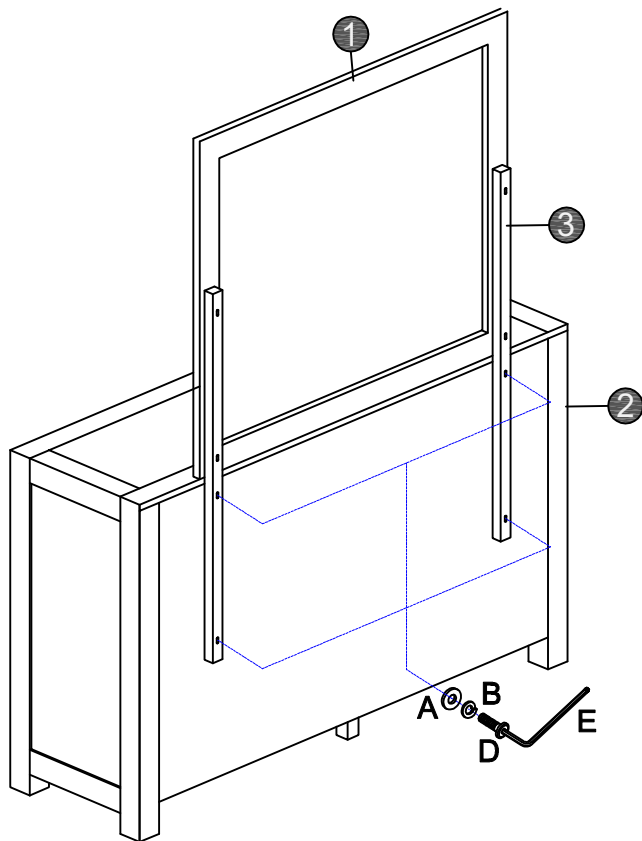
1x
M4x76mm
F
STRAIGHT ALLEN KEY





STEP 1



ITEM NO.: B744 - 24

STEP 2



			
4x A	4x B	4x D	1x E

STEP 3

