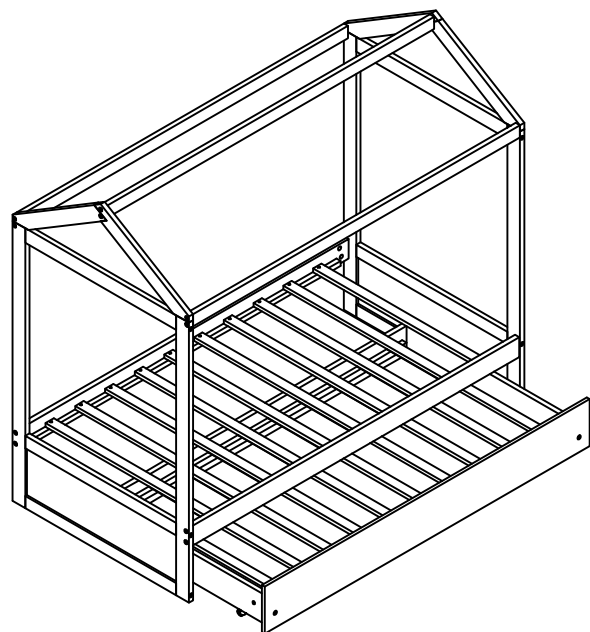


# ASSEMBLY INSTRUCTIONS

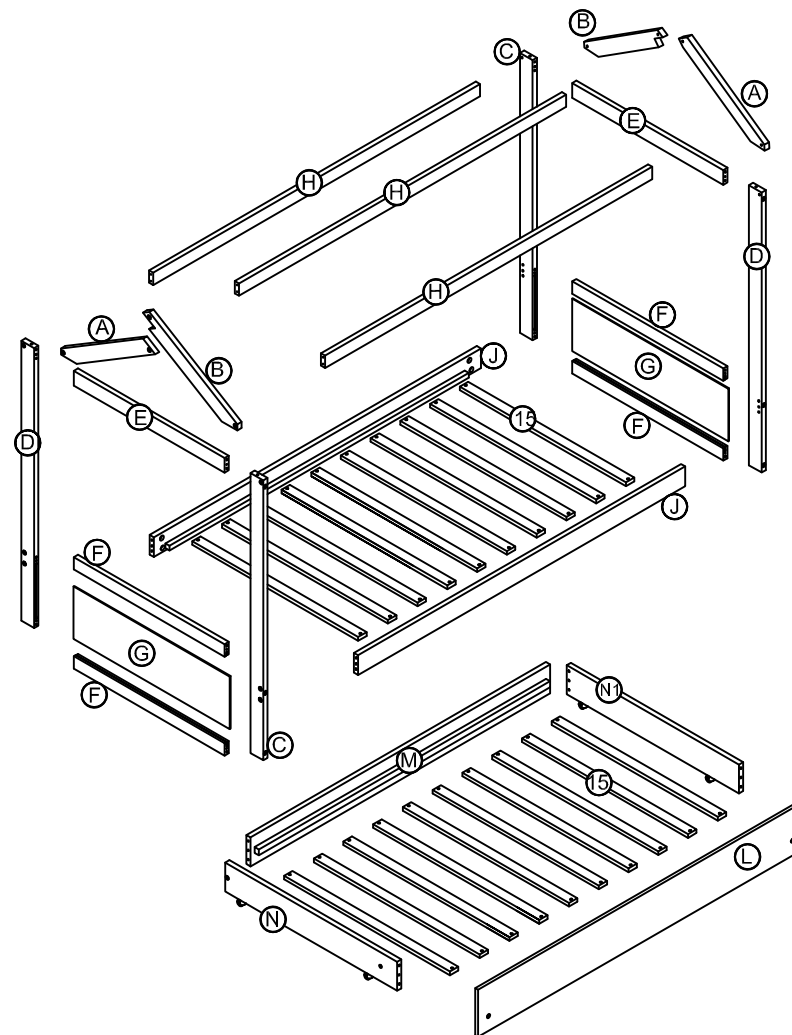
## BEDHOUSE WITH TRUNDLE



WF287825

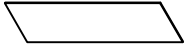



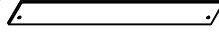

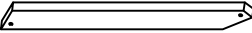
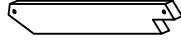
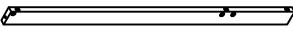
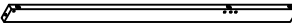
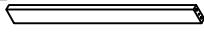
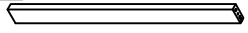
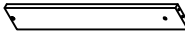
1

### DETAIL VIEW



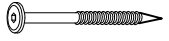
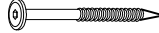

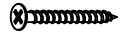





2

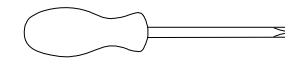
## PART LISTS - WF287825

<b>G</b>  Side panel - 2pcs	<b>H</b>  Guard rail top 3pcs	<b>J</b>  Side rail upper -2pcs
<b>15</b>  Upper slat - 20pcs	<b>L</b>  Drawer front - 1pc	<b>M</b>  Drawer back - 1pc
<b>A</b>  Cap for lower HB&FB-2pcs	<b>B</b>  Cap for upper HB&FB-2pcs	<b>C</b>  Upper leg HB&FB -2pcs
<b>D</b>  Upper leg HB&FB -2pcs	<b>E</b>  Horizontal bar HB&FB-2pcs	<b>F</b>  Horizontal bar HB&FB-4pcs
<b>N/N1</b>  Drawer Left/Right - 2pcs		

## HARDWARE LISTS - WF287825

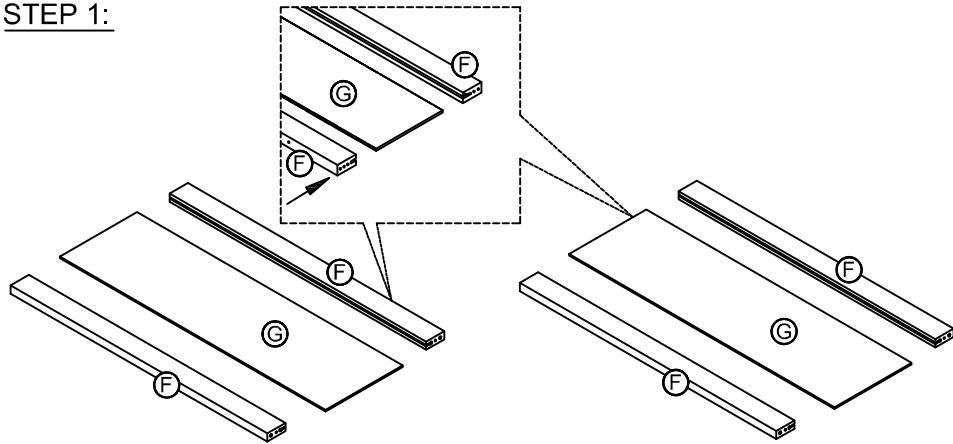
<b>1</b>  Ø10 x 30 mm Wood dower 40pcs	<b>2</b>  Ø1/4" x 65 mm Hex-Head bolts (12pcs)	<b>3</b>  Ø6" x 110 mm Wood Screws (12pcs)
<b>4</b>  Ø6" x 70 mm Hex-Head bolts (12pcs)	<b>5</b>  Ø1/4" x 15 mm(9.5mm) Horizontal-Hole bolts 12pcs	<b>6</b>  # 4 x 30mm Wood Screws (40pcs)
<b>7</b>  # 4 x 20mm Wood Screws ( 8pcs )	<b>8</b>  Wheels Ø32 ( 4pcs )	<b>9</b>  (1/4")4.5*58mm Allen Key (1pc)

ASSEMBLY TOOLS REQUIRED ( NOT INCLUDED )



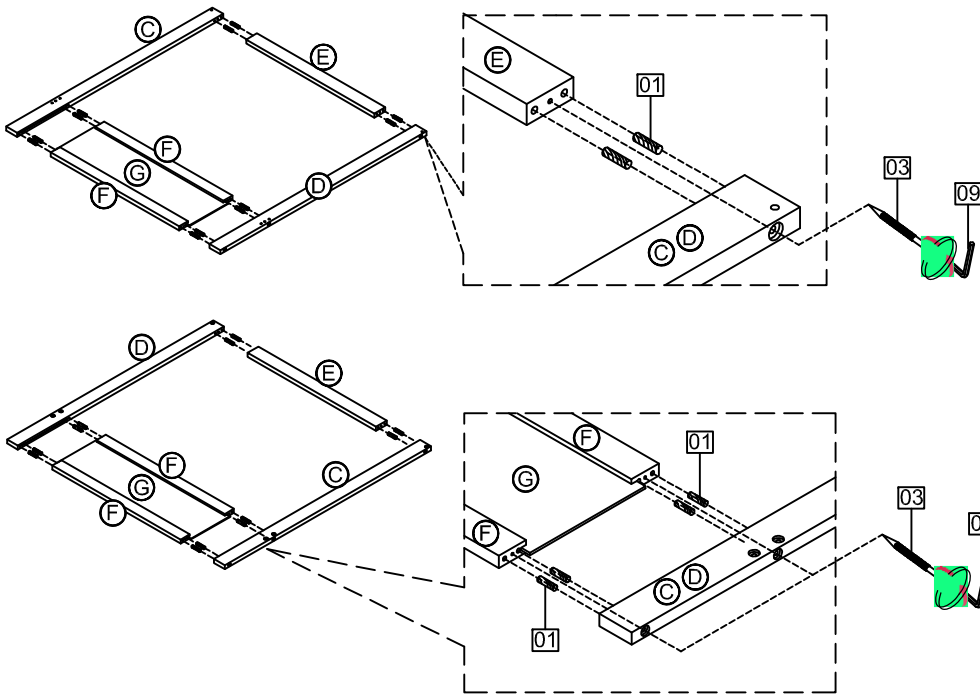
PLEASE BE CAREFUL DO NOT DAMAGE THE HOLE POSITION WHEN YOU USE POWER TOOLS !

STEP 1:



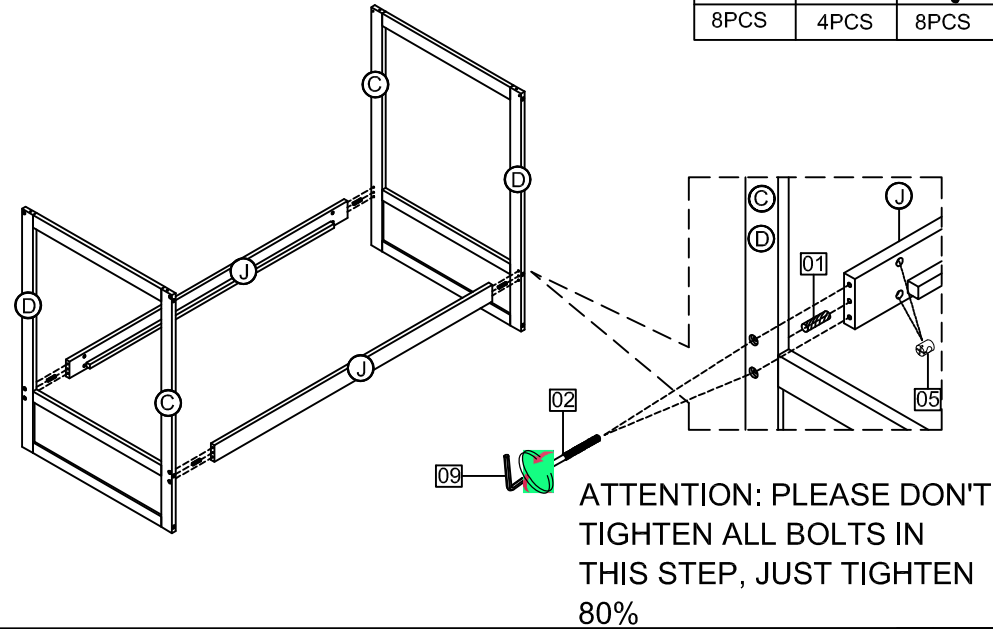
STEP 2:

01	03
24PCS	12PCS



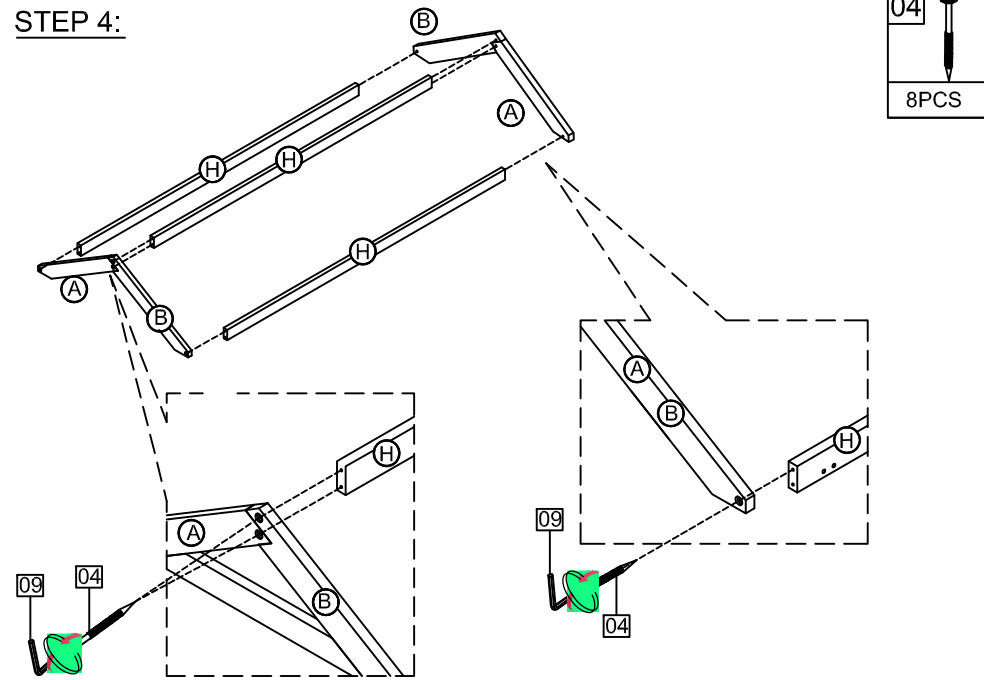
STEP 3:

05	01	02
8PCS	4PCS	8PCS



STEP 4:

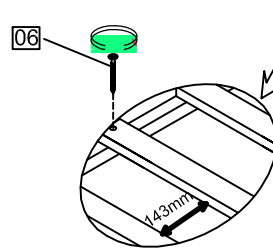
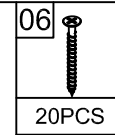
04
8PCS





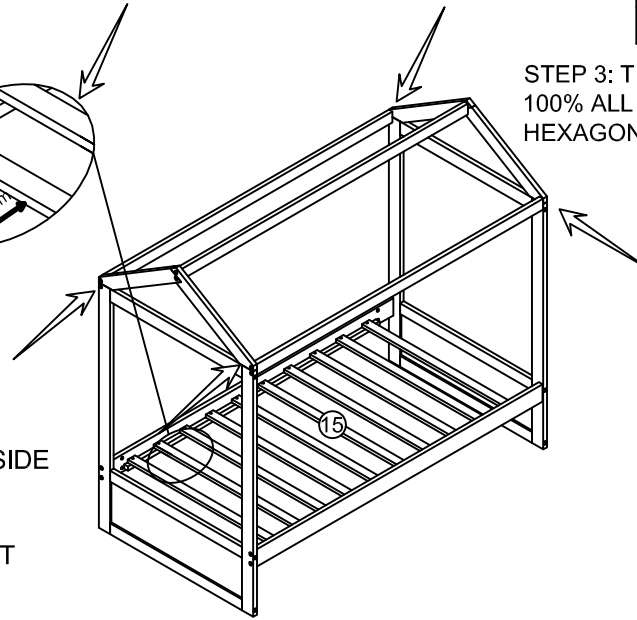
STEP 9:

STEP 2: SCREW  
ALL SLATS



STEP 3: TIGHTEN  
100% ALL  
HEXAGON BOLTS

STEP 1: PULL SIDE  
RAIL CLOSE  
TOGETHER  
ENOUGH TO FIT  
THE SLATS



STEP 10:

**Assembly Complete**

