

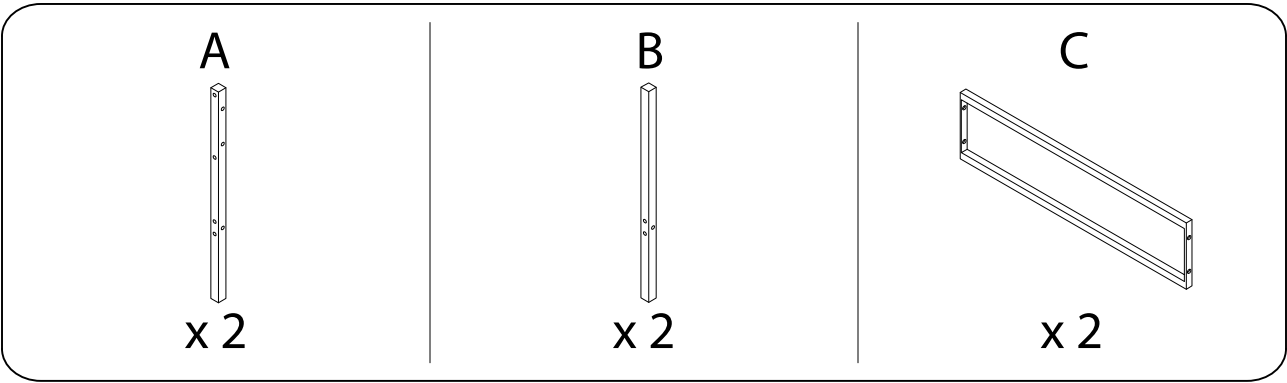
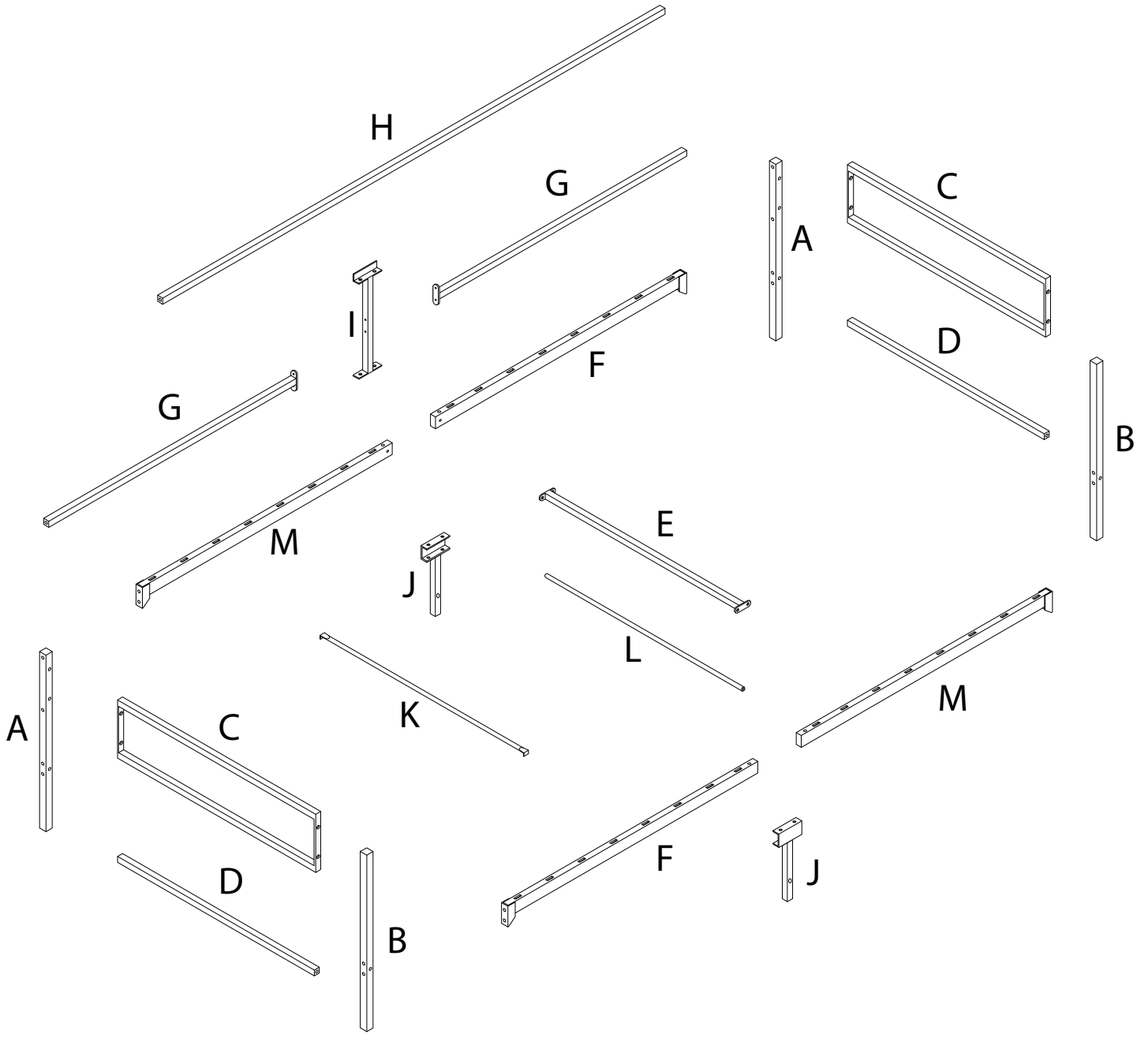
Assembly instructions for the bed frame, including tool requirements, time, and personnel.

Tools: An icon shows an Allen key and a wrench inside a circle, and a power drill with a diagonal line through it, indicating that a power drill is not required.

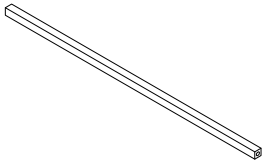
Warning: A triangle with an exclamation mark indicates a warning.

Time: A clock icon is shown next to the number "45'", indicating the estimated assembly time is 45 minutes.

Personnel: An icon of a person is shown next to the number "2", indicating that two people are required for assembly.

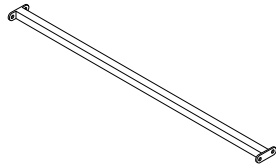


D



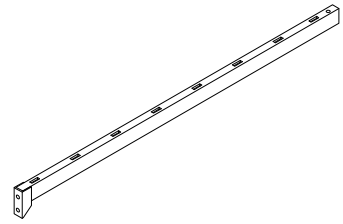
x 2

E



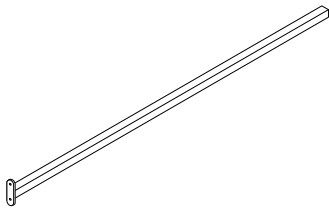
x 1

F



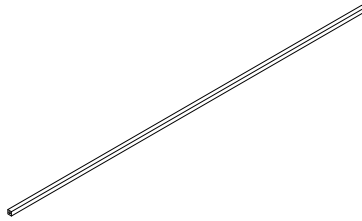
x 2

G



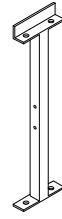
x 2

H



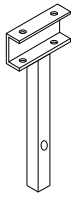
x 2

I



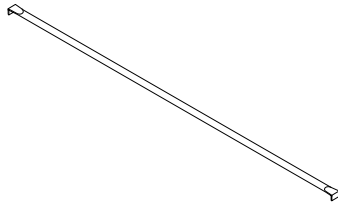
x 1

J



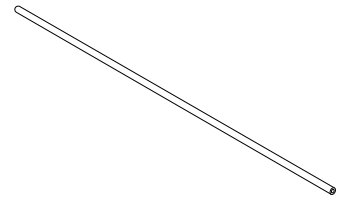
x 2

K



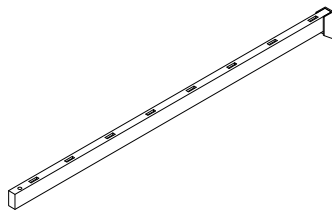
x 16

L



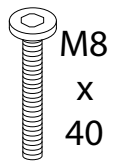
x 1

M



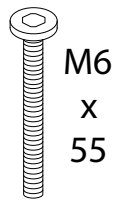
x 2

1



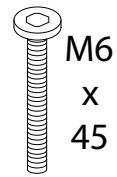
x 8

2



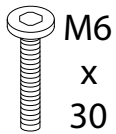
x 4

3



x 8

4



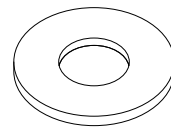
x 2

5



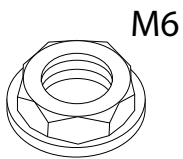
x 16

6



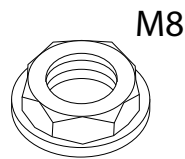
x 16

7



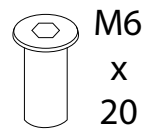
x 4

8



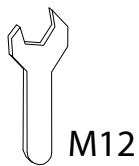
x 4

9



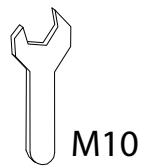
x 2

10



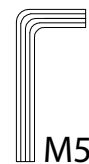
x 1

12



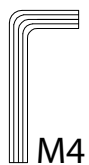
x 1

13



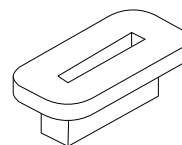
x 1

14







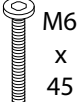



x 1

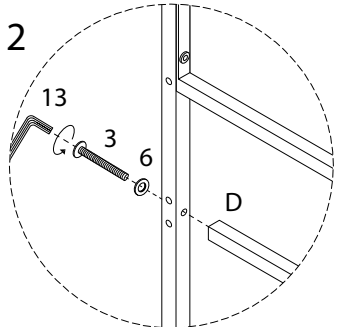
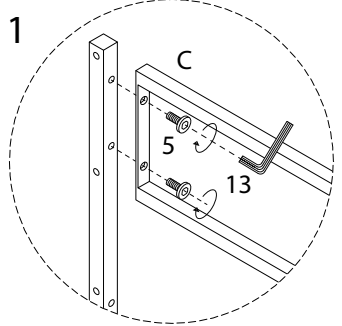
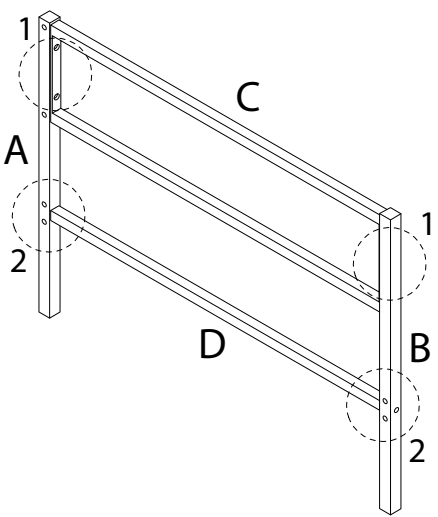
15





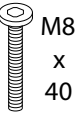
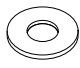



x 32

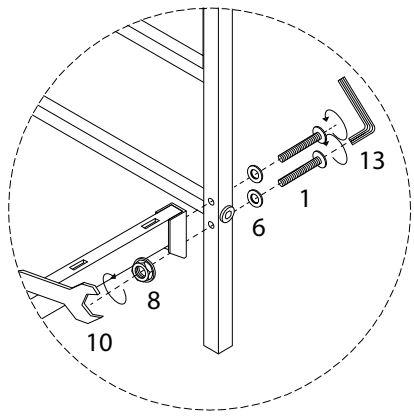
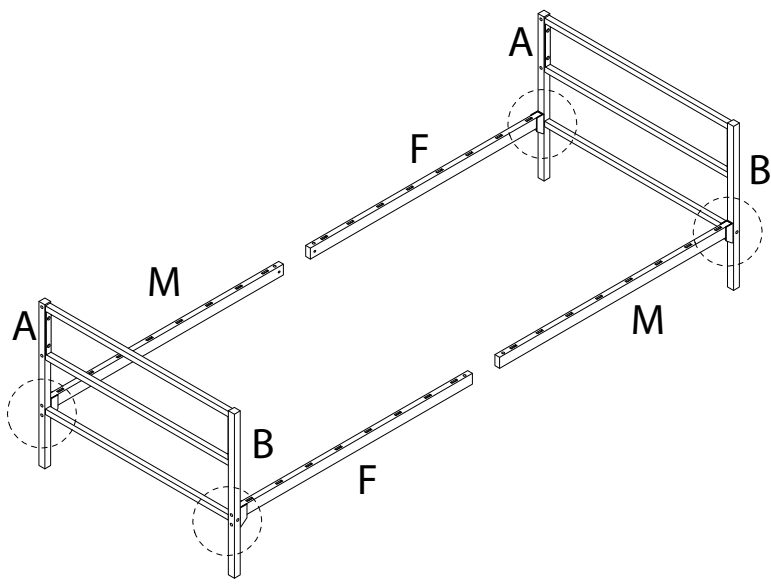
1 x 2

A	B	C	D	3	5	6	13
				 M6 x 45	 M6 x 16		 M5
x 1	x 1	x 1	x 1	x 2	x 4	x 2	x 1

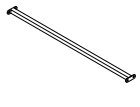

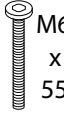






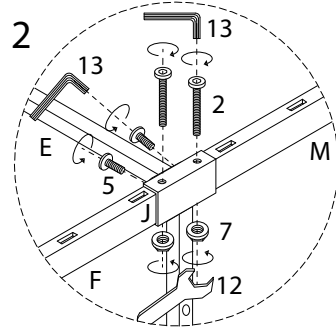
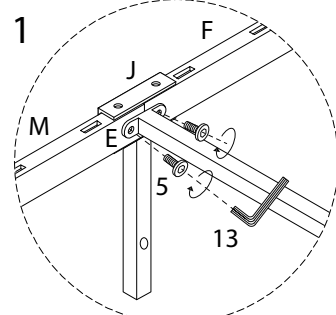
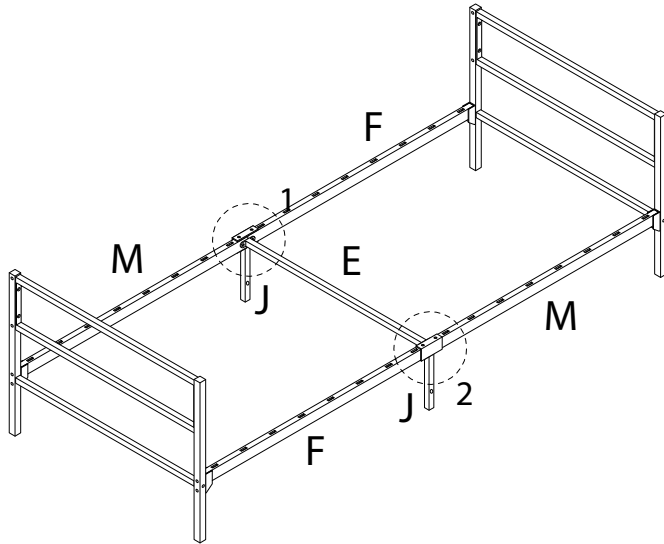
2

F	M	1	6	8	10	13
		 M8 x 40		 M8	 M12	 M5
x 2	x 2	x 8	x 8	x 4	x 1	x 1


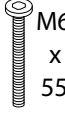





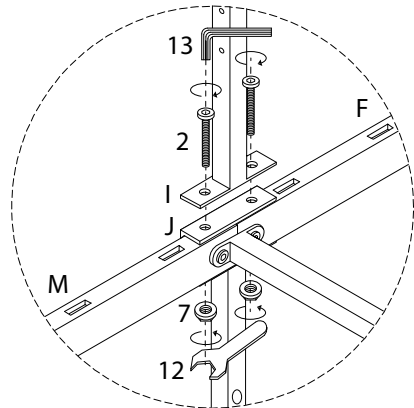
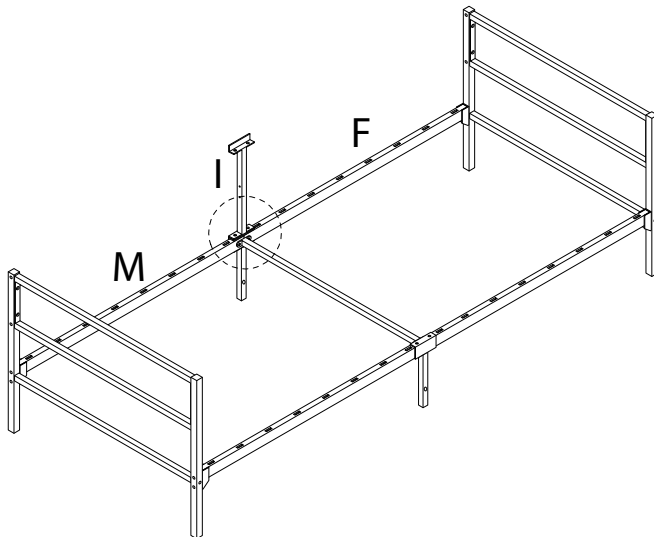
3

 x 1	 x 2	 x 2	 x 4	 x 2	 x 1	 x 1
--	--	--	--	---	--	--

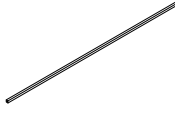
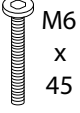





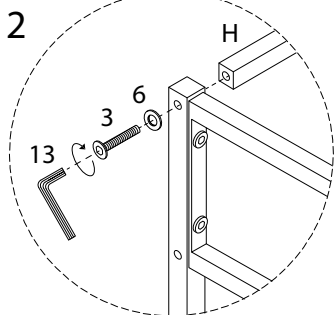
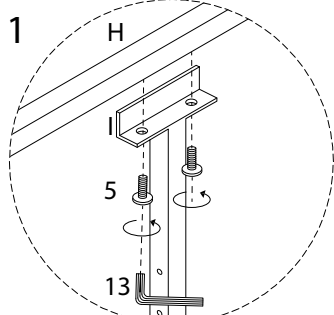
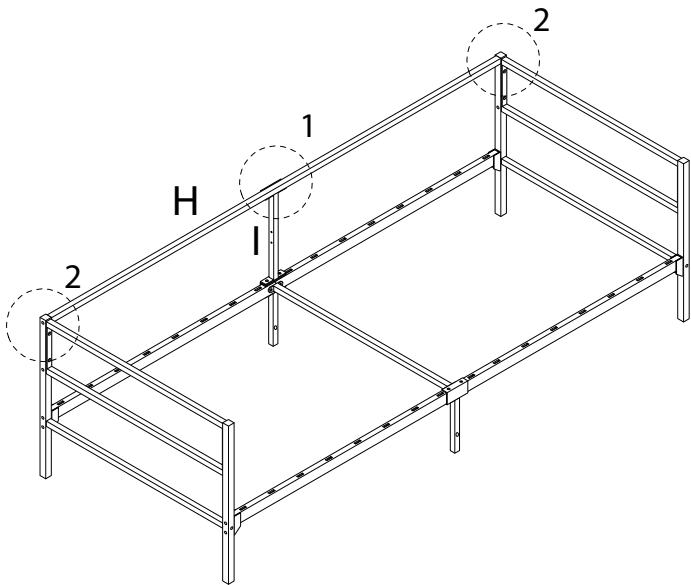
4

 x 1	 x 2	 x 2	 x 1	 x 1
--	--	--	--	--


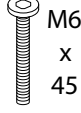

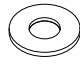
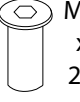




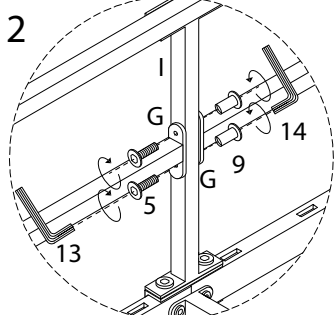
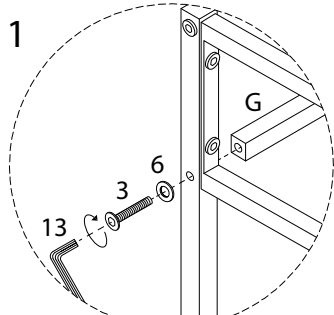
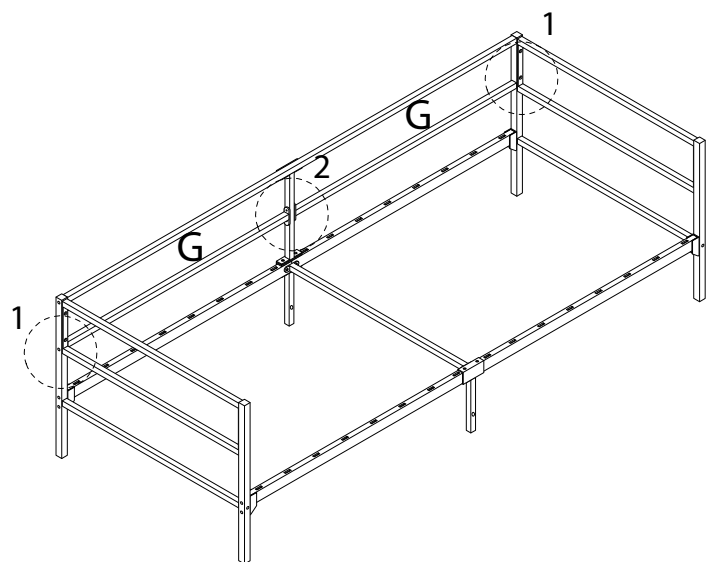
5

H	3	5	6	13
	 M6 x 45	 M6 x 16		 M5
x 1	x 2	x 2	x 2	x 1

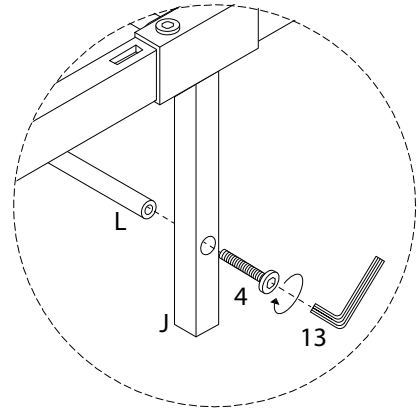
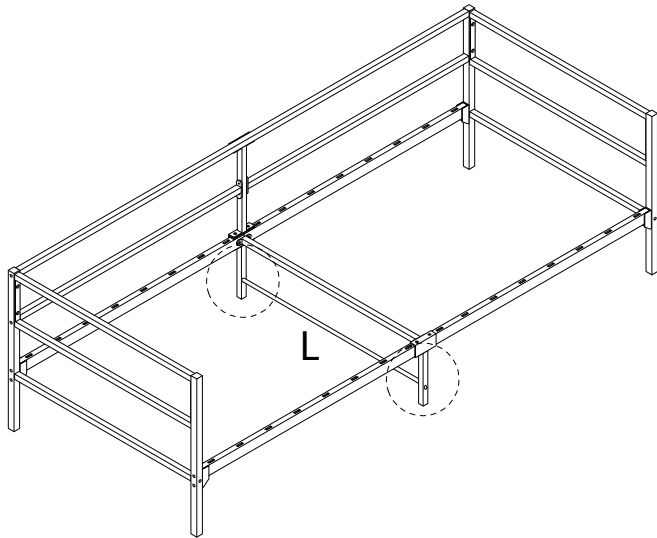
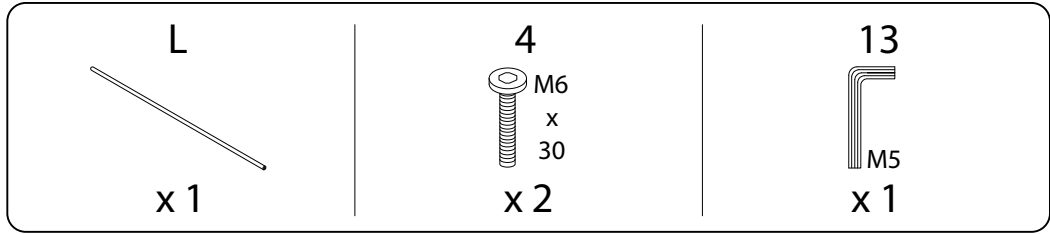


6

G	3	5	6	9	13	14
	 M6 x 45	 M6 x 16		 M6 x 20	 M5	 M4
x 1	x 2	x 2	x 2	x 2	x 1	x 1



7



8

