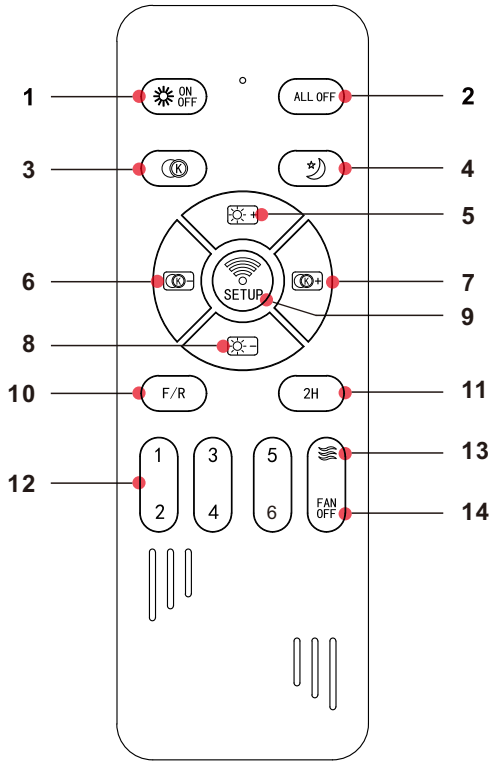


LED CEILING LAMP WITH FAN



NOTICE:

This remote control does not contain batteries. Please insert 2x1.5V batteries before use.

EN

OPERATING INSTRUCTIONS

Thank you for your purchase! Before install the product, Please read this instruction carefully, and keep it for further reference.

1.PRODUCT PARAMETERS

Category	LED Ceiling Light with Fan
Size	590*590*H130mm
Wattage	45+13W
Luminous flux	4500lm
Color temperature	3000-6000K
Input Voltage	AC185-240V
Color rendering index	≥80Ra
Working Temperature	-20~55°C
Lifespan	30000H
Certifications	CE ROHS

OPERATING INSTRUCTIONS

CODE MATCHING:

Turn on the power switch, press the "ON/OFF" button within 3 seconds, and the light will flash 3 times to successfully match the code.

KIND REMINDER:

When the remote control cannot be effectively controlled, please check the battery, if it is not used for a long time, please remove the battery.

NOTE: Both the fan and the light will be controlled by the remote.

The wall switch (if applicable) is not able to control all functions of the fixture.

MEMORY FEATURES

The last color/brightness settings are remembered when it's turned off/on by the remote. If it's turned off at wall switch, the last color/brightness settings will be remembered only after that setting operated over 10 seconds.

REVERSE DIRECTION

Wait for the fan to stop and reverse blade direction after pressing the Forward or Reverse button.

1	ON/OFF	Turn on/ off the light
2	ALL OFF	Turn off the light and fan
3	Color Temp	Color temperature switch (3000K/4000K/6000K)
4	Moon	Night light
5	Brightness+	Brightness+
6	Color Temp -	Color Temperature -
7	Color Temp +	Color Temperature +
8	Brightness-	Brightness-
9	SETUP	Remote control pairing
10	F/R	Fan forward/reverse switch
11	2H	Auto turn off after 2 hours
12	1~6	Wind speed 1-6 gear
13	Natural Wind	Natural wind
14	FAN OFF	Turn off the fan

