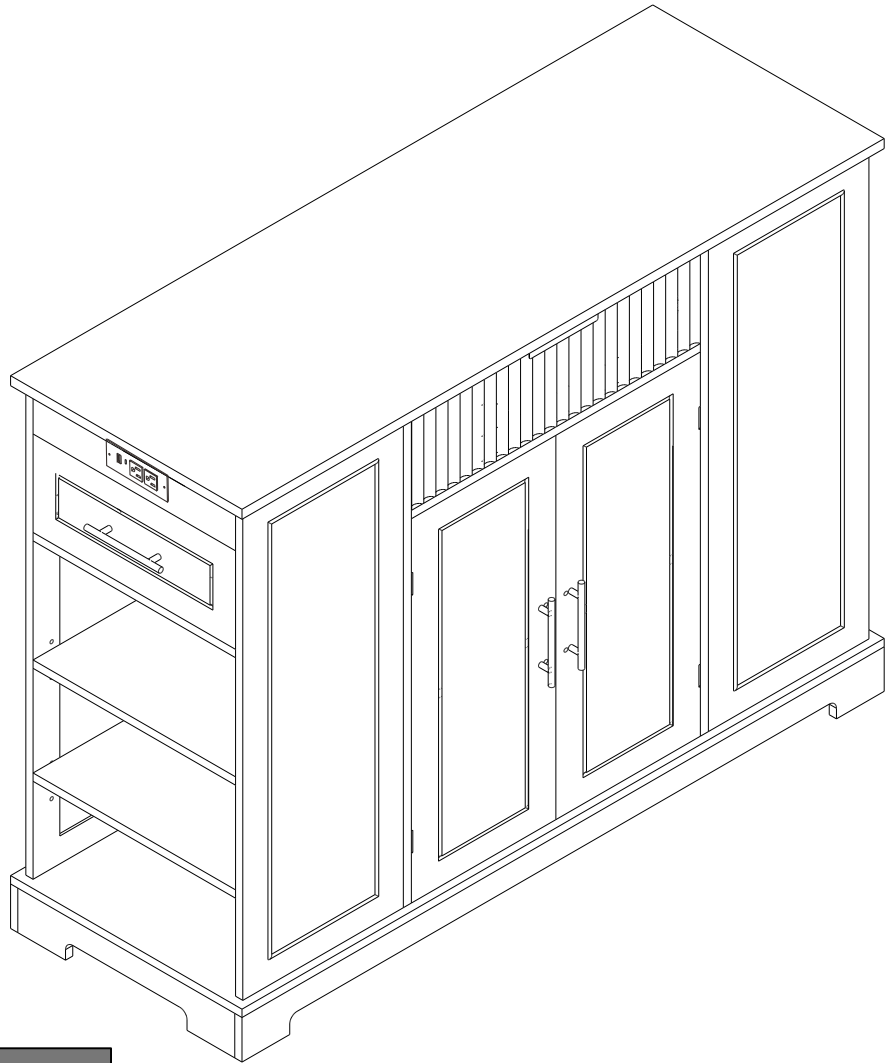


# Kitchen Island Carts

Assembly Instructions - Please keep for future reference

N707P221571



## Dimensions

Width-47.2inch

Depth-20.5inch

Height-36.2inch

**Important – Please read these instructions fully before starting assembly**

Issue 1 - 1 20/09/24



# Safety and Care Advice

**Important – Please read these instructions fully before starting assembly**

- Check you have all the components and tools listed on the following pages.
- Remove all fittings from the plastic bags and separate them into their groups.
- Keep children and animals away from the work area, small parts could choke if swallowed.
- Make sure you have enough space to layout the parts before starting.
- During assembly do not stand or put weight on the product, this could cause damage.
- Assemble the item as close to its final position (in the same room) as possible.
- Assemble on a soft level surface to avoid damaging the unit or your floor.
- Parts of the assembly will be easier with 2 people.



- To reduce the likelihood of damaging your product please ensure that your power drill is set on a low torque setting.

## Care and maintenance

- Only clean using a damp cloth and mild detergent, do not use bleach or abrasive cleaners.
- From time to time check that there are no loose screws on this unit.
- This product should not be discarded with household waste. Take to your local authority waste disposal centre.

## Handy Hints

- Assemble all parts and bolts loosely during assembly, only once the product is complete should you fully tighten the bolts
- Regularly check and ensure That all bolts and fittings are tightend properly.

## **WARNING** In order to help prevent overturning – please follow these instructions

To help prevent product toppling over please follow the below steps:-

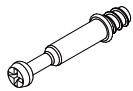

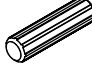

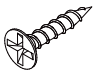
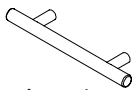
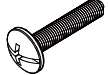
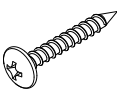
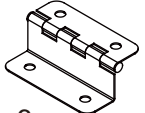
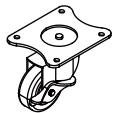


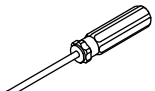


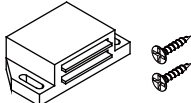

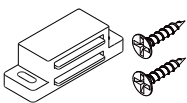
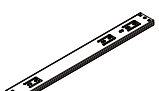
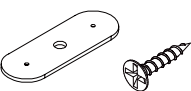
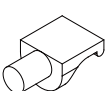
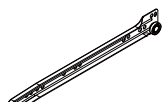

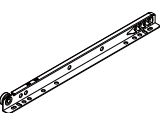
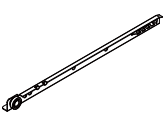
- Use the anti tip stap or wall fixing method provided (if applicable)
- Do not allow children to climb or hang on the furniture
- Do not open more than one drawer at a time
- Do not place heavy items in the top drawers
- Do not place heavy items on top of the furniture, unless the furniture has been designed for this purpose

Please note that only the anti tip strap is provided.  
You will need to provide wall plugs and screws applicable for your wall type

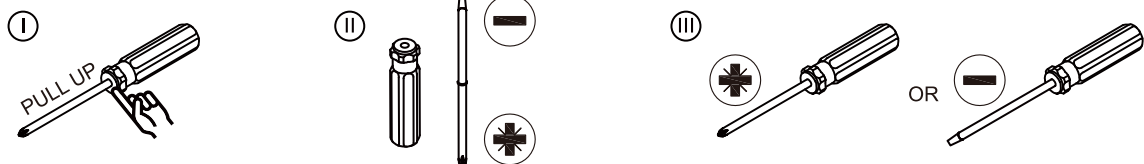
# Components - Fittings

Please check you have all the panels listed below

Note: The quantities below are the correct amount to complete the assembly. In some cases more fittings may be supplied than are required.

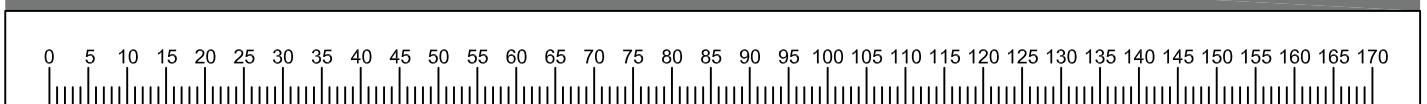
 (A) Cam Bolt x 72	 (B) Cam lock x 72	 (C) 8*30mm Dowel x 65	 (D) 4*35mm Screw x 24
 (E) 3.5*12mm Screw x 67	 (F) Hold hands x 4	 (G) 4*16mm Screw x 8	 (H) Layer bracket x 8
 (I) 4*25mm Screw x 20	 (J) Hinge x 6	 (K) Caster x 3	 (L) Locking caster x 2
 (M) 6*14mm Screw x 20	 (N) 120mm hands x 1	 (O) Screwdriver x 1	 (P) Hinge x 1
 (Q) Hinge x 1	 (R) Magnetic impact x 2	 (S) Extension cord x 1	 (T) Magnetic impact x 1
 (U) Runner 290mm x 2	 (V) 3*10mm Screw x 3	 (W) Layer bracket x 4	 (CR) Runner 250mm x 2
 (CL) Runner 250mm x 2	 (DR) Runner 250mm x 2	 (DL) Runner 250mm x 2	

## Tools required



Screwdrivers can be converted to Phillips and Slotted.

## Ruler - Use this ruler to help correctly identify the screws



The screws length is measured from the head to the point (35mm screw shown).

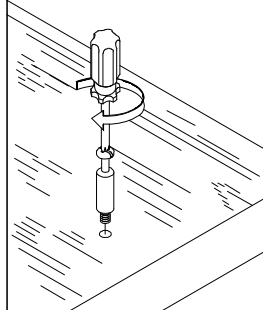
# Using Camlocks

## Step 1

Connect the male camlock as directed in the assembly instructions using a screwdriver.

1

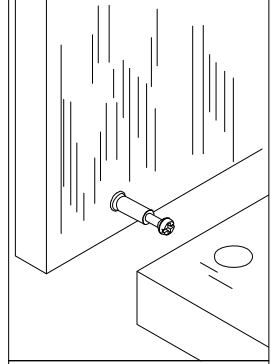
DO NOT OVER TIGHTEN.  
NE PAS SERRER EXCESSIVEMENT.



## Step 2

Push the male camlock into the entry hole.

2

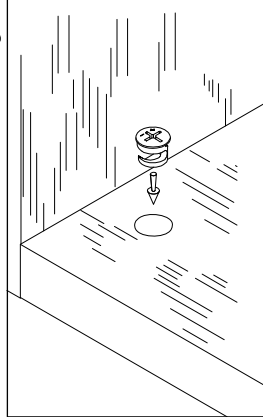


## Step 3

Insert the female camlock as shown in the instruction.

Note : ensure that the arrow on the top of the camlock points towards the entry hole for the male camlock.

3



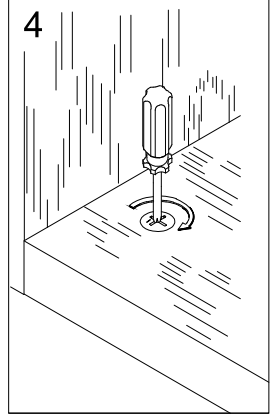
## Step 4

Turn the female camlock clockwise with a screwdriver.

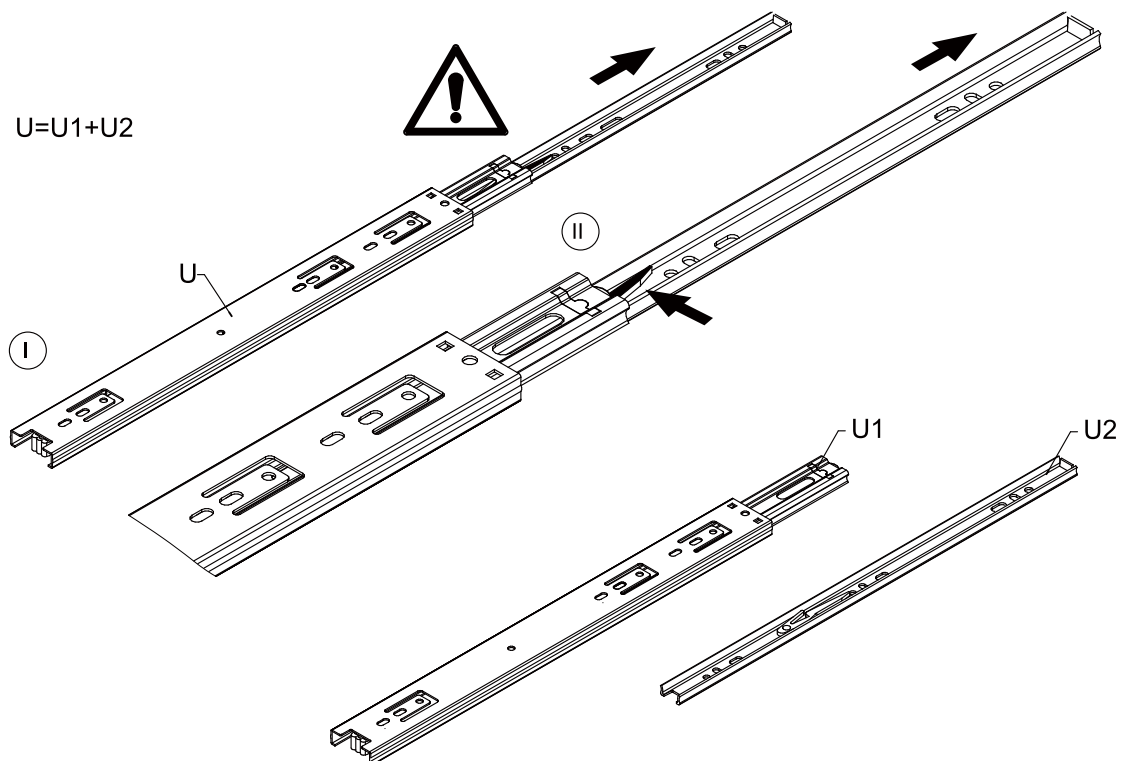
You should feel a click when the camlock is locked in place.

The joint is now secure .

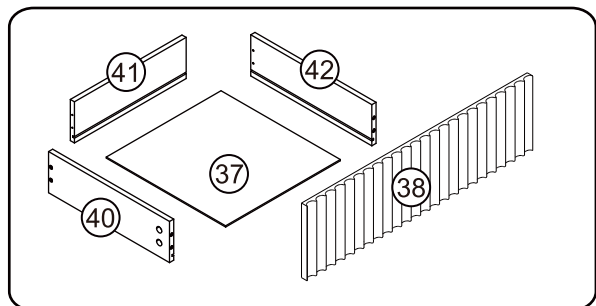
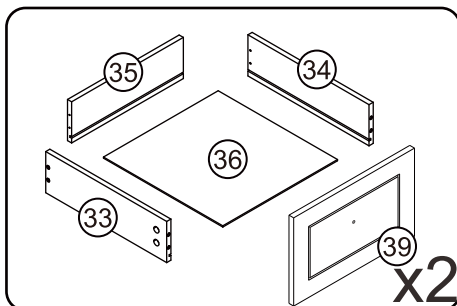
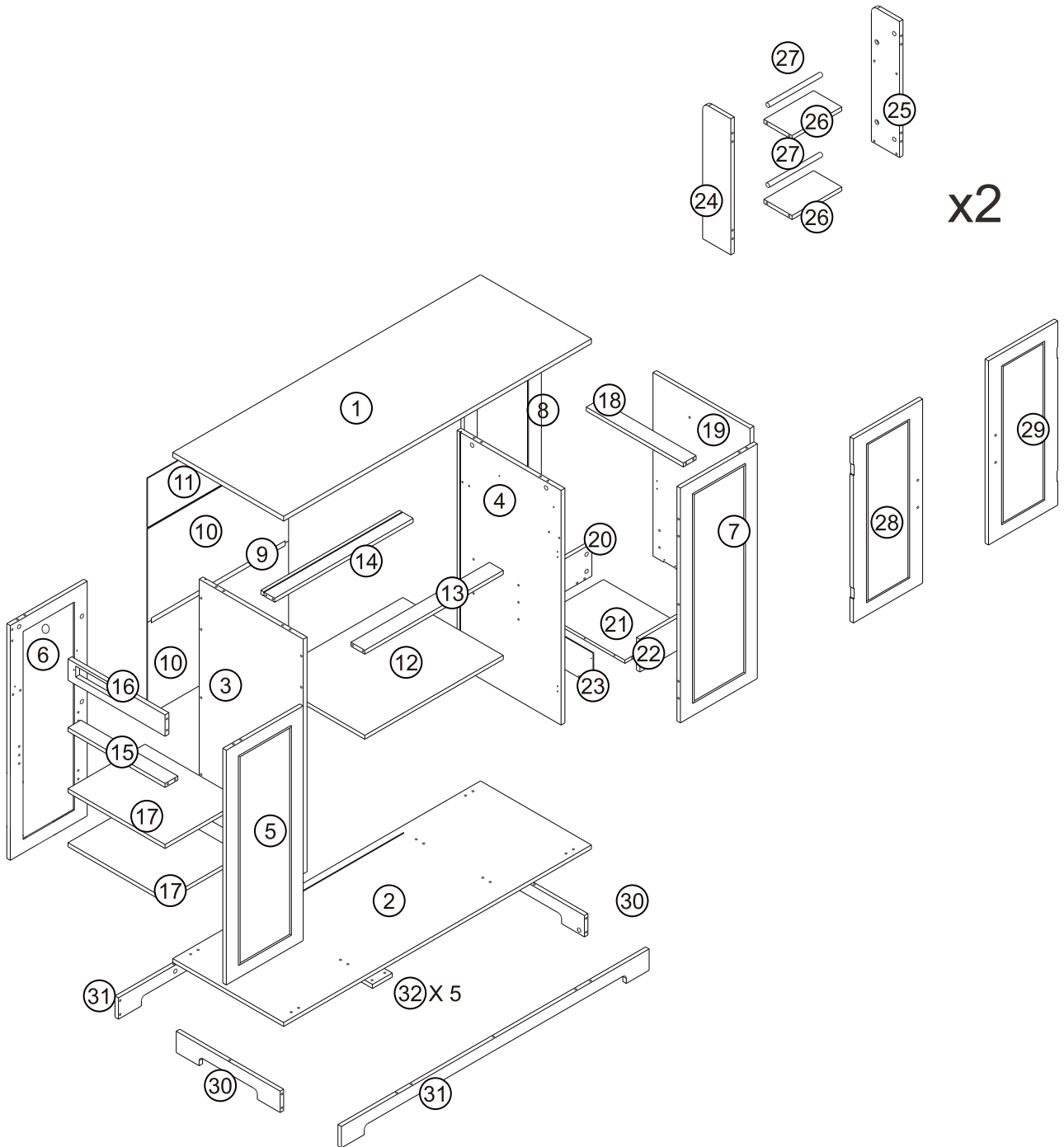
4



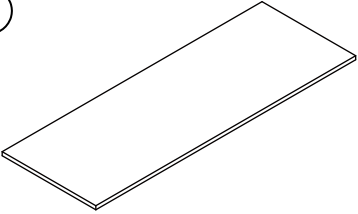
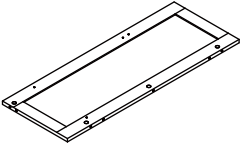
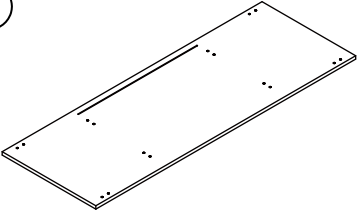
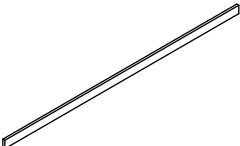
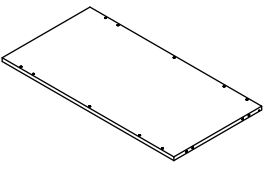
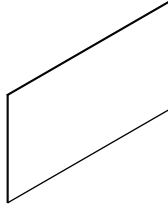
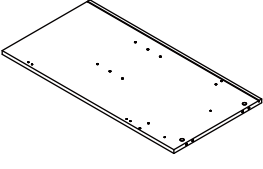
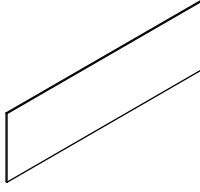
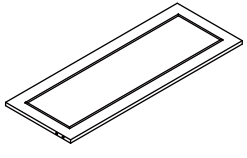
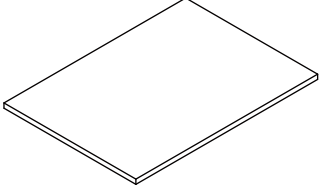
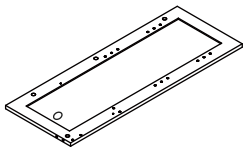
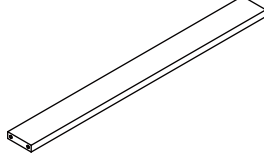
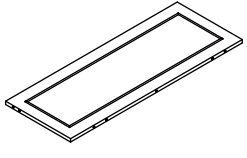
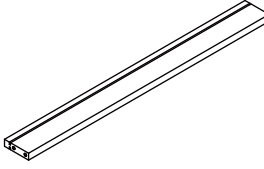
$U=U1+U2$



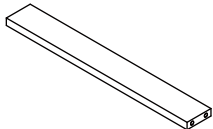
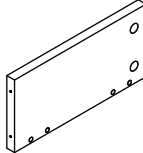
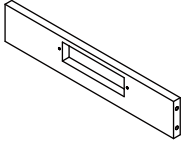
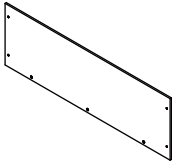
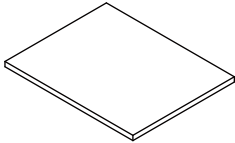
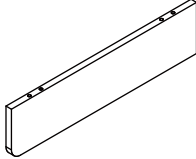
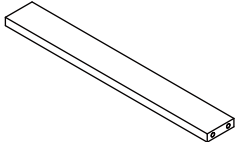
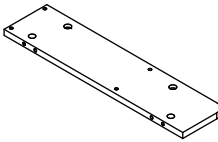
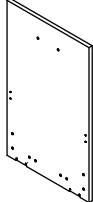
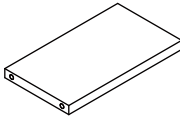
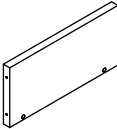
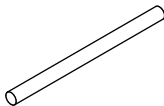
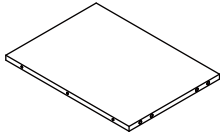
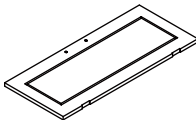
# Assembly Instructions



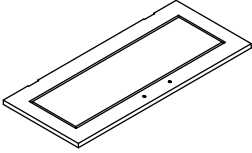

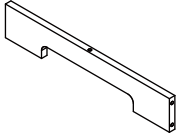

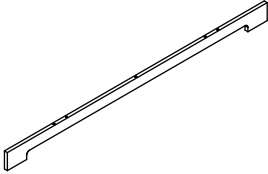
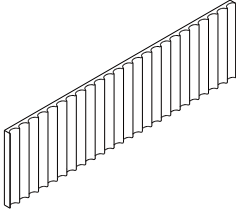
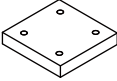
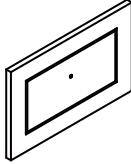
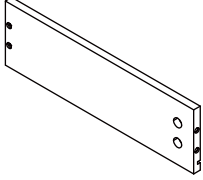
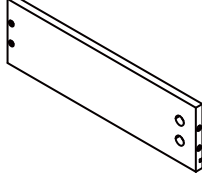
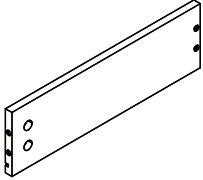
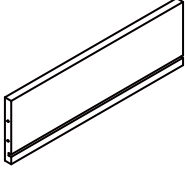
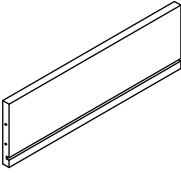
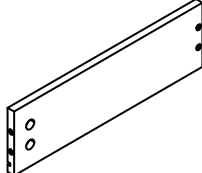
# Assembly Instructions

<p>①</p>  <p>1200 x 520 x 15 mm</p> <p>1</p>	<p>⑧</p>  <p>790 x 285 x 12 mm</p> <p>1</p>
<p>②</p>  <p>1119 x 510 x 15 mm</p> <p>1</p>	<p>⑨</p>  <p>570 x 12 x 5 mm</p> <p>1</p>
<p>③</p>  <p>790 x 490 x 12 mm</p> <p>1</p>	<p>⑩</p>  <p>583 x 327 x 3 mm</p> <p>2</p>
<p>④</p>  <p>790 x 490 x 12 mm</p> <p>1</p>	<p>⑪</p>  <p>581 x 143 x 3 mm</p> <p>1</p>
<p>⑤</p>  <p>790 x 285 x 12 mm</p> <p>1</p>	<p>⑫</p>  <p>572 x 365 x 12 mm</p> <p>1</p>
<p>⑥</p>  <p>790 x 285 x 12 mm</p> <p>1</p>	<p>⑬</p>  <p>572 x 80 x 12 mm</p> <p>1</p>
<p>⑦</p>  <p>790 x 285 x 12 mm</p> <p>1</p>	<p>⑭</p>  <p>572 x 80 x 12 mm</p> <p>1</p>

# Assembly Instructions

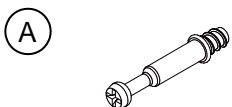
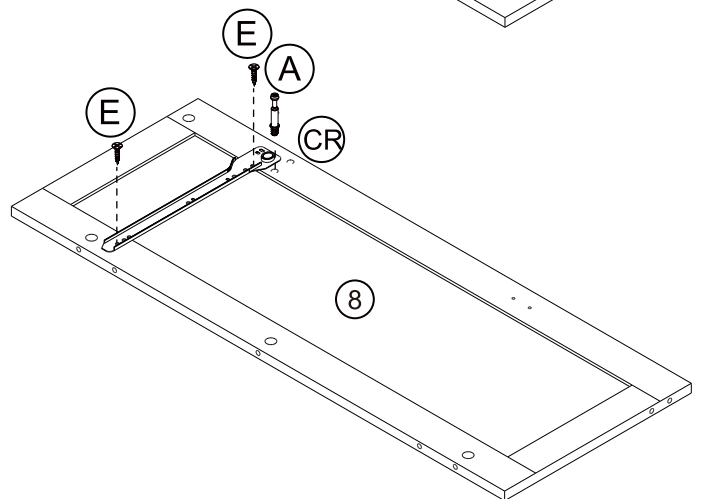
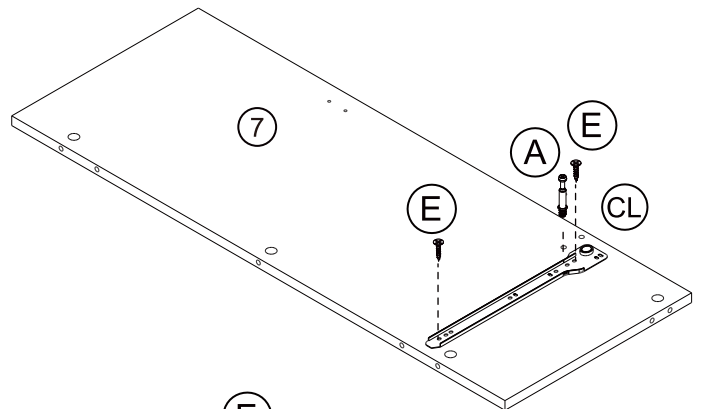
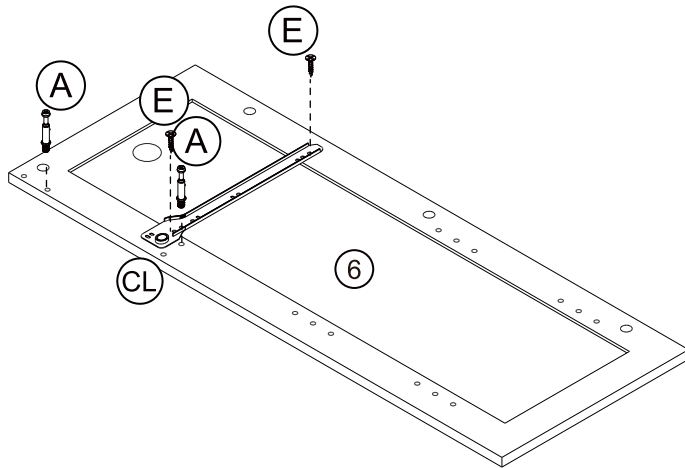
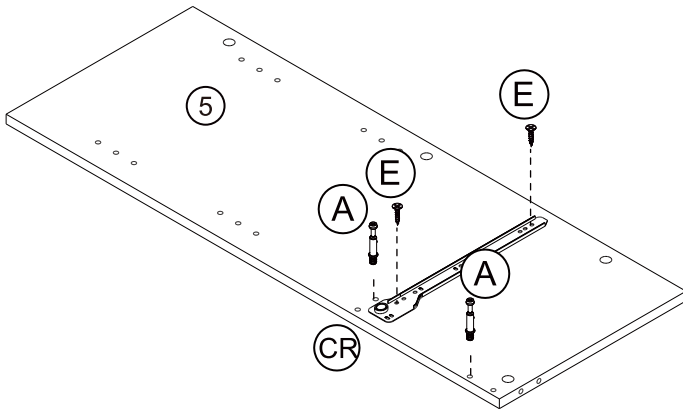
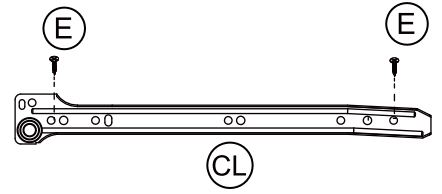
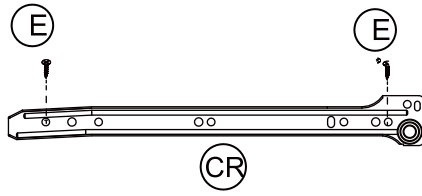
<p>15</p>  <p>457 x 60 x 12 mm</p> <p>1</p>	<p>22</p>  <p>265 x 180 x 12 mm</p> <p>1</p>
<p>16</p>  <p>457 x 90 x 15 mm</p> <p>1</p>	<p>23</p>  <p>415 x 180 x 3 mm</p> <p>1</p>
<p>17</p>  <p>457 x 283 x 12 mm</p> <p>2</p>	<p>24</p>  <p>500 x 90 x 12 mm</p> <p>2</p>
<p>18</p>  <p>457 x 60 x 12 mm</p> <p>1</p>	<p>25</p>  <p>500 x 90 x 12 mm</p> <p>2</p>
<p>19</p>  <p>640 x 454 x 12 mm</p> <p>1</p>	<p>26</p>  <p>200 x 88 x 12 mm</p> <p>4</p>
<p>20</p>  <p>265 x 180 x 12 mm</p> <p>1</p>	<p>27</p>  <p>220 x 12 x 12 mm</p> <p>4</p>
<p>21</p>  <p>390 x 265 x 12 mm</p> <p>1</p>	<p>28</p>  <p>637 x 282 x 12 mm</p> <p>1</p>

# Assembly Instructions

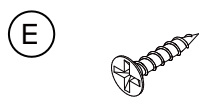
<p>②9</p>  <p>637 x 282 x 12 mm</p> <p>1</p>	<p>③6</p>  <p>416 x 245 x 5 mm</p> <p>2</p>
<p>③0</p>  <p>480 x 80 x 15 mm</p> <p>2</p>	<p>③7</p>  <p>532 x 345 x 5 mm</p> <p>1</p>
<p>③1</p>  <p>1119.2 x 80 x 15 mm</p> <p>2</p>	<p>③8</p>  <p>570 x 130 x 15 mm</p> <p>1</p>
<p>③2</p>  <p>90 x 70 x 18 mm</p> <p>5</p>	<p>③9</p>  <p>455 x 130 x 12 mm</p> <p>2</p>
<p>③3</p>  <p>250 x 97 x 12 mm</p> <p>2</p>	<p>④0</p>  <p>350 x 97 x 12 mm</p> <p>1</p>
<p>③4</p>  <p>250 x 97 x 12 mm</p> <p>2</p>	<p>④1</p>  <p>523 x 97 x 12 mm</p> <p>1</p>
<p>③5</p>  <p>408 x 97 x 12 mm</p> <p>2</p>	<p>④2</p>  <p>350 x 97 x 12 mm</p> <p>1</p>

# Assembly Instructions

## Step 1



Cam Bolt x 6



3.5\*12mm Screw x 8



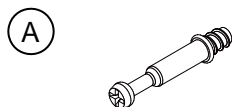
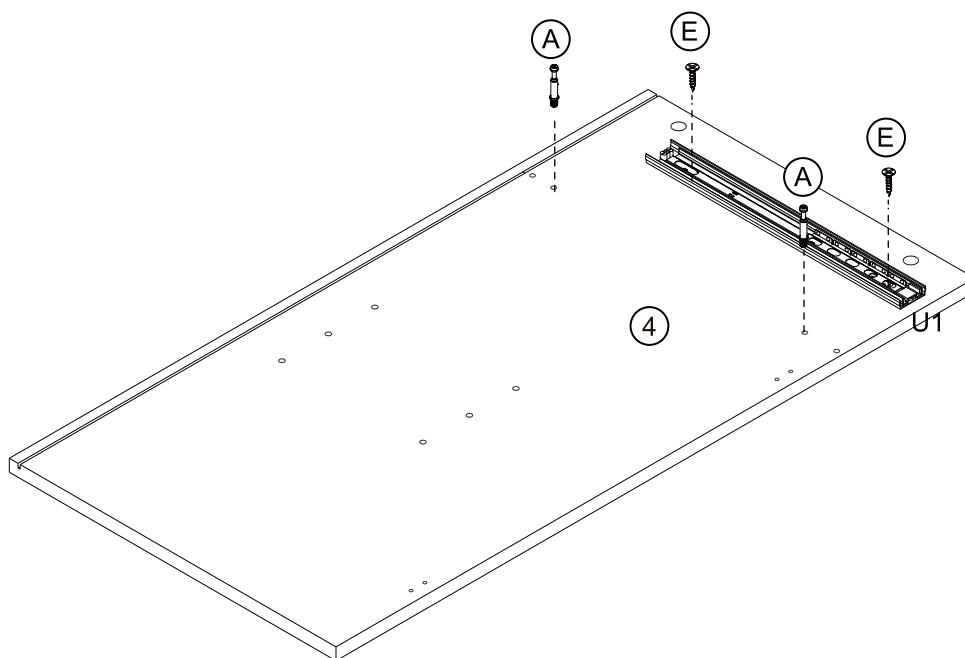
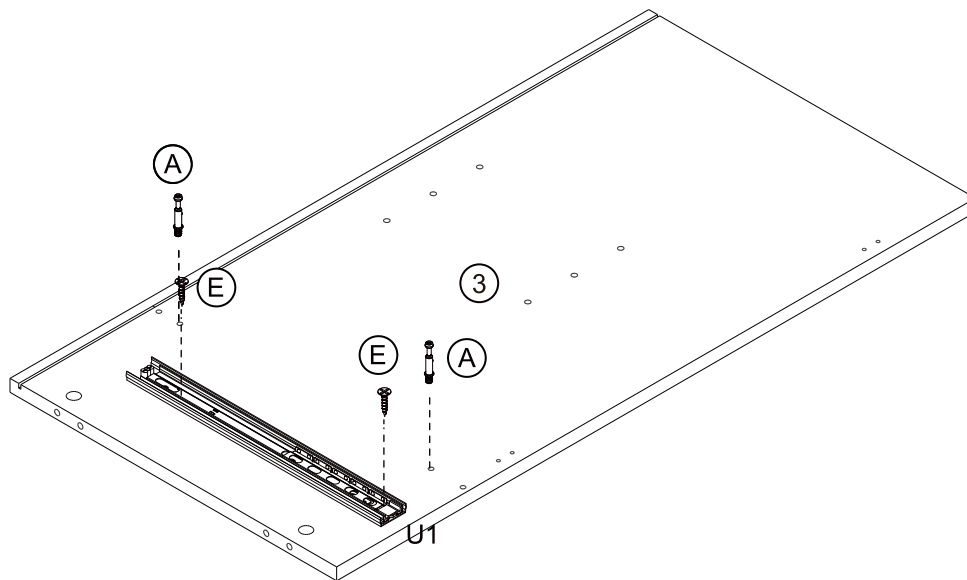
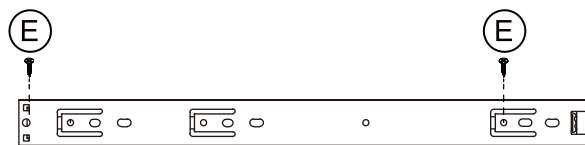
Runner 250mm x 2



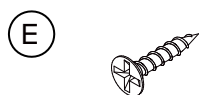
Runner 250mm x 2

# Assembly Instructions

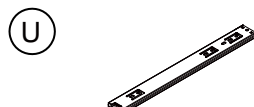
## Step 2



Cam Bolt x 4



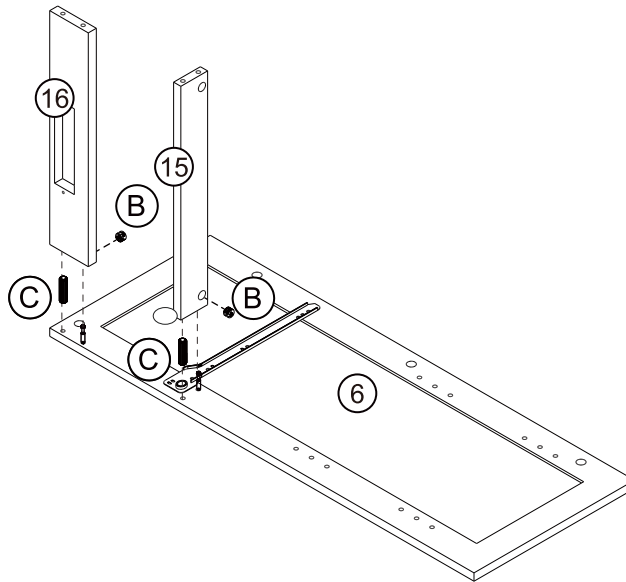
3.5\*12mm Screw x 4



Runner 290mm x 2

# Assembly Instructions

## Step 3



(B)



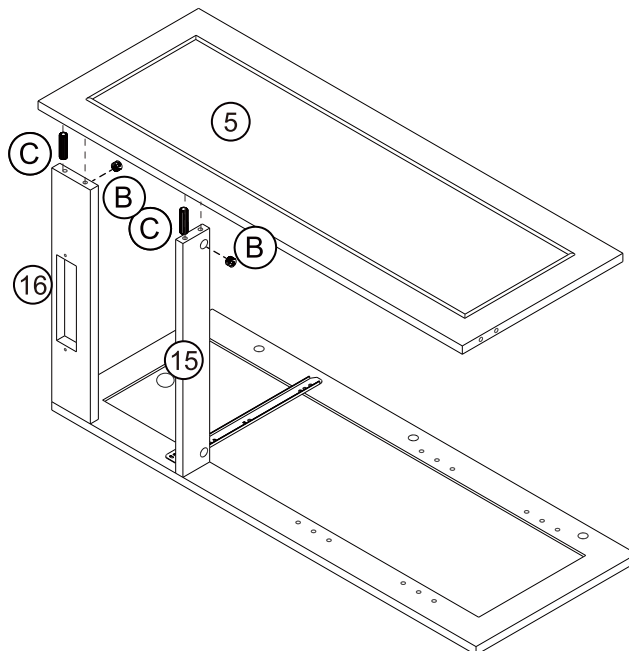
Cam lock x 2

(C)



8\*30mm Dowel x 2

## Step 4



(B)



Cam lock x 2

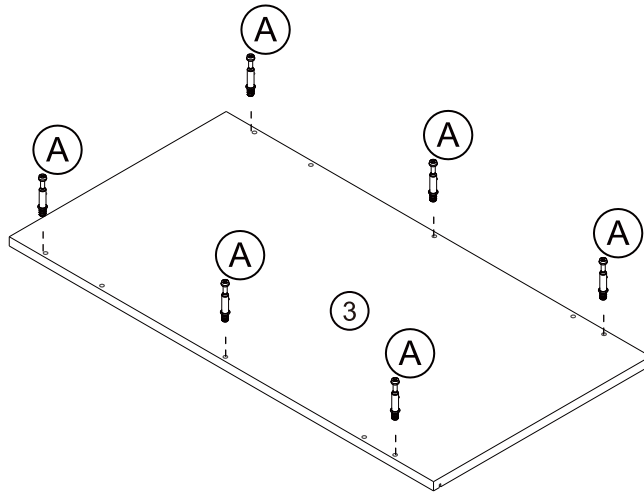
(C)



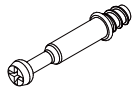
8\*30mm Dowel x 2

# Assembly Instructions

## Step 5

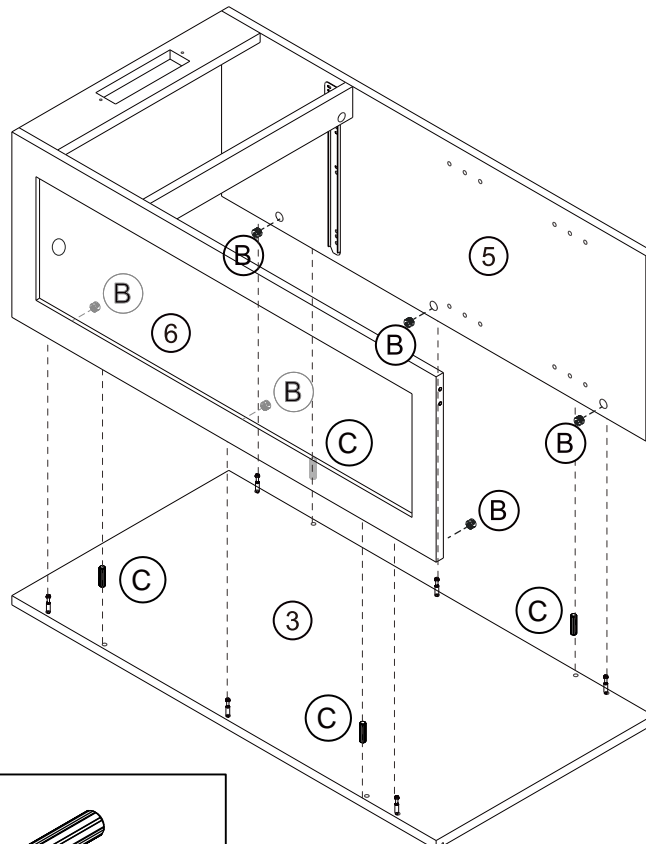


A



Cam Bolt x 6

## Step 6



B



Cam lock x 6

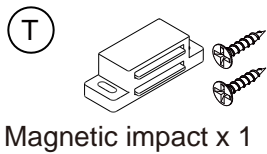
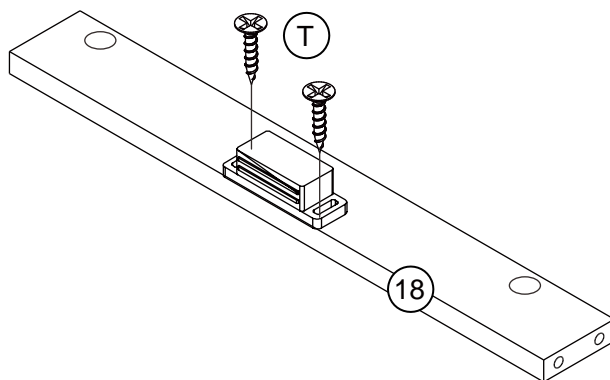
C



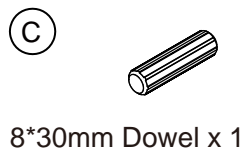
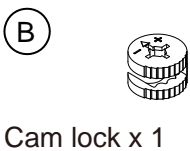
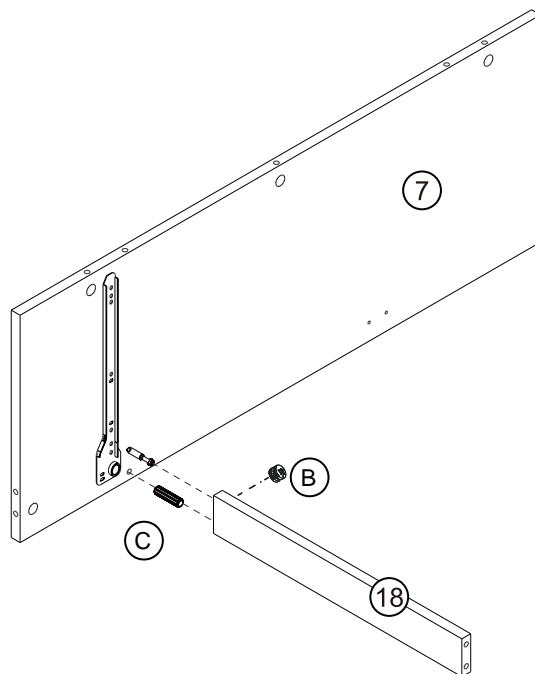
8\*30mm Dowel x 4

# Assembly Instructions

## Step 7

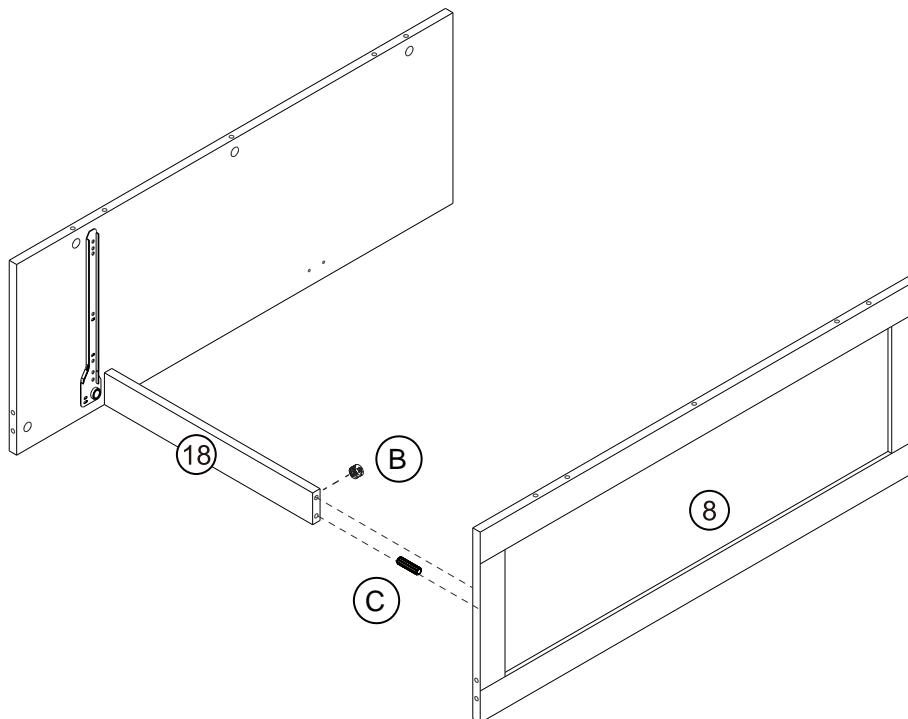


## Step 8



# Assembly Instructions

## Step 9



(B)



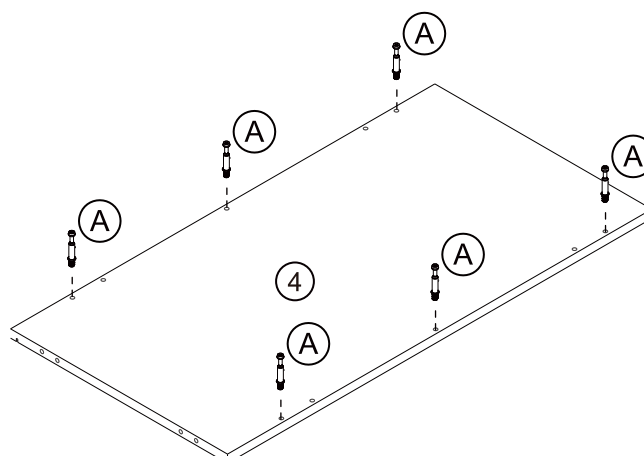
Cam lock x 1

(C)

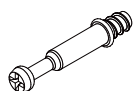


8\*30mm Dowel x 1

## Step 10



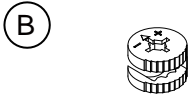
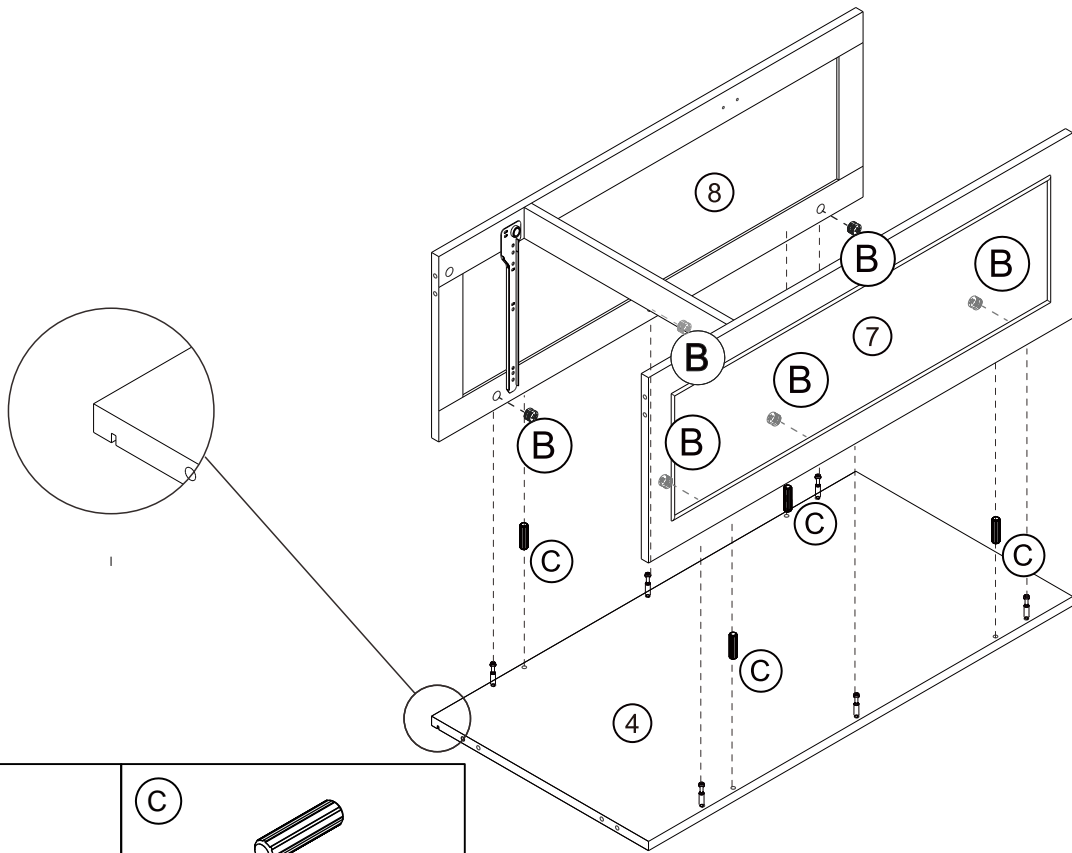
(A)



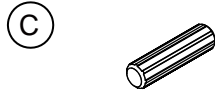
Cam Bolt x 6

# Assembly Instructions

## Step 11

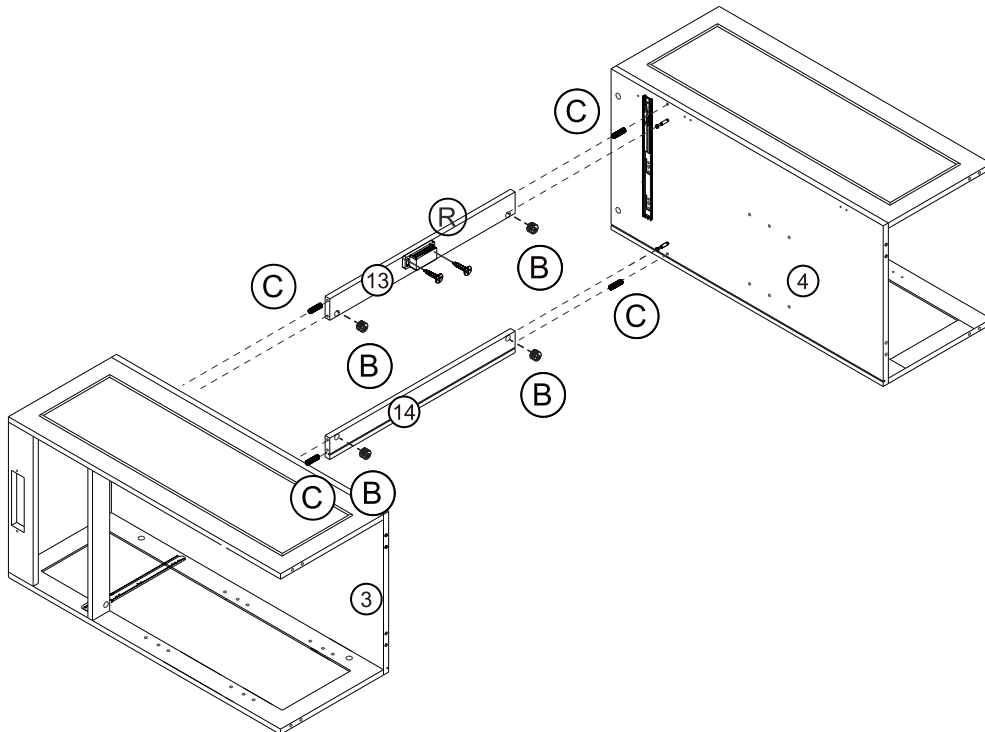


Cam lock x 6

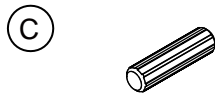


8\*30mm Dowel x 4

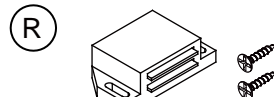
## Step 12



Cam lock x 4



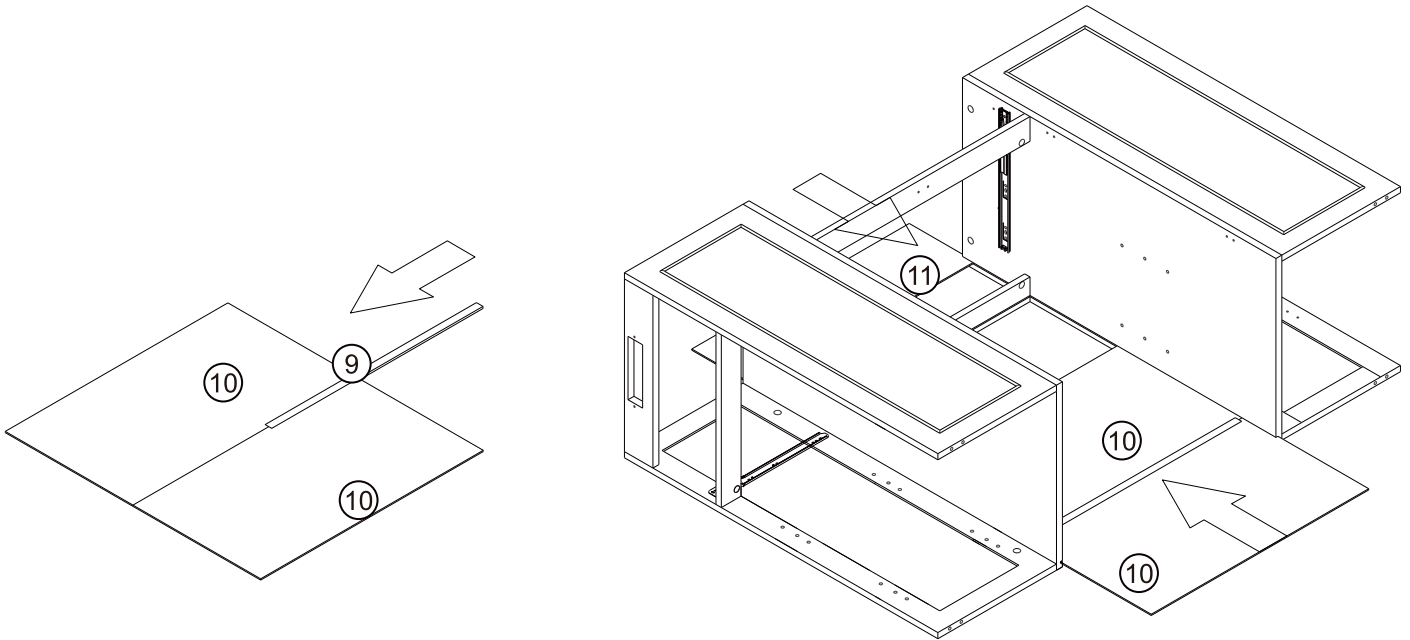
8\*30mm Dowel x 4



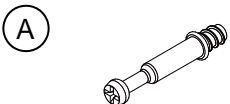
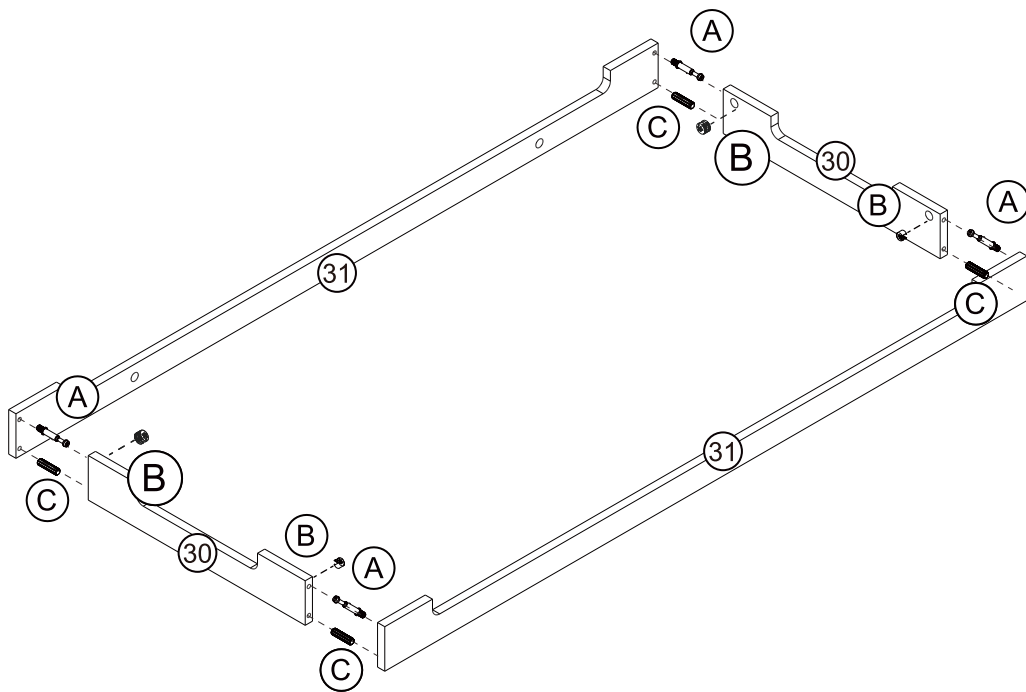
Magnetic impact x 1

# Assembly Instructions

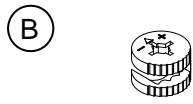
## Step 13



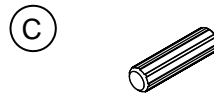
## Step 14



Cam Bolt x 4



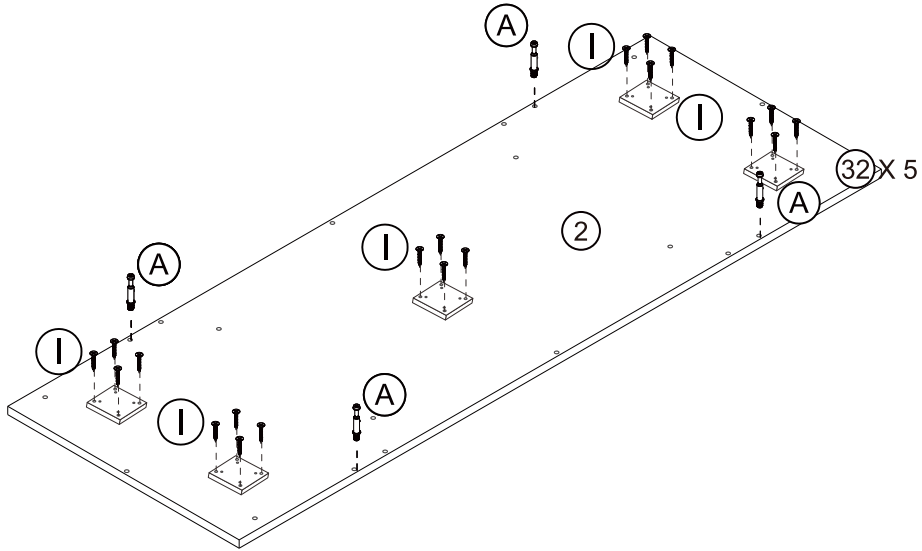
Cam lock x 4



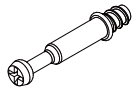
8\*30mm Dowel x 4

# Assembly Instructions

## Step 15

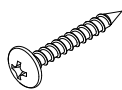


(A)



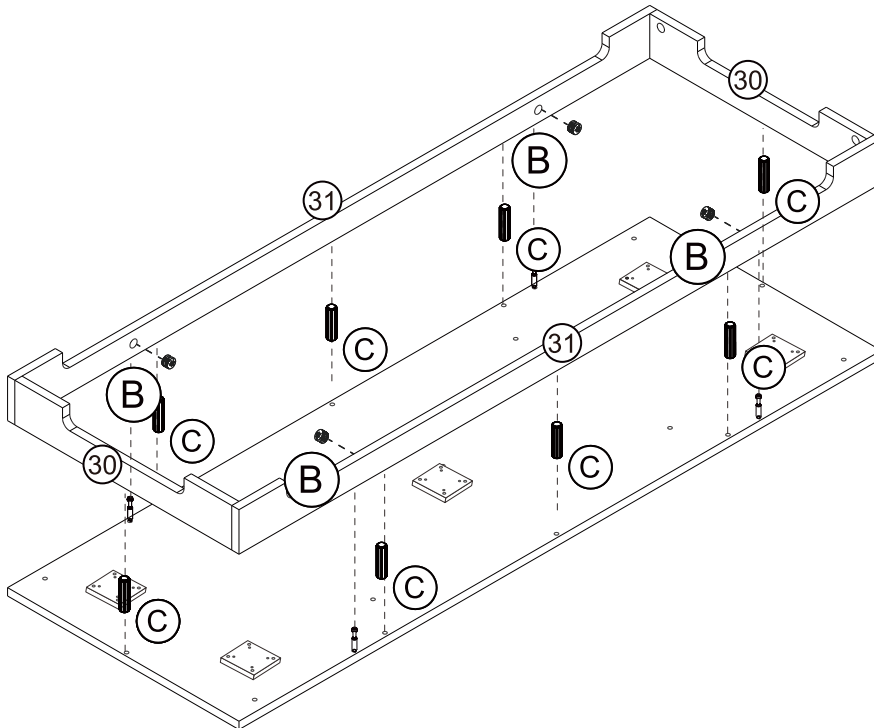
Cam Bolt x 4

(I)



4\*25mm Screw x 20

## Step 16



(B)



Cam lock x 4

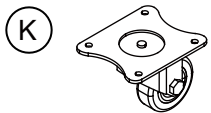
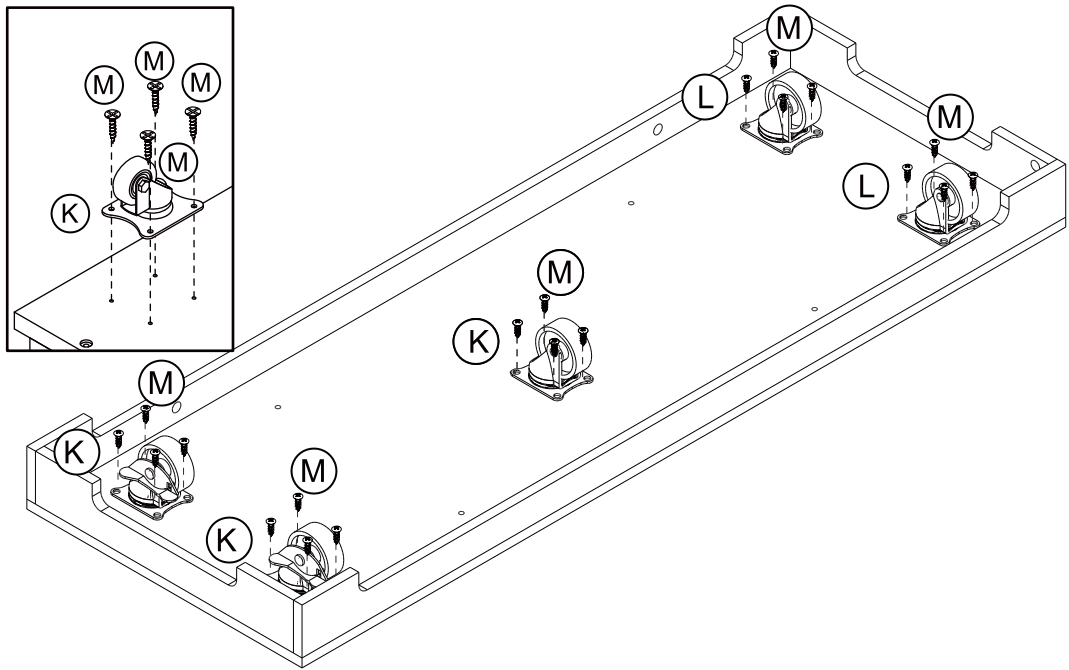
(C)



8\*30mm Dowel x 8

# Assembly Instructions

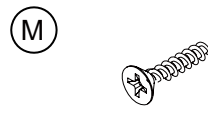
## Step 17



Caster x 3

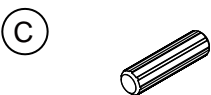
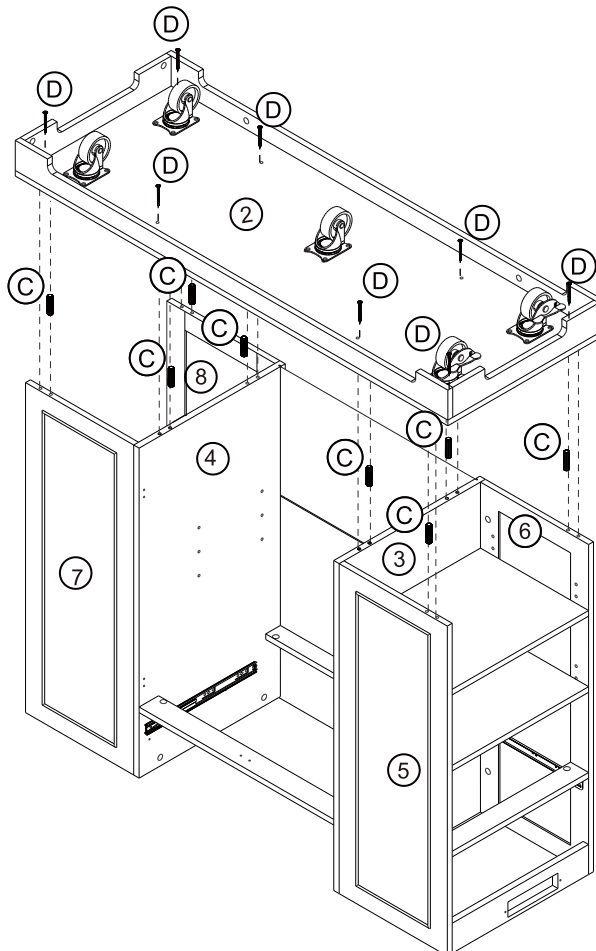


Locking caster x 2



6\*14mm Screw x 20

## Step 18



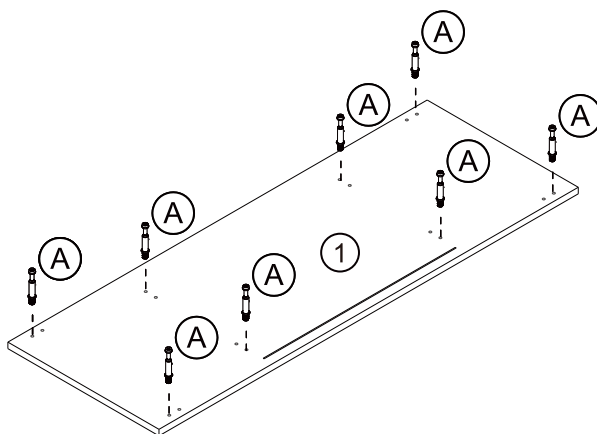
8\*30mm Dowel x 8



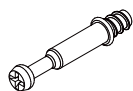
4\*35mm Screw x 8

# Assembly Instructions

## Step 19

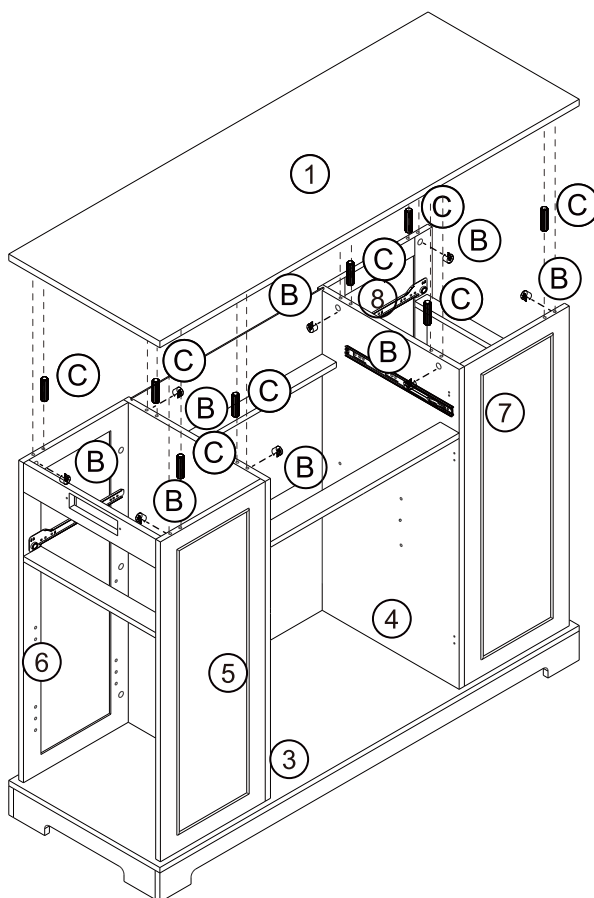


A



Cam Bolt x 8

## Step 20



B



Cam lock x 8

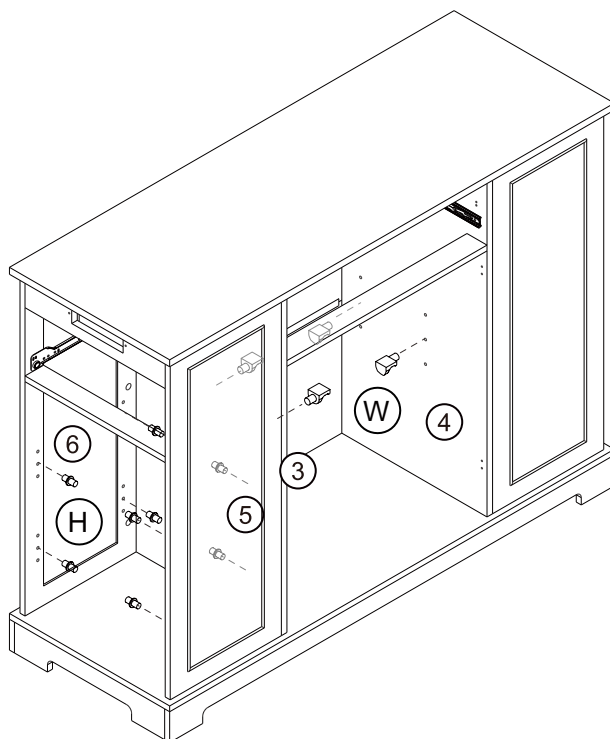
C



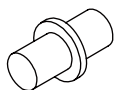
8\*30mm Dowel x 8

# Assembly Instructions

## Step 21

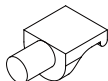


H



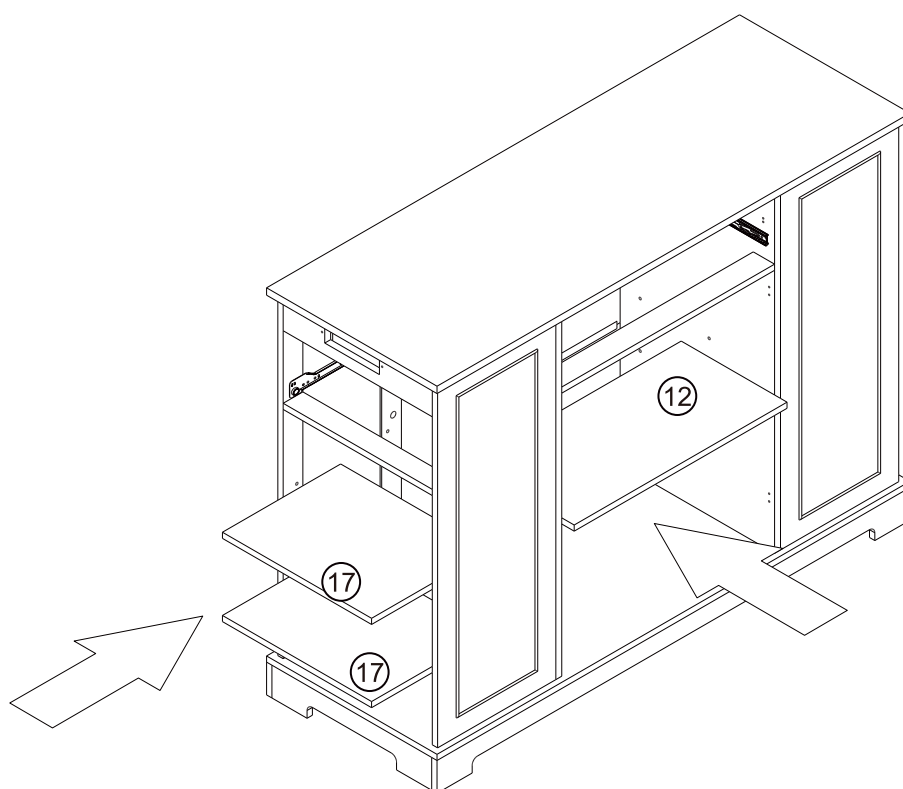
Layer bracket x 8

W



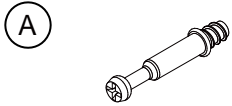
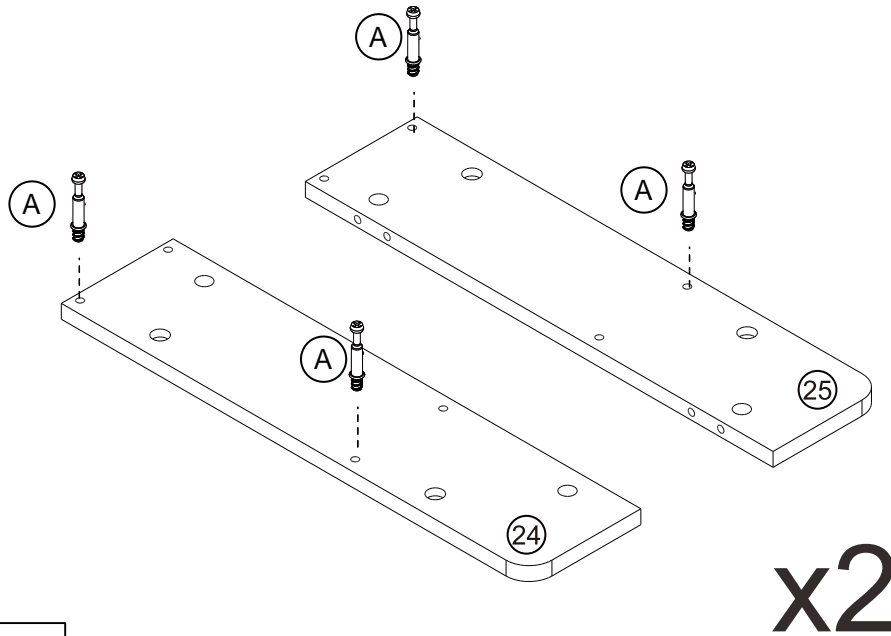
Layer bracket x 4

## Step 22



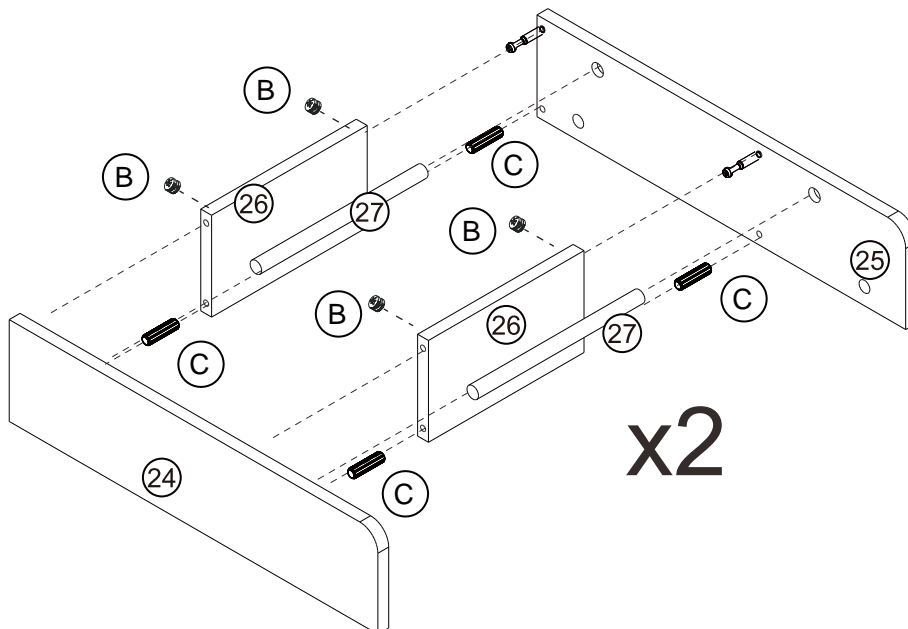
# Assembly Instructions

## Step 23

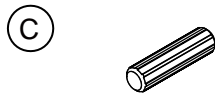


Cam Bolt x 8

## Step 24



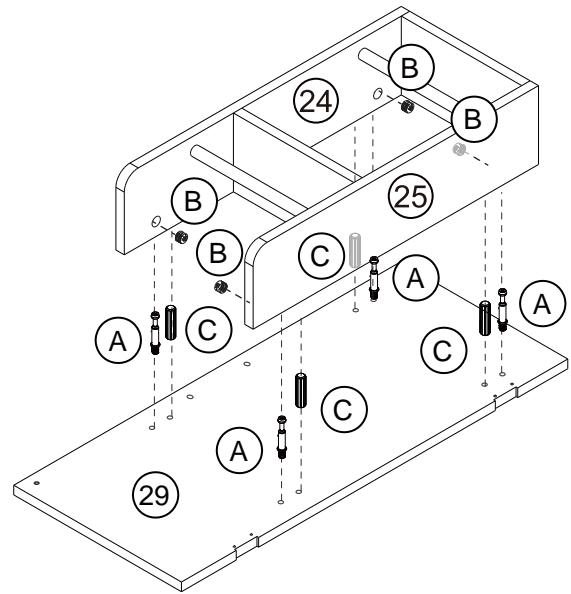
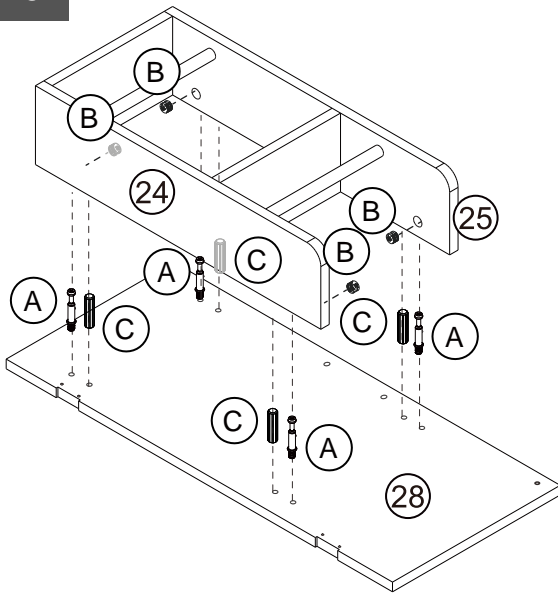
Cam lock x 8



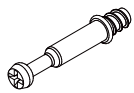
8\*30mm Dowel x 8

# Assembly Instructions

## Step 25



(A)



Cam Bolt x 8

(B)



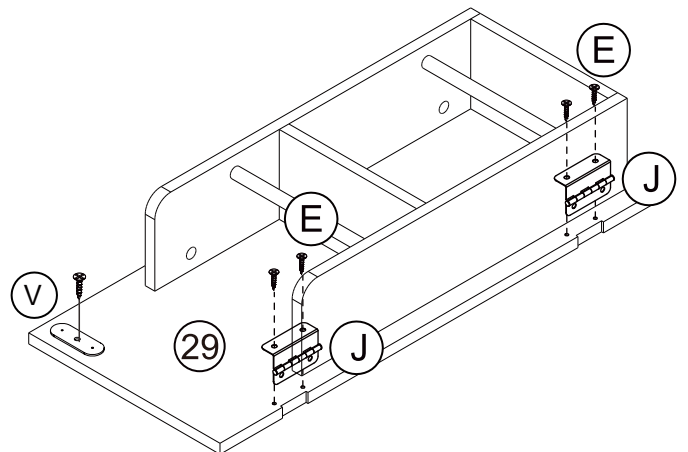
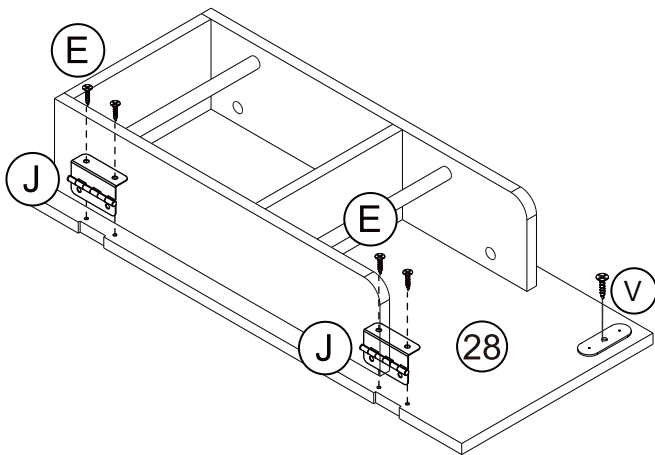
Cam lock x 8

(C)



8\*30mm Dowel x 8

## Step 26

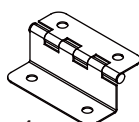


(E)



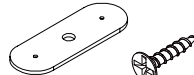
3.5\*12mm Screw x 8

(J)



Hinge x 4

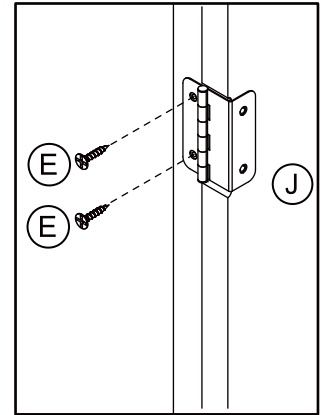
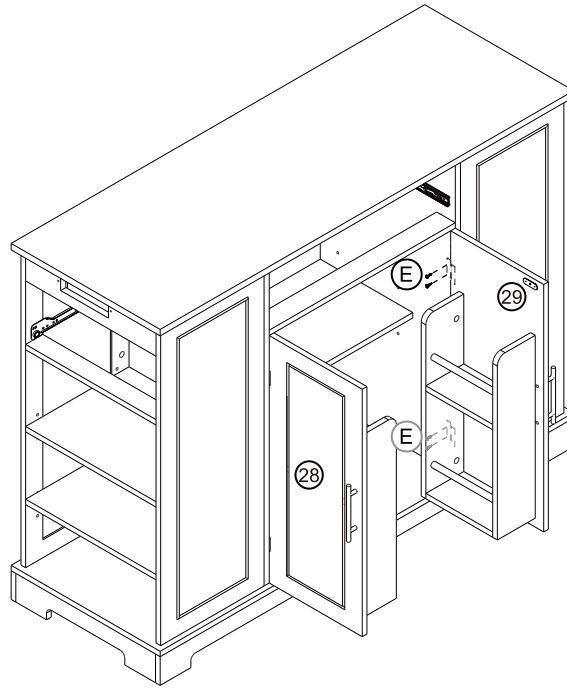
(V)



3\*10mm Screw x 2

# Assembly Instructions

## Step 27

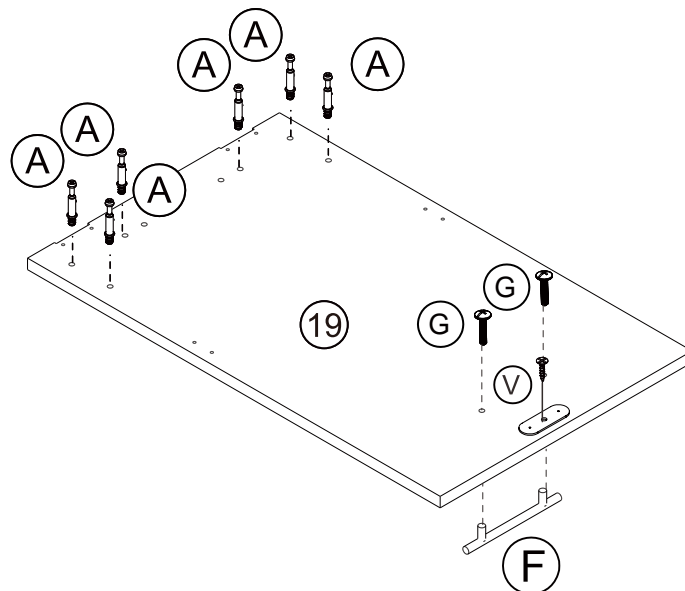


E

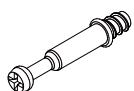


3.5\*12mm Screw x 8

## Step 28

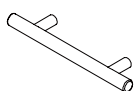


A



Cam Bolt x 6

F



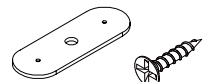
Hold hands x 1

G



4\*16mm Screw x 2

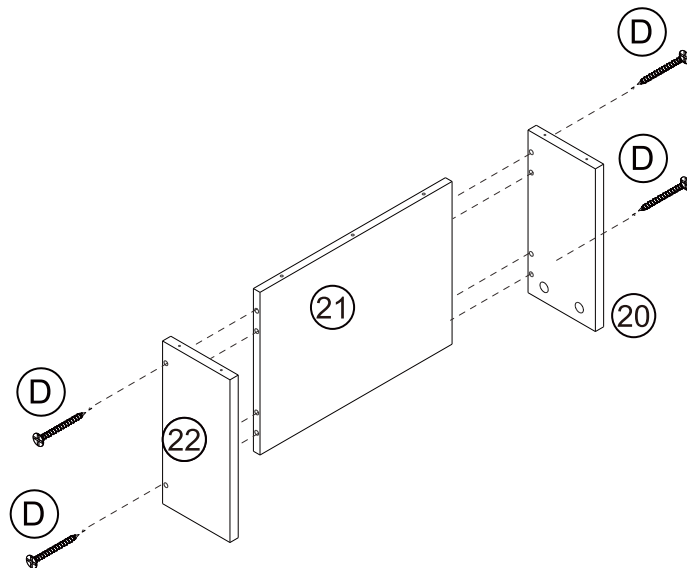
V



3\*10mm Screw x 1

# Assembly Instructions

## Step 29

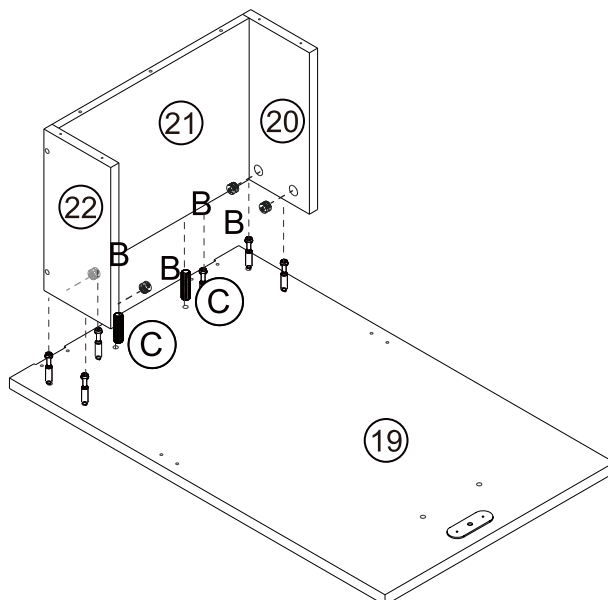


(D)



4\*35mm Screw x 4

## Step 30



(B)



Cam lock x 6

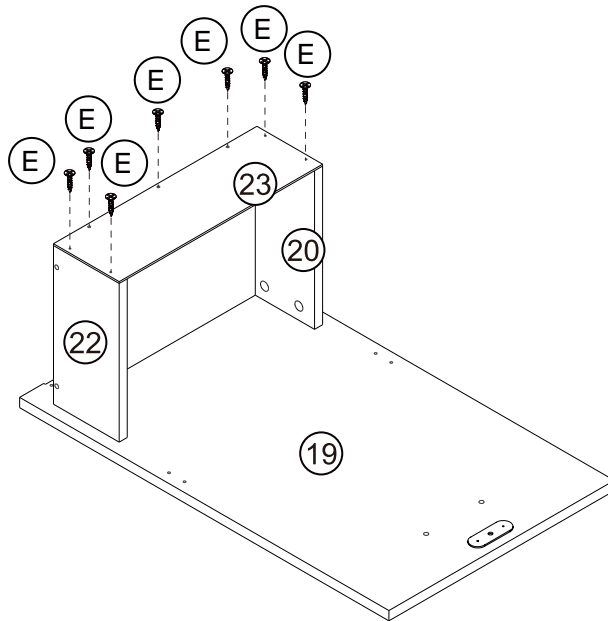
(C)



8\*30mm Dowel x 2

# Assembly Instructions

## Step 31

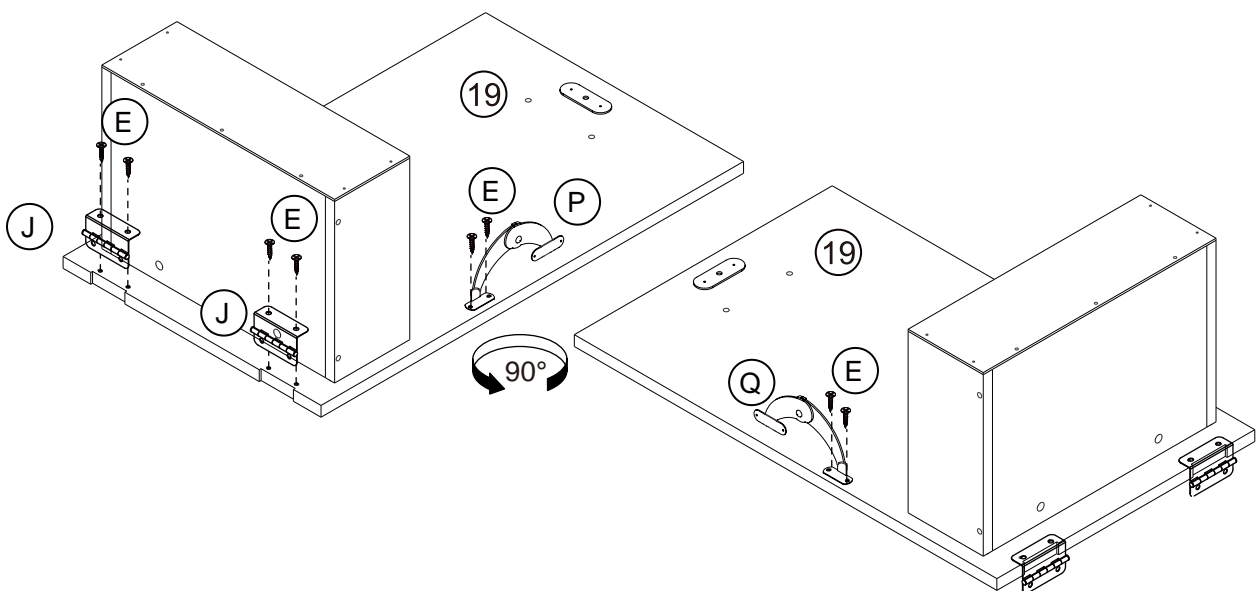


E



3.5\*12mm Screw x 7

## Step 32

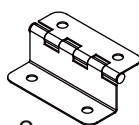


E



3.5\*12mm Screw x 8

J



Hinge x 2

P



Hinge x 1

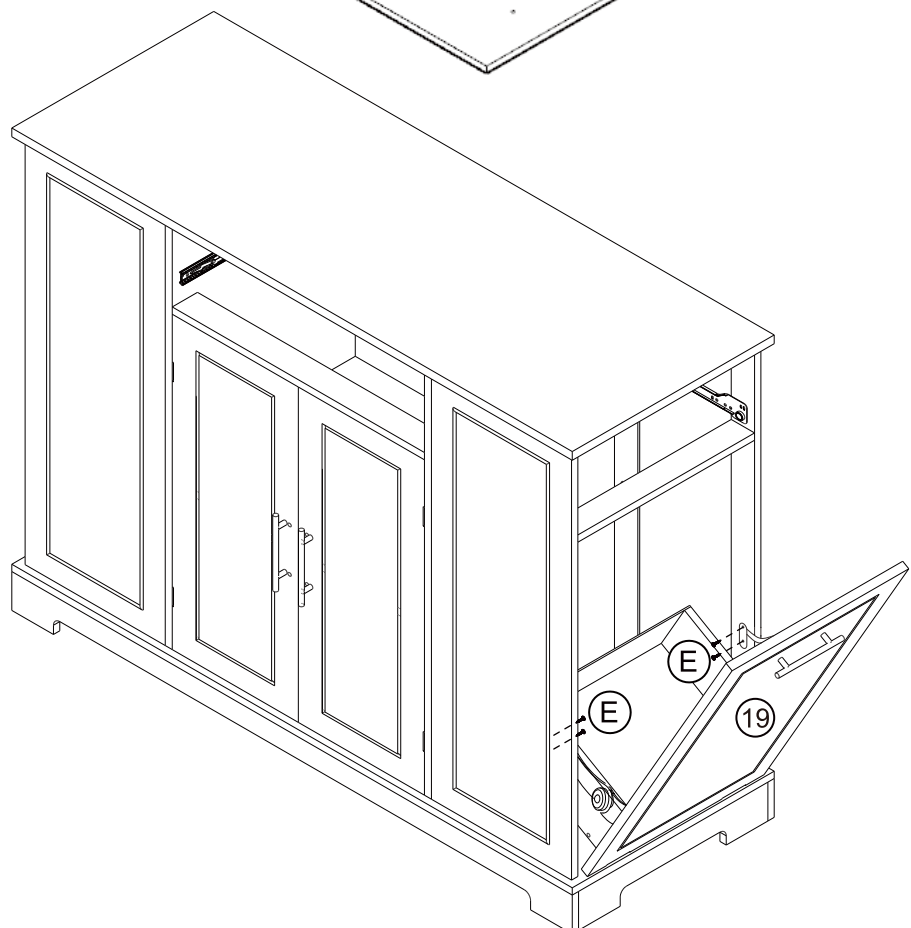
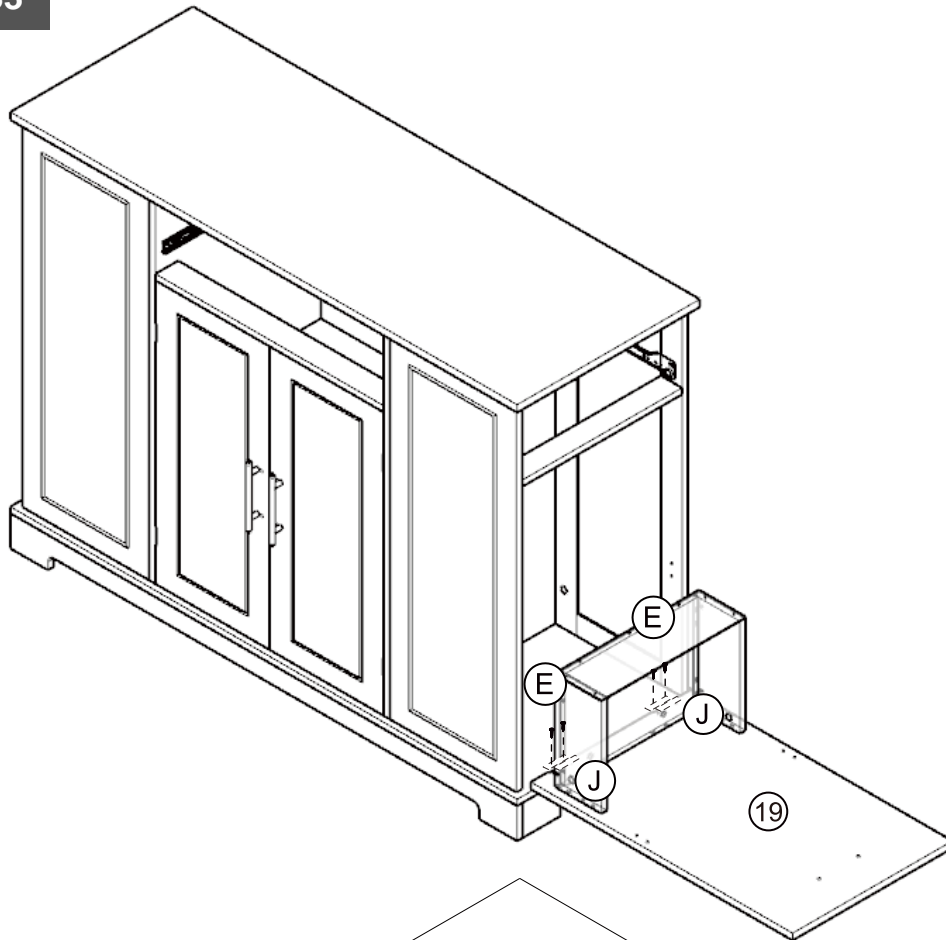
Q



Hinge x 1

# Assembly Instructions

## Step 33



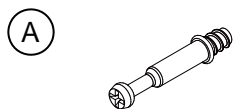
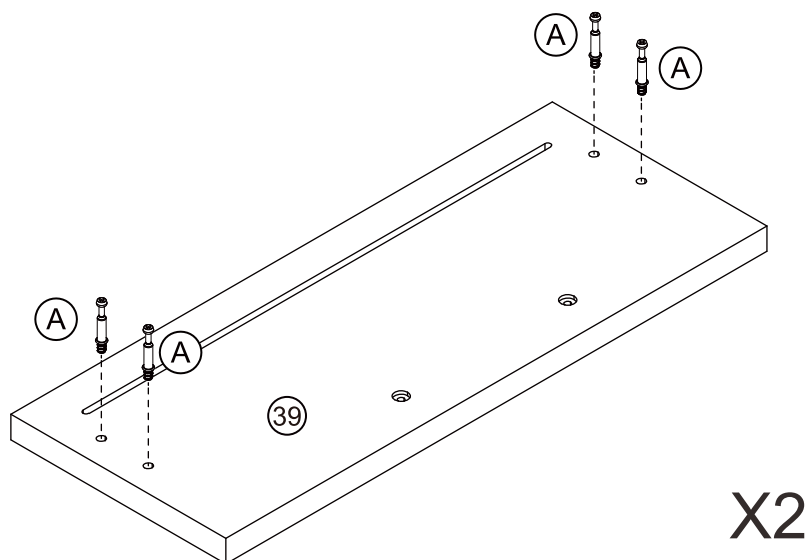
E



3.5\*12mm Screw x 8

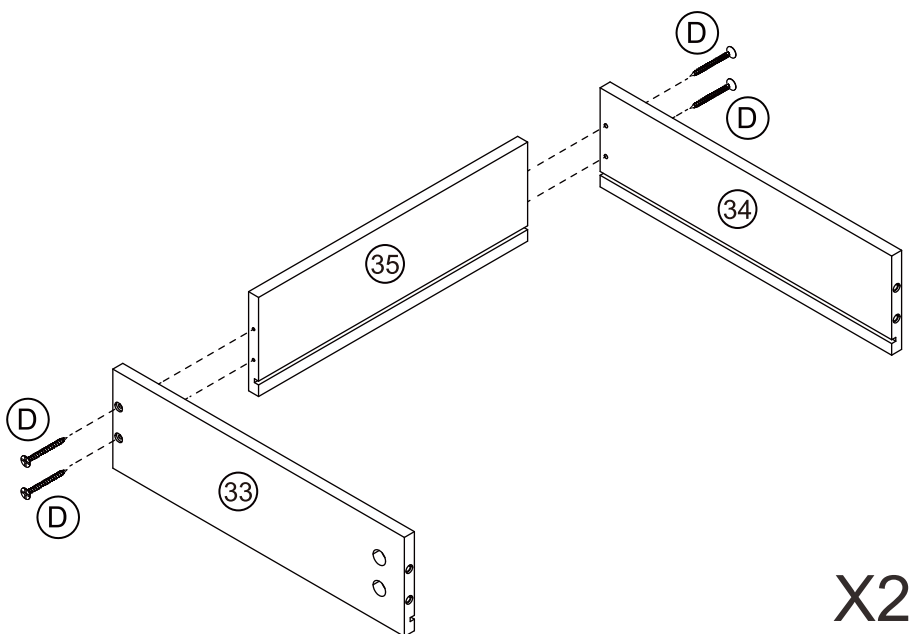
# Assembly Instructions

## Step 34



Cam Bolt x 8

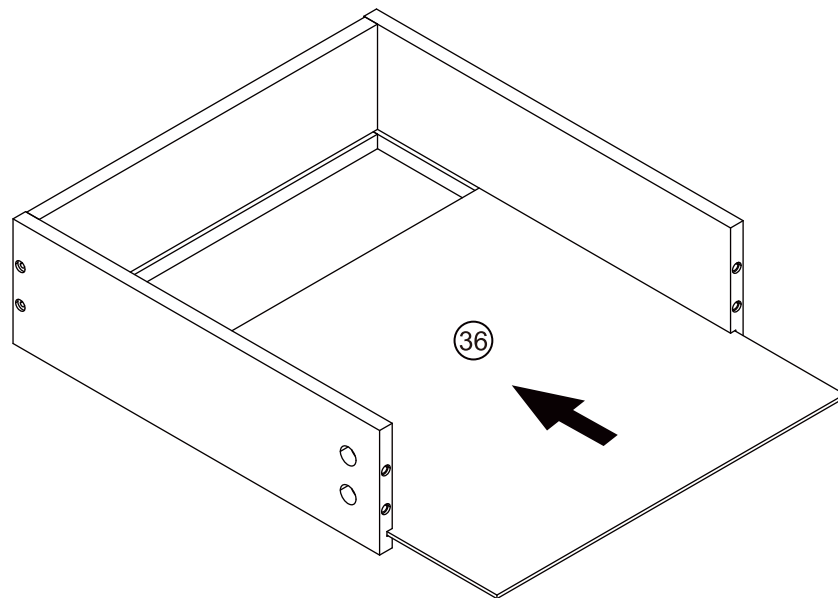
## Step 35



4\*35mm Screw x 8

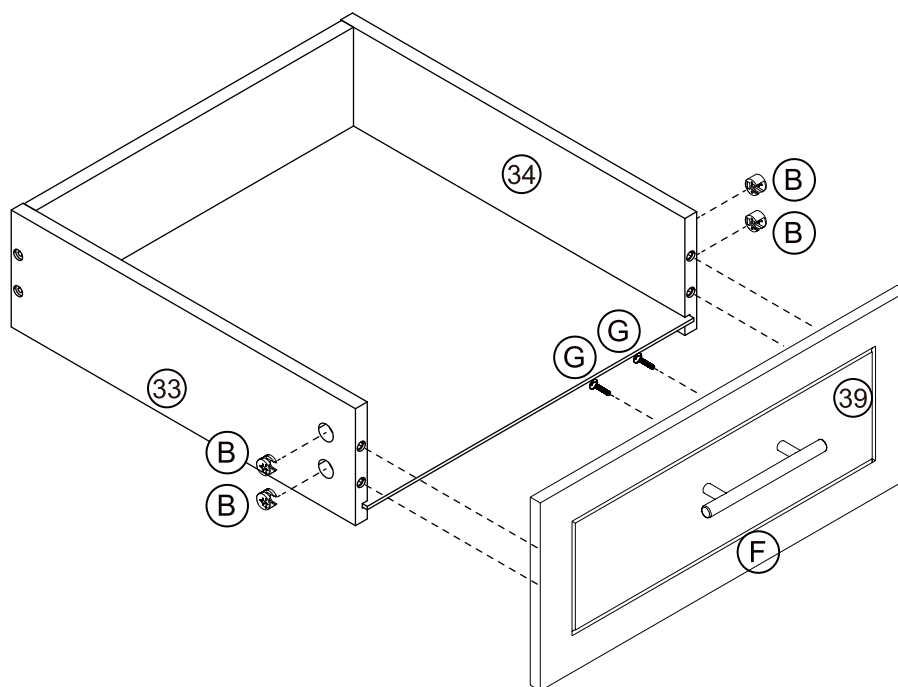
# Assembly Instructions

## Step 36



X2

## Step 37



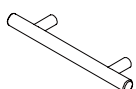
X2

(B)



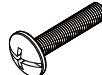
Cam lock x 8

(F)



Hold hands x 2

(G)

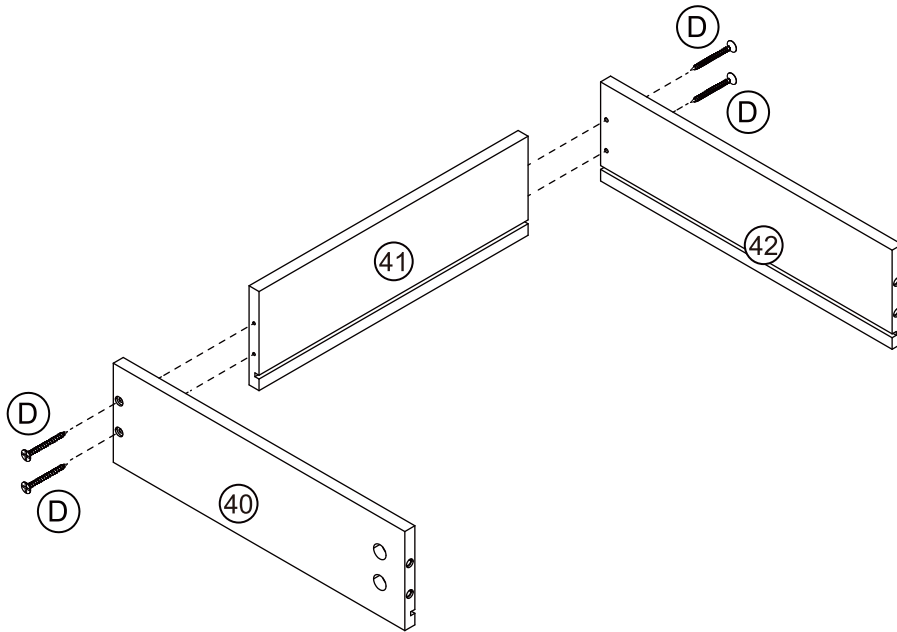


4\*16mm Screw x 4



# Assembly Instructions

## Step 40

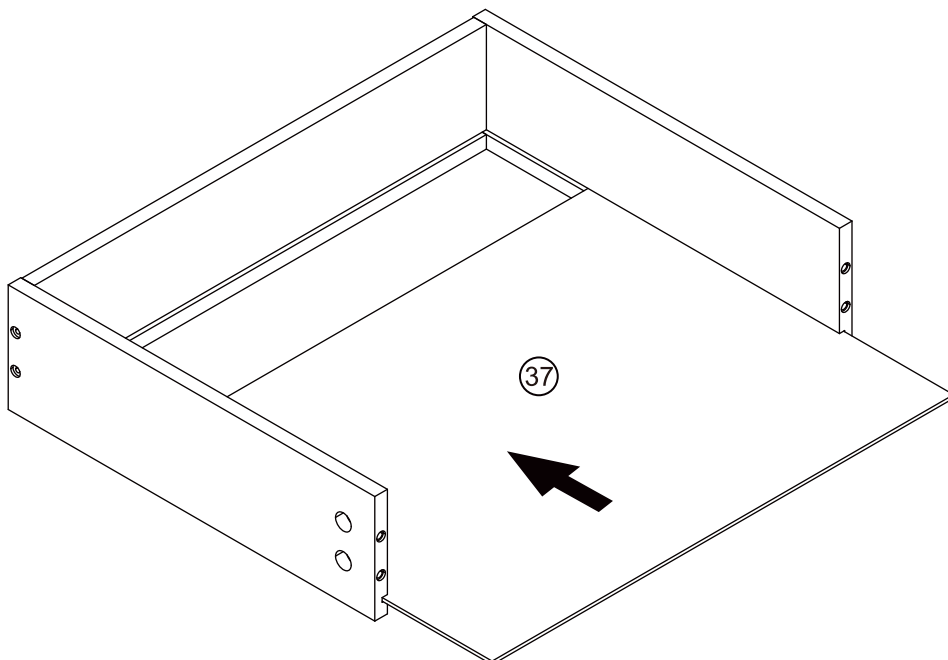


D



4\*35mm Screw x 4

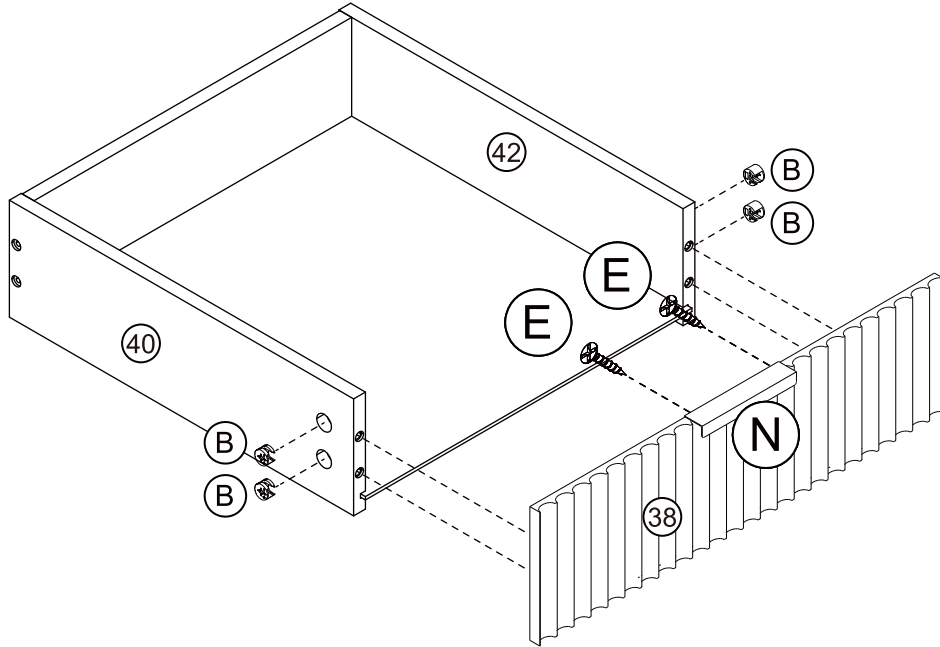
## Step 41



37

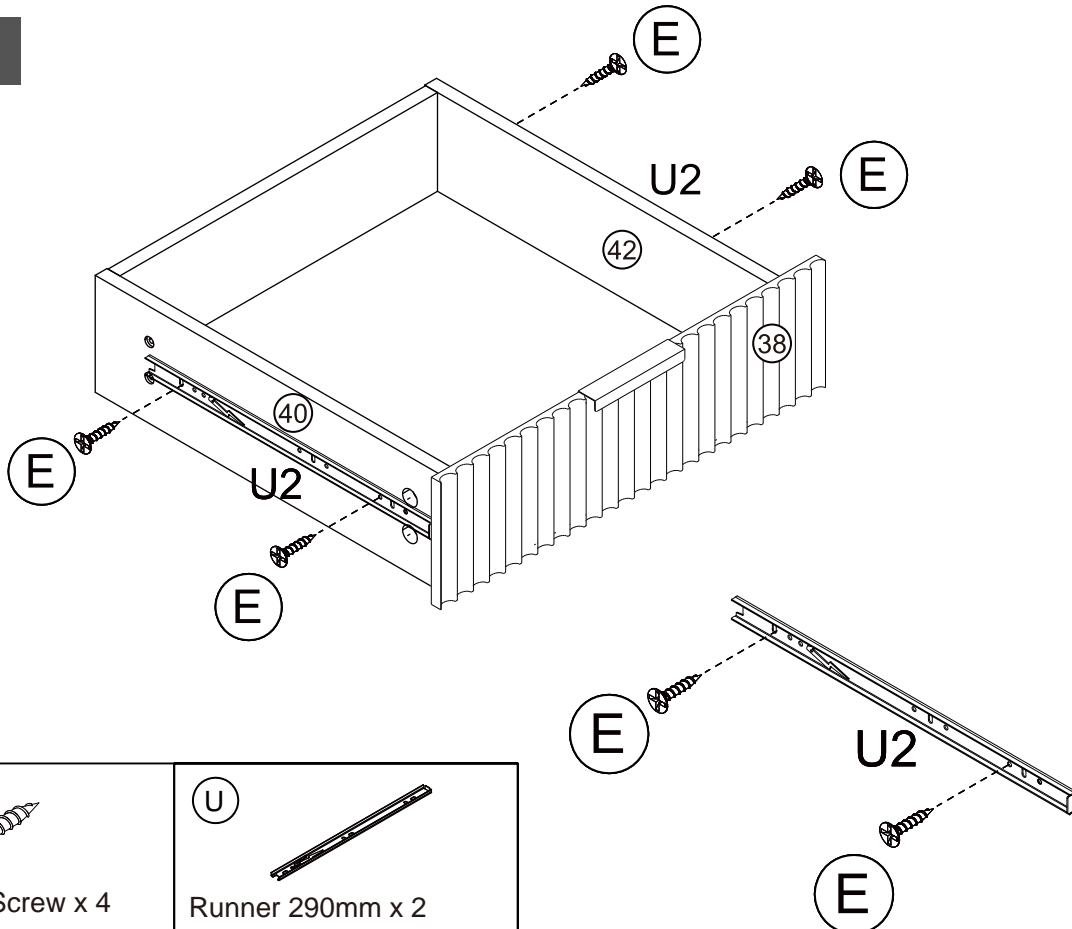
# Assembly Instructions

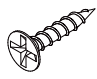

## Step 42



 <p><b>B</b></p> <p>Cam lock x 4</p>	 <p><b>E</b></p> <p>3.5*12mm Screw x 2</p>	 <p><b>N</b></p> <p>120mm hands x 1</p>
---	---	---

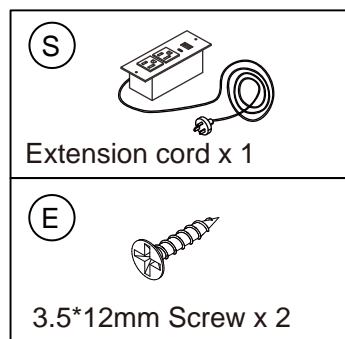
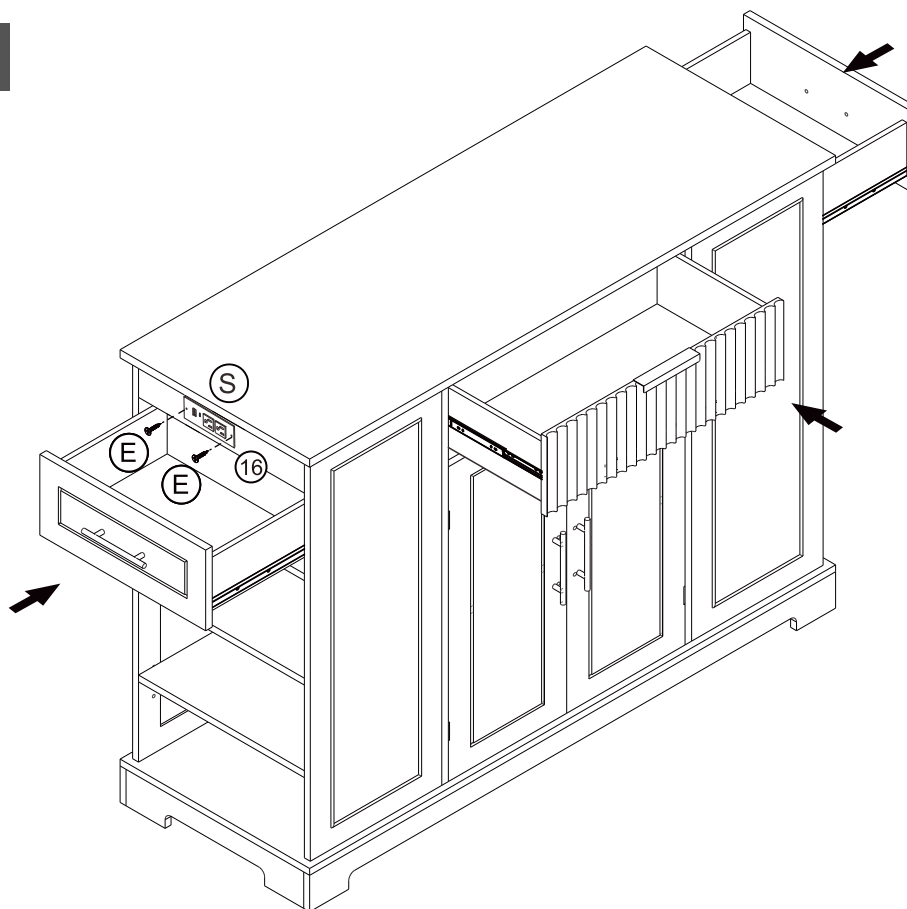
## Step 43



 <p><b>E</b></p> <p>3.5*12mm Screw x 4</p>	 <p><b>U</b></p> <p>Runner 290mm x 2</p>
---	---

# Assembly Instructions

## Step 44



## Step 46

