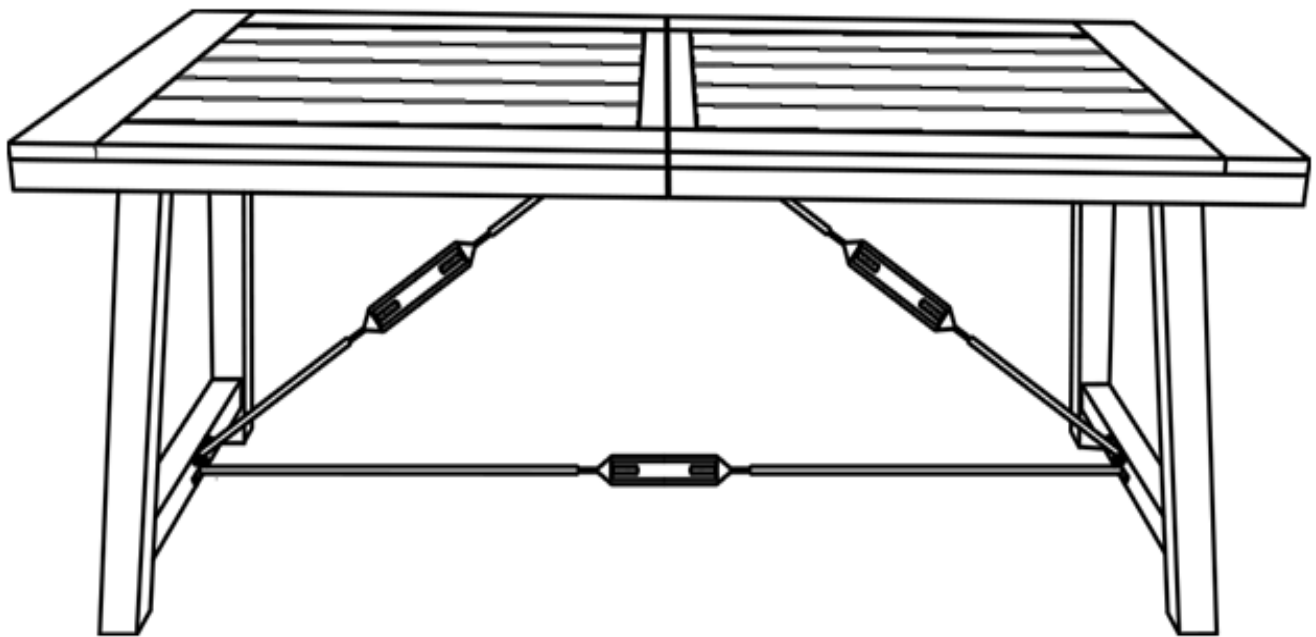


Assembly Instructions

Caution : You must read this before you proceed

TABLE

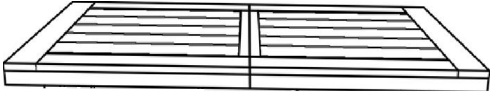



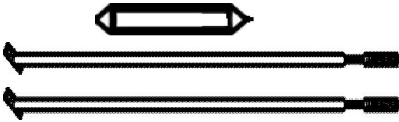


CAUTION: This Table is NOT a TOY.

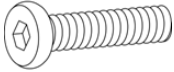

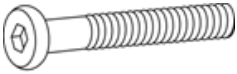
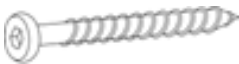


Keep your child / children at bay during the assembly process.

For moving the Table and to prevent damage to the Table, two adults are needed to execute this action.

Parts List

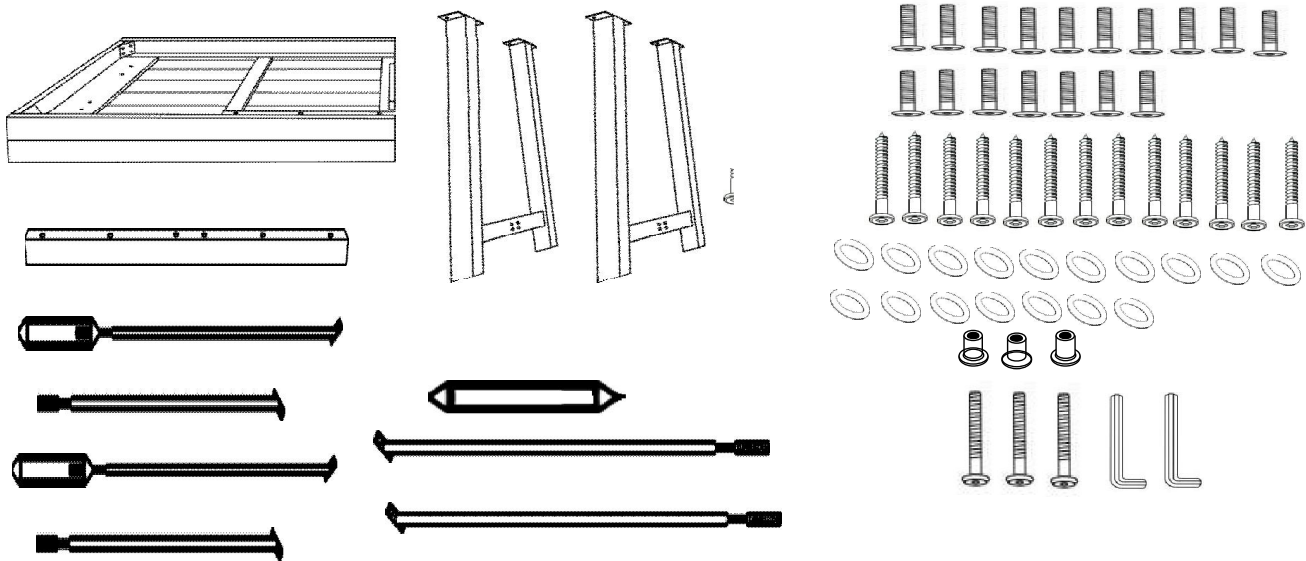
Label	Picture	Description	QTY
A		Table Top	1
B		Iron Leg	2
C		Support Bar	2
D		Side Turnbuckle Set	2
E		Bottom Turnbuckle Set	1

Hardware

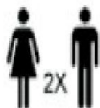
Label	Picture	Description	QTY
①		Short Bolt (M8x20mm)	17
②		Washer	17
③		Long Bolt (M6x45mm)	3
④		Screw (M6x50mm)	13
⑤		Sleeve Nut (M6x20mm)	3
⑥		Allen Key	2

Assembly Preparation

Before Beginning Assembly:



- Read instructions, cover to cover-



- Have 2 adults on hand for assembly-



- Do not assemble on flooring or carpet-



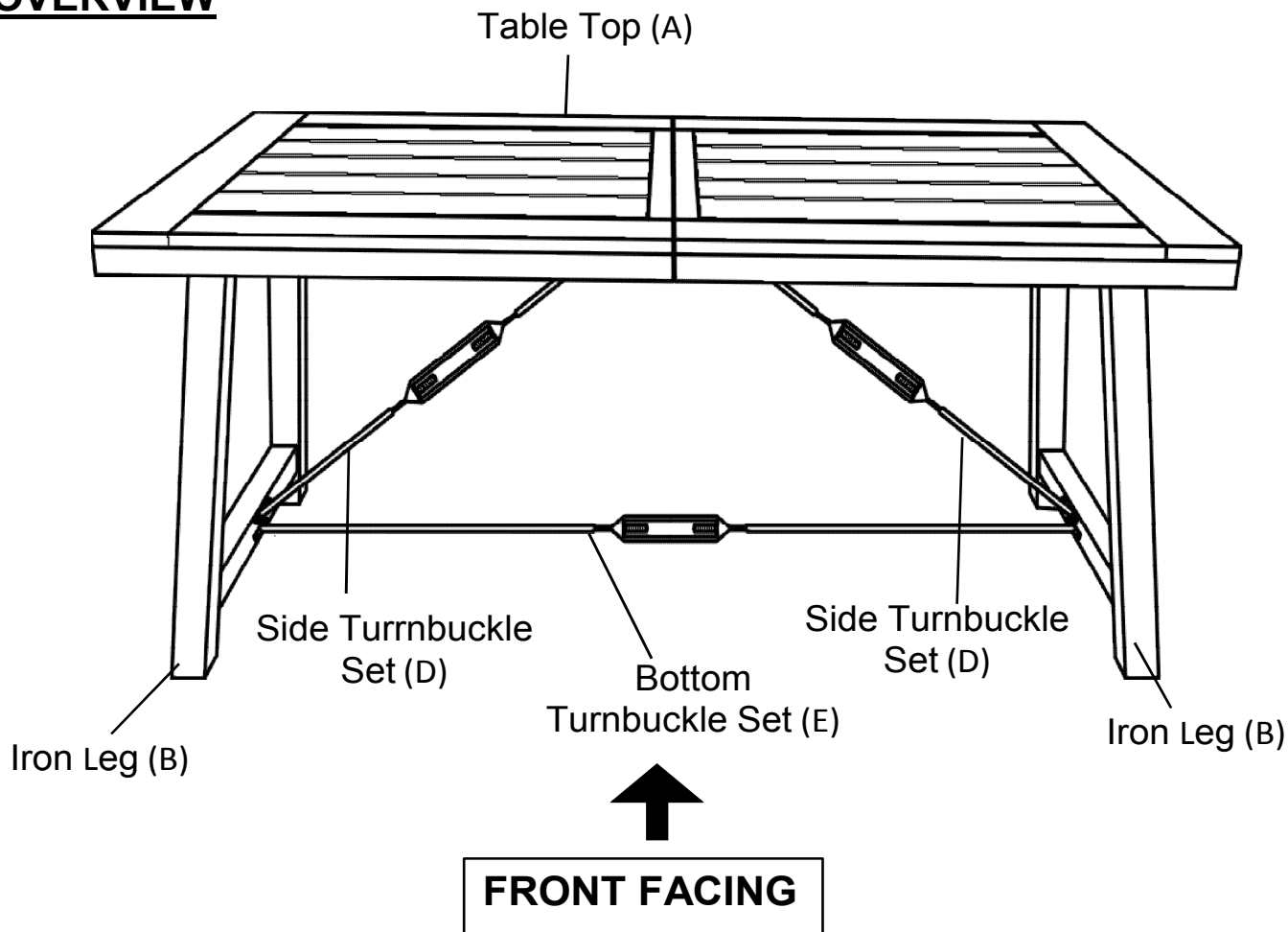
- Assemble on a clean non-marring surface (packing foam)-



- Save all packaging until finished-

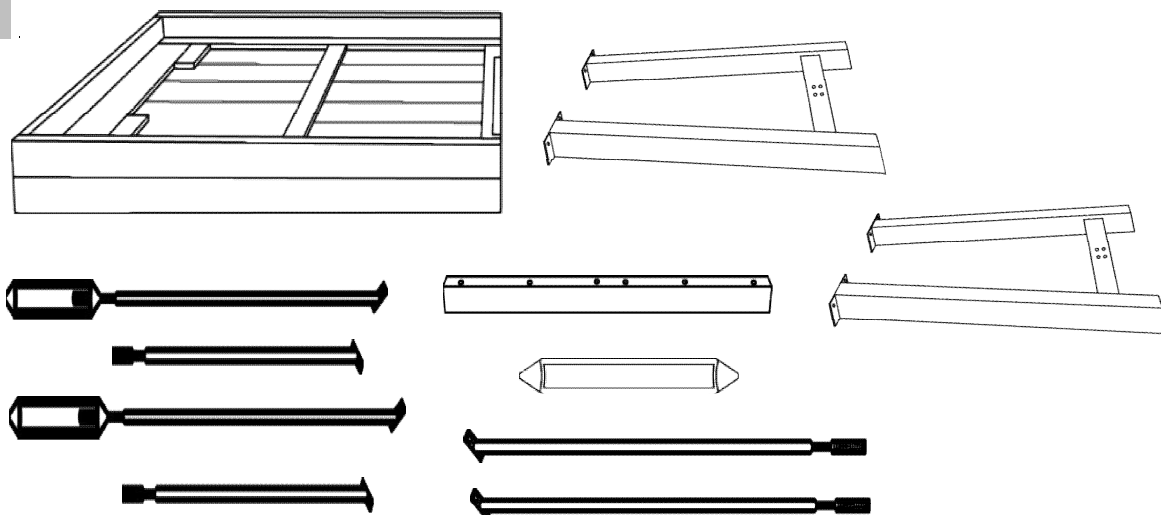
Assembly Steps

OVERVIEW



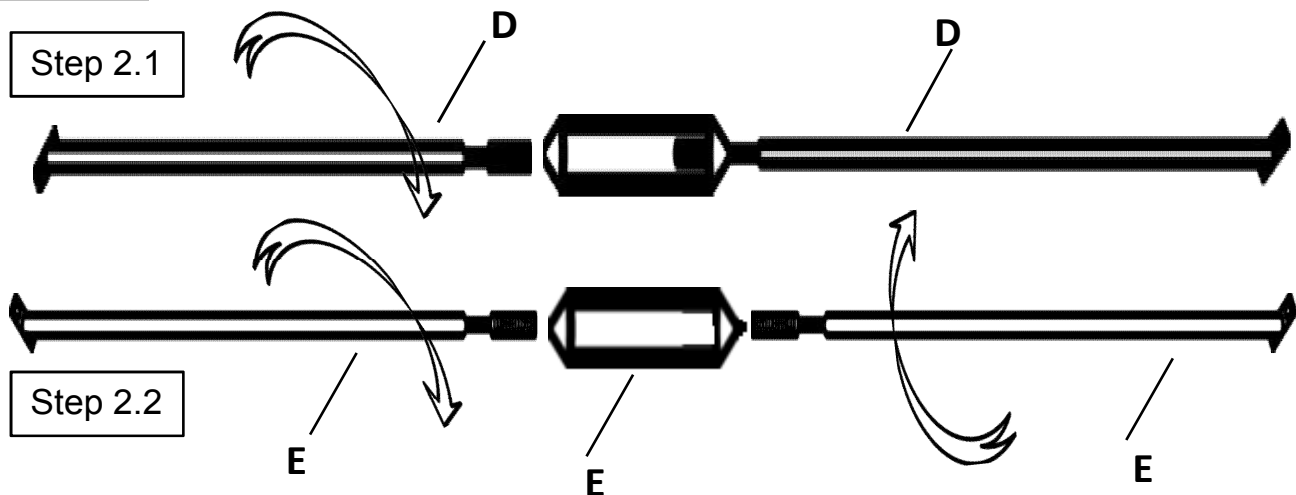
This Table has multiple parts and may require up to some 30 minutes to assemble. To give you an overview of the Table parts, the above picture is to help you put the various parts into perspective. Please read through the instructions below to familiarise yourself with the parts and steps before assembly.

Step 1



Unpack and place all parts on a clean, non-marring surface.

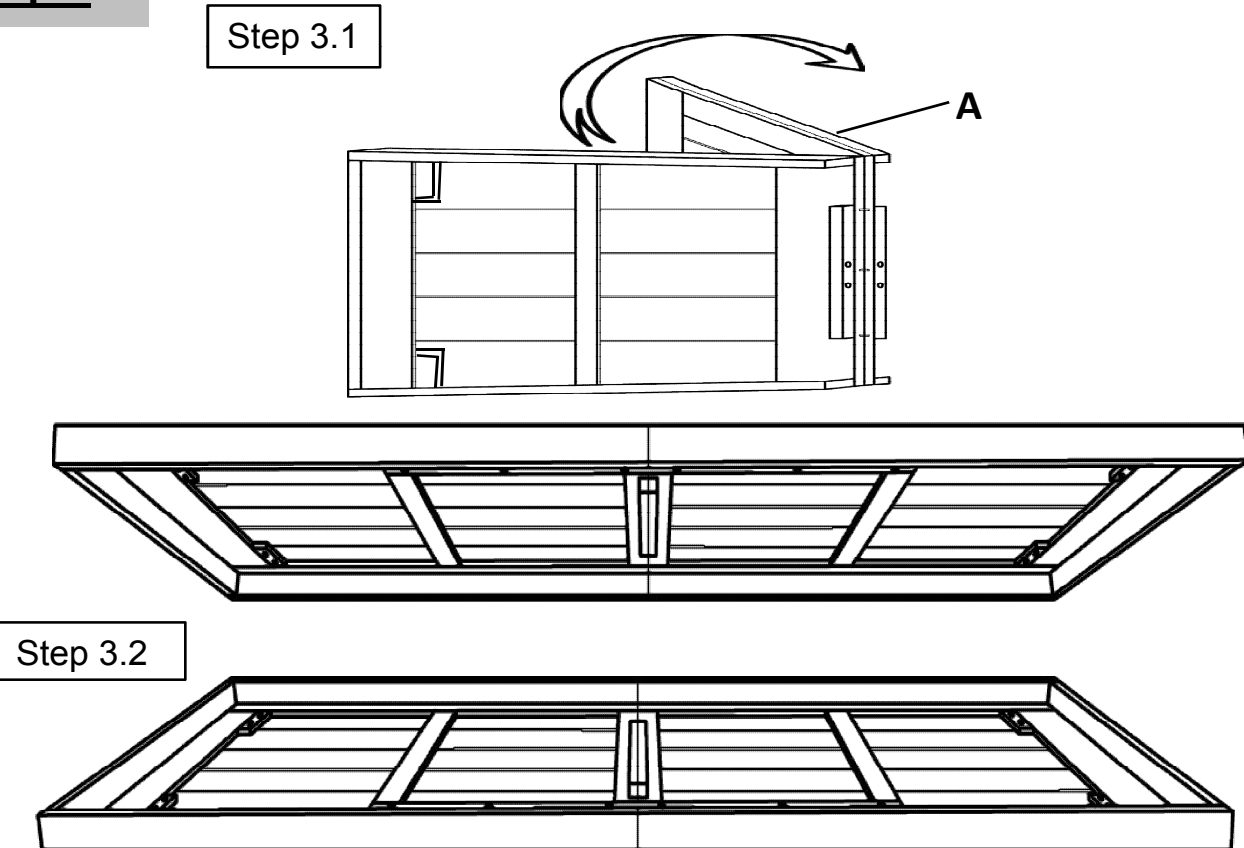
Step 2



2.1) Connect the Side Turnbuckle Sets(D) together as shown in the arrow above

2.2) Connect the Bottom Turnbuckle Set(E) together as shown in the arrows above

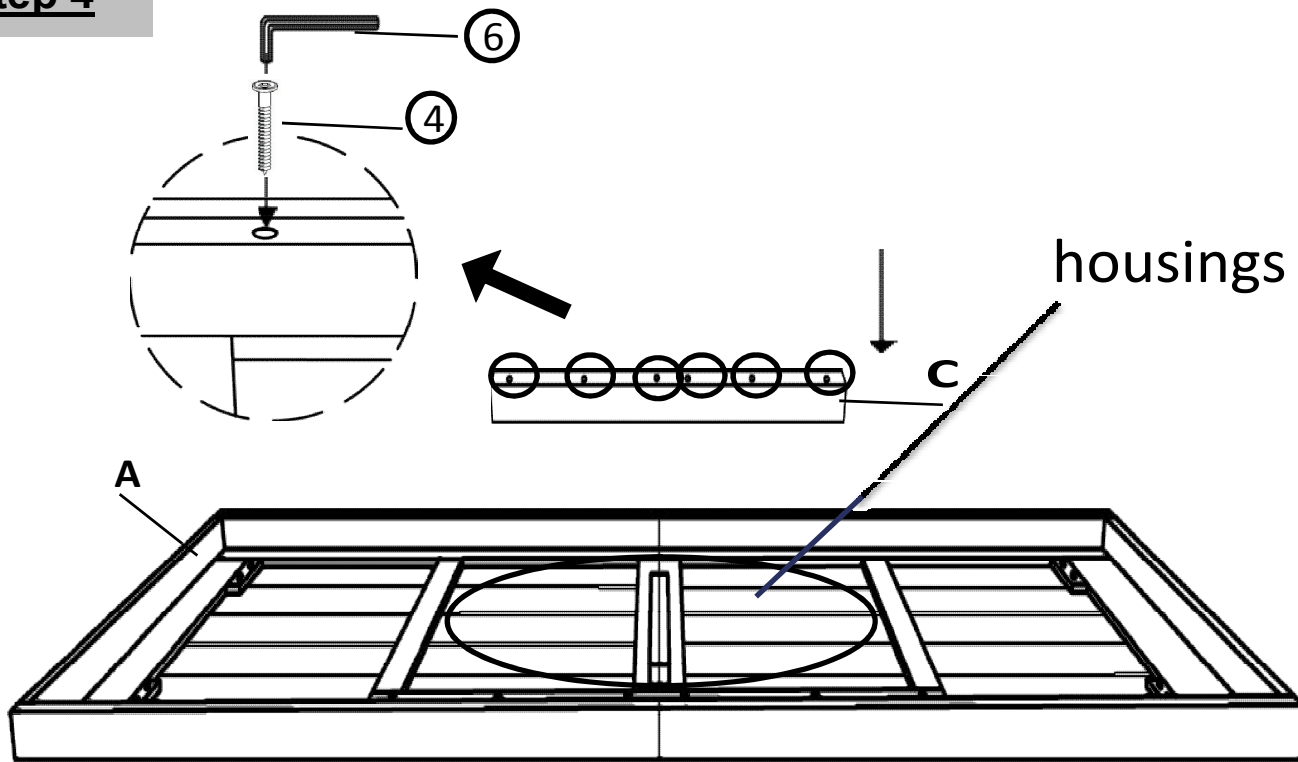
Step 3



3.1) With the assistance of an adult helper, unfold the Table Top(A) as shown.

3.2) Then lay the Table Top (A) facedown onto a clean, flat surface to avoid any scratches or damage to the product.

Step 4

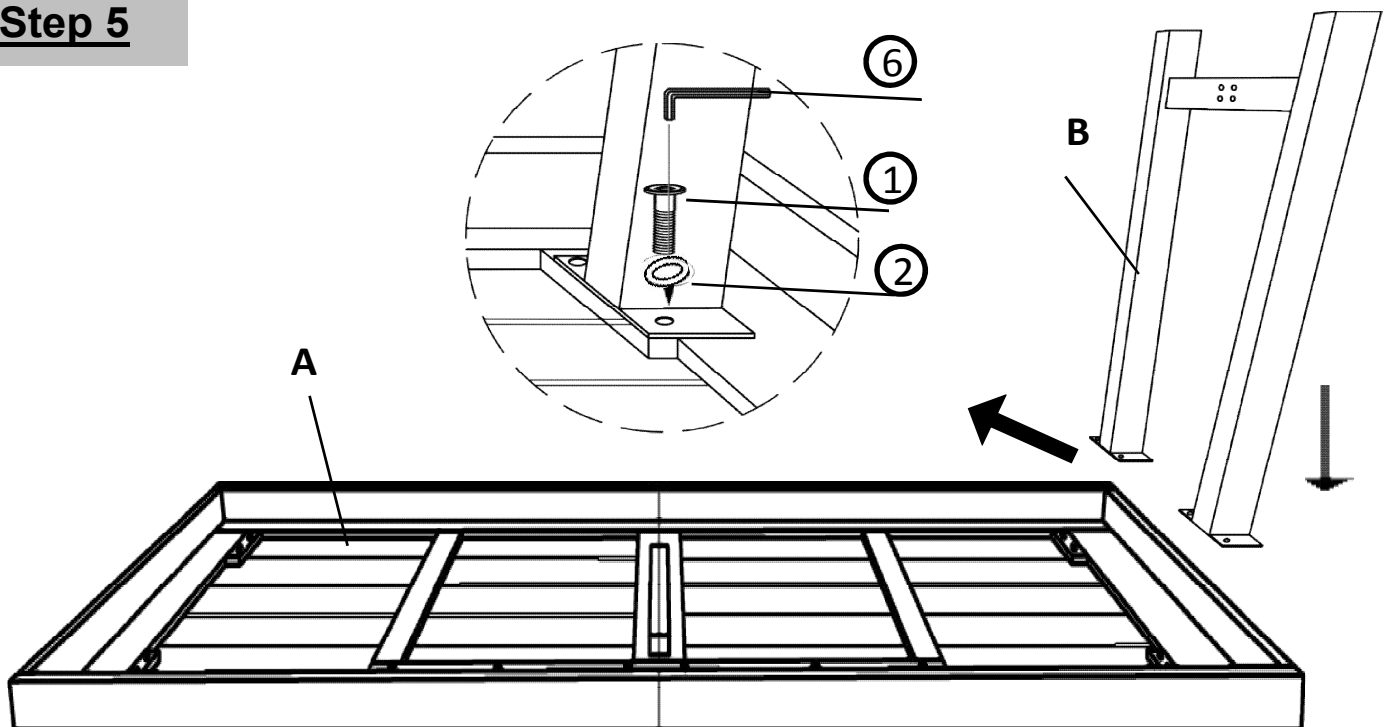


Align Support Bar(C) to the housings on Table Top(A) and secure using Screws(④) with Allen Key(⑥).

Only loosely tighten the Screws.

Repeat the same process with the other Support Bar(C).

Step 5



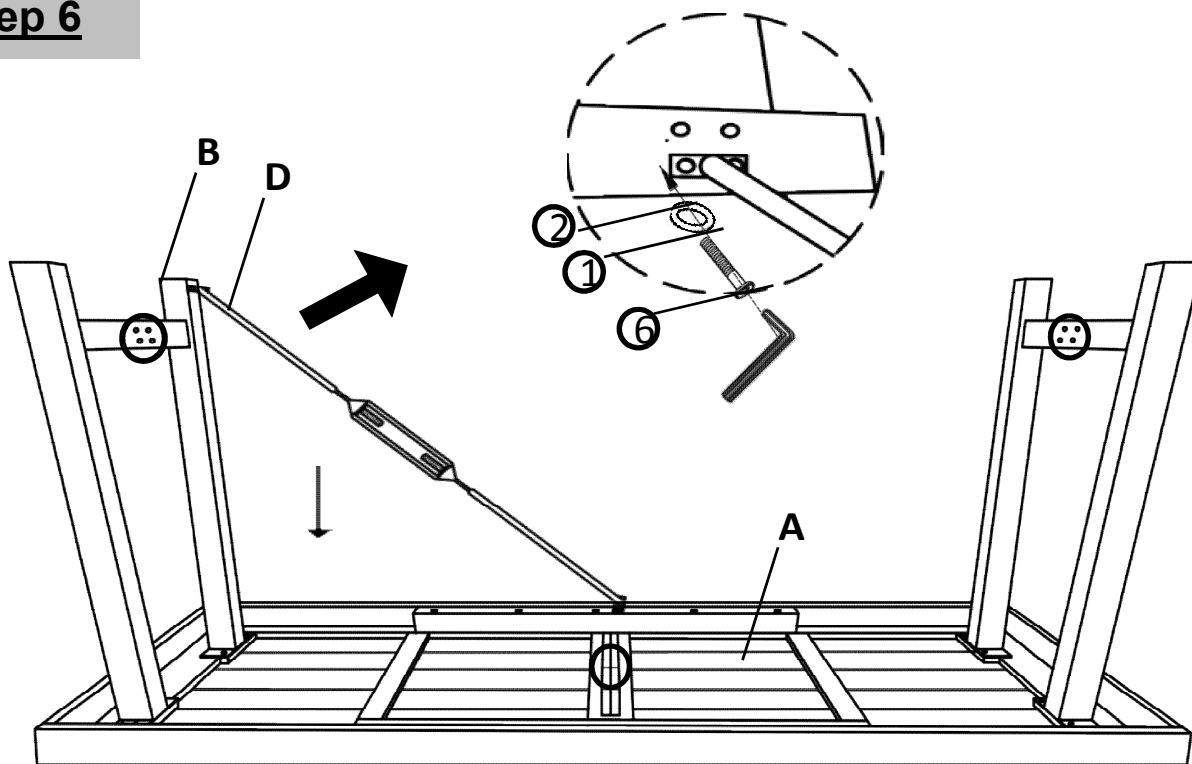
Attach Iron Leg(B) to Table Top(A) using Short Bolt(①) and Washer(②) with Allen Key(⑥).

Notice: The leg with hole should be face inside against

Only loosely tighten the Bolts.

Repeat the same process with the other Iron Leg(B)

Step 6

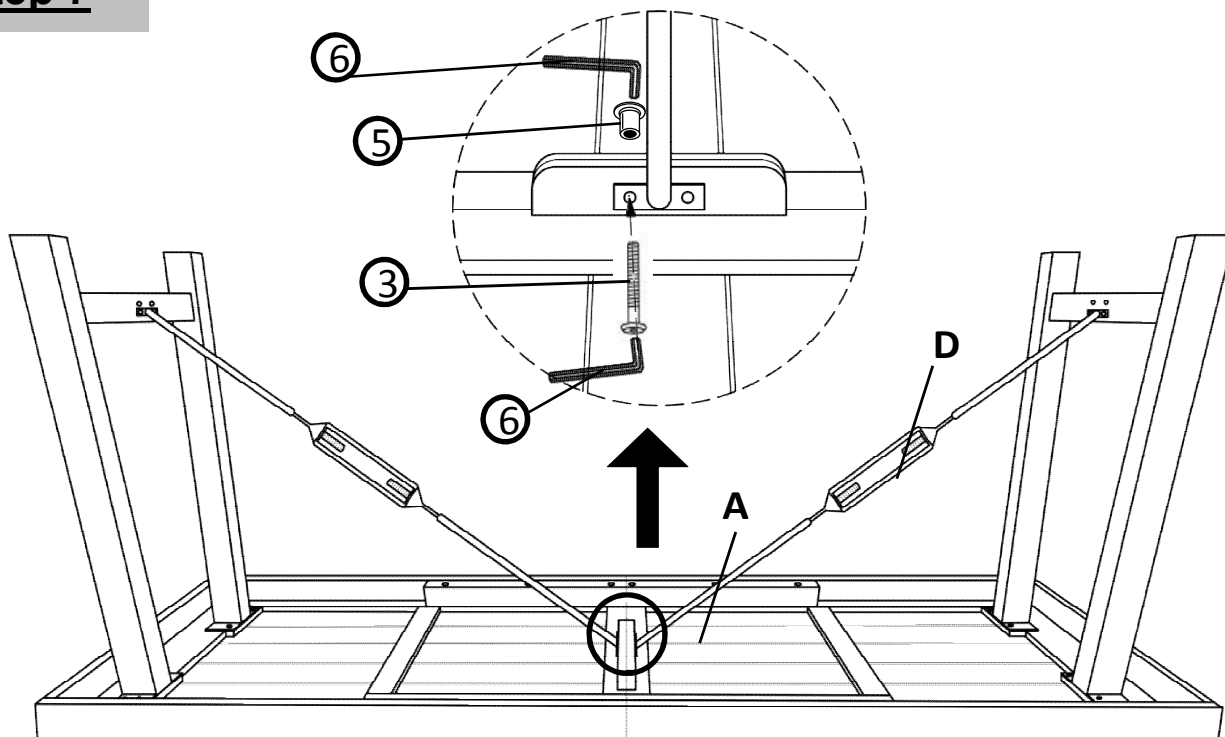


Place Side Turnbuckle Set(D) between housing of Table Top(A) and Iron Leg(B). Attach Side Turnbuckle Set(D) to Iron Leg(B) using Short Bolt(①) and Washer(②) with Allen Key(⑥)

Only loosely tighten the Bolts.

Repeat the same process with the other Side Turnbuckle Set(D).

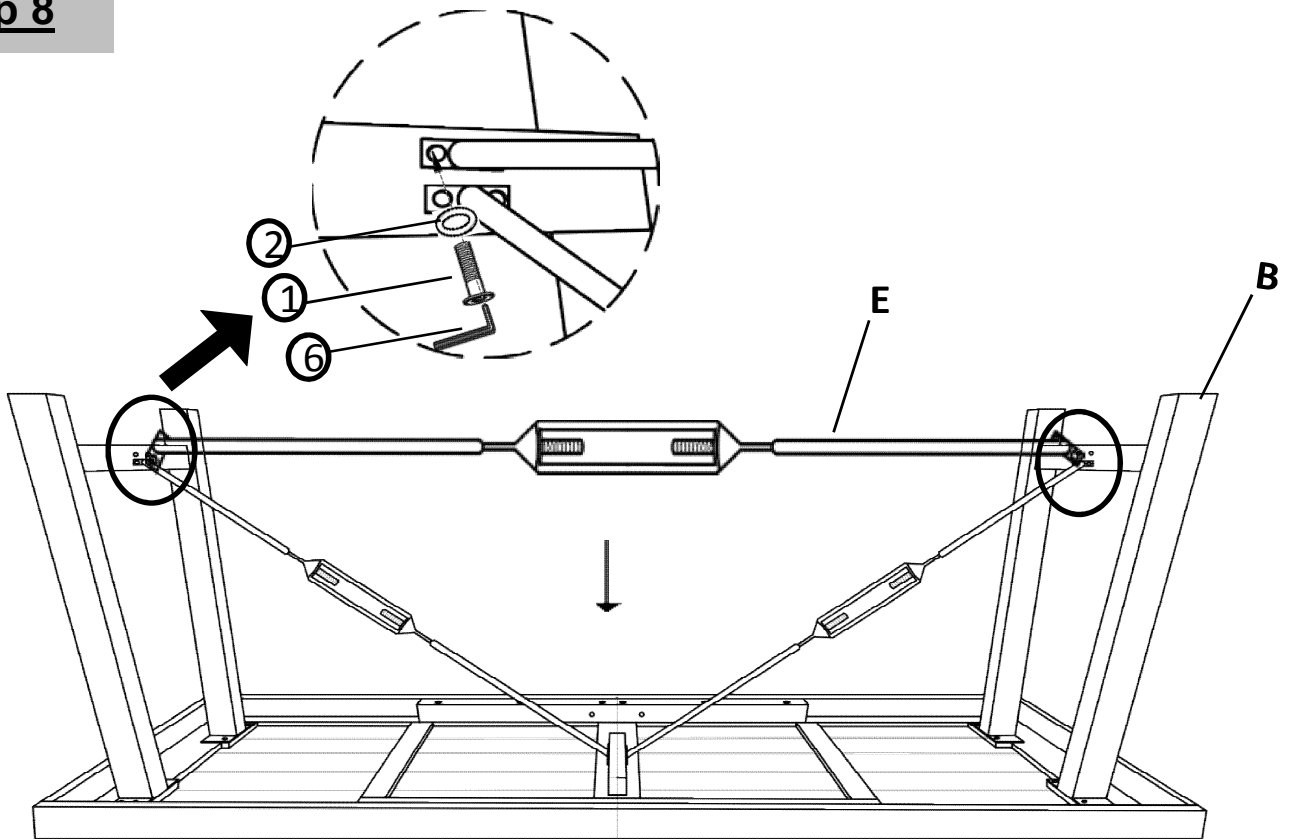
Step 7



Affix Side Turnbuckle Set(D) to Table Top(A) using Long Bolt(③) and Sleeve Nut(⑤) with Allen Key(⑥).

Only loosely tighten the Bolts.

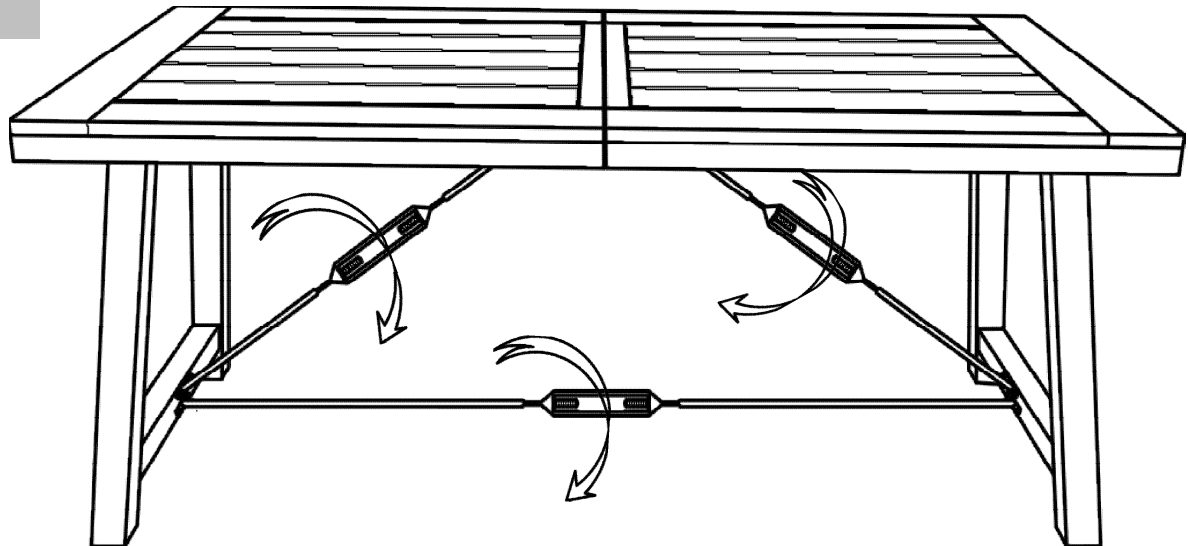
Step 8



Attach the Bottom Turnbuckle Set(E) to Iron Legs(B) using Short Bolt(①) and Washer(②) with Allen Key(⑥).

Only loosely tighten the Bolts.

Step 9



Stand the Table right side up.

Inspect it and make sure all parts are adequately connected.










In a sequential manner, tighten all Bolts and Screws until fully locked into position.

Notice: By hand, turn the Side Turnbuckle Sets (D) and Bottom Turnbuckle Set(E) to fixed point on Turnbuckle Sets (D), (E) to further secure the Table and maximize stability and show the Turnbuckle Sets as place as the picture.

Your Table is ready for use.

This Table can only be used on a flat, level surface.

Care & Maintenance

-  ● Do not put hot items directly on furniture surface
 -  ● Do not clean furniture with harsh cleansers or polish.
 -  ● To obtain the longest lifespan of your outdoor products, minimizing exposure to direct sunlight is recommended.
 -  ● Children should not climb or jump on the furniture.
 -  ● Do not write on furniture without a padded barrier to protect the surface.
 -  ● To obtain the longest lifespan of your outdoor products, avoid extended and lengthy exposure to rain, snow, and direct sunshine. Whenever possible cover the product and /or place under patio or awnings.
 -  ● Not for commercial use. For residential use only .
 -  ● Stains may be removed with mild soap solution and damp cloth.
-
-  ● Dust and pick-up spills using a clean, non-colored, lint-free cloth .