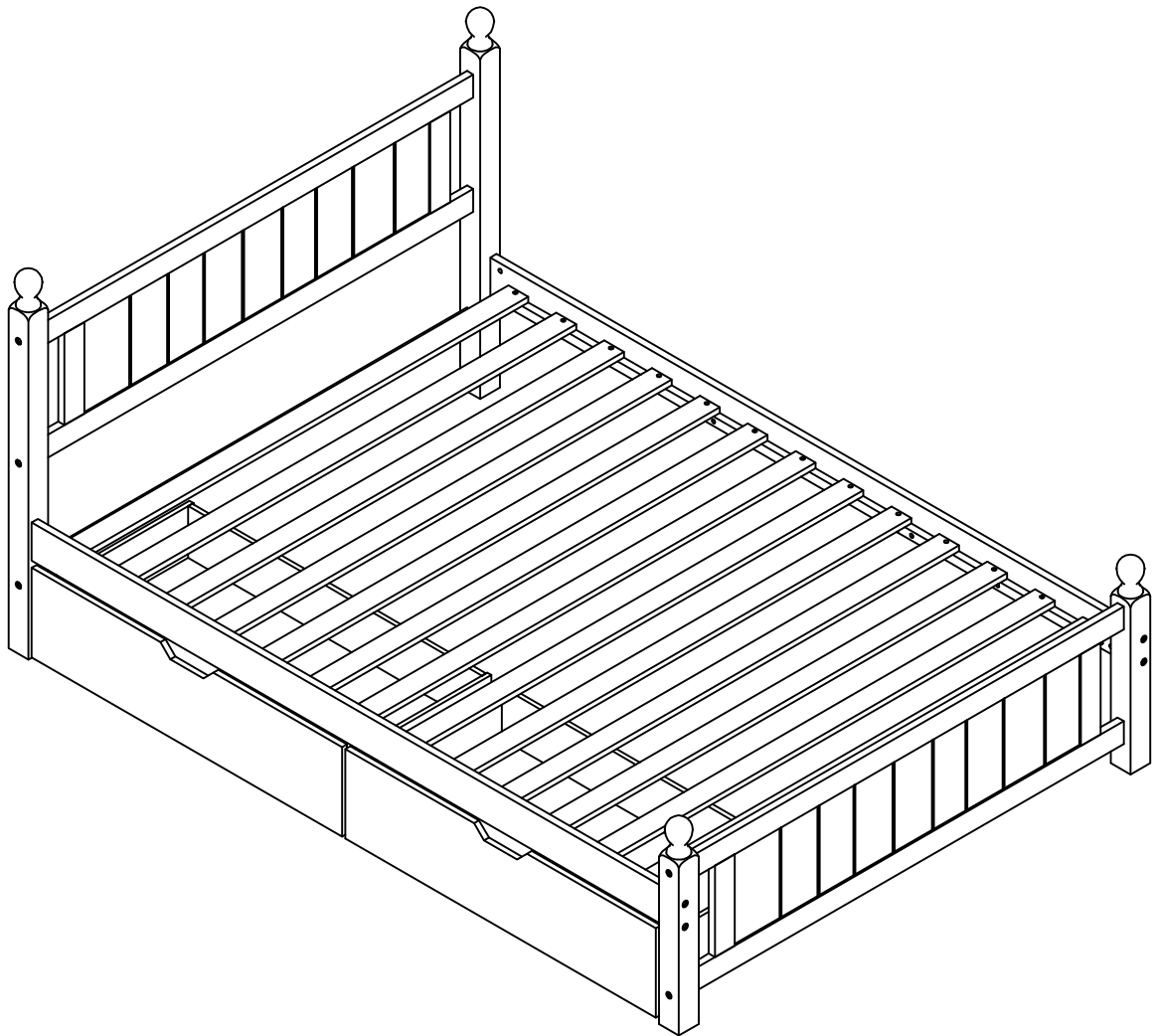
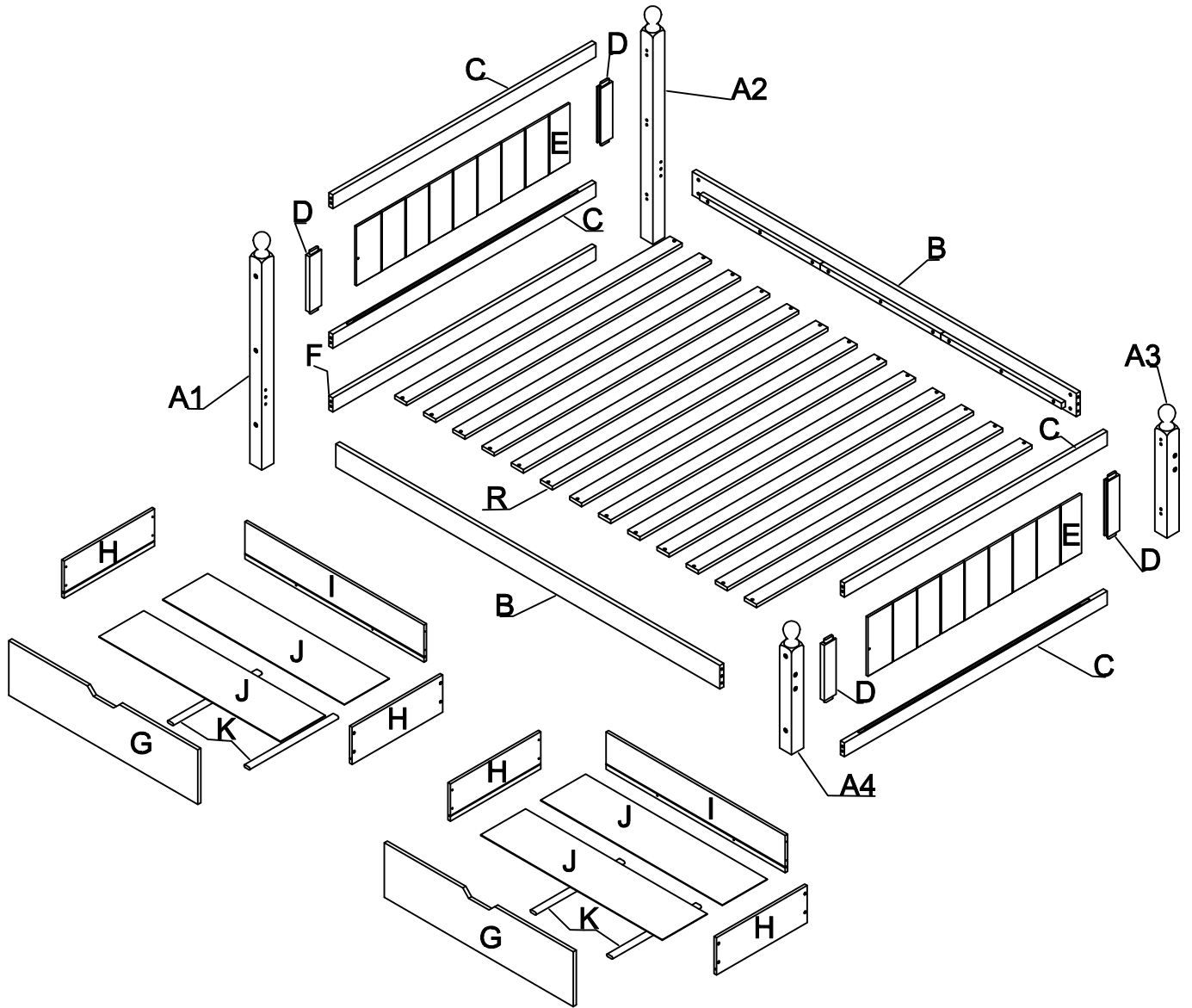


# ASSEMBLY INSTRUCTIONS


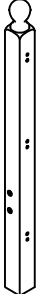
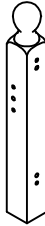
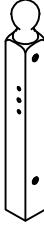
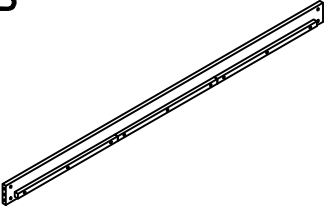
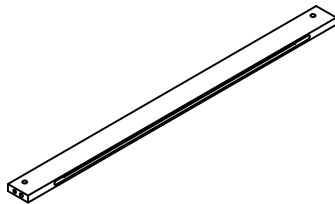

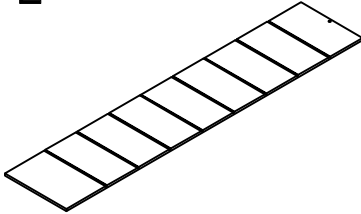
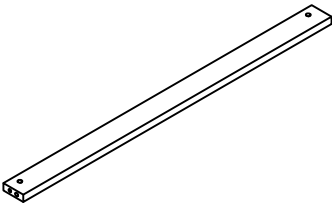
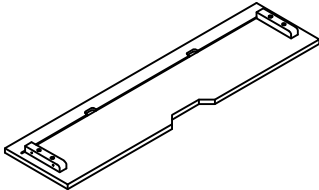
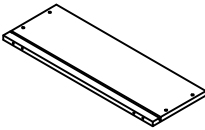
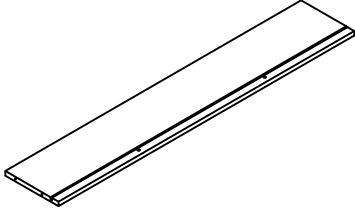
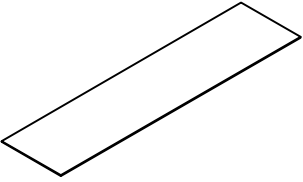
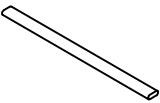
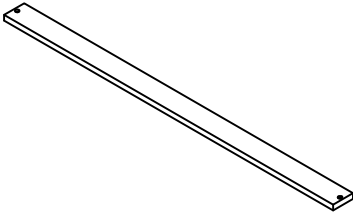
ITEM CODE: WF318551



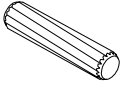
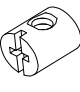
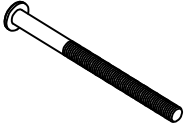
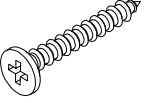


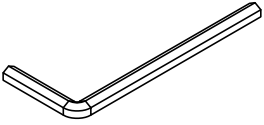
# DETAIL VIEW

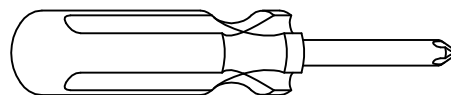


# BOX: WF318551

<p><b>A1</b></p>  <p>Left Fore Leg - (1pc)</p>	<p><b>A2</b></p>  <p>Left Hind Leg - (1pc)</p>	<p><b>A3</b></p>  <p>Right Hind Leg - (1pc)</p>	<p><b>A4</b></p>  <p>Right Fore Leg - (1pc)</p>
<p><b>B</b></p>  <p>Shoulder Bed - (2pcs)</p>	<p><b>C</b></p>  <p>Frame Horizontal Bar-(4pcs)</p>	<p><b>D</b></p>  <p>Vertical Bar - (4pcs)</p>	<p><b>E</b></p>  <p>Hip Plank - (2pcs)</p>
<p><b>F</b></p>  <p>Horizontal Below-(1pc)</p>	<p><b>G</b></p>  <p>Front of Drawer - (2pcs)</p>	<p><b>H</b></p>  <p>Hip Pull - (4pcs)</p>	<p><b>I</b></p>  <p>Back of Drawer - (2pcs)</p>
<p><b>J</b></p>  <p>Board That Drawer- (4pcs)</p>	<p><b>K</b></p>  <p>Support Drawer - (4pcs)</p>	<p><b>R</b></p>  <p>Slats - (13pcs)</p>	

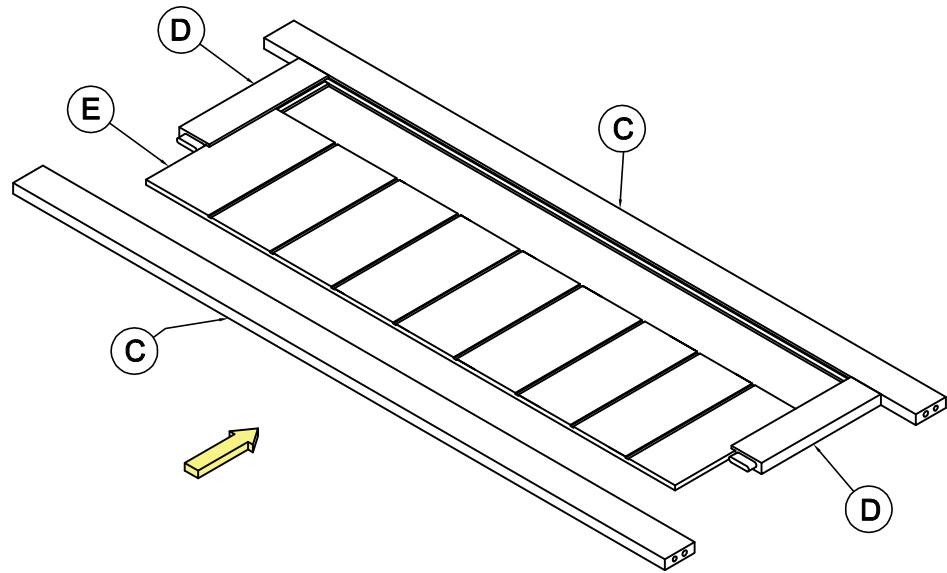
# HARDWARE LIST: WF318551

<p>1</p>  <p>Wood dowel Ø8 * 30 - 14pcs</p>	<p>2</p>  <p>Horizontal - Hold bolts Ø1/4" - 18pcs</p>	<p>3</p>  <p>Hex - Head bolts Ø1/4" * 110 - 18pcs</p>	<p>4</p>  <p>Wood crews M4 * 25 - 46pcs</p>
<p>5</p>  <p>Round wood crews M3.5 * 15 - 16pcs</p>	<p>6</p>  <p>Wheel 8pcs</p>	<p>7</p>  <p>Allen key K4 - 2pcs</p>	



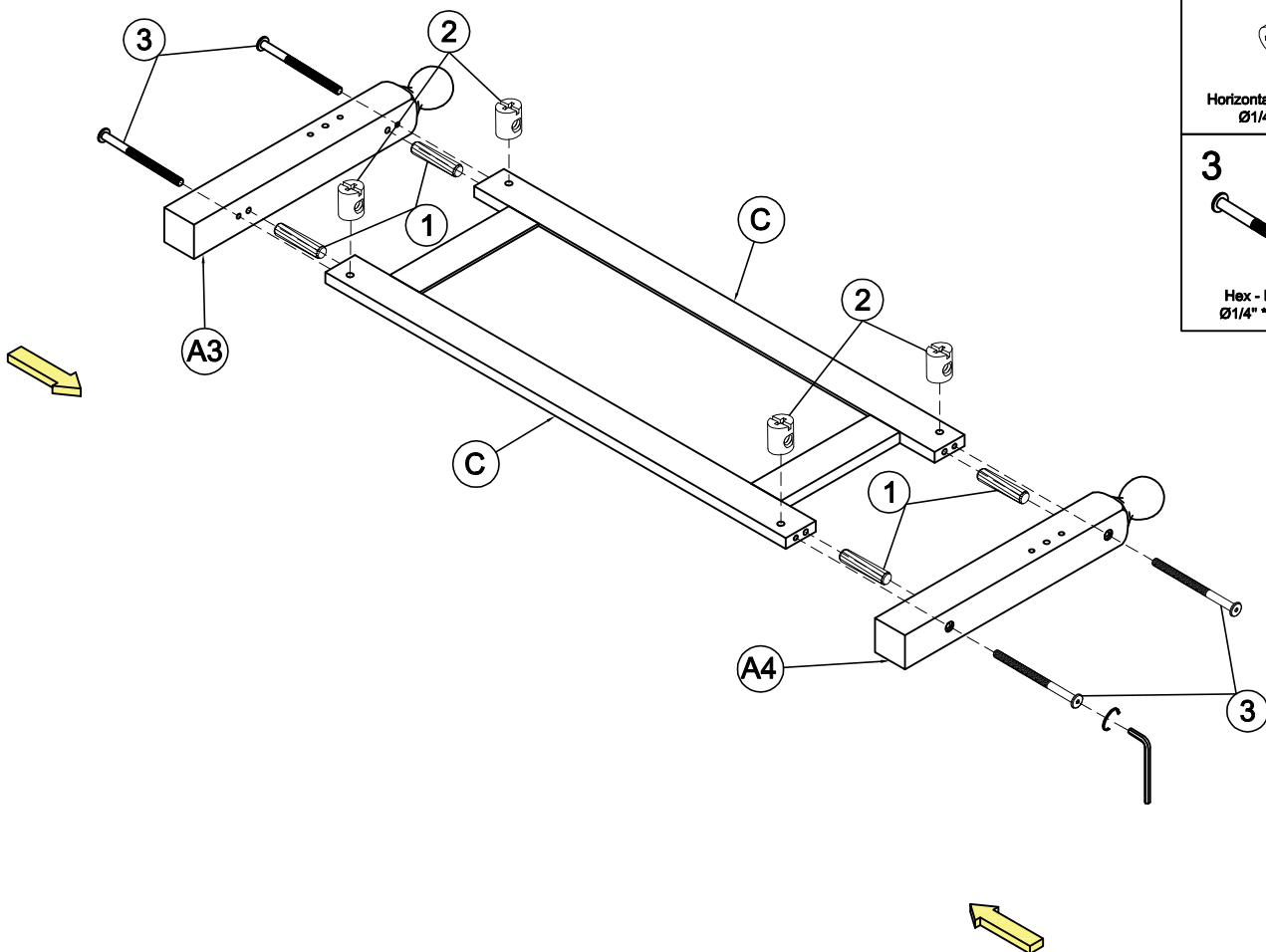
Assembly Tools Required (Not Included)

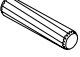
# STEP 1





X2

# STEP 2

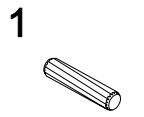


1  
  
Wood dowel  
Ø8 \* 30 - 4pcs

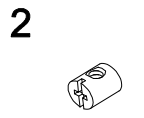
2  
  
Horizontal - Hold bolts  
Ø1/4" - 4pcs

3  
  
Hex - Head bolts  
Ø1/4" \* 110 - 4pcs

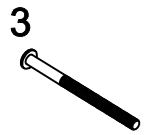
# STEP 3



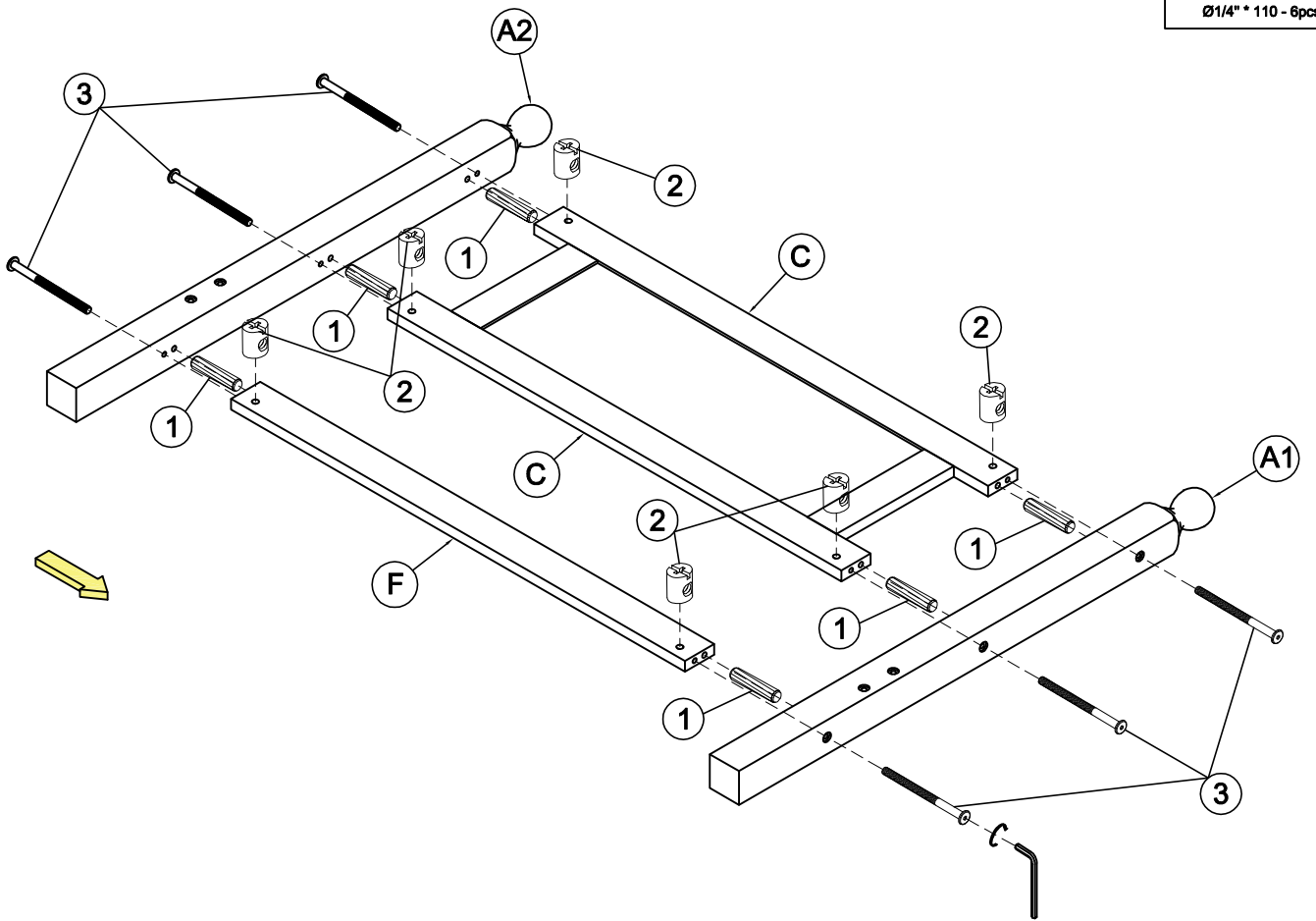
Wood dowel  
Ø8 \* 30 - 6pcs



Horizontal - Hold bolts  
Ø1/4" \* 6pcs



Hex - Head bolts  
Ø1/4" \* 110 - 6pcs



# STEP 4

1



Wood dowel  
Ø8 \* 30 - 4pcs

2

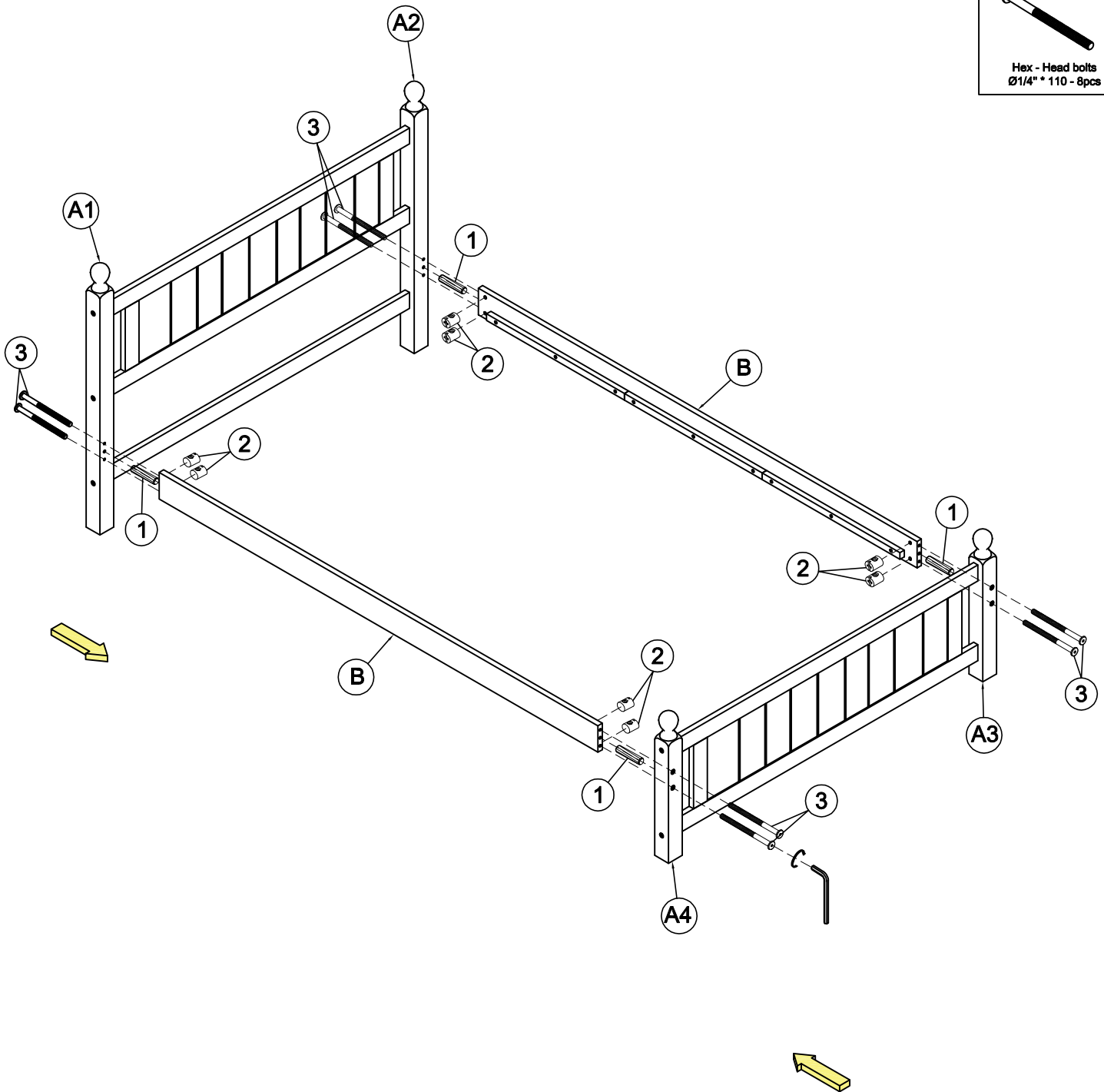


Horizontal - Hold bolts  
Ø1/4" - 8pcs

3

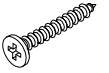


Hex - Head bolts  
Ø1/4" \* 110 - 8pcs

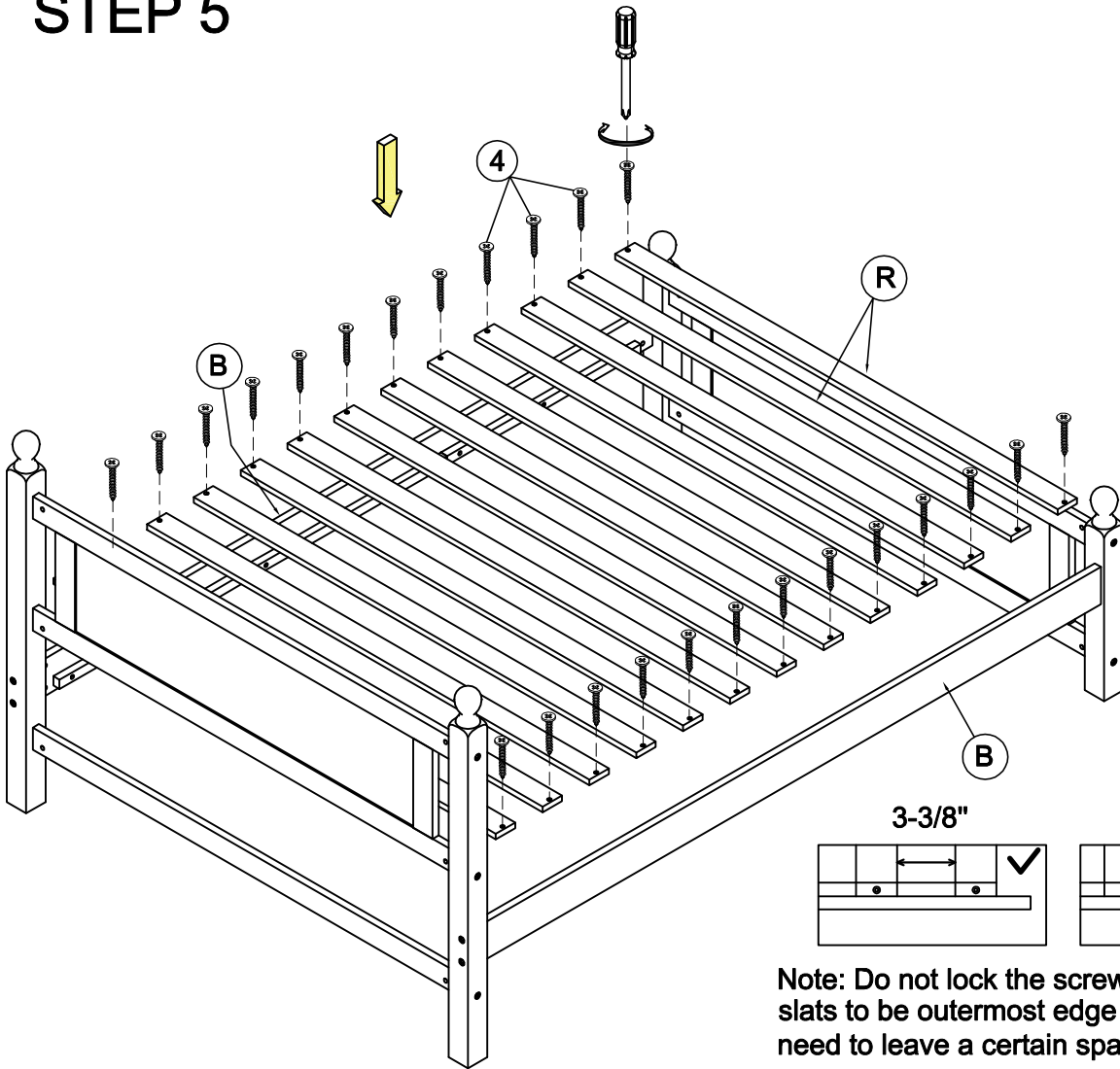


# STEP 5

4



Wood crews  
M4 \* 25 - 28pcs



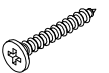
3-3/8"

Note: Do not lock the screws of the bed slats to be outermost edge the bed slats, you need to leave a certain space at the edges, otherwise it will cause the board to break

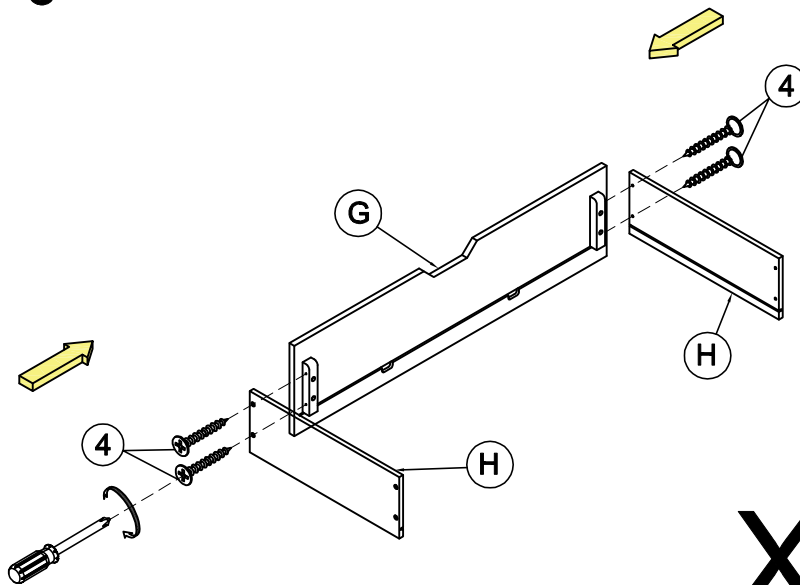
There are no reserved holes, screws can be drilled in

# STEP 6

4



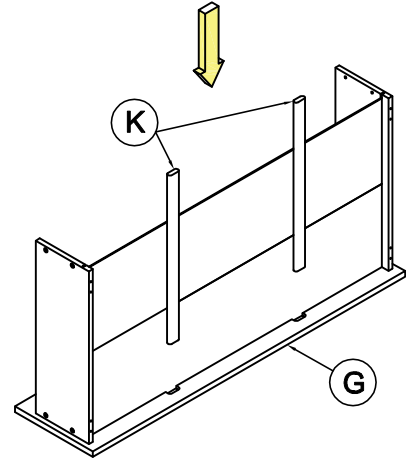
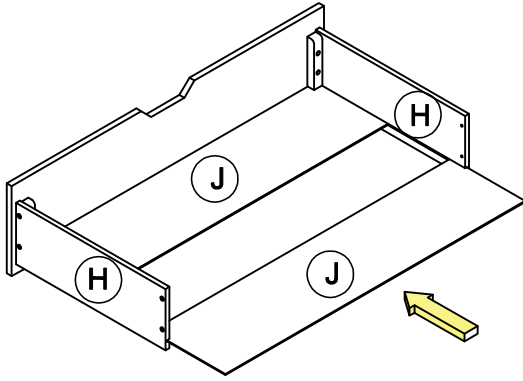
Wood crews  
M4 \* 25 - 8pcs



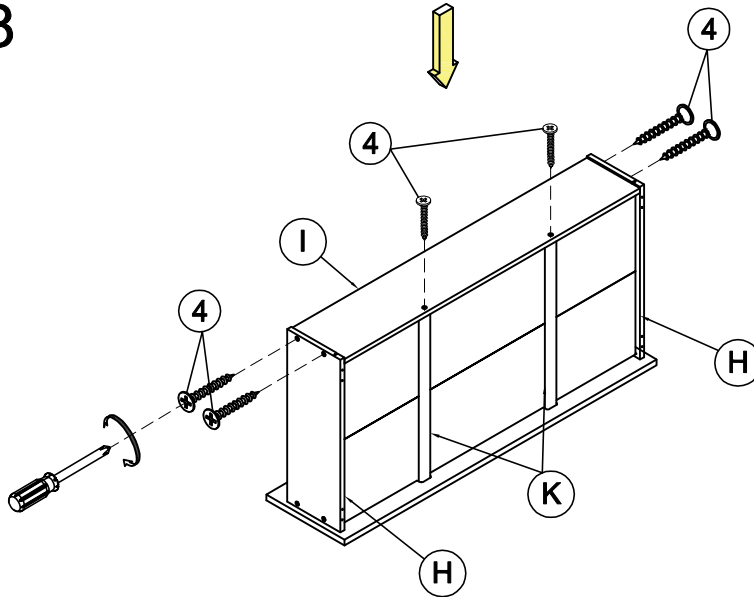
X2

# STEP 7

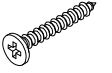
# X2



# STEP 8



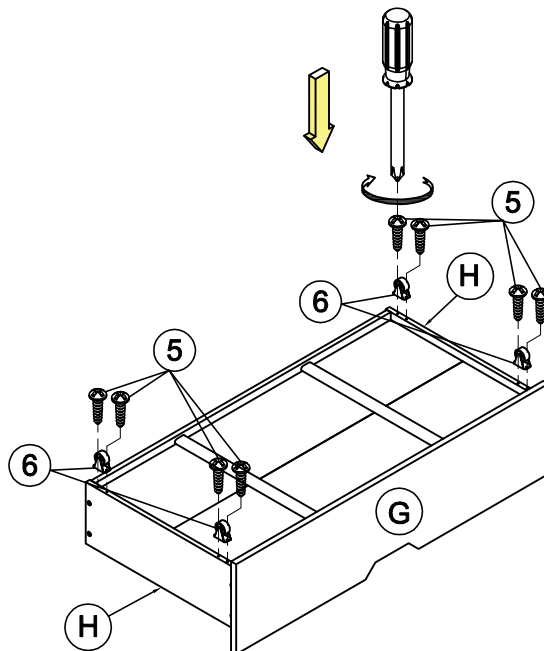
4



Wood crews  
M4 \* 25 - 12pcs

# X2

# STEP 9



5



Round wood crews  
M3.5 \* 15 - 16pcs

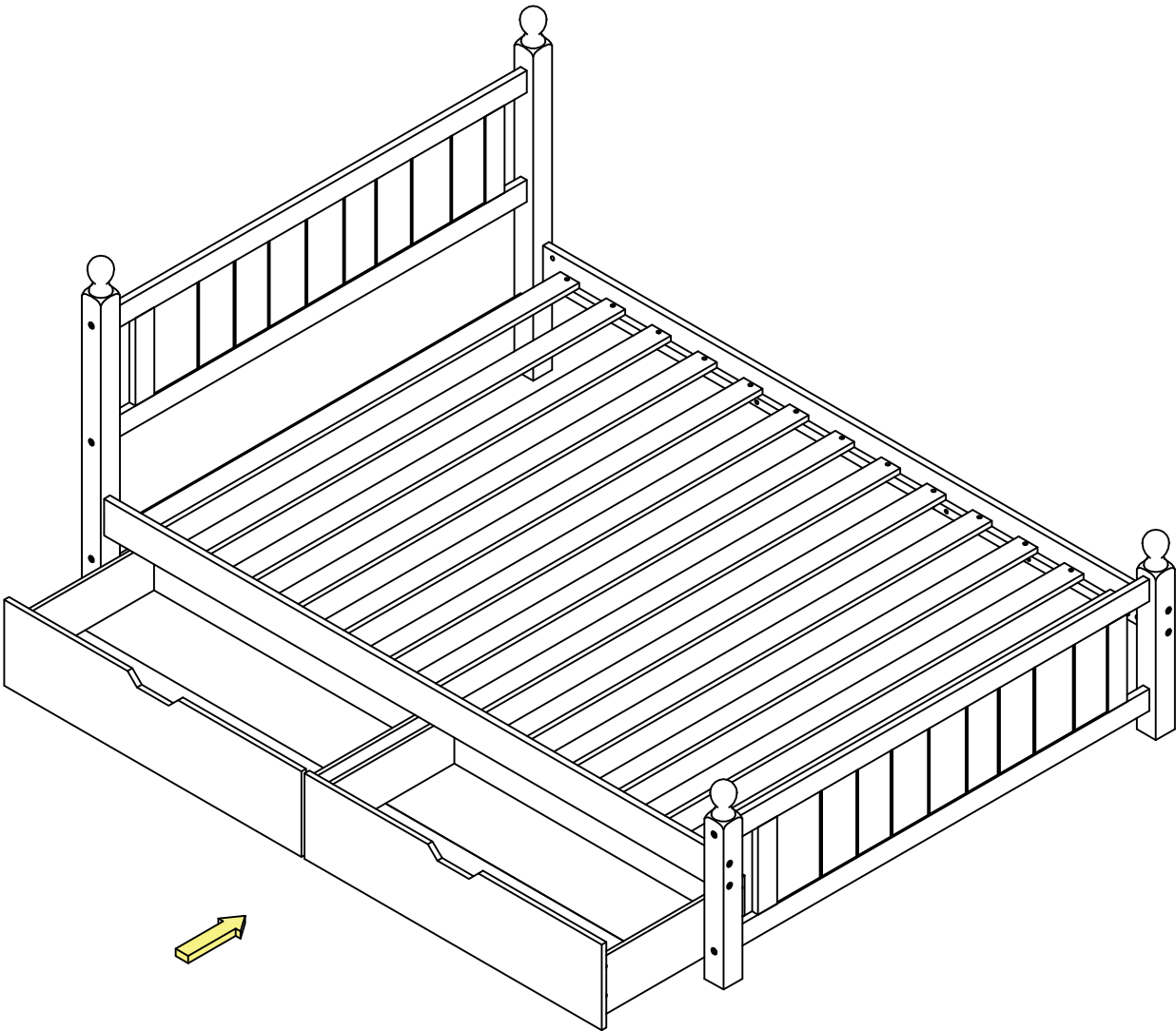
6



Wheel  
8pcs

# X2

# STEP 10



COMPLETED

