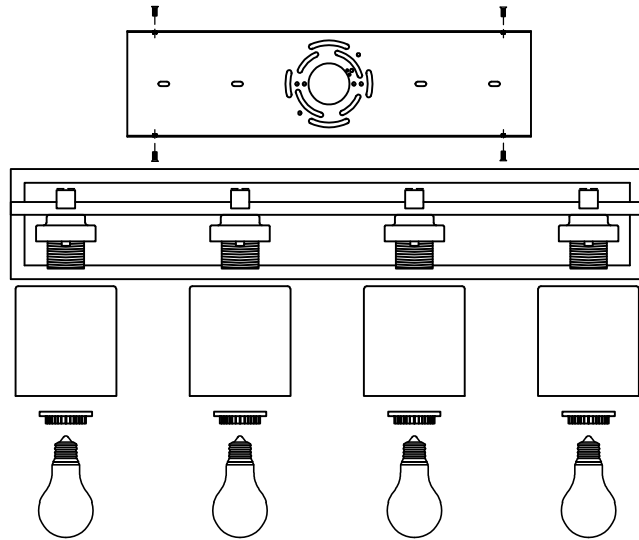
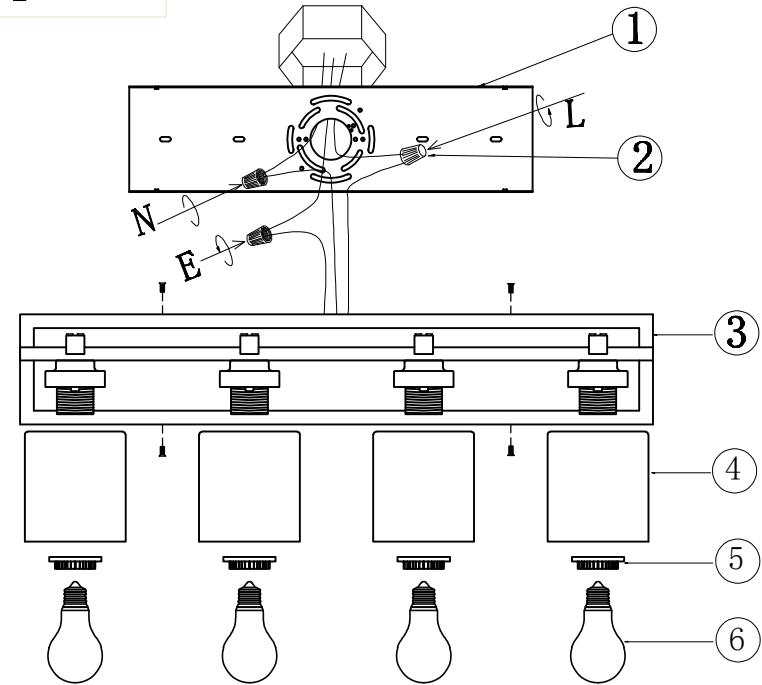


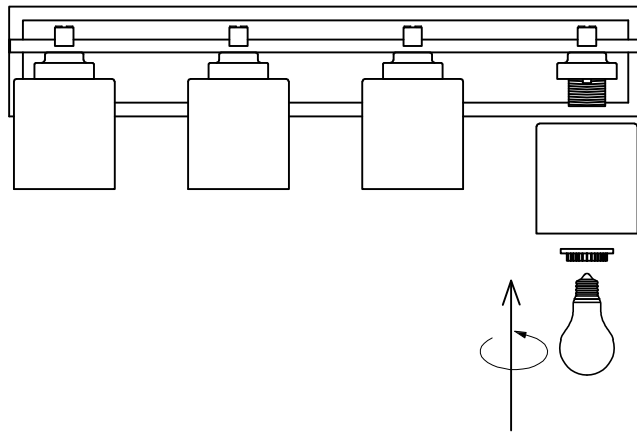
Parts



Steps 2



Steps 1



1. Install the lampshade in order as shown in the figure, and then twist the crystal cylinder.

1. Assembled the mounting bracket to the ceiling junction box with the screw.
2. Connect the power cord out from the ceiling junction box to lamp wires with the lead wire and wire nut, according to the color to connect.
(U.S. - black for "L", white for "N", copper wire for "Ground E")
3. Assemble the canopy to the mounting bracket with the screw.
4. Turn the switch up and down to adjust the color temperature of the light according to your preference.