

Green and Gold Refrigerator

(WCF29)

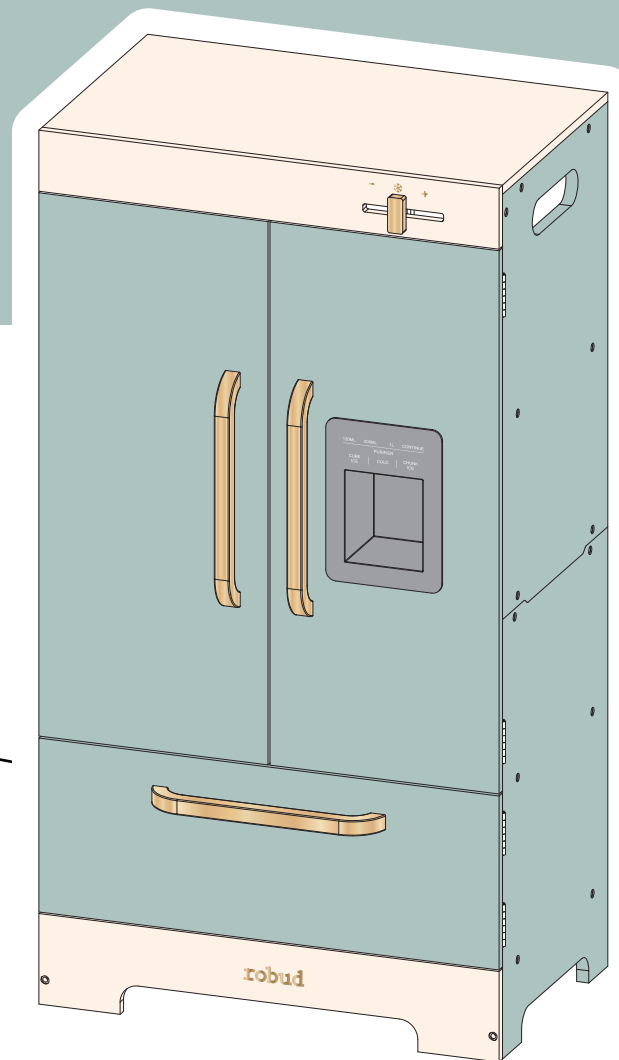


98.1WCF29.150


Assembly Instruction

Please follow this instruction to avoid assembly errors.

For customer service, please contact **E-mail: shop@robud.com**



WARNING:

- CHOKING HAZARD-Small parts. Not suitable for children under 3 years.
- Toys intended to be assembled by an adult. Children should use the product under adult's guidance.
- After opening the package, please keep the packaging items such as plastic film or bags away from babies and children to avoid danger of suffocation.
-  tool is not a toy! Please keep the tool for future use and store it where children cannot access it.
- The instruction must be retained since it contains important information.

MAINTENANCE:

- Please keep the product away from fire, substances flammable and humid environments to prevent damage.
- Please keep the product away from water, and don't put liquid in the pot sets.
- Please clean the product with dry soft cloth, don't clean this product with chemical cleaners: alcohol, ammonia water, glass cleaner, etc.



Assembly Tips

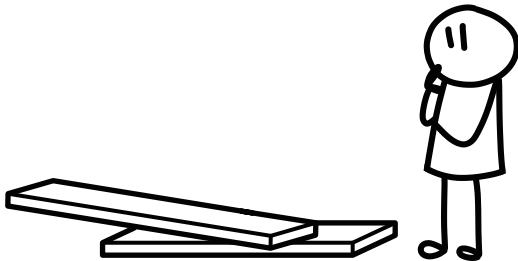
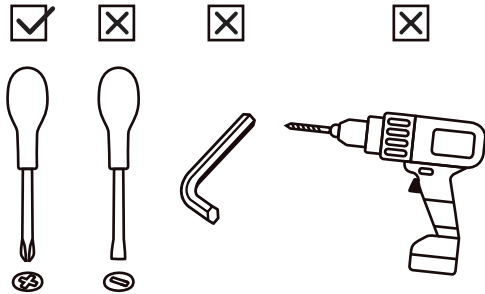


Assembly time: 2-2.5 hours

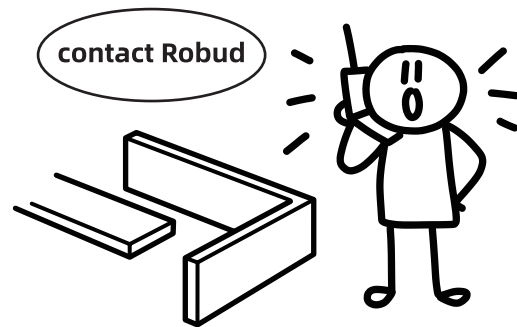
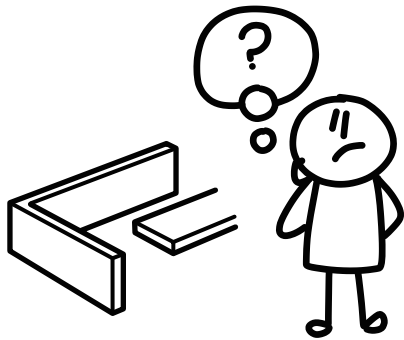


Recommended Tools:

(Please prepare them by yourself.)



- Avoid overtightening screws during assembly.
- Screws should be fully tightened once.
- Arrange all accessories on a hard, flat surface for assembly.
- Follow the instructions step by step.



If you feel hard to assemble the toy or there is any other problem that makes you feel unhappy with the product, please contact us shop@robud.com. We are glad to do our best to solve your problem and provide a solution to your satisfaction.

Helpful Hints and Tips

Icon Illustration:

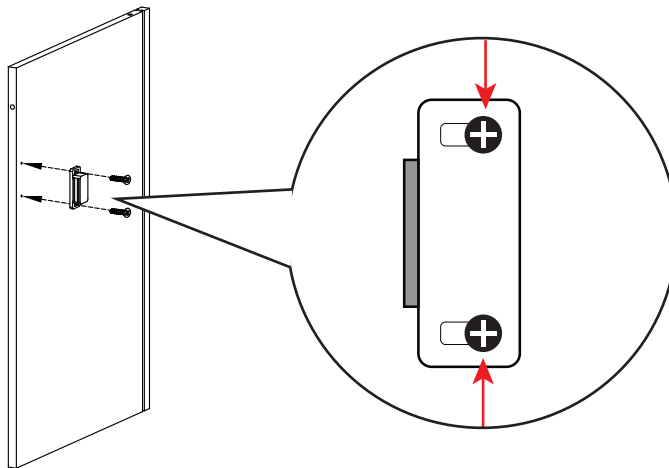
! Special attention in assembly

1 Step 1

 Remove the plastic film on surface

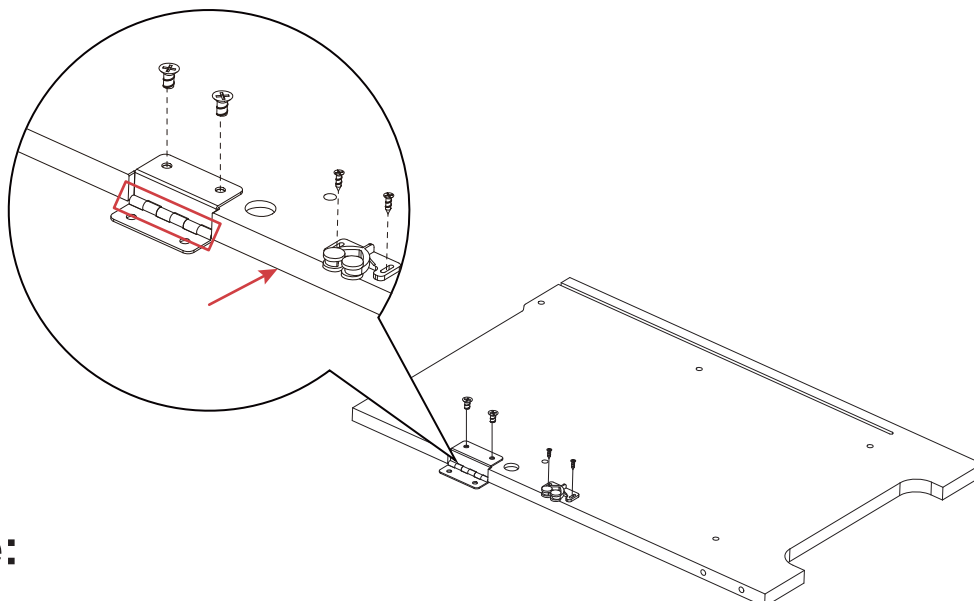
2 Step 2

 Perspective conversion



! Notice:

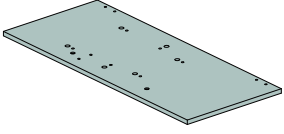
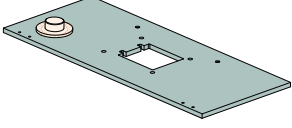
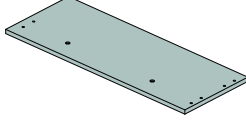
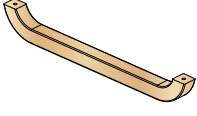
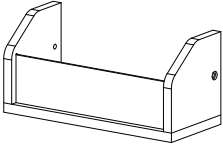
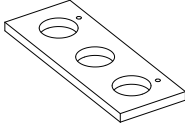
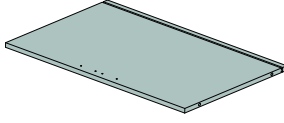
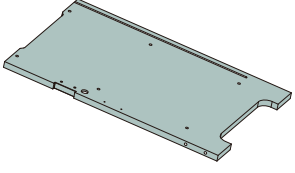
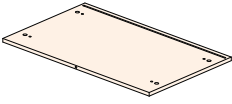
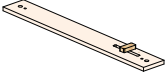
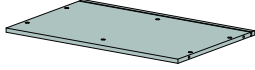

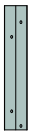
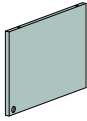
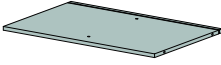
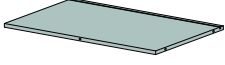
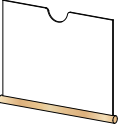
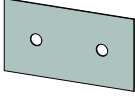
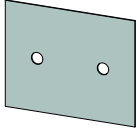
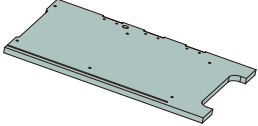
When assembling the door stop, hold the screw with the screwdriver first and then adjust the screw to the position shown on the left.



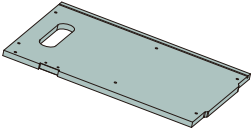
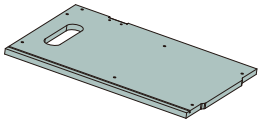
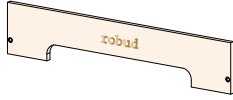
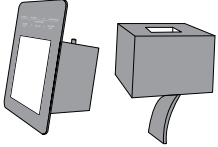
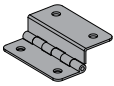
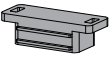
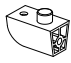
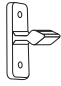

! Notice:

Align the axle of 25 with the bottom of the board.

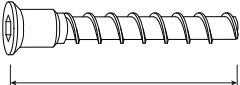
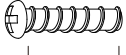
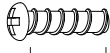


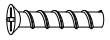

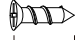
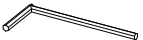
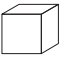


Product Parts

<p>1</p> 	<p>2</p> 	<p>3</p> 	<p>4</p> 
<p>x1</p>	<p>x1</p>	<p>x1</p>	<p>x3</p>
<p>5</p> 	<p>6</p> 	<p>7</p> 	<p>8</p> 
<p>x1</p>	<p>x1</p>	<p>x1</p>	<p>x1</p>
<p>9</p> 	<p>10</p> 	<p>11</p> 	<p>12</p> 
<p>x1</p>	<p>x1</p>	<p>x1</p>	<p>x1</p>
<p>13</p> 	<p>14</p> 	<p>15</p> 	<p>16</p> 
<p>x1</p>	<p>x1</p>	<p>x1</p>	<p>x1</p>
<p>17</p> 	<p>18</p> 	<p>19</p> 	<p>20</p> 
<p>x2</p>	<p>x3</p>	<p>x1</p>	<p>x1</p>

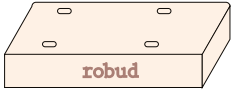
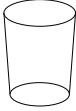






Hardware

<p>21</p> 	<p>22</p> 	<p>23</p> 	<p>24</p> 
<p>x1</p>	<p>x1</p>	<p>x1</p>	<p>x1</p>
<p>25</p> 	<p>26</p> 	<p>27</p> 	<p>28</p>  <p>x1</p>
<p>x6</p>	<p>x2</p>	<p>x12</p>	<p>29</p>  <p>x1</p>

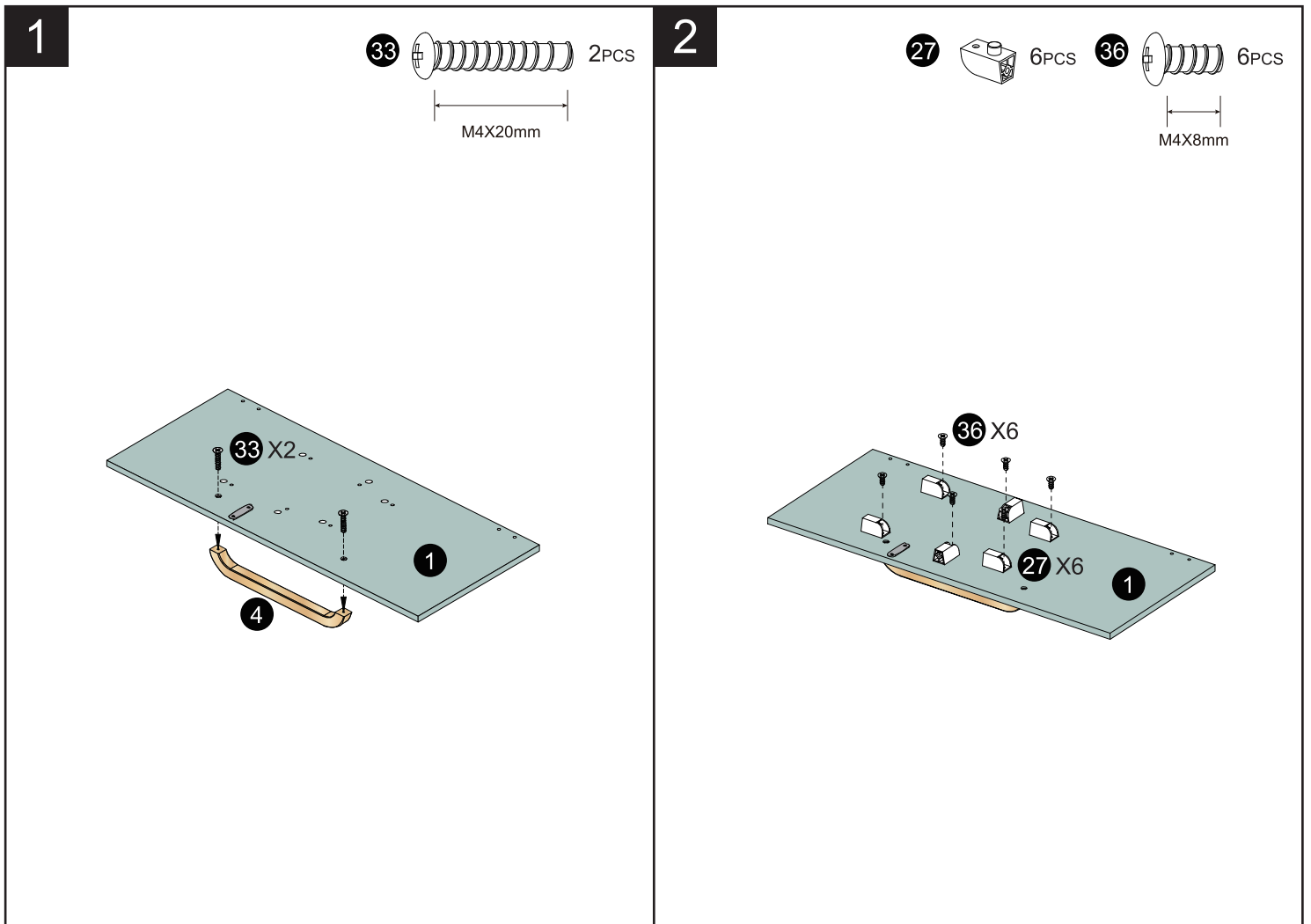
Hardware and Accessories

<p>30</p>  <p>M5X30mm</p>	<p>31</p>  <p>M3X12mm</p>	<p>32</p>  <p>M3X10mm</p>	<p>33</p>  <p>M4X20mm</p>
<p>x22</p>	<p>x2</p>	<p>x4</p>	<p>x26</p>
<p>34</p>  <p>M4X6mm</p>	<p>35</p>  <p>M3X12mm</p>	<p>36</p>  <p>M4X8mm</p>	<p>37</p>  <p>M3X8mm</p>
<p>x24</p>	<p>x4</p>	<p>x12</p>	<p>x4</p>
<p>38</p> 	<p>39</p> 	<p>40</p> 	<p>41</p> 
<p>x1</p>	<p>x2</p>	<p>x2</p>	<p>x1</p>

Hardware and Accessories

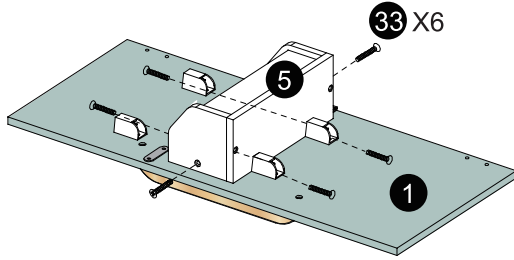
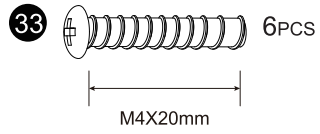
<p>42</p> 	<p>43</p> 	<p>44</p> 	<p>45</p> 
<p>x1</p>	<p>x1</p>	<p>x1</p>	<p>x1</p>
<p>46</p> 	<p>47</p> 	<p>48</p> 	<p>49</p> 
<p>x1</p>	<p>x1</p>	<p>x1</p>	<p>x1</p>

Assembly Instruction

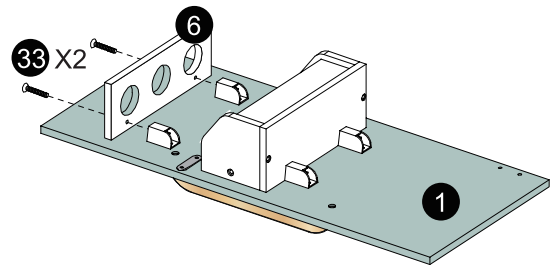
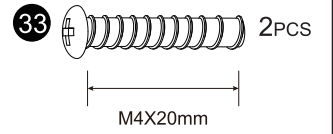


Assembly Instruction

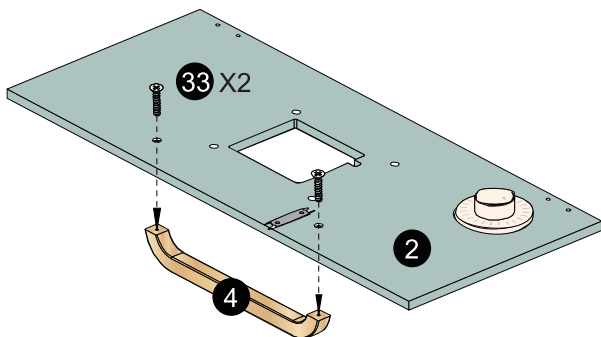
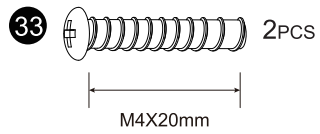
3



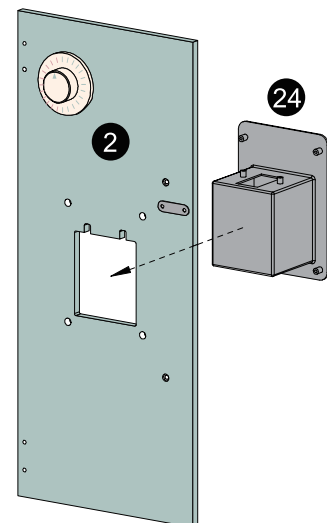
4



5

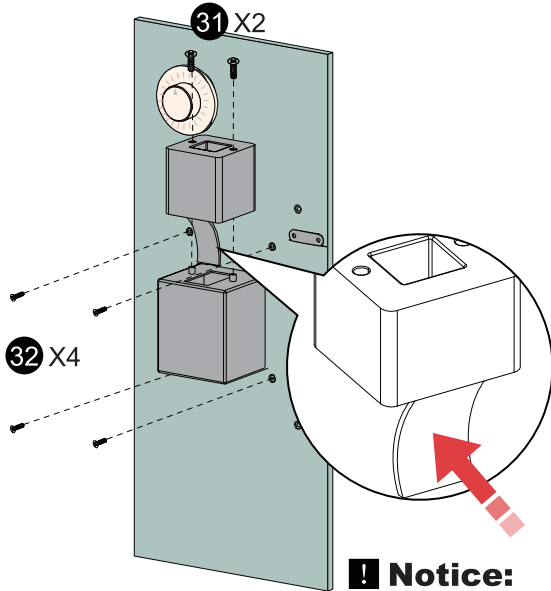


6



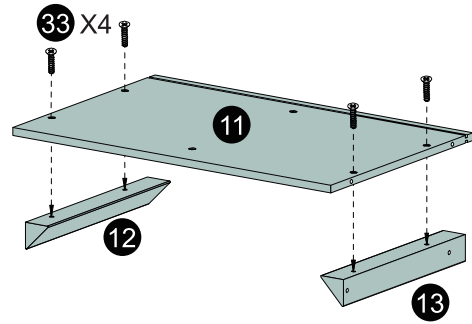
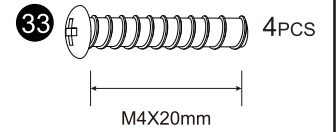
Assembly Instruction

7



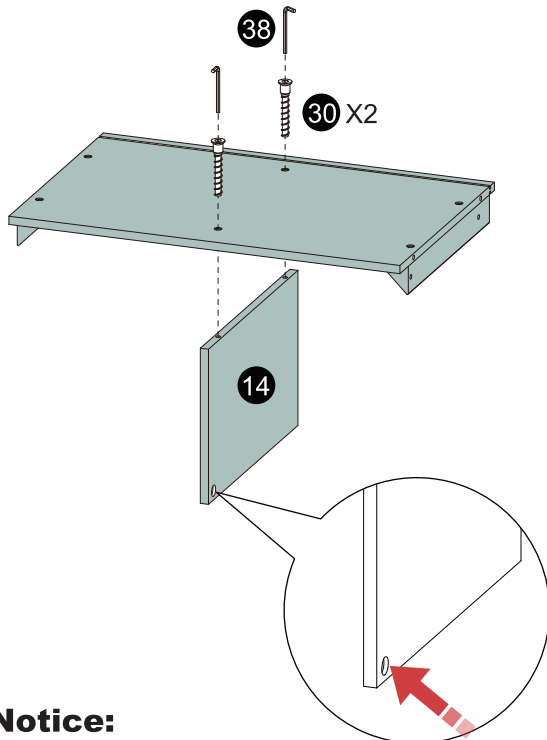
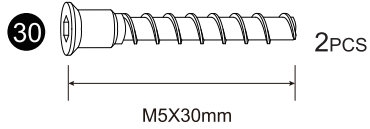
! Notice:
Pay attention to radian

8



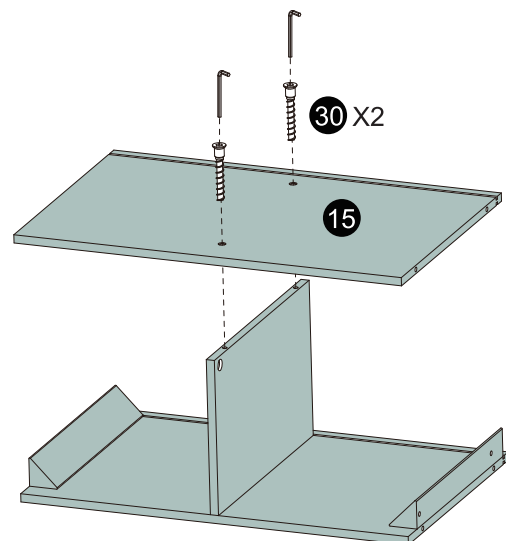
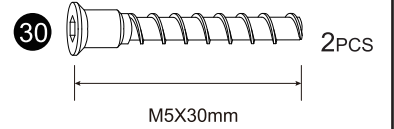
! Notice:
Distinguish Part 12 from 13.

9



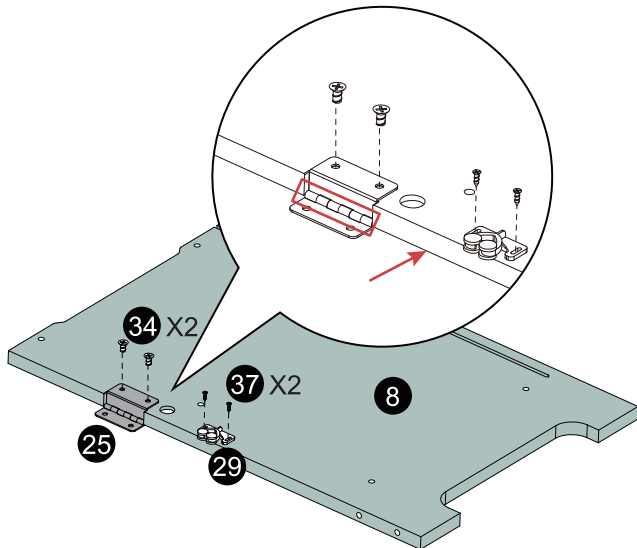
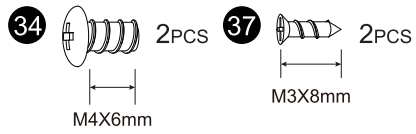
! Notice:
Pay attention to the direction of the holes.

10



Assembly Instruction

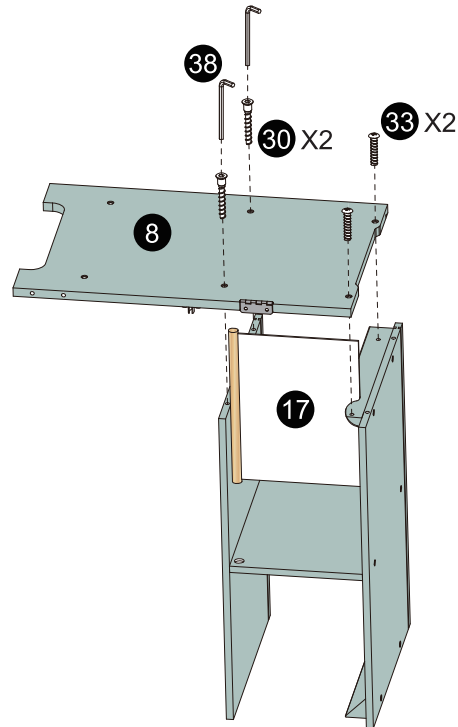
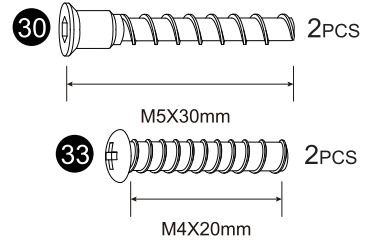
11



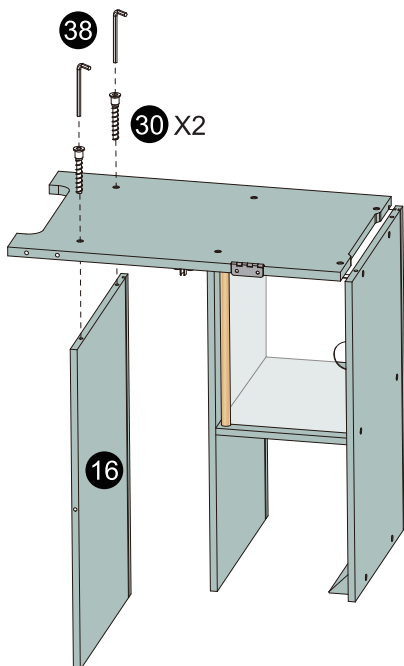
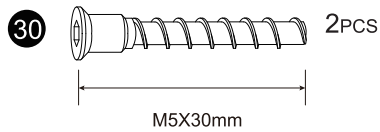
Notice:

Align the axle of 25 with the bottom of the board.

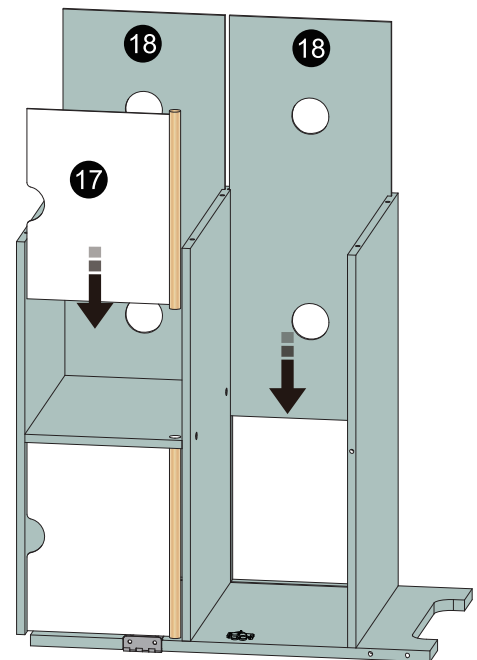
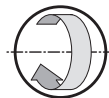
12



13



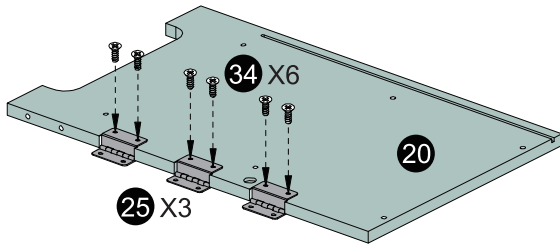
14



Assembly Instruction

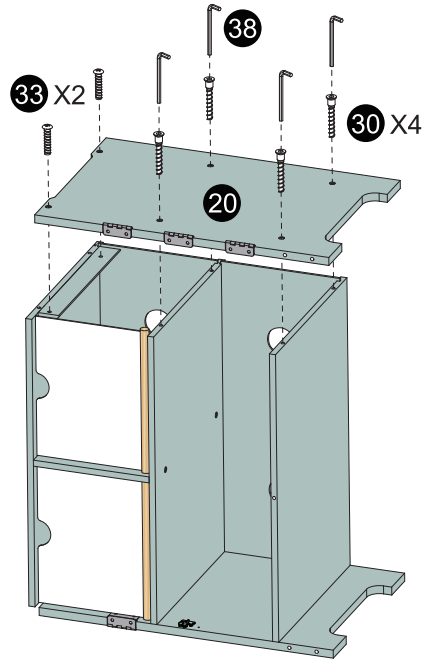
15

25 3PCS 34 6PCS
M4X6mm



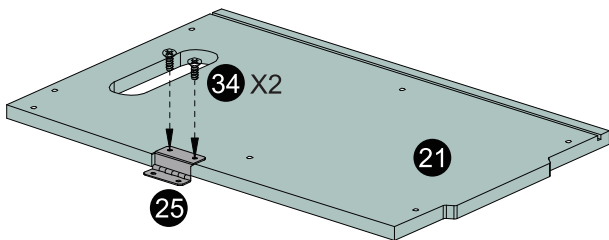
16

30 4PCS
M5X30mm
33 2PCS
M4X20mm



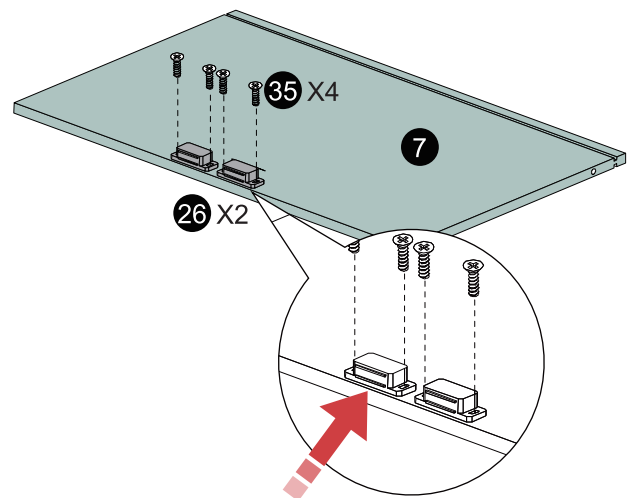
17

25 1PCS 34 2PCS
M4X6mm



18

26 2PCS 35 4PCS
M3X12mm

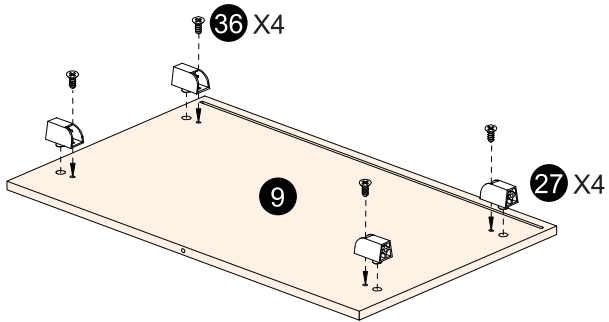
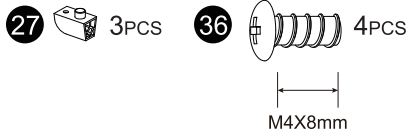


! Notice:

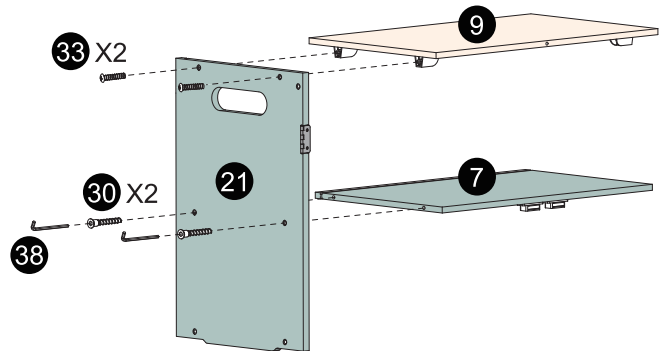
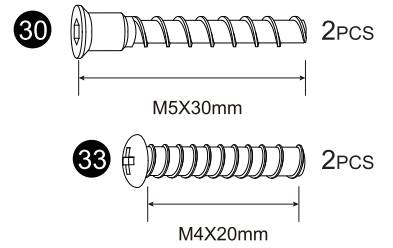
Pay attention to the direction of the magnet.

Assembly Instruction

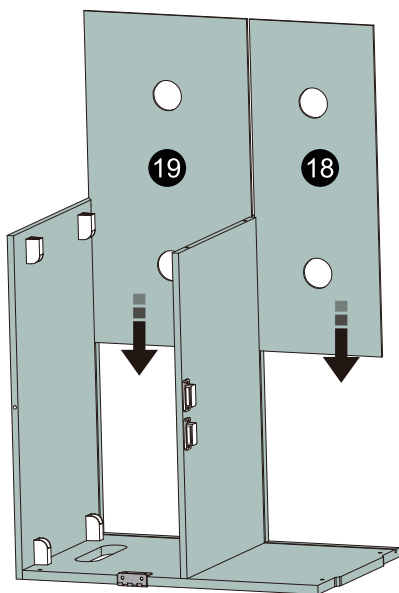
19



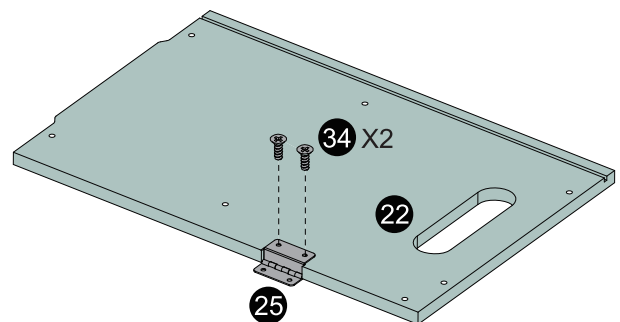
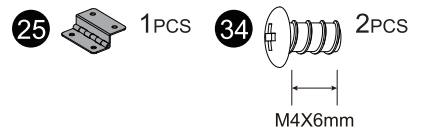
20



21

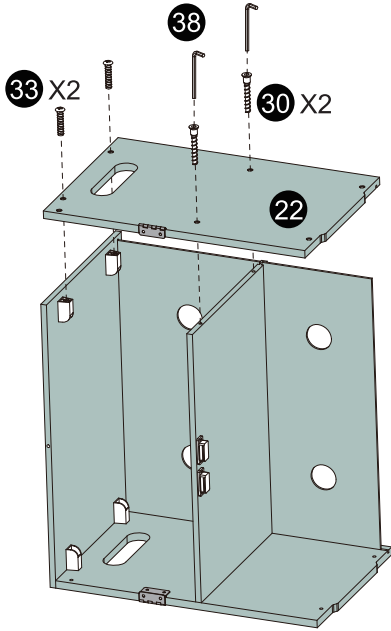
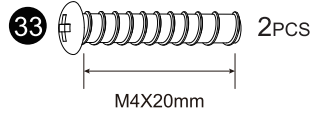
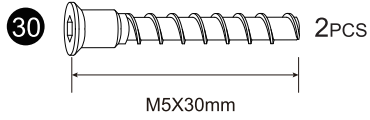


22

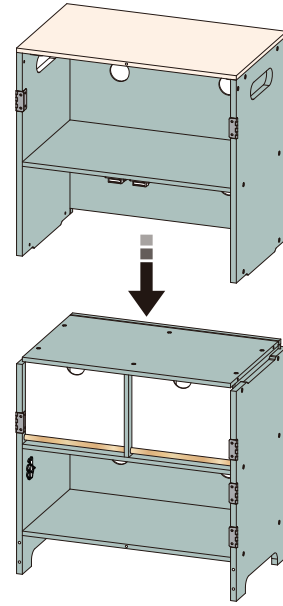


Assembly Instruction

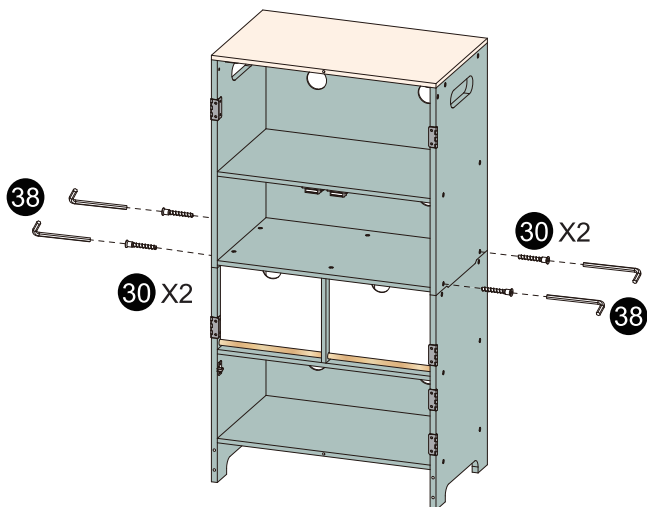
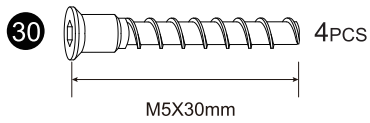
23



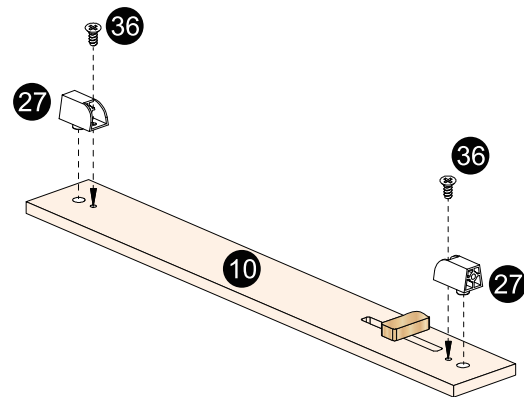
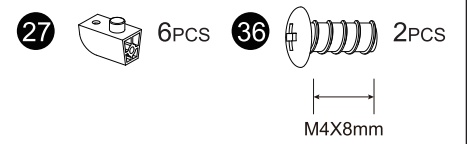
24



25

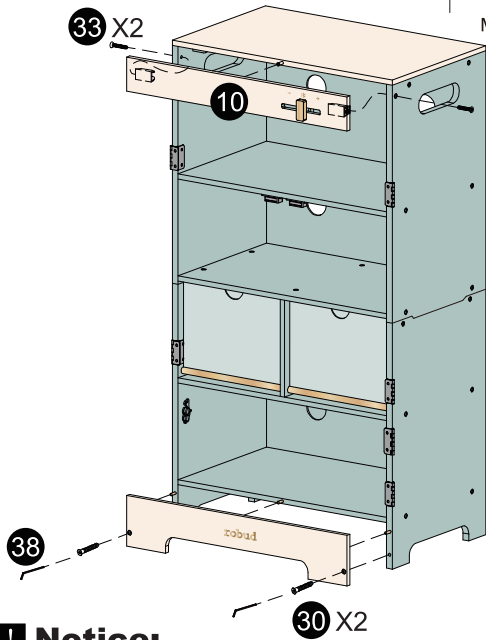
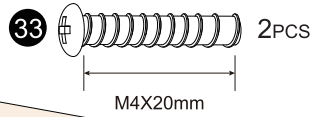
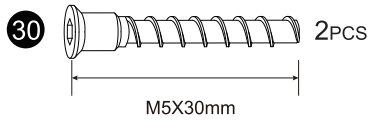


26



Assembly Instruction

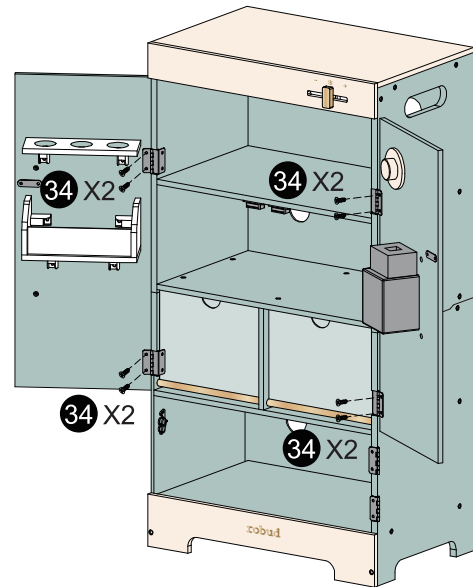
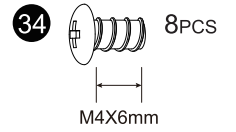
27



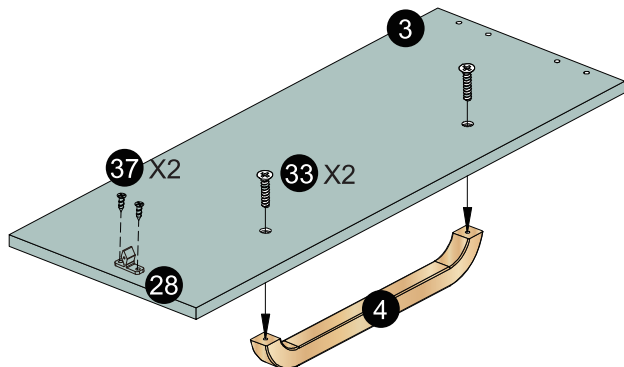
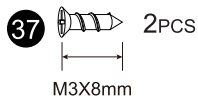
! Notice:

Pay attention to the direction of Part 10.
The side with Part 27 faces inward.

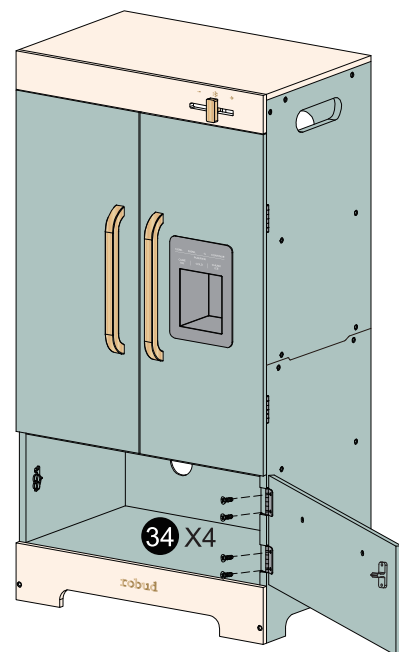
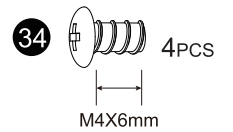
28



29



30



Other Products

Modular Kitchen *NEW&HOT*



SKU: WCF14

Name: Dream Kitchen
29.7*13.8*38.6(inch)
75.4*35*98(cm)



SKU: WCF29

Name: Green and gold refrigerator
18.1*11*40.5(inch)
46*28*103(cm)



SKU: WCF28

Name: Green and gold oven
16.1*11.8*22.4(inch)
41*30*57(cm)



SKU: WCF30

Name: Green and gold washing machine
22*11.8*20(inch)
56*30*51(cm)



SKU: WCF04

Name: Vintage Green Kitchen
21.7*11.6*31.5(inch)
55*29.5*80(cm)



SKU: WCF22

Name: Vintage green refrigerator
23.6*11.8*24(inch)
37.5*30*81(cm)



SKU: WCF20

Name: Vintage green oven
16.1*11.8*22.4(inch)
41*30*57(cm)



SKU: WCF21

Name: Vintage green washing machine
16.1*11.8*22.4(inch)
60*30*61(cm)

Other Products

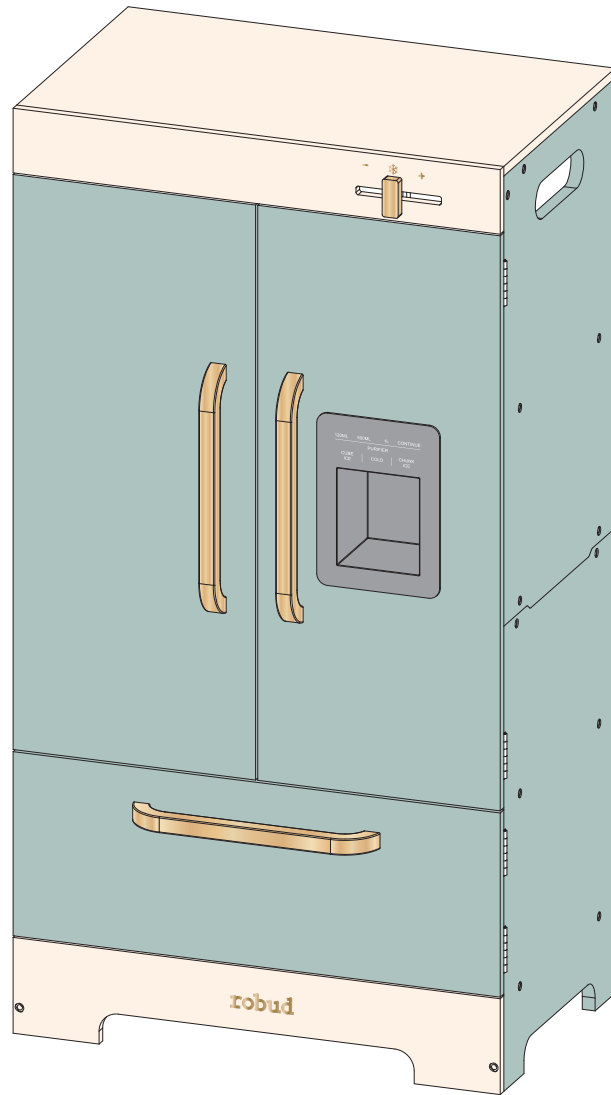


WCF25



WCF23&24





www.robud.com