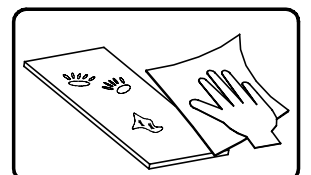
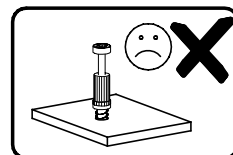
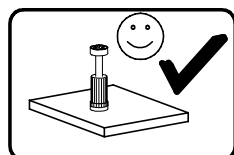
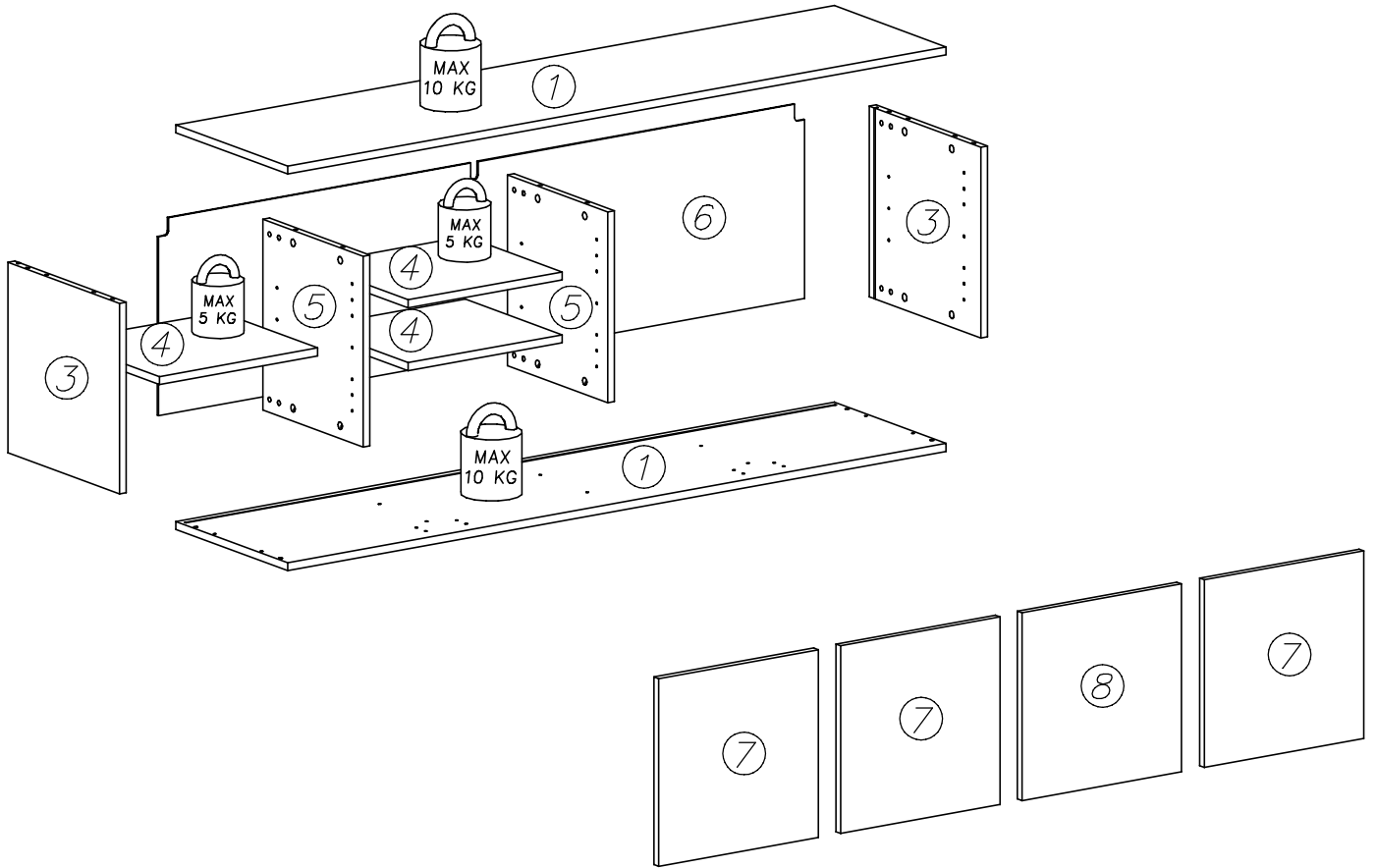
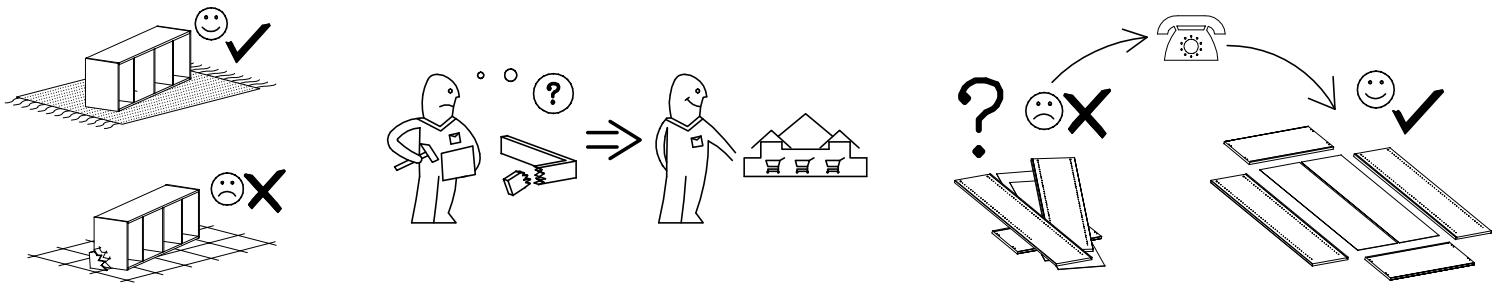
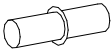
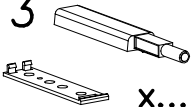

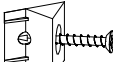

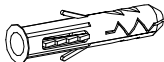

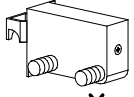
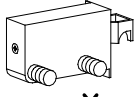



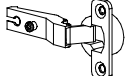
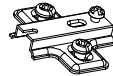


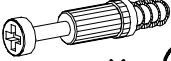


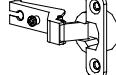
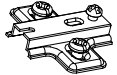


1,5h



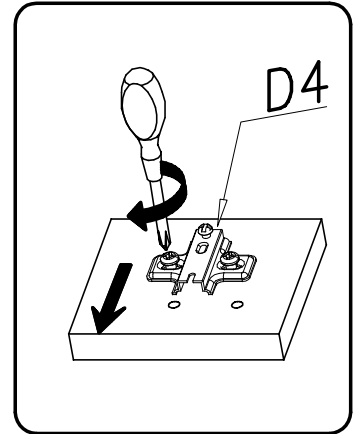
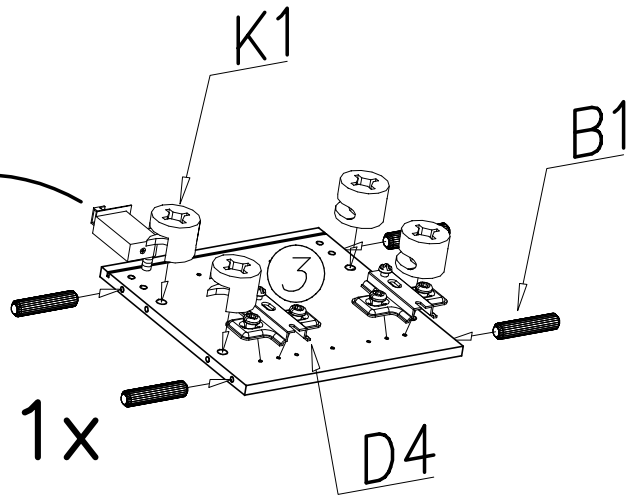
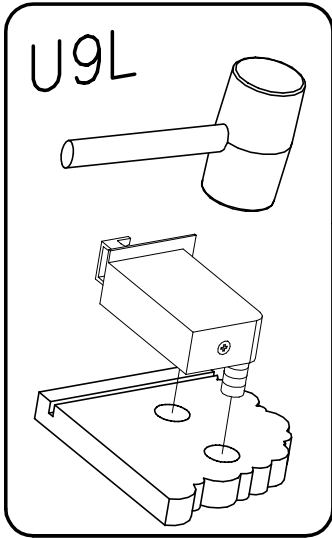
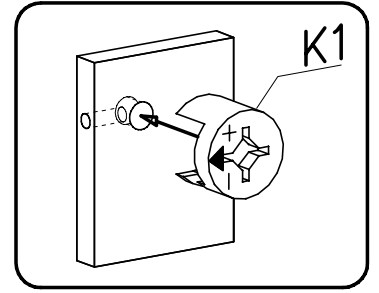
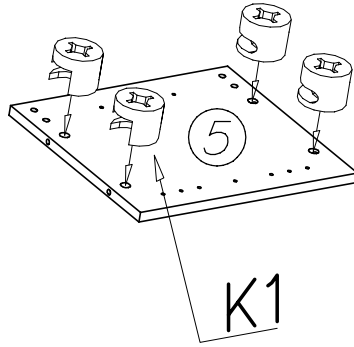


F2  x...(12)	L13  x...(4)	G34  3,5x16 x...(22)	I1  x...(10)	U7  x...(3)	U8  ø10x60 x...(3)
G50  6x13 x...(8)	U9L  x...(1)	U9R  x...(2)	U10L  x...(1)	U10R  x...(2)	
K1  ø15x12 x...(16)	C10  x...(4)	D10  x...(4)	I4  ø5 x...(10)	I10  ø10 x...(10)	
K10  x...(16)	B1  ø8x35 x...(8)	I7  x...(16)	C4  x...(4)	D4  H=2 x...(4)	

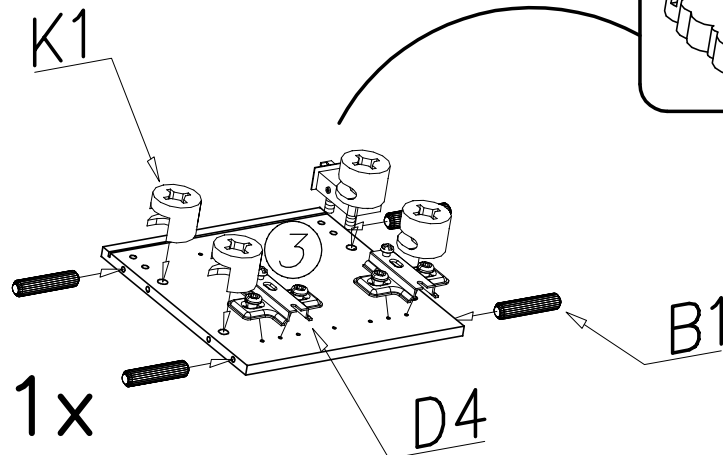
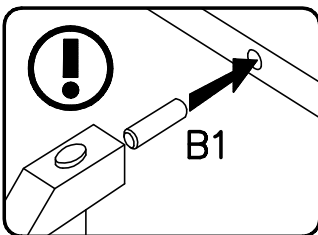
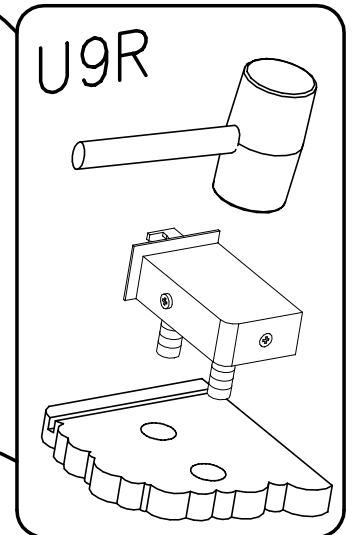
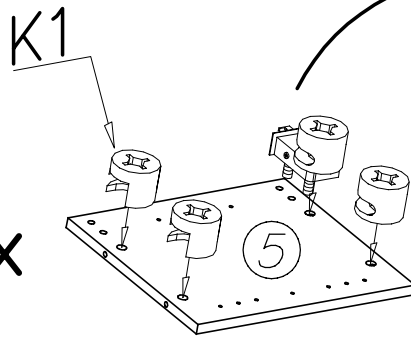
I



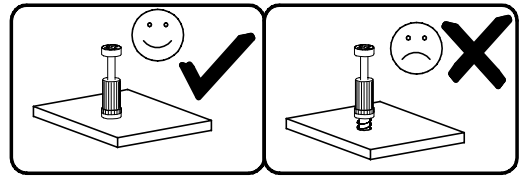
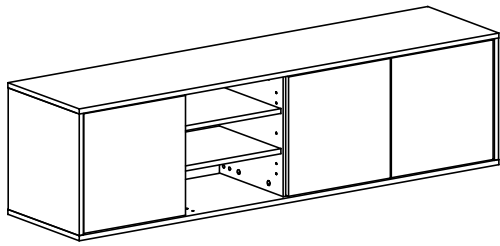
1x



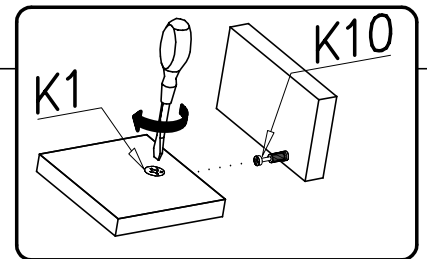
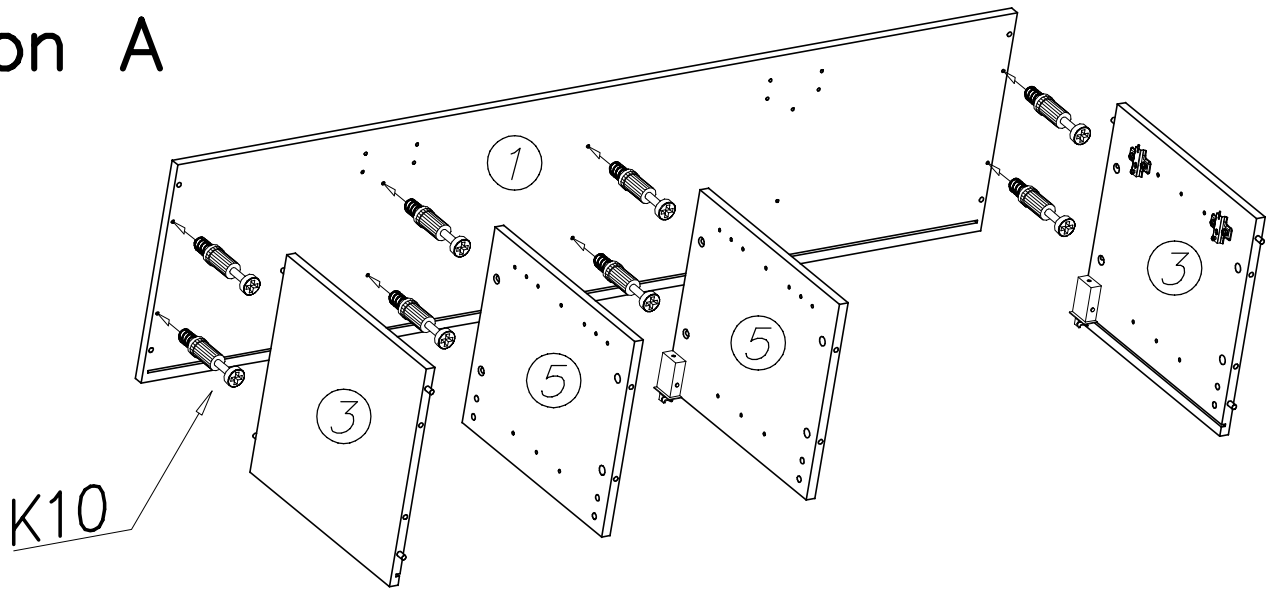
1x



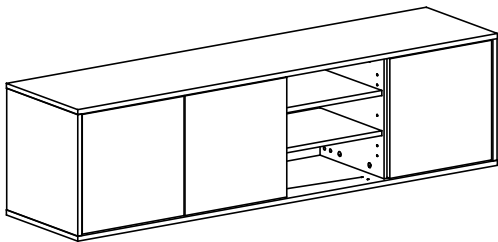
II



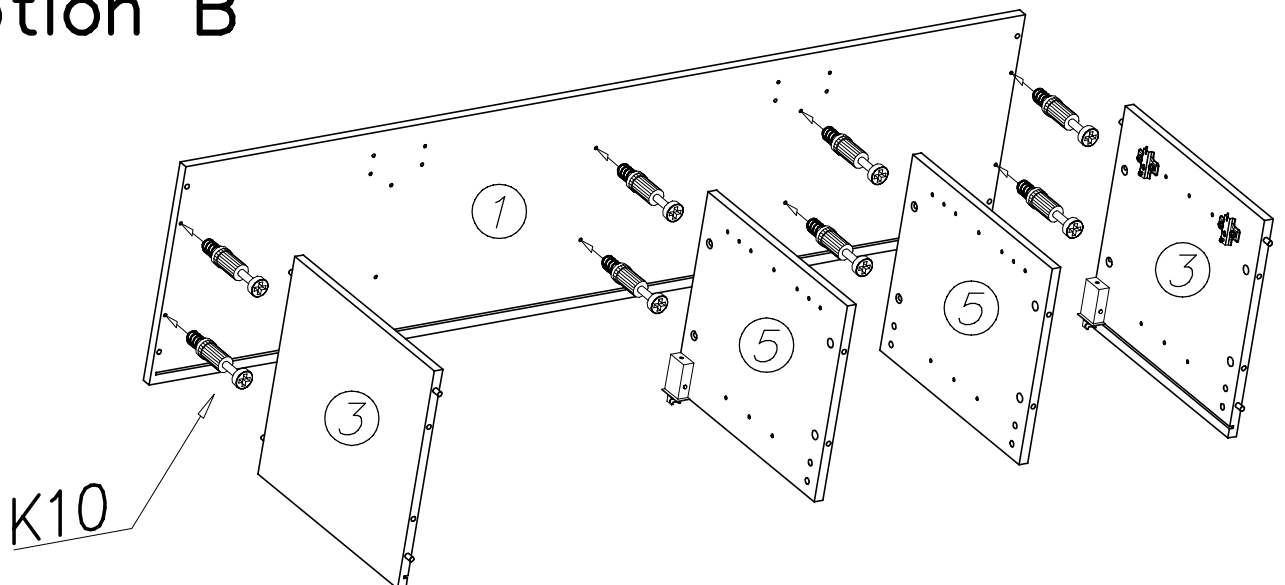
Option A



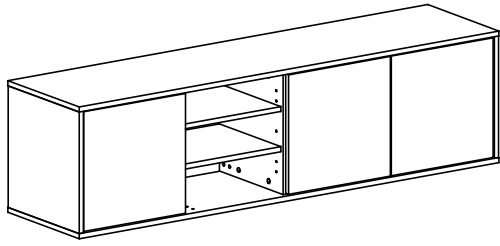
II



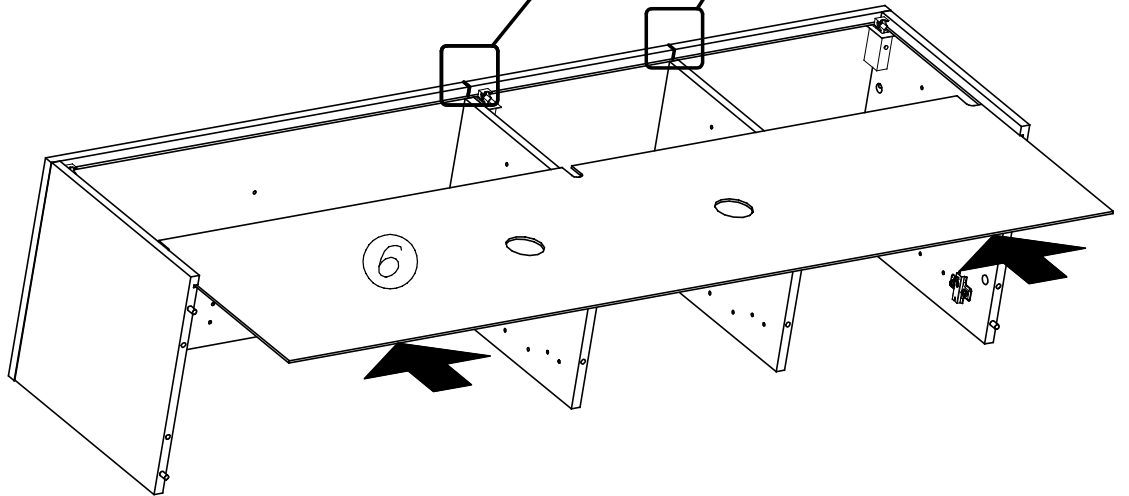
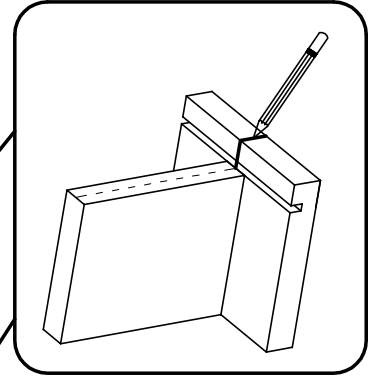
Option B



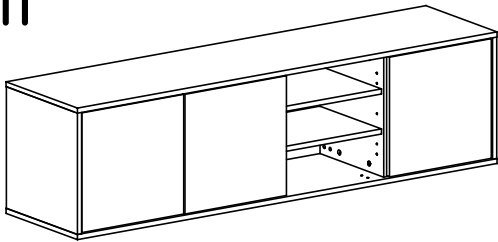
III



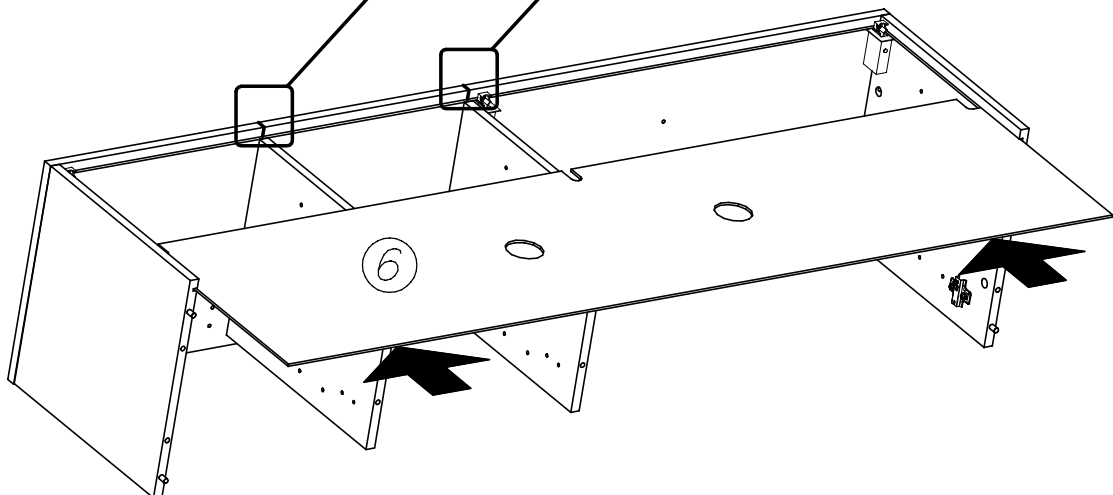
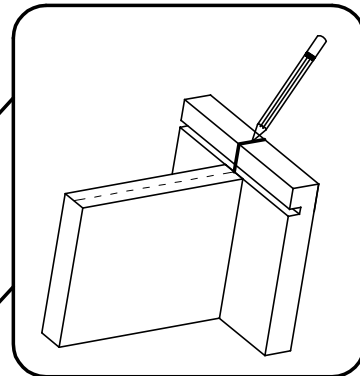
Option A



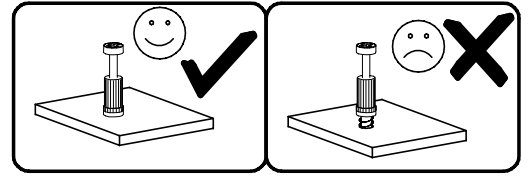
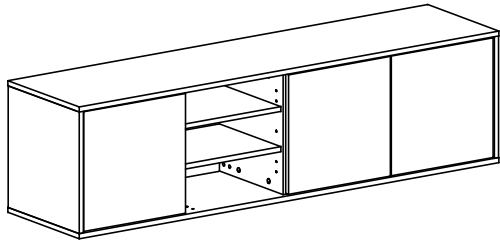
III



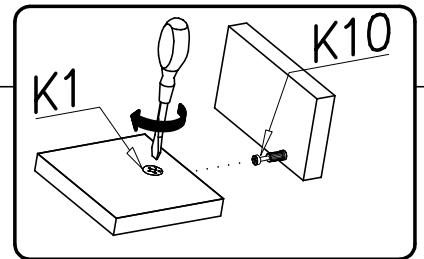
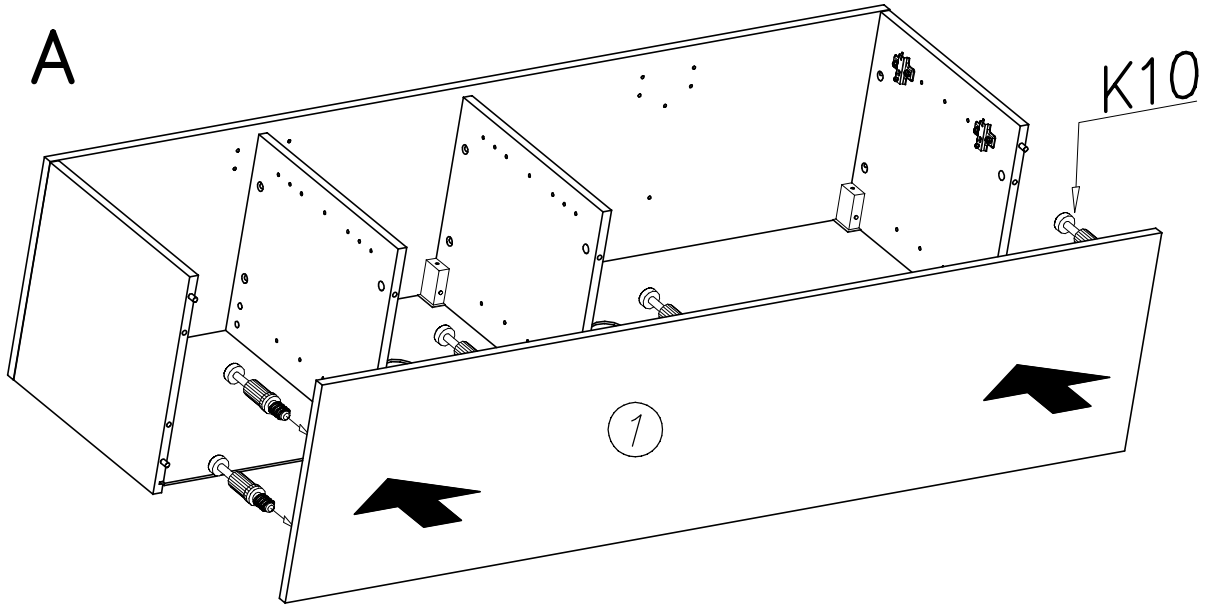
Option B



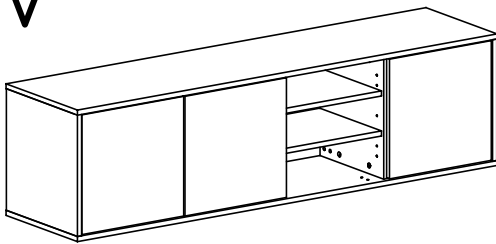
IV



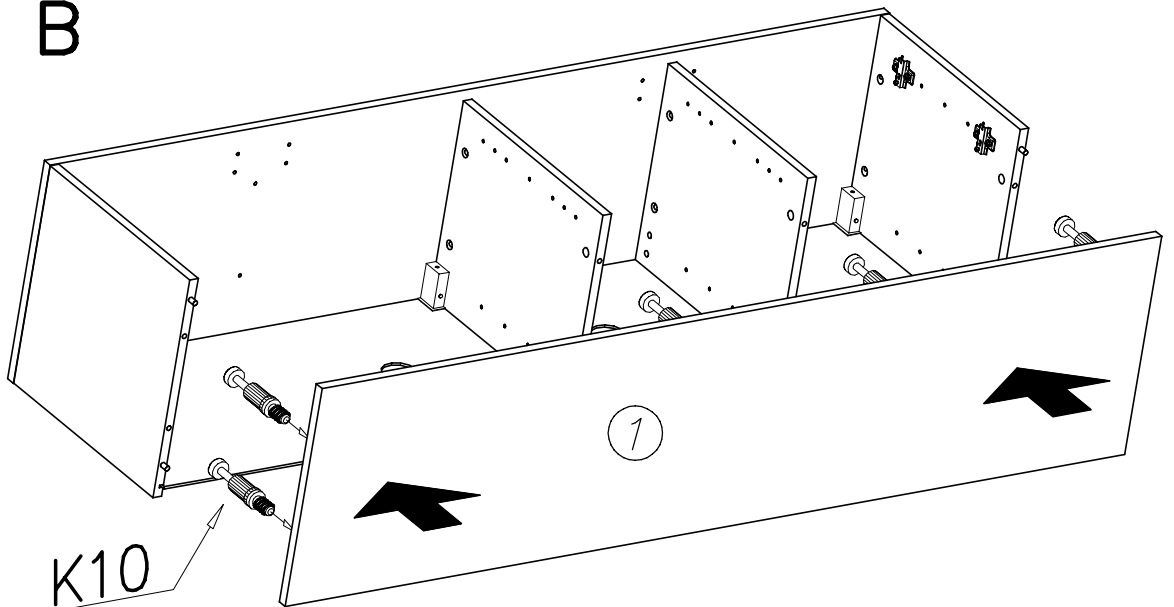
Option A



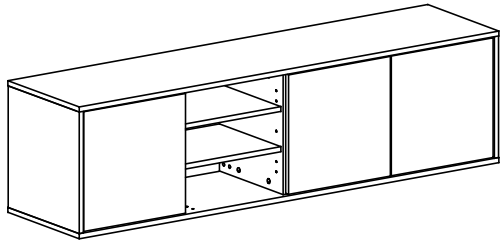
IV



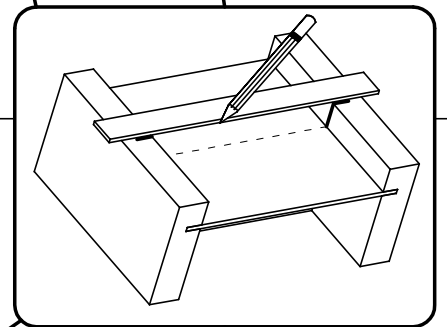
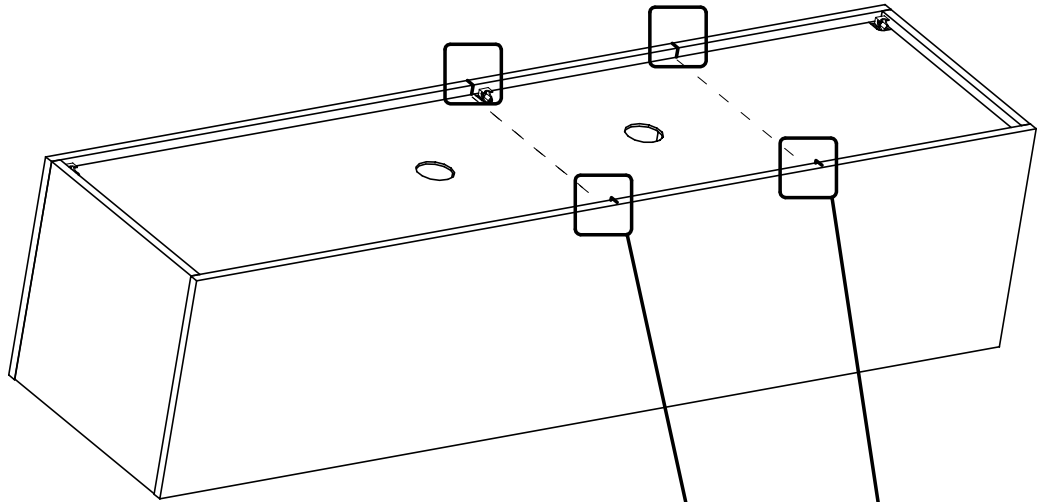
Option B



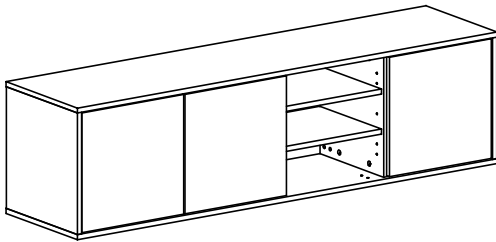
V



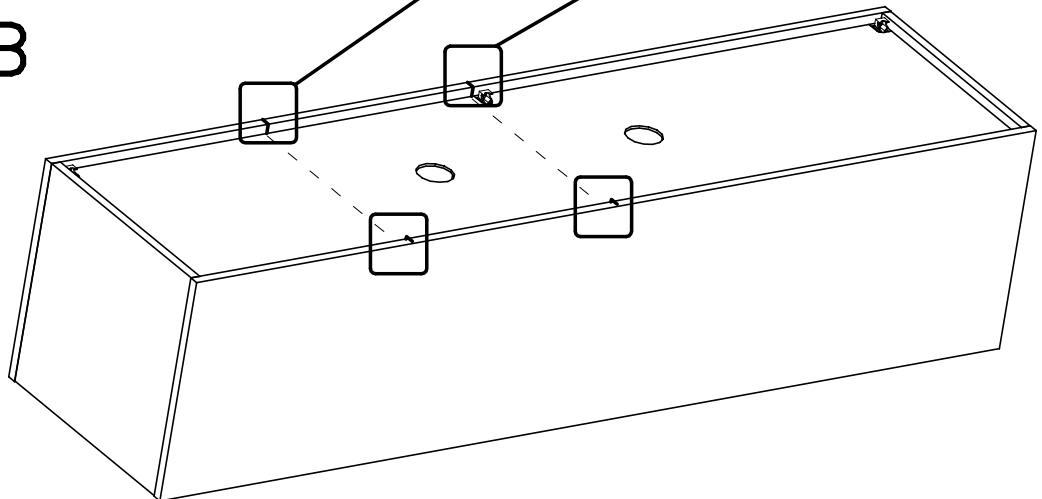
Option A



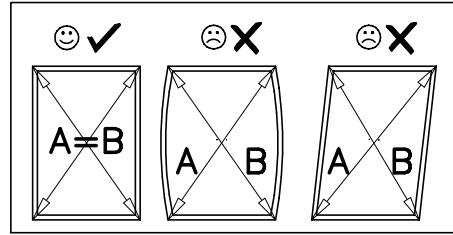
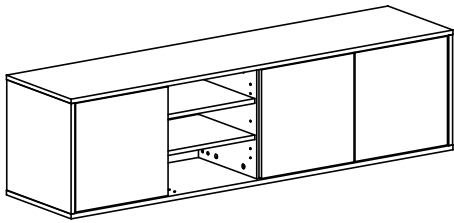
V



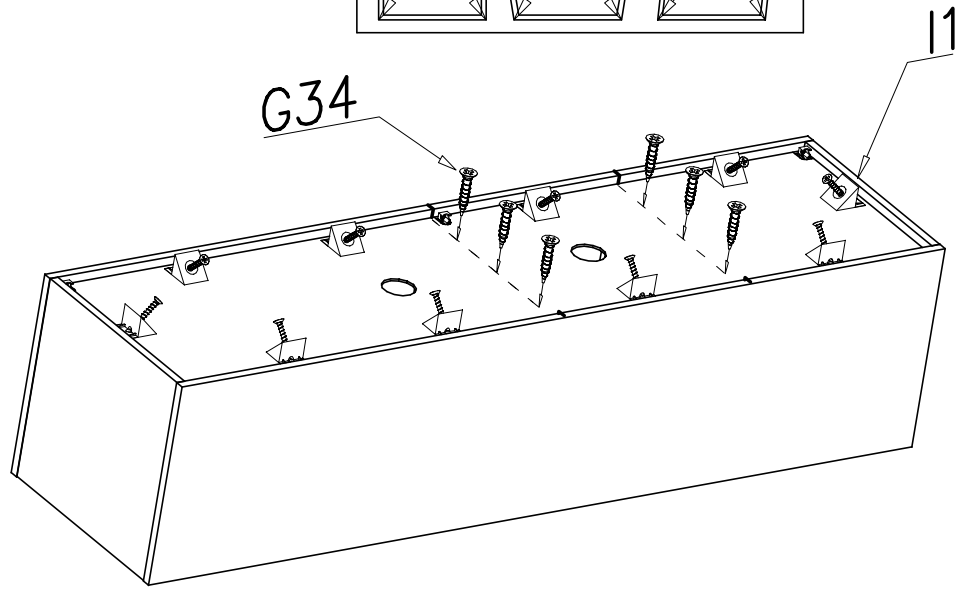
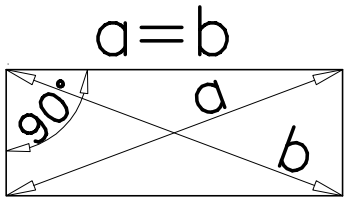
Option B



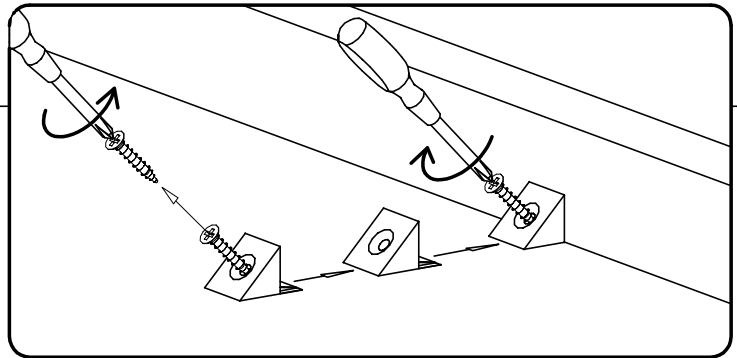
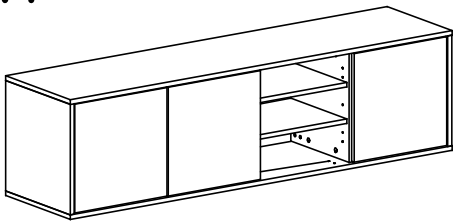
VI



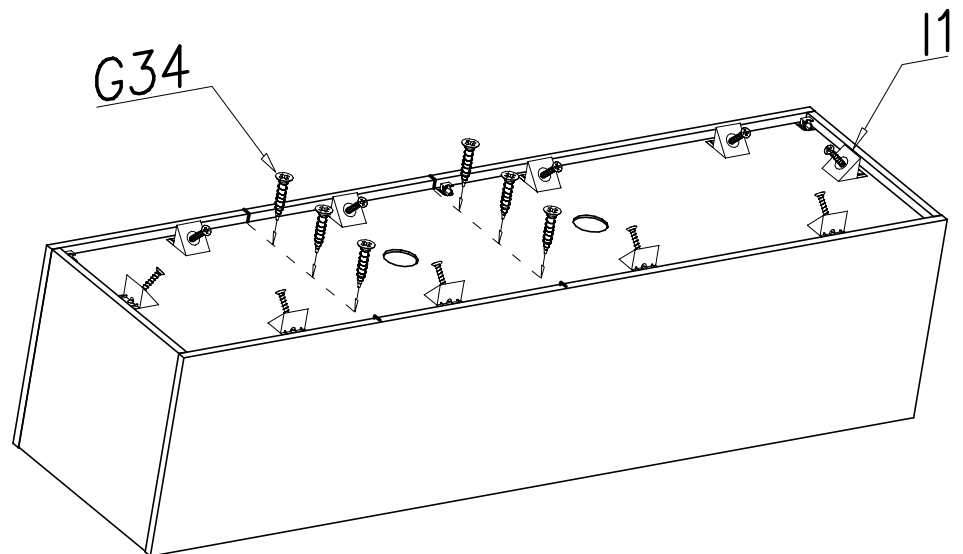
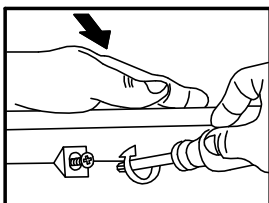
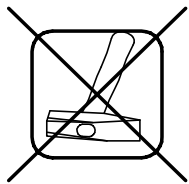
Option A



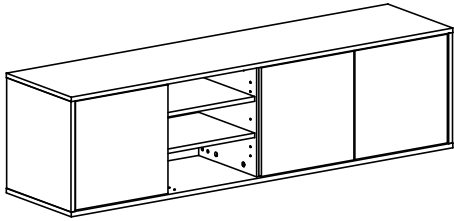
VI



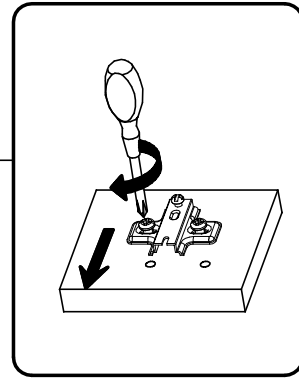
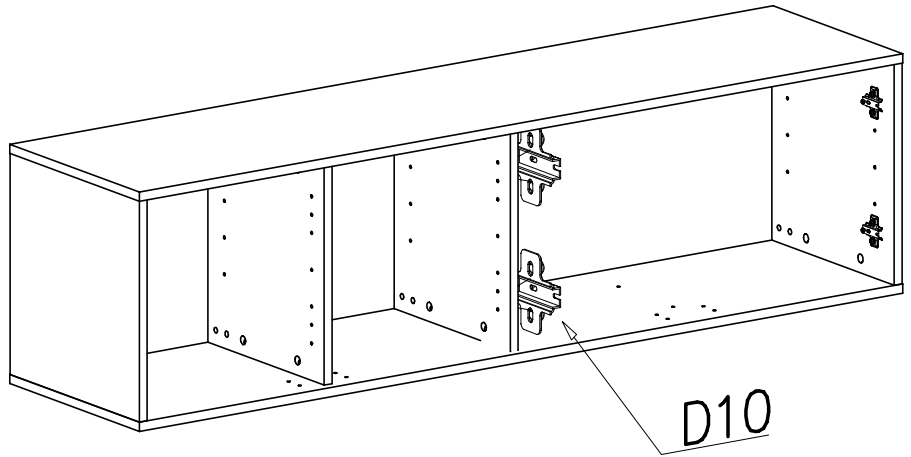
Option B



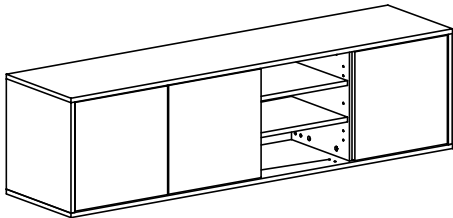
VII



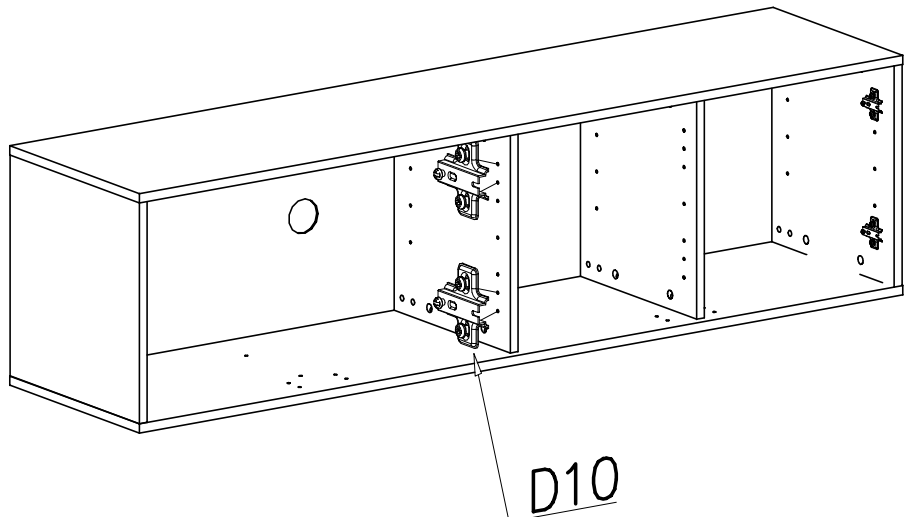
Option A



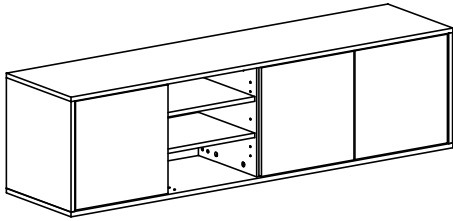
VII



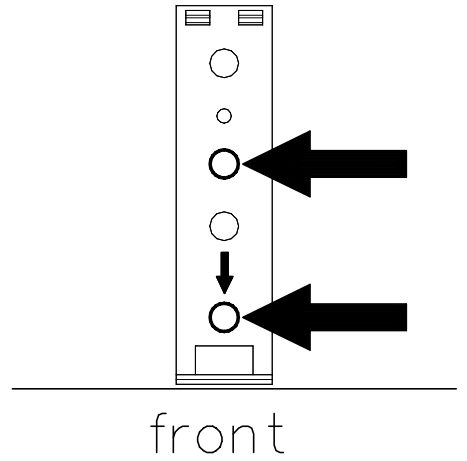
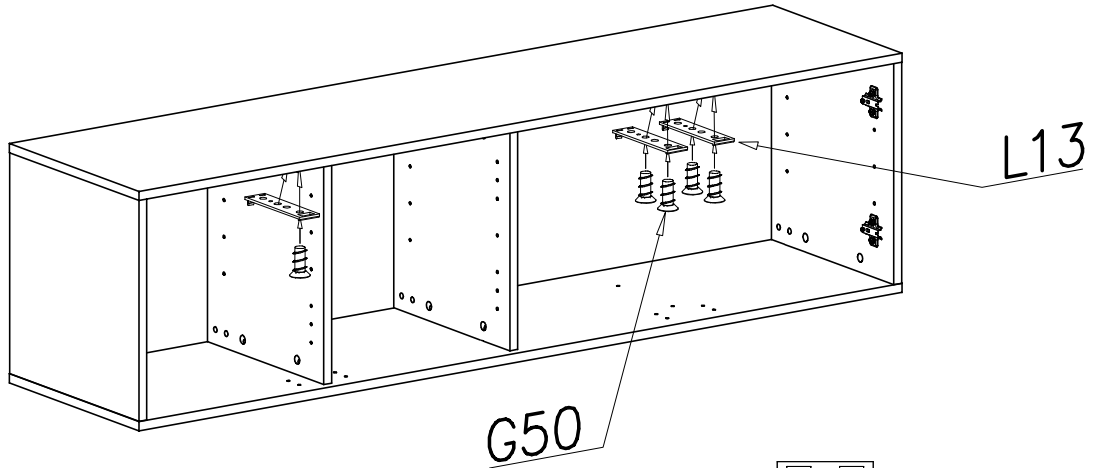
Option B



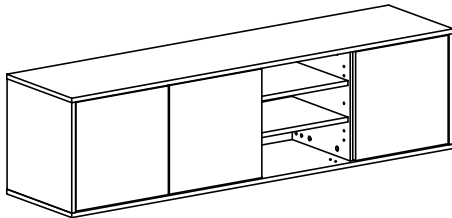
VIII



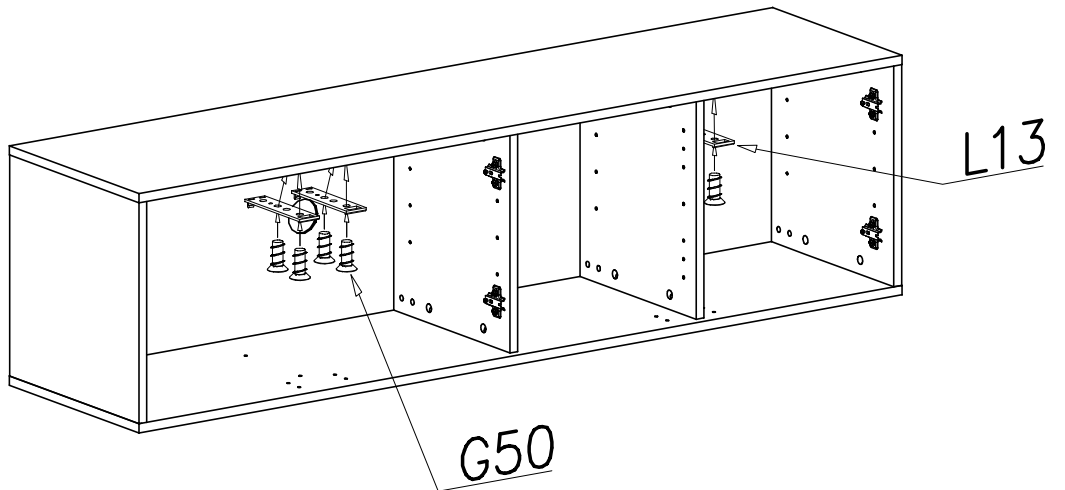
Option A



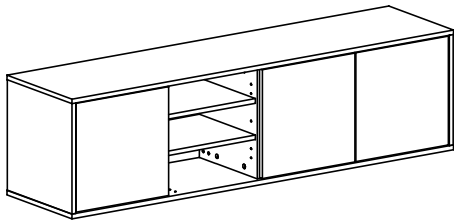
VIII



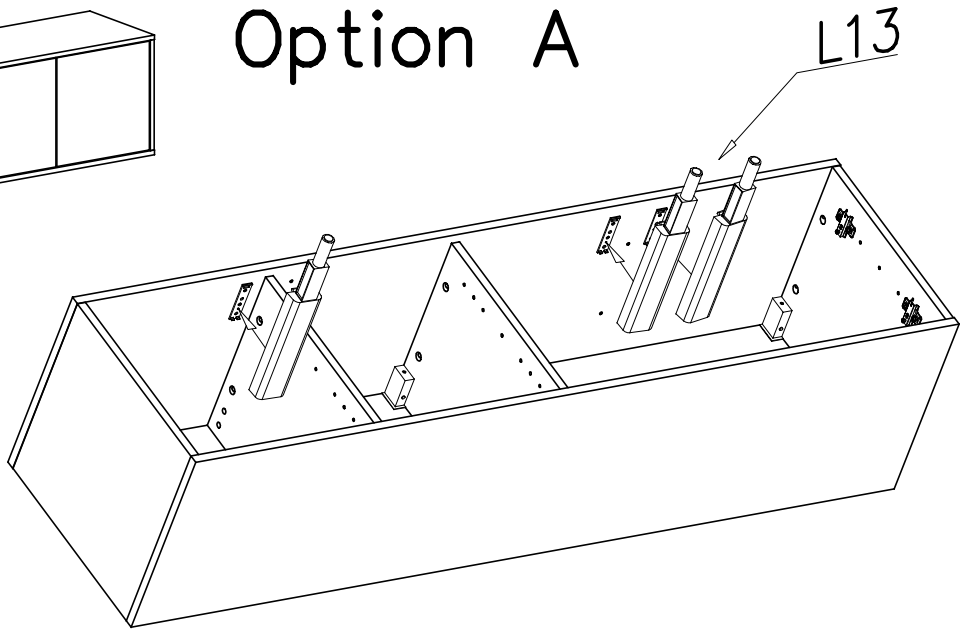
Option B



IX

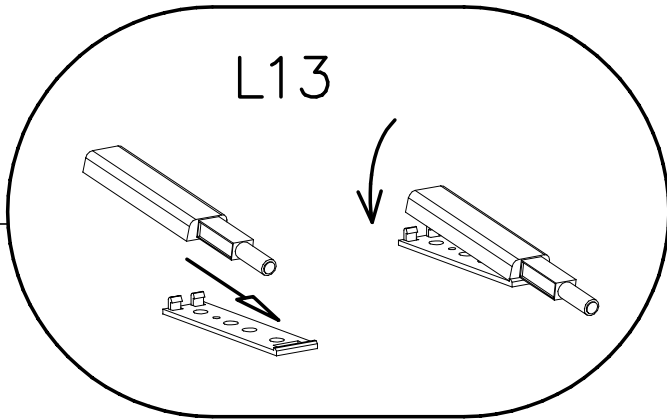


Option A

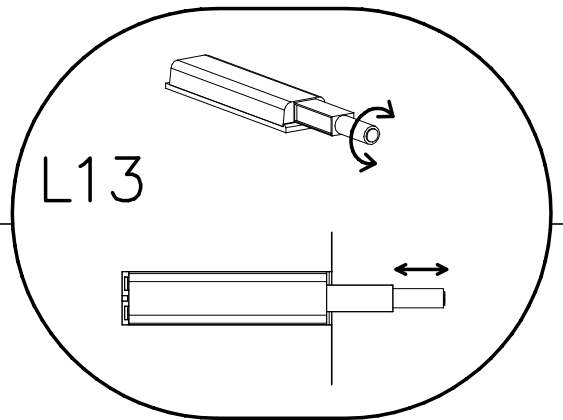


L13

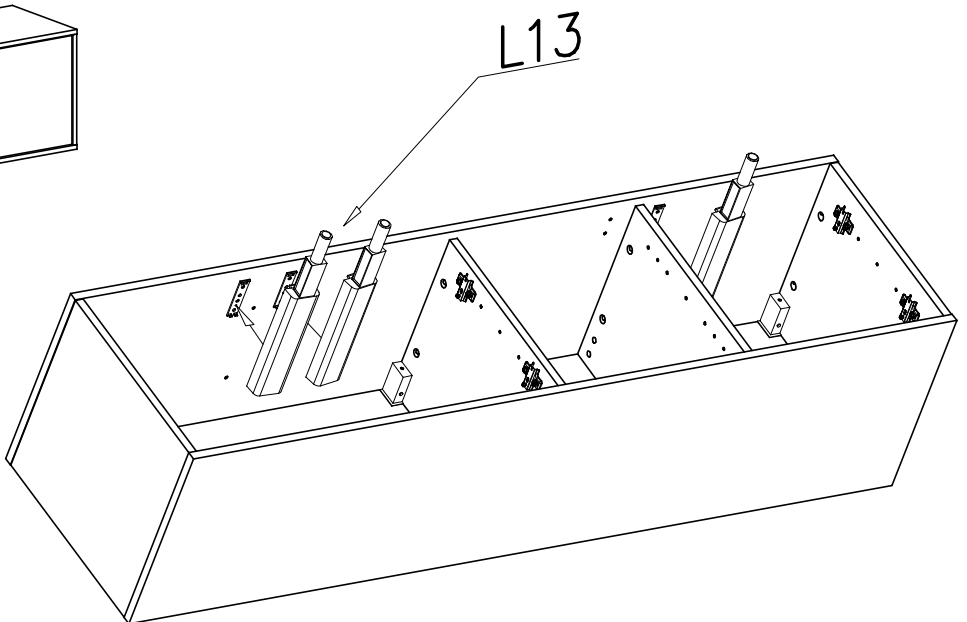
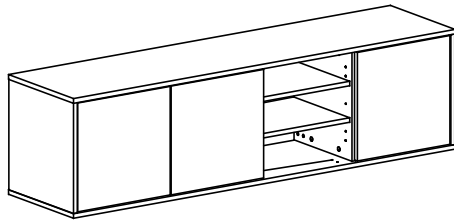
IX



L13



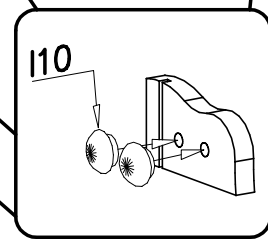
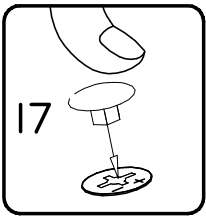
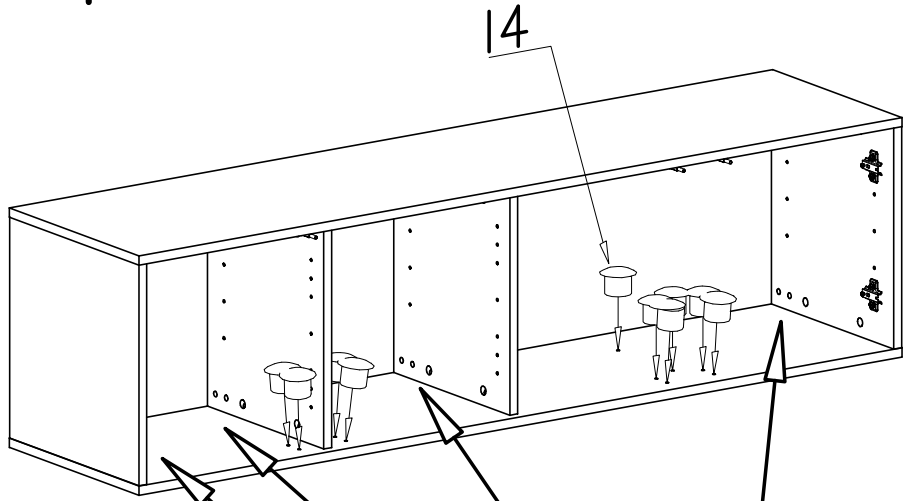
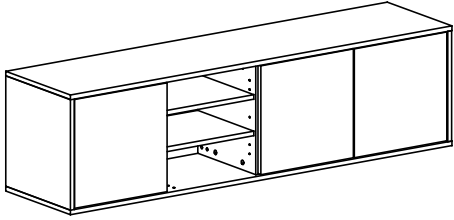
L13



L13

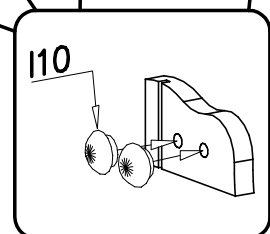
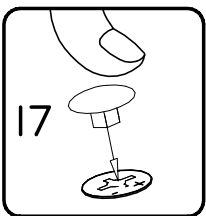
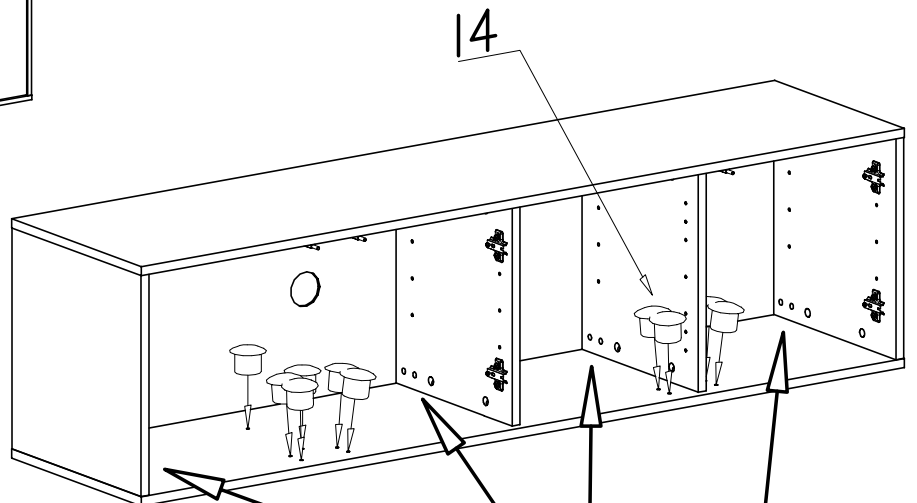
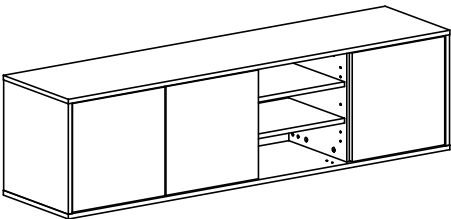
X

Option A

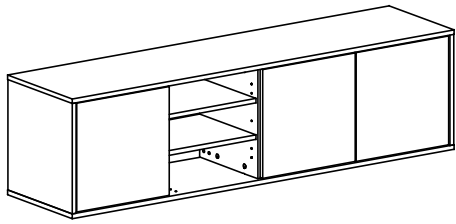


X

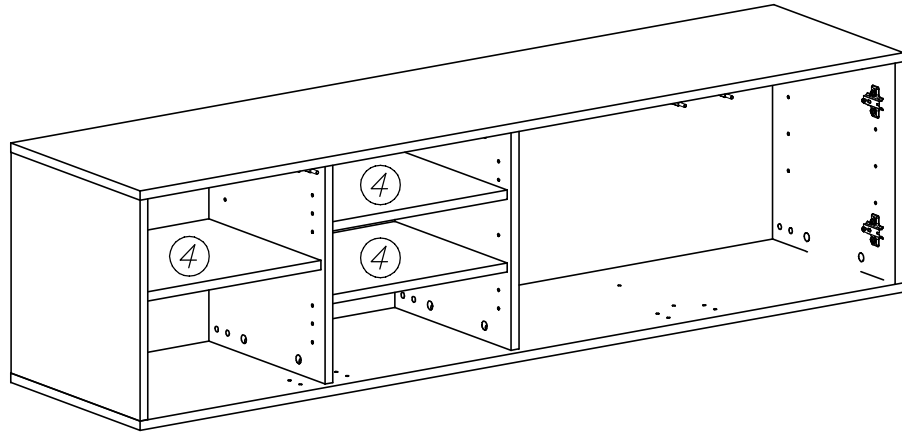
Option B



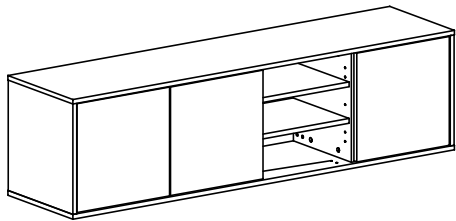
XI



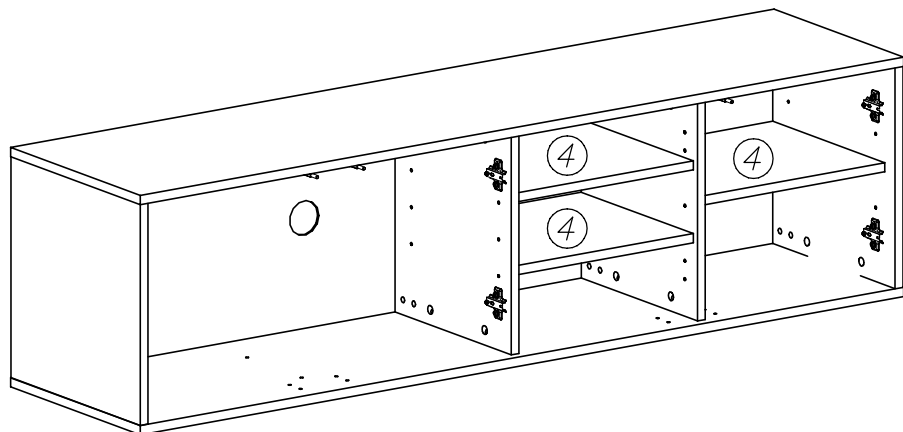
Option A



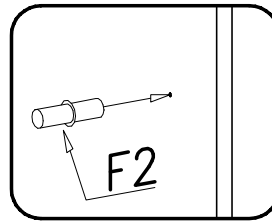
XI



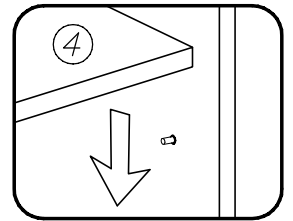
Option B



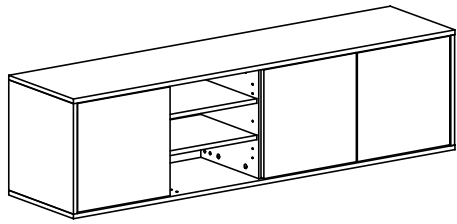
1



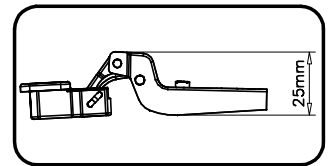
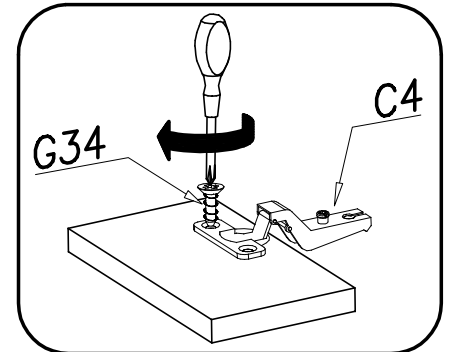
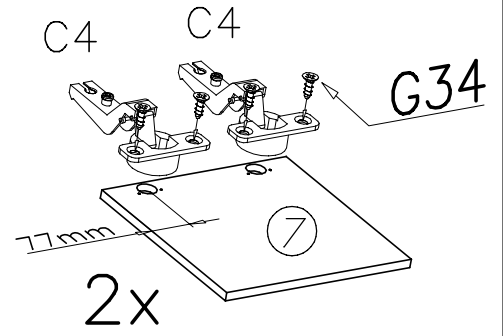
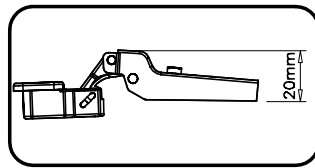
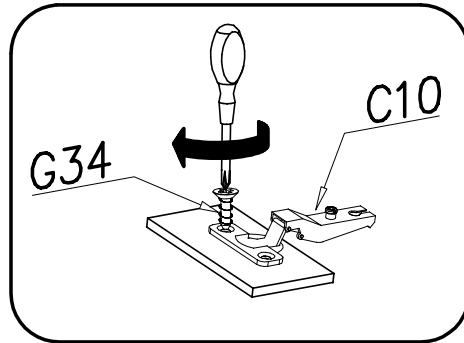
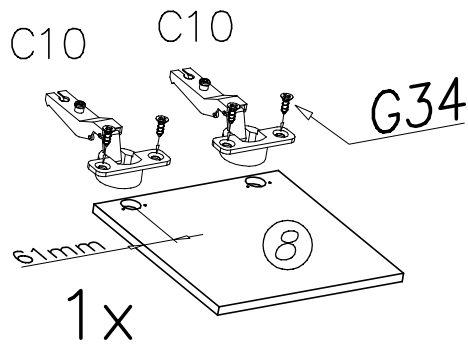
2



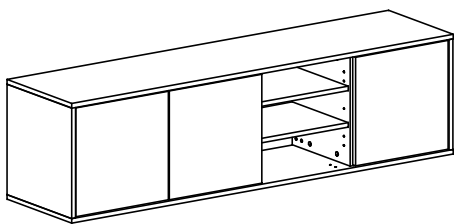
XII



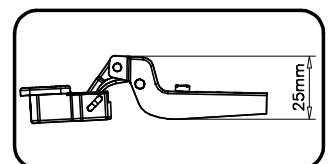
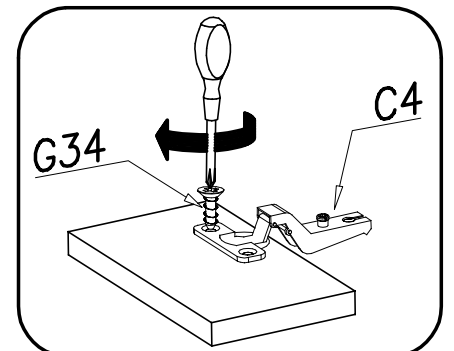
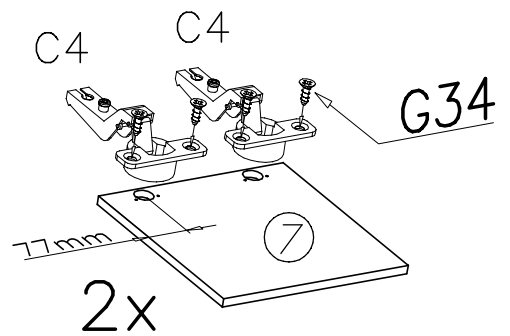
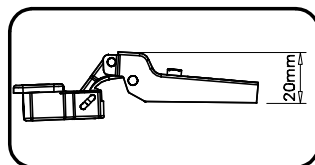
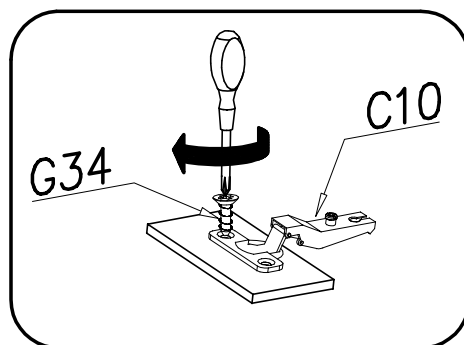
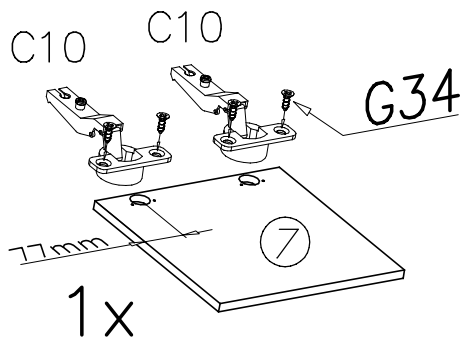
Option A



XII

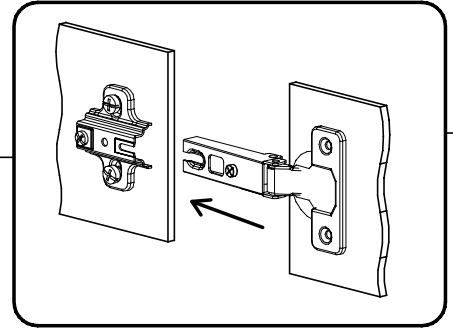
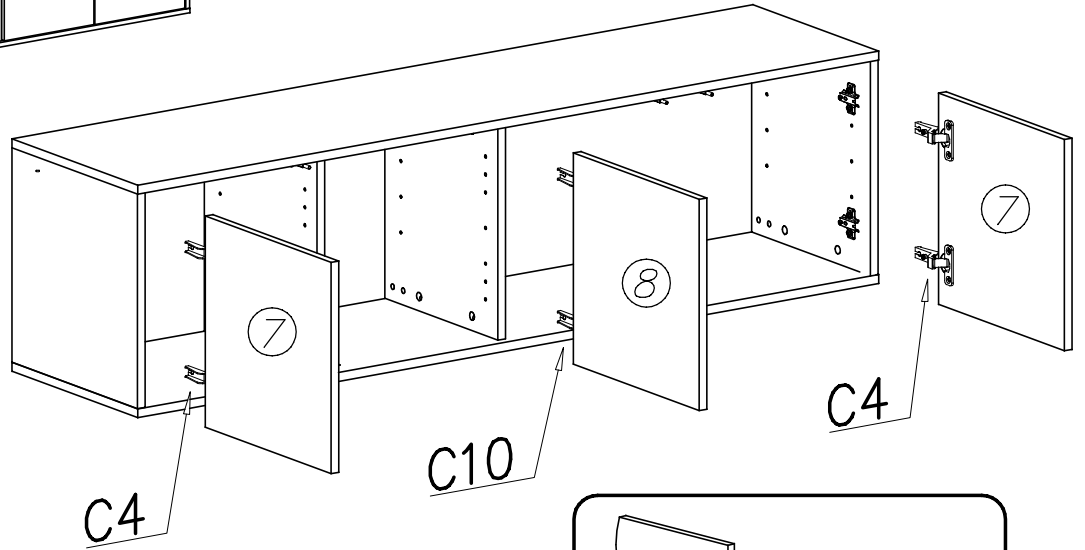
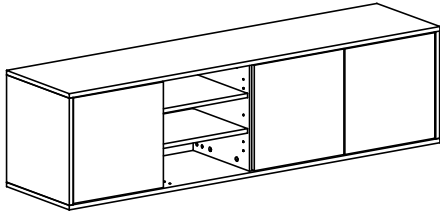


Option B

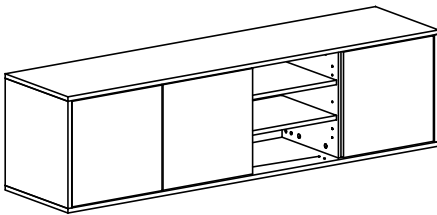


XIII

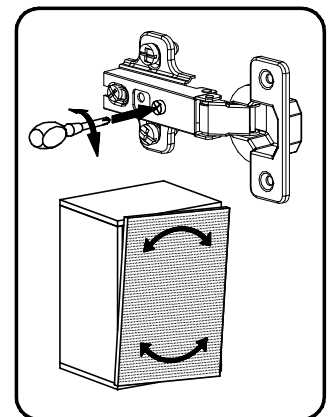
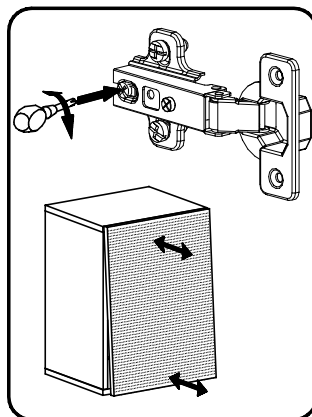
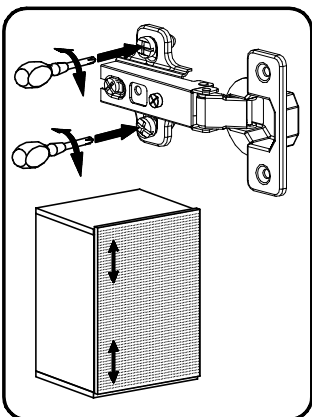
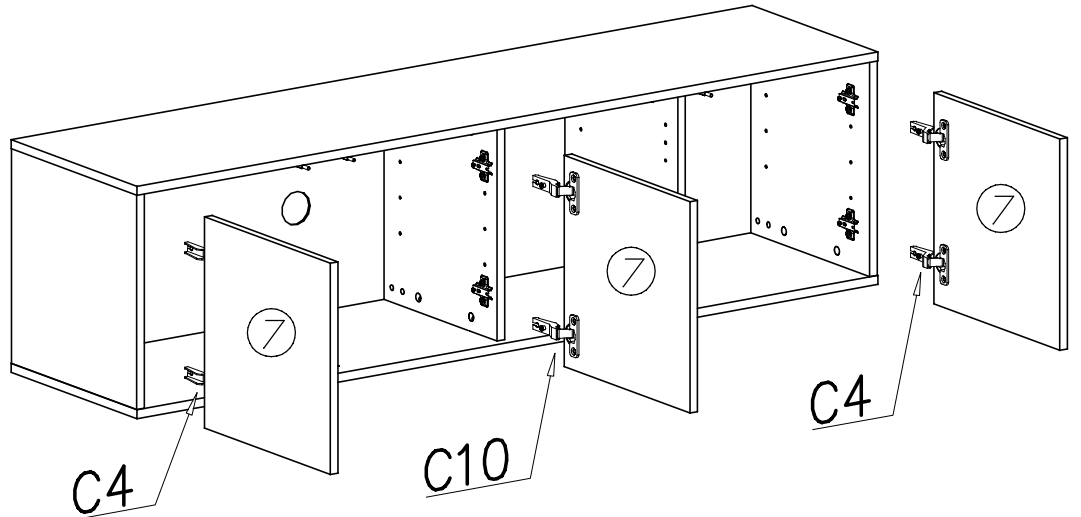
Option A



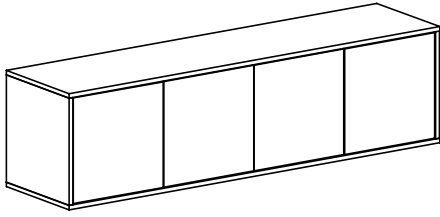
XIII



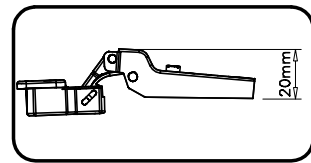
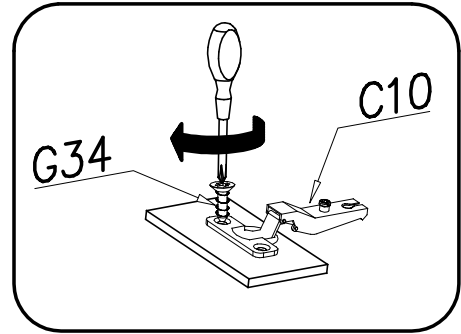
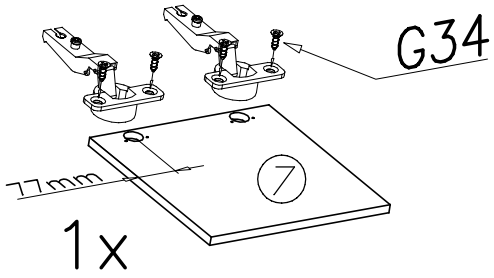
Option B



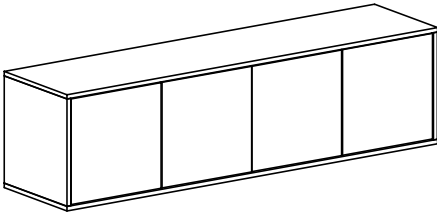
XIV



Option C



XV



Option C

