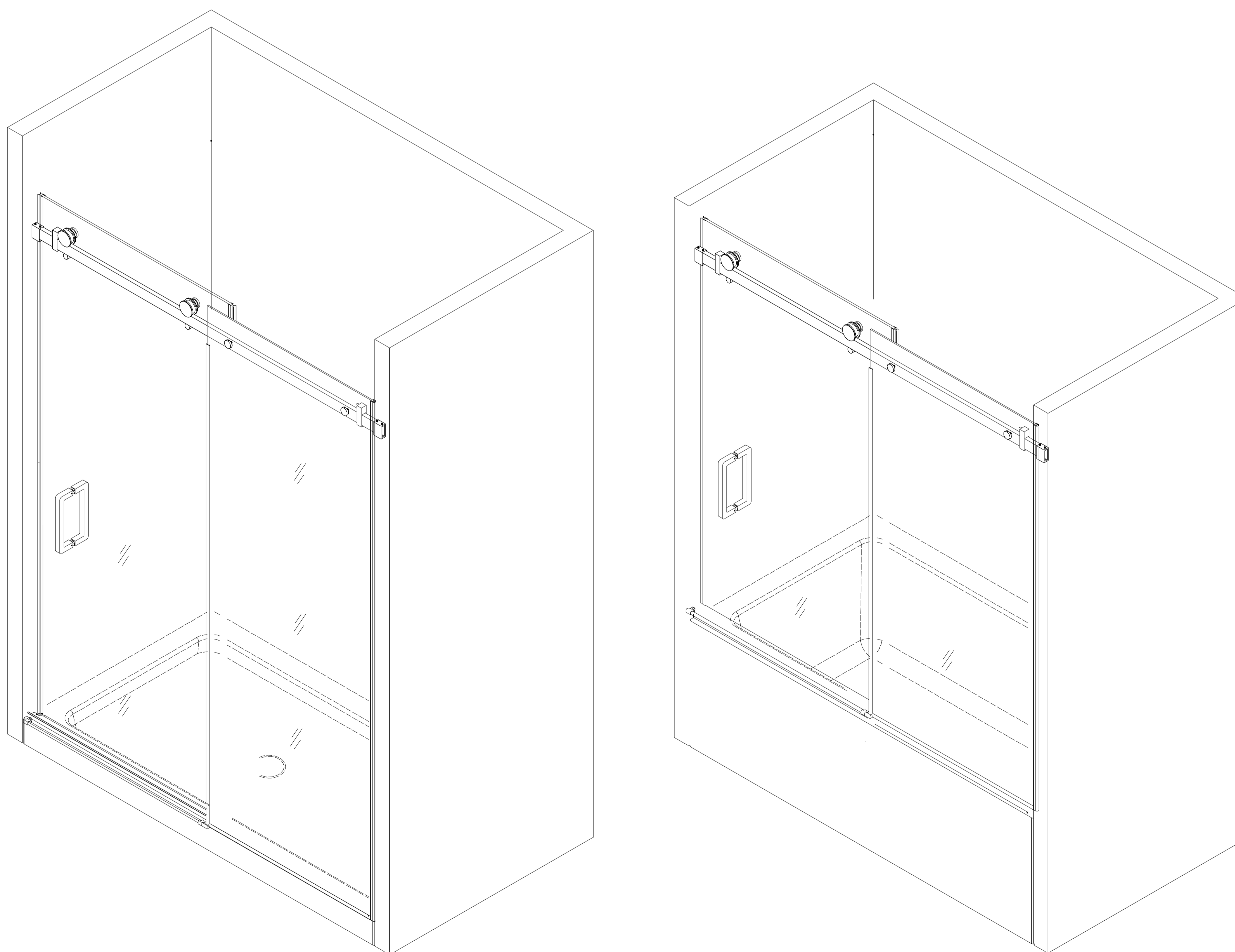


Shower Door
5/16" glass (8mm)
1/4" glass (6mm)

Y566076/J566076/H566076 INSTALLATION GUIDE

CAUTION:

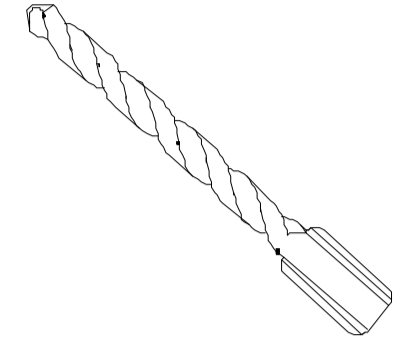
To reduce the risk of breakage, keep corner protectors on glass while installing. Keep corner protectors for use in case future adjustments are needed.



Caution:
Report glass breakage upon delivery!
Free replacement guaranteed.

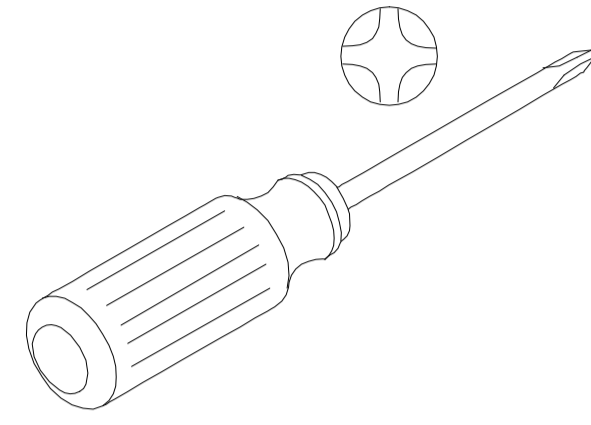
TOOLS REQUIRED

Drill Bits

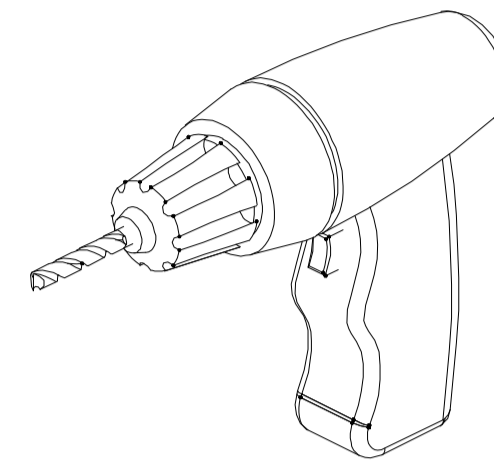


Ø1/4" (6mm) & Ø1/8" (3mm) dia.
HSS

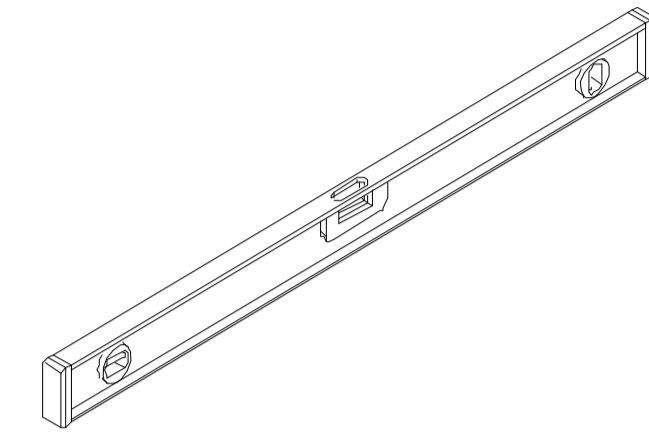
Screw Driver



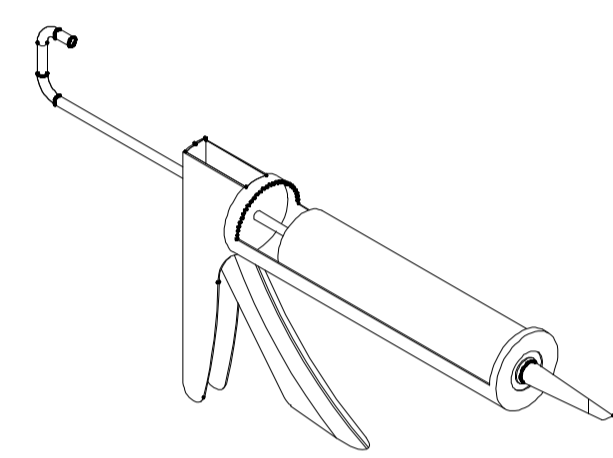
Drill



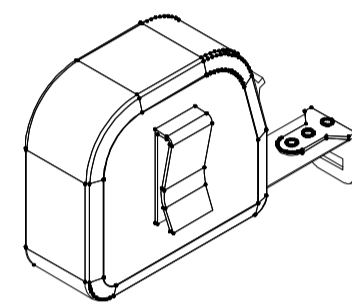
Level



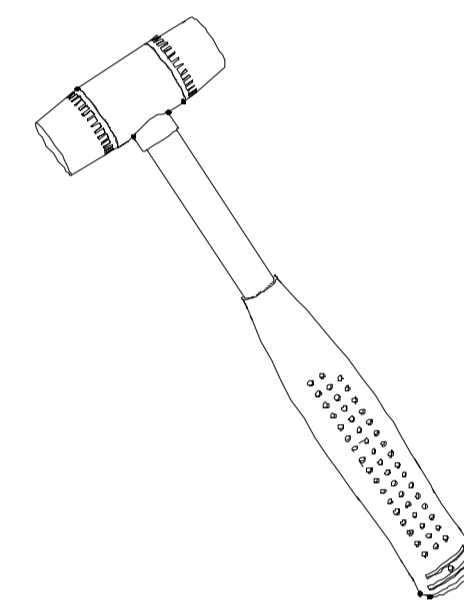
Silicone



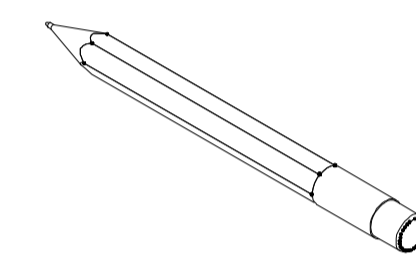
Measuring Tape



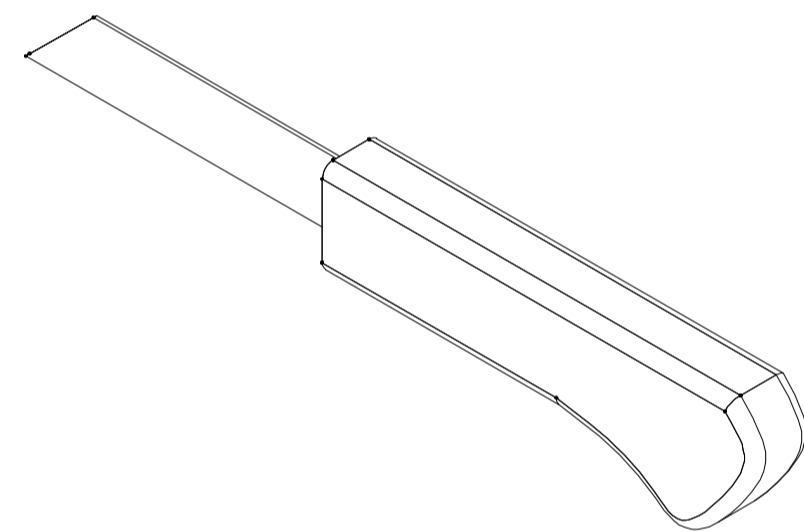
Soft Head Hammer



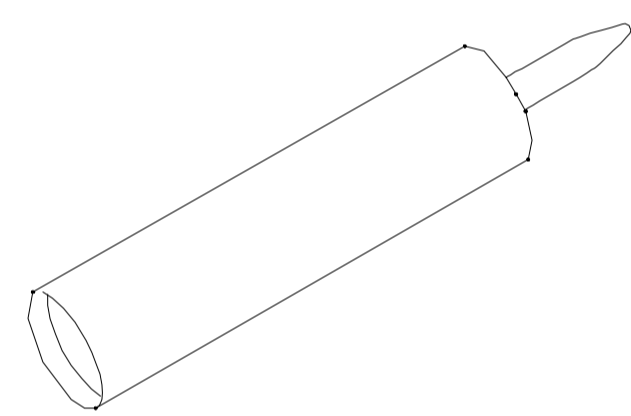
Pencil



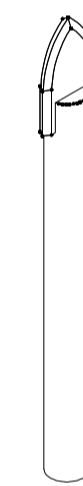
Knife



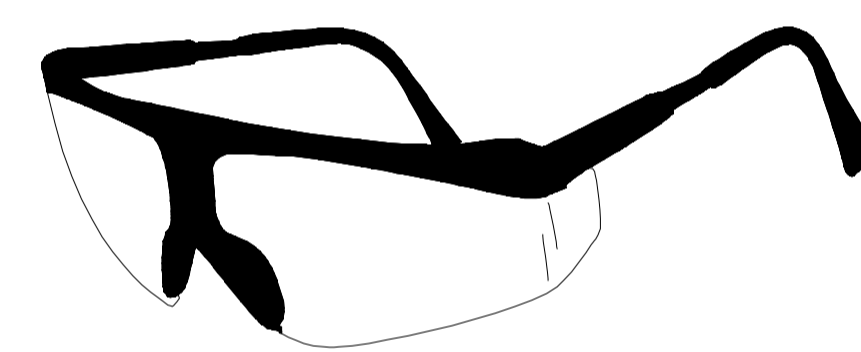
Sealant



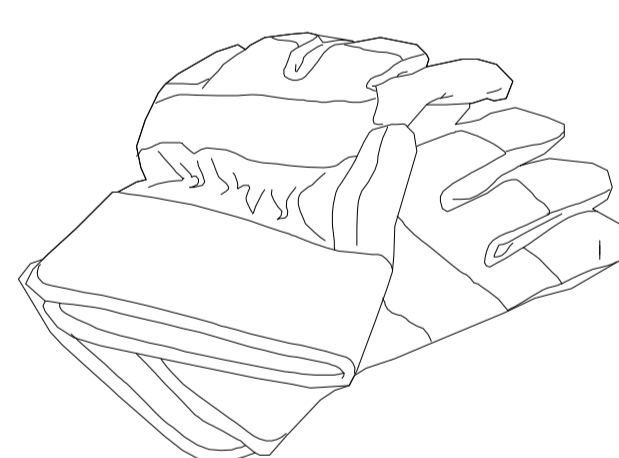
MASONRY DRILL BIT FOR TILE Ø6mm



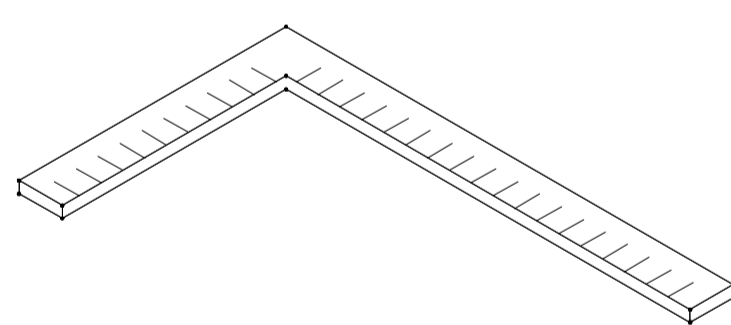
Safety Glasses



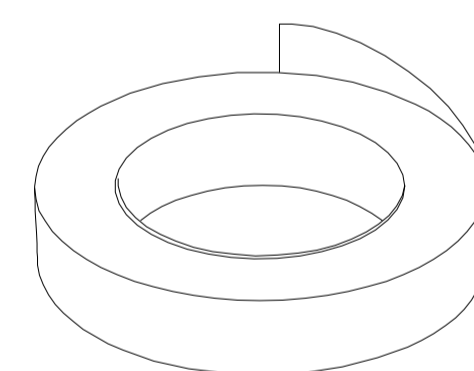
Glove



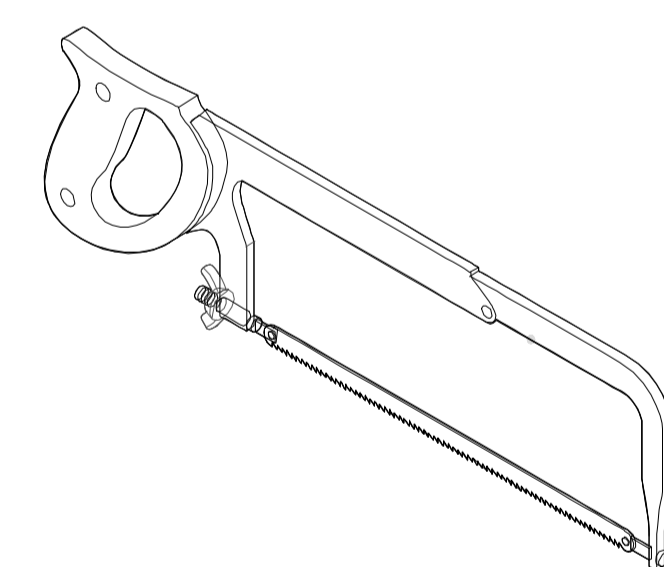
Carpenter's Squarer



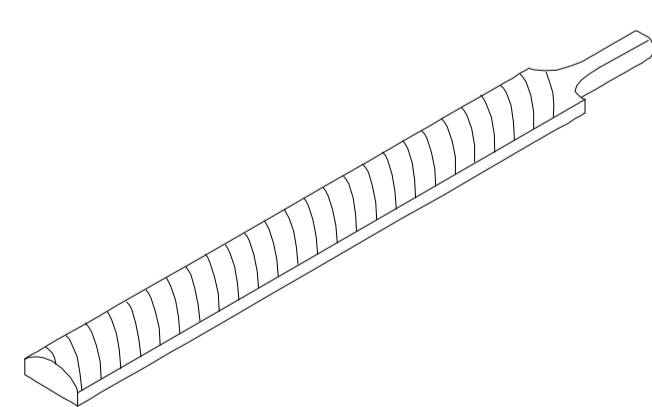
Masking or painter's tape



Hack Saw



Metal File



CAUTION: When cutting or drilling metal components or when handling glass, to reduce the risk of personal injury, protective eye wear, gloves, and closed-toe shoes are required.

SAFETY INFORMATION

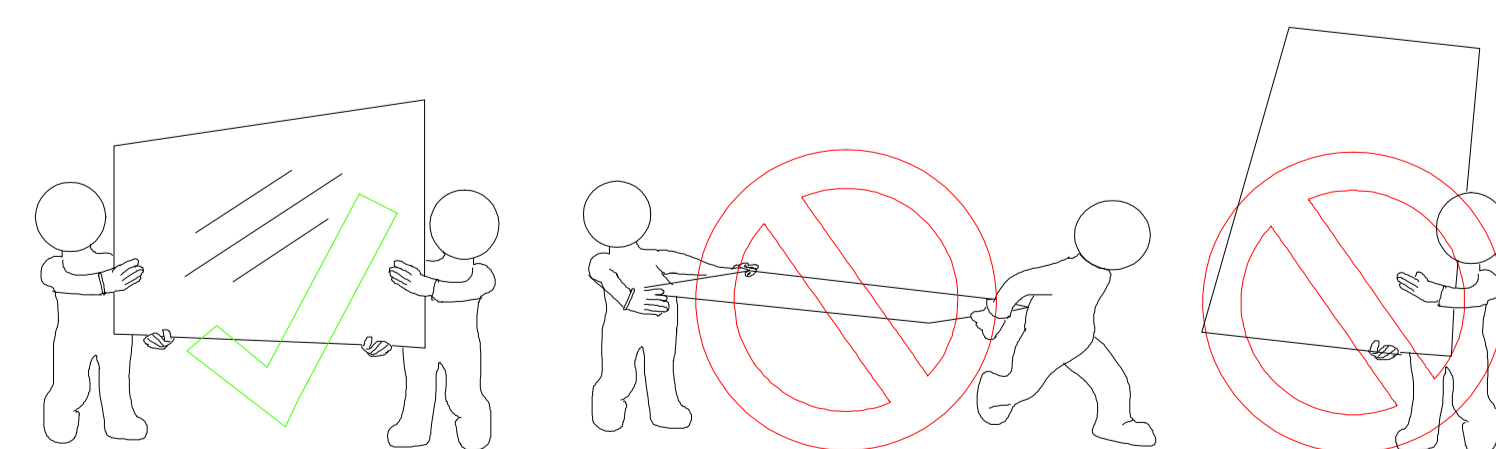
CAUTION

Please carefully read the following important safety information before handling or installing this shower **door** . There is a risk of serious injury while handling this product.

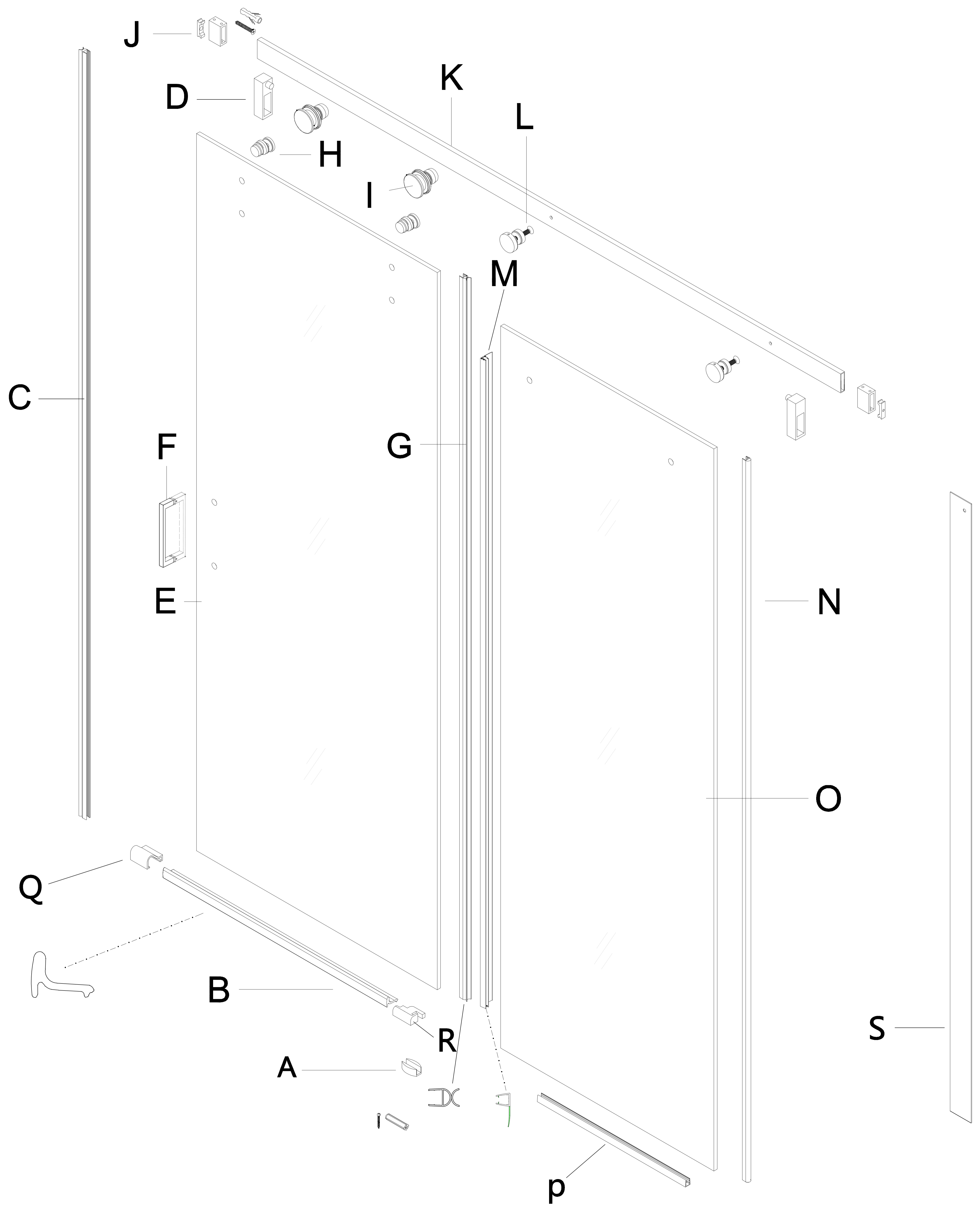
To minimize these risks, please note:

- Always wear safety glasses and gloves while handling.
- Always follow the installation instructions.
- Inspect glass for damage before installation.
- Extreme caution should be taken while handling the glass during installation as the tempered glass may shatter if in contact with a hard surface.
- Do not cut or modify the tempered glass as it will shatter if cut.
- Carefully remove product from packaging and keep packaging until installation is complete.
- Inspect all parts for damage or missing; if there is damage or part missing to the unit prior to installation, please contact customer service at the number provided in this guide.
- Cover the drain with tape to prevent the loss of small parts.
- The shower base and finished walls should be installed before beginning the shower door installation.
- During the installation, protect the shower floor with a drop cloth to avoid damage.
- This product should be installed by two people who are familiar with construction requirements. Professional installation is recommended!
- Keep this installation manual for future reference.

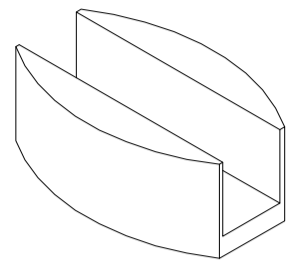
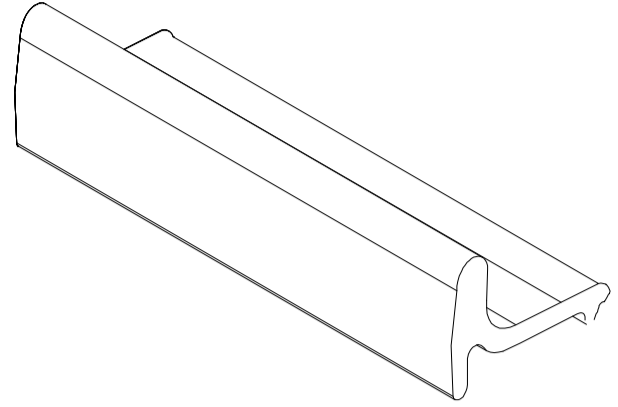
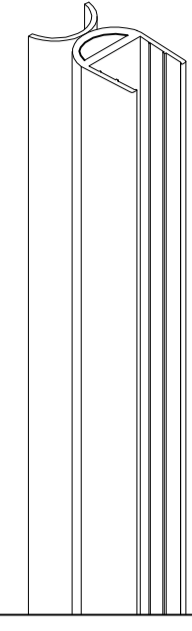
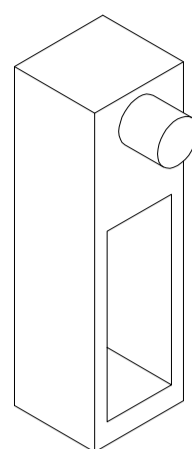
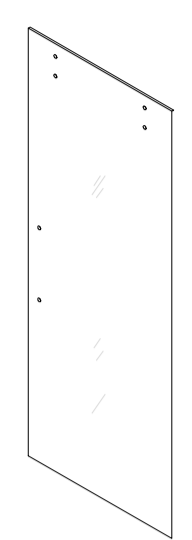
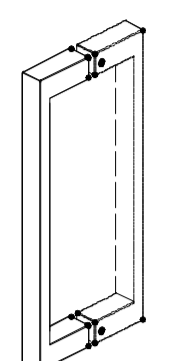
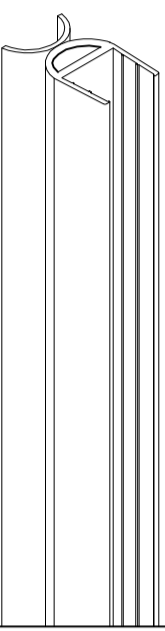
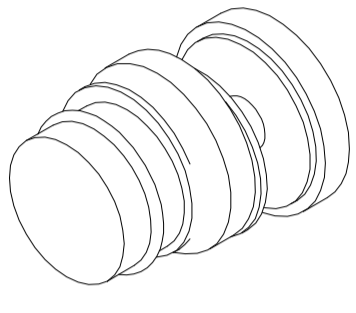
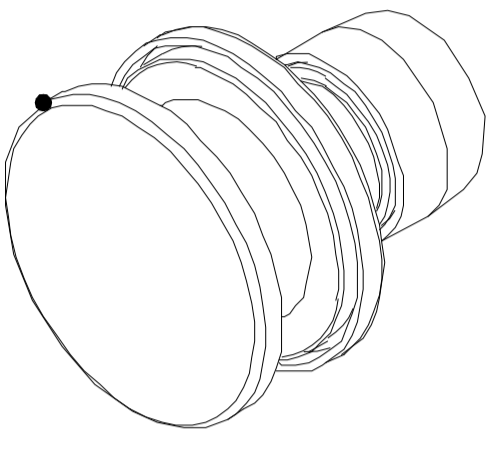
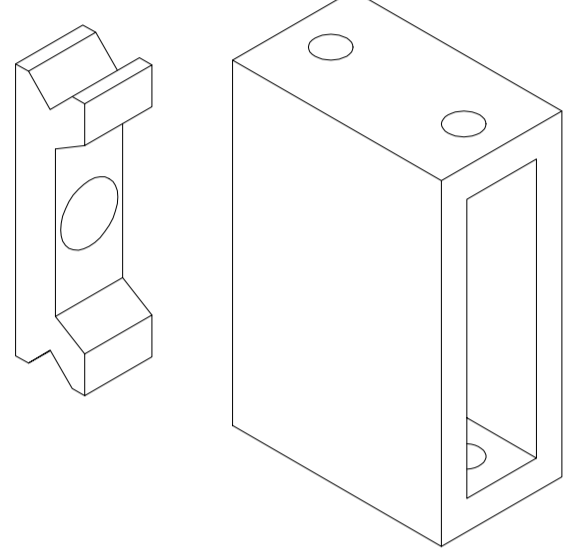
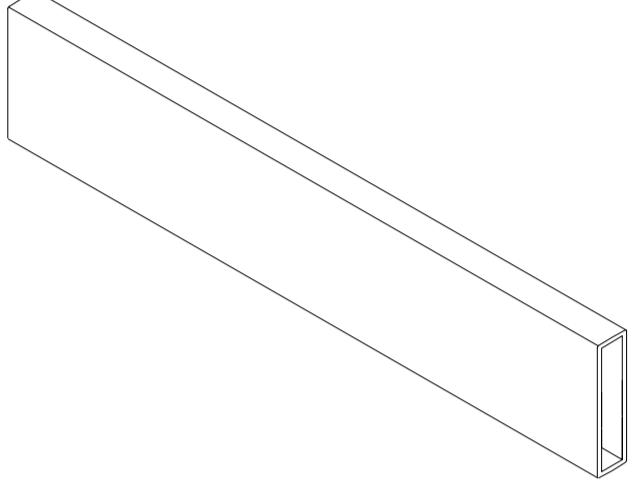
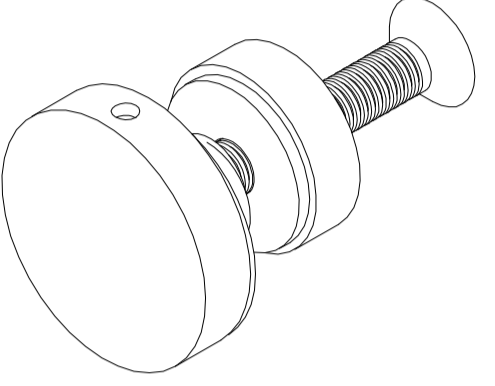
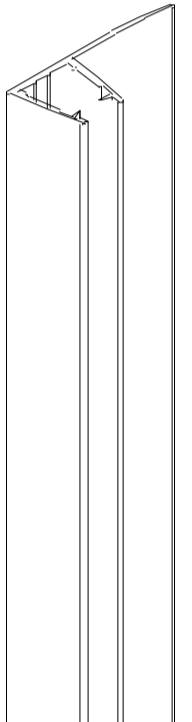
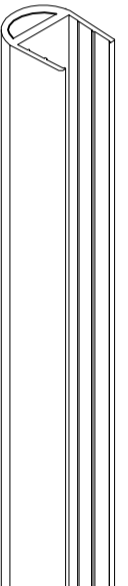
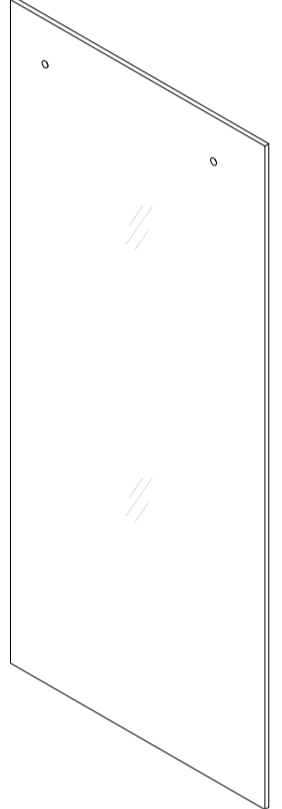
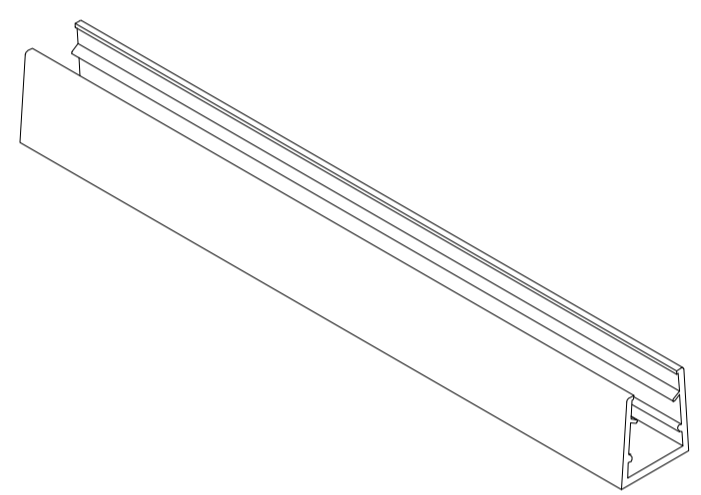
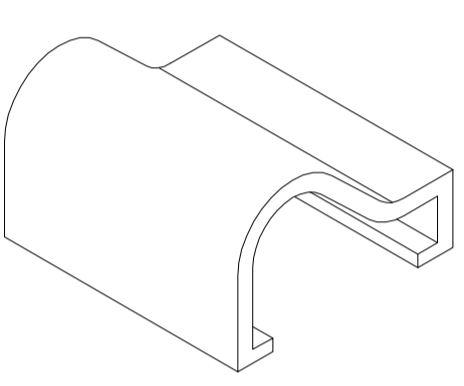
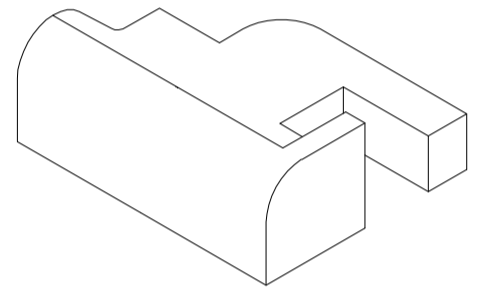
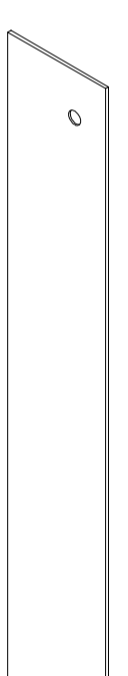

NOTE: Two people should perform this installation.



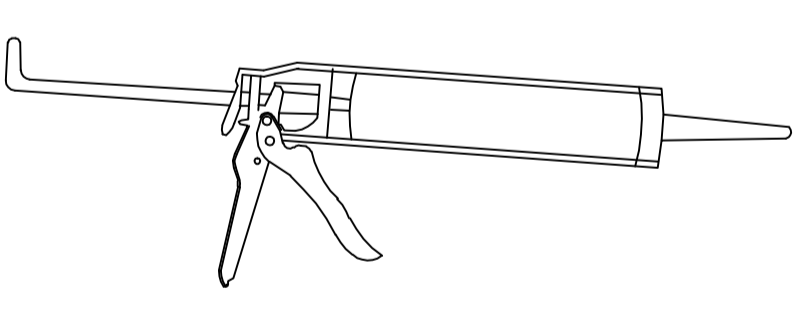
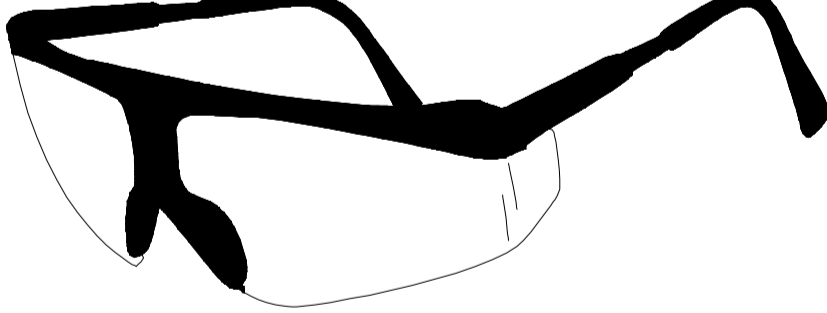
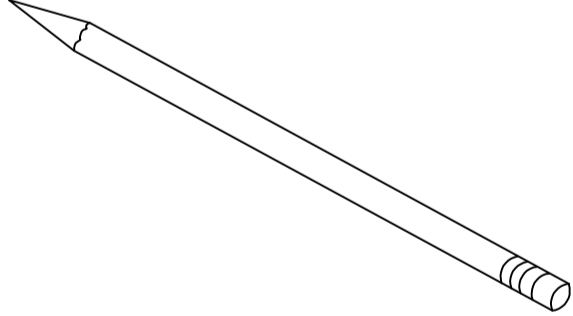
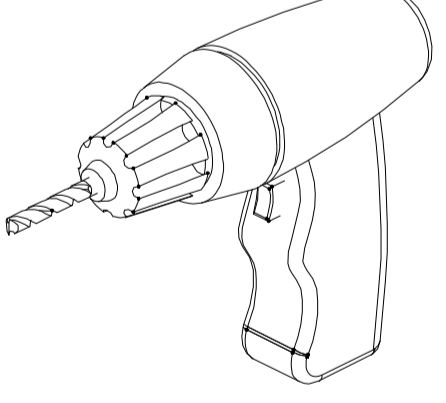
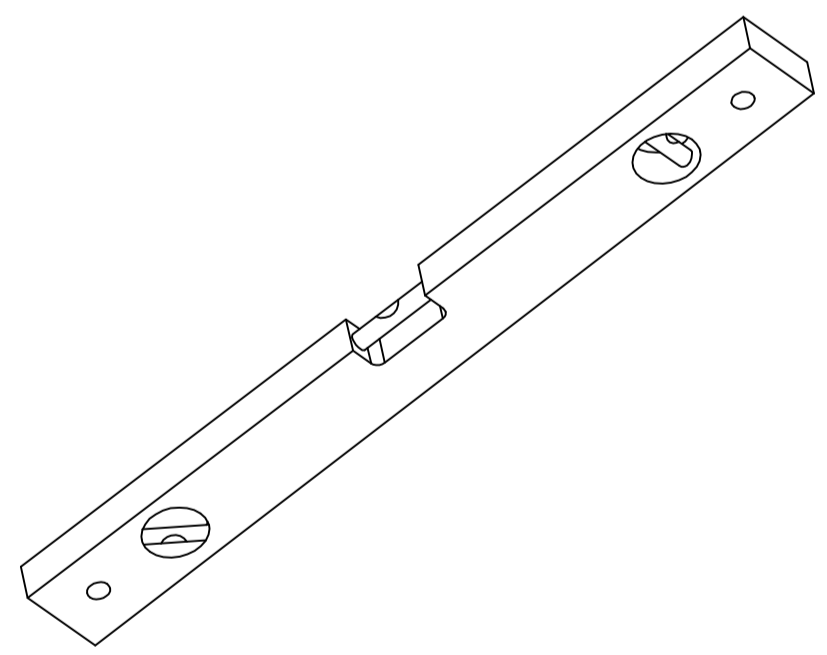
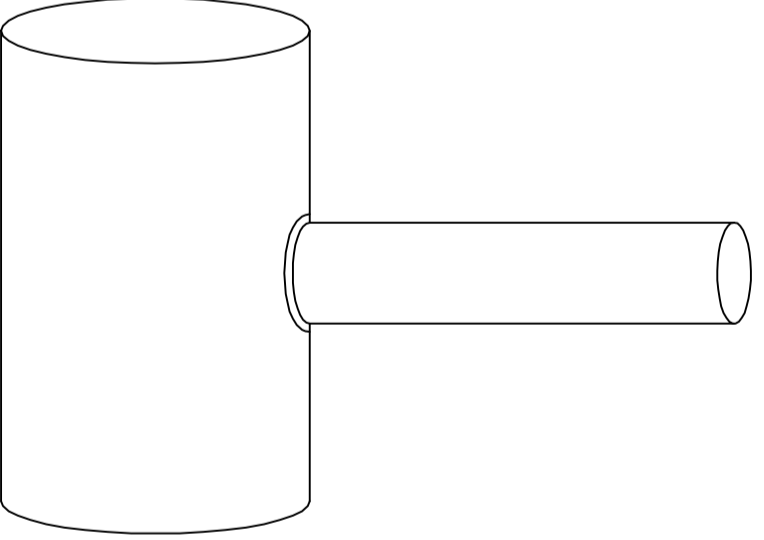
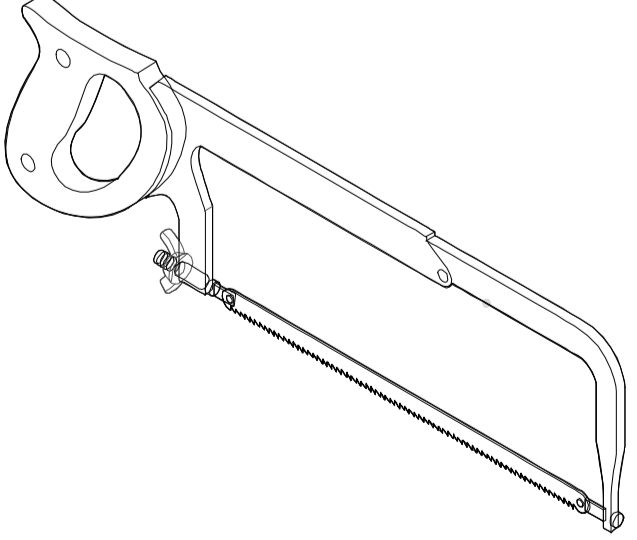
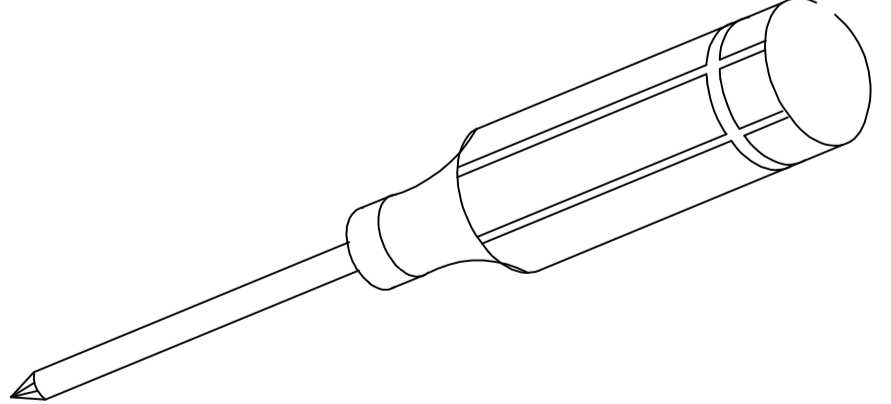
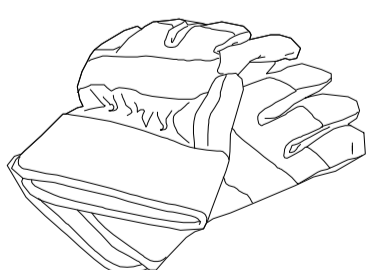
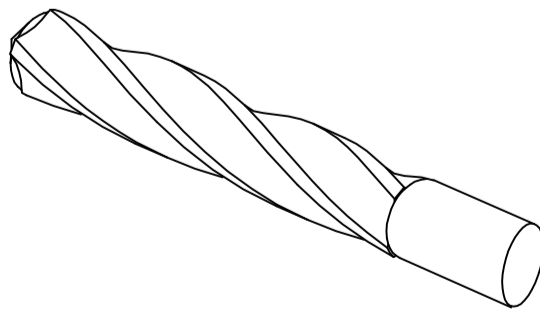
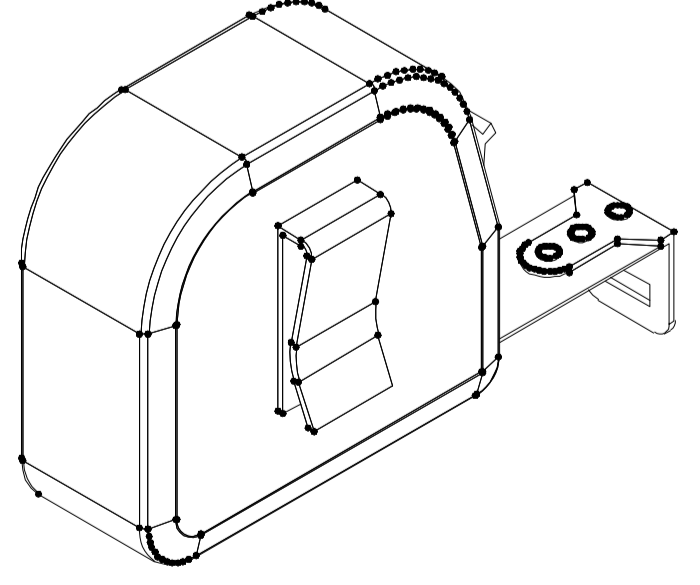
DOOR ASSEMBLY



PART LIST

A 	B 	C 	D 	E 	F 
Guide Block (1pc)	Threshold (1pc)	waterproof strip(1pc)	Bumper (2pcs)	Glass Door (1pc)	Handle (2 pcs)
G 	H 	I 	J 	K 	L 
waterproof strip(1pc)	Anti jumping parts(2pcs)	Roller (2pcs)	Wall Bracket (2pcs)	Upper Guide Rail (1pc)	Glass Bracket (2pcs)
M 	N 	O 	p 	Q 	R 
F-form waterproof strip(1pc)	Waterproof strip(1pc)	Stationary Glass(1pc)	U-form waterproof strip(1pc)	Connector of bottom profile(1pc)	Connector of bottom profile(1pc)
S 	T 				
Template(1pc)	Allen Wrench				

Recommended Tools

					
Silicone	Safety Glass	Pencil	Drill	Level	Rubber Hammer
					
Hacksaw	Screw Driver	Safety Gloves	1/4" Drill Bit	Tape Measure	

1 Measure the finished opening width.

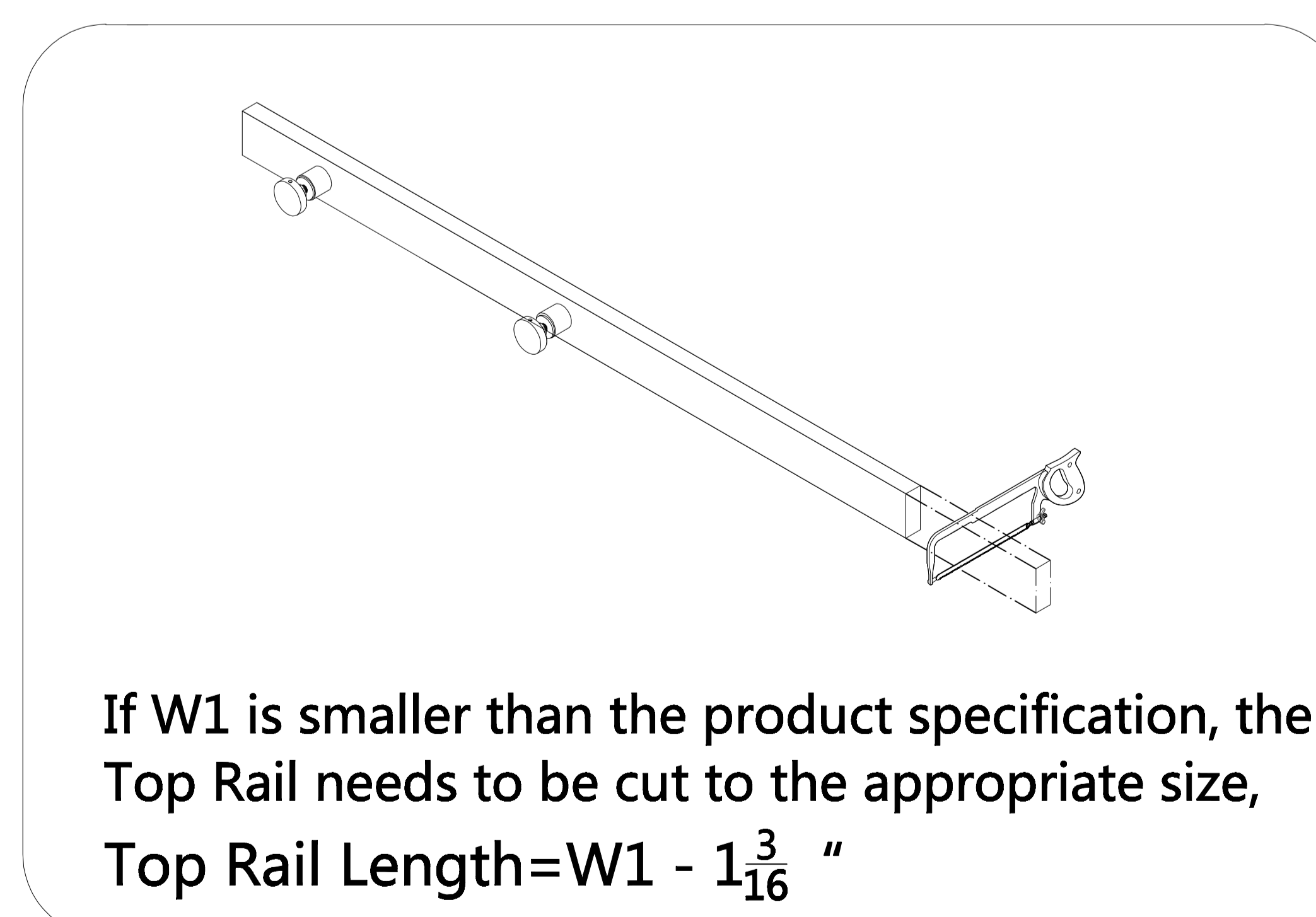
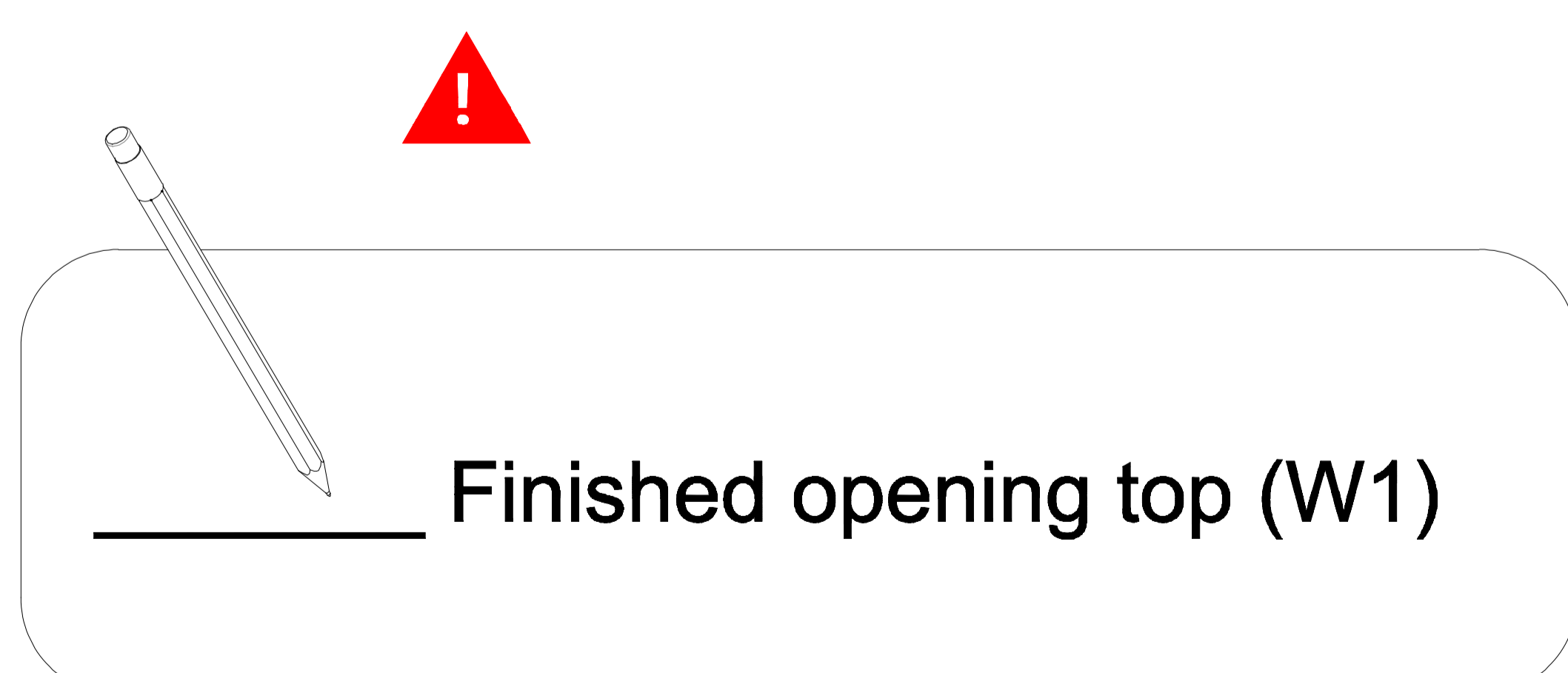
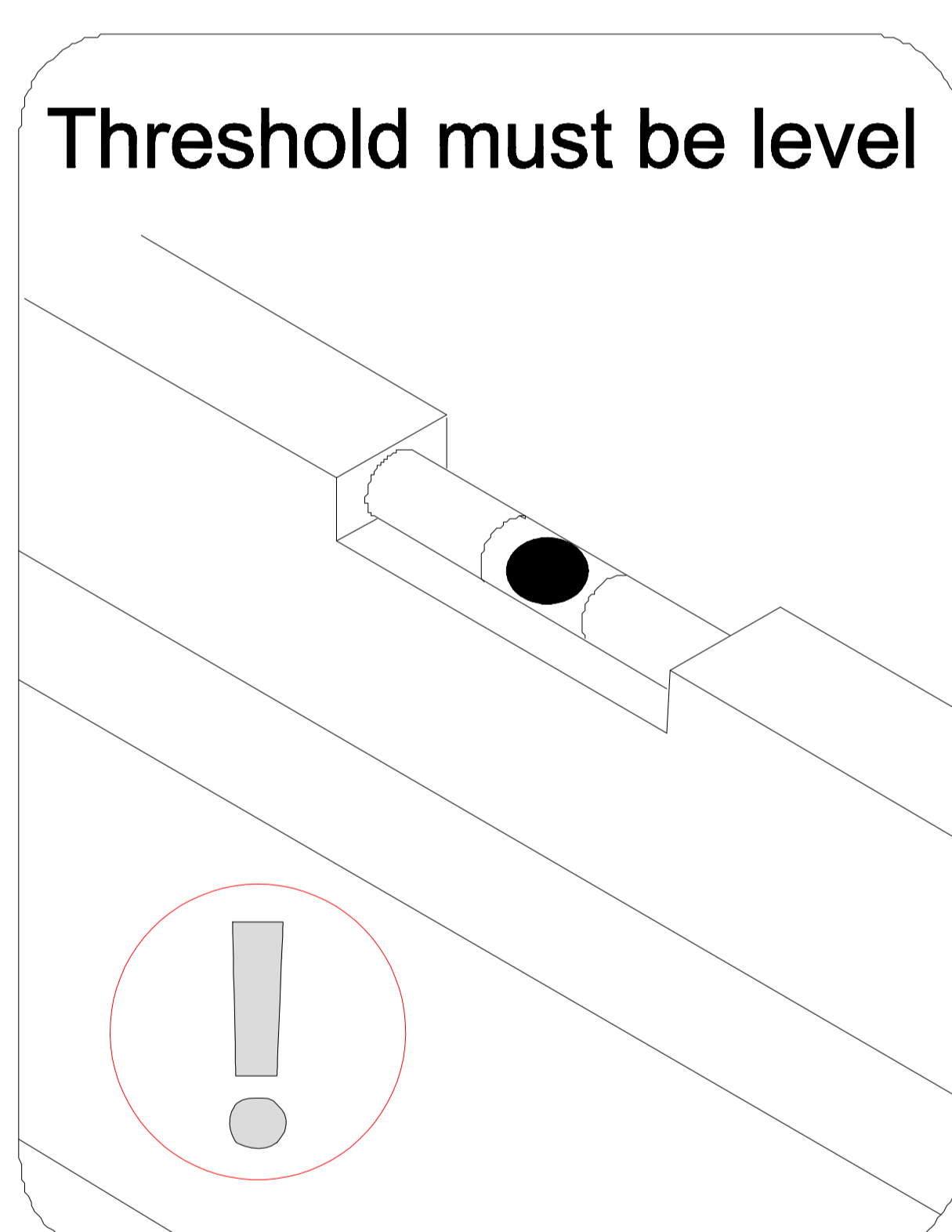
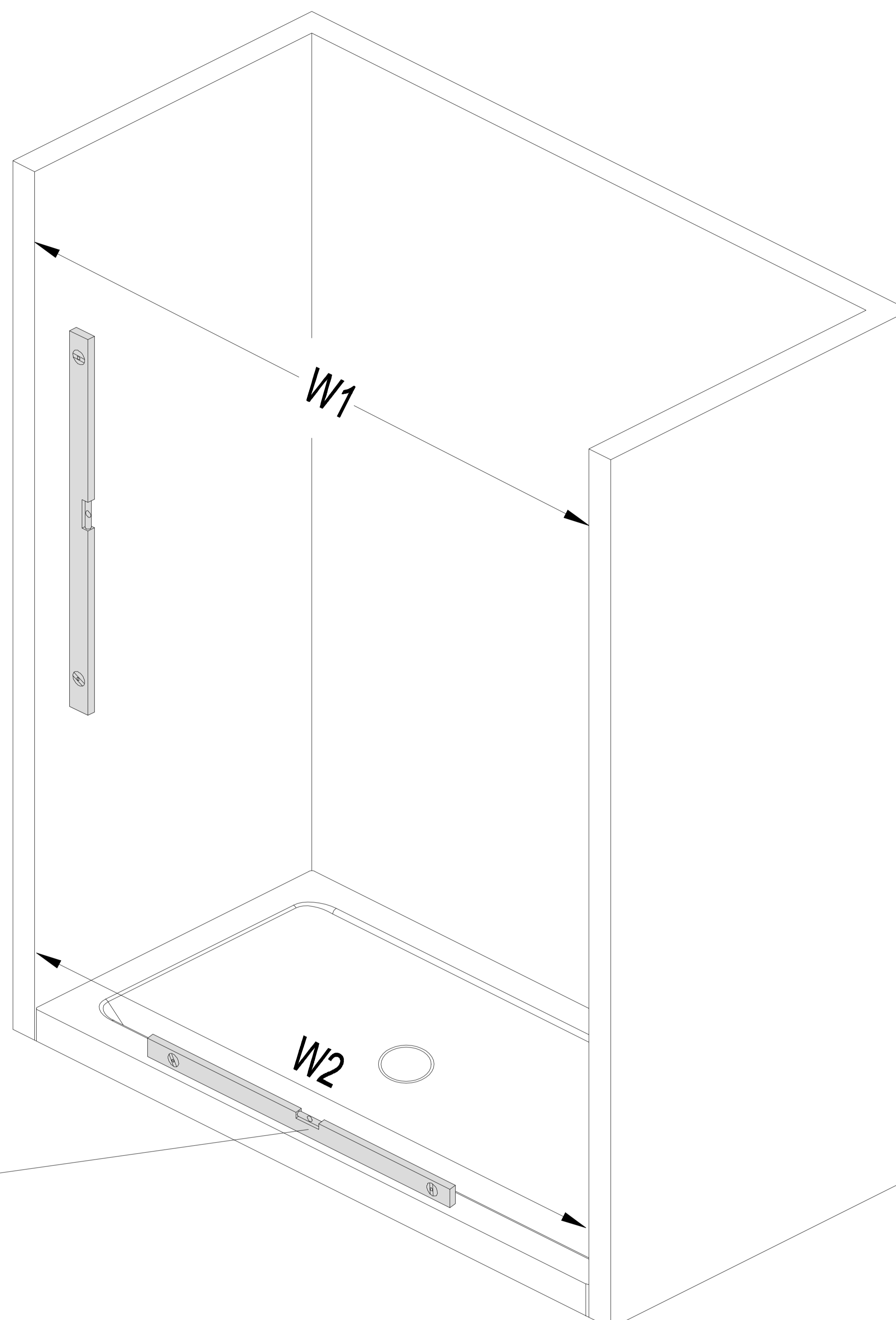
IMPORTANT: Incorrect measurement may prevent proper door closure. Double-check measurement.

Before beginning installation, verify the door assembly will fit within the horizontal opening of the shower enclosure.

Measure distance "W1" of upper shower enclosure opening and distance "W2" of lower shower enclosure opening.

Both measurements should be within the dimensions listed above for required opening widths.

W1 = Upper Enclosure Width
W2 = Lower Enclosure Width



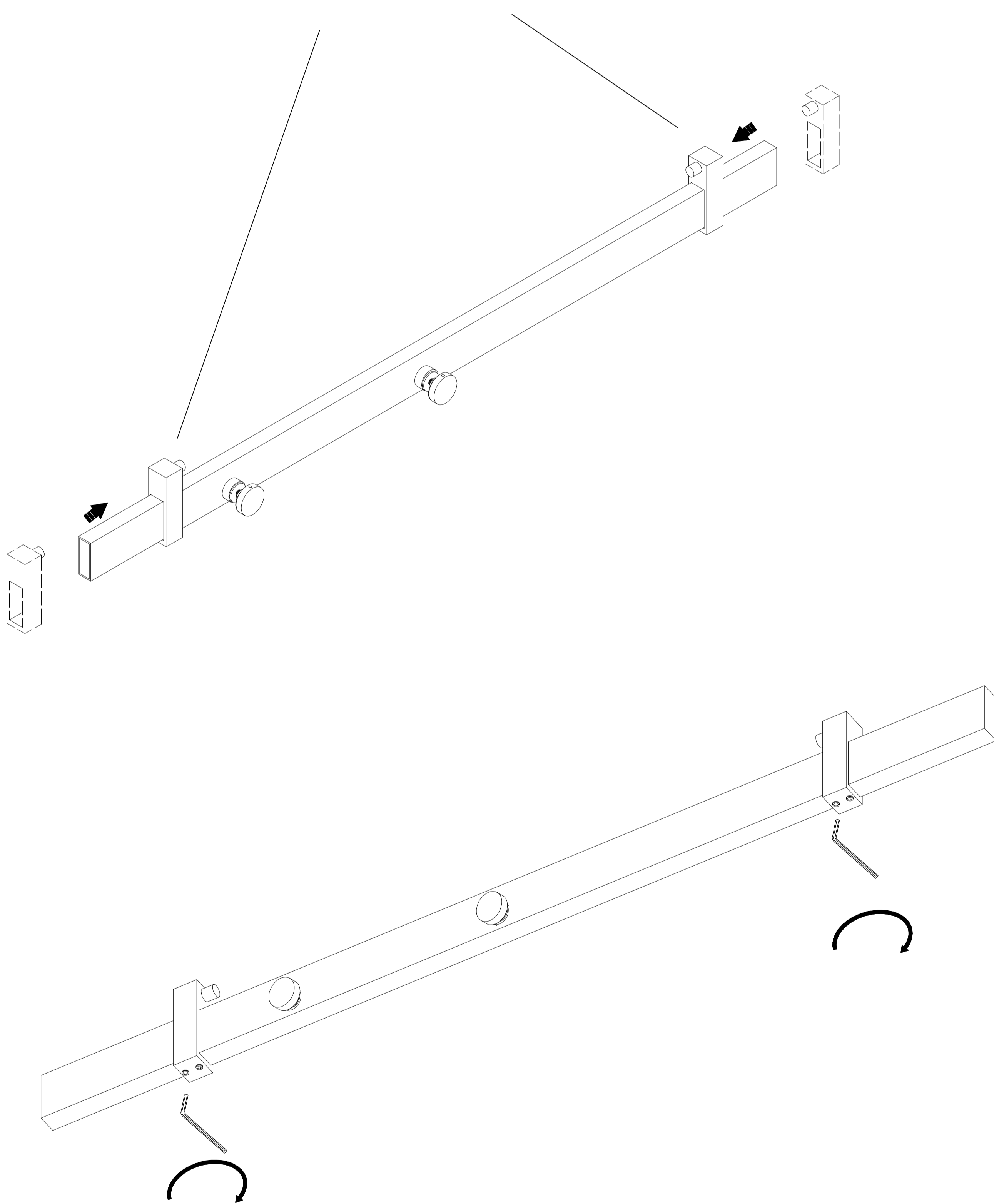
Choose the appropriate diagram below to assemble your shower door

Left Hand Assembly

STEP 1

1. Install the collision prevention component on the pull rod

Pay attention to the bumper facing upwards



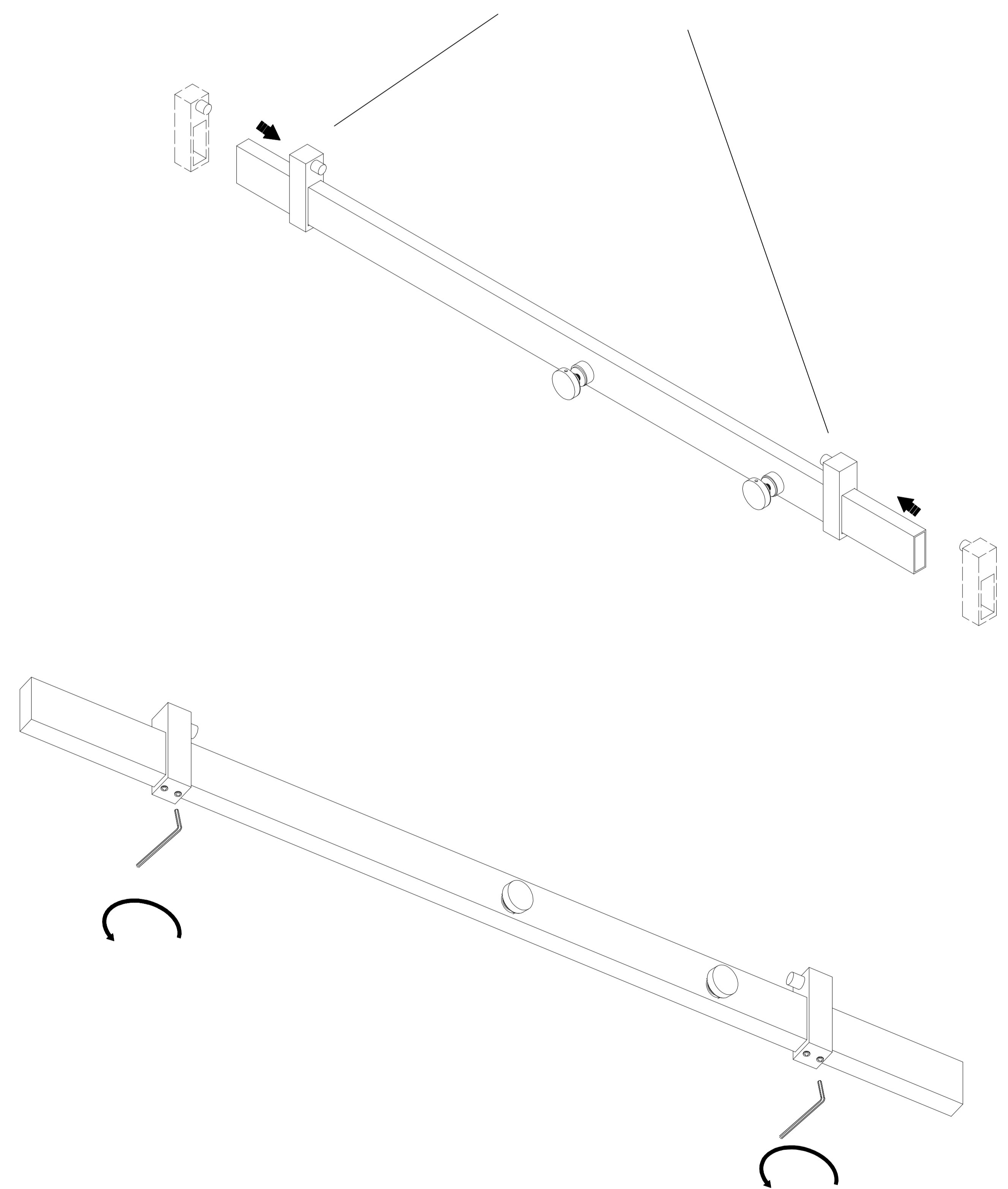
Tighten the bottom screw with Allen wrence

Right Hand Assembly

STEP 1

1. Install the collision prevention component on the pull rod

Pay attention to the bumper facing upwards

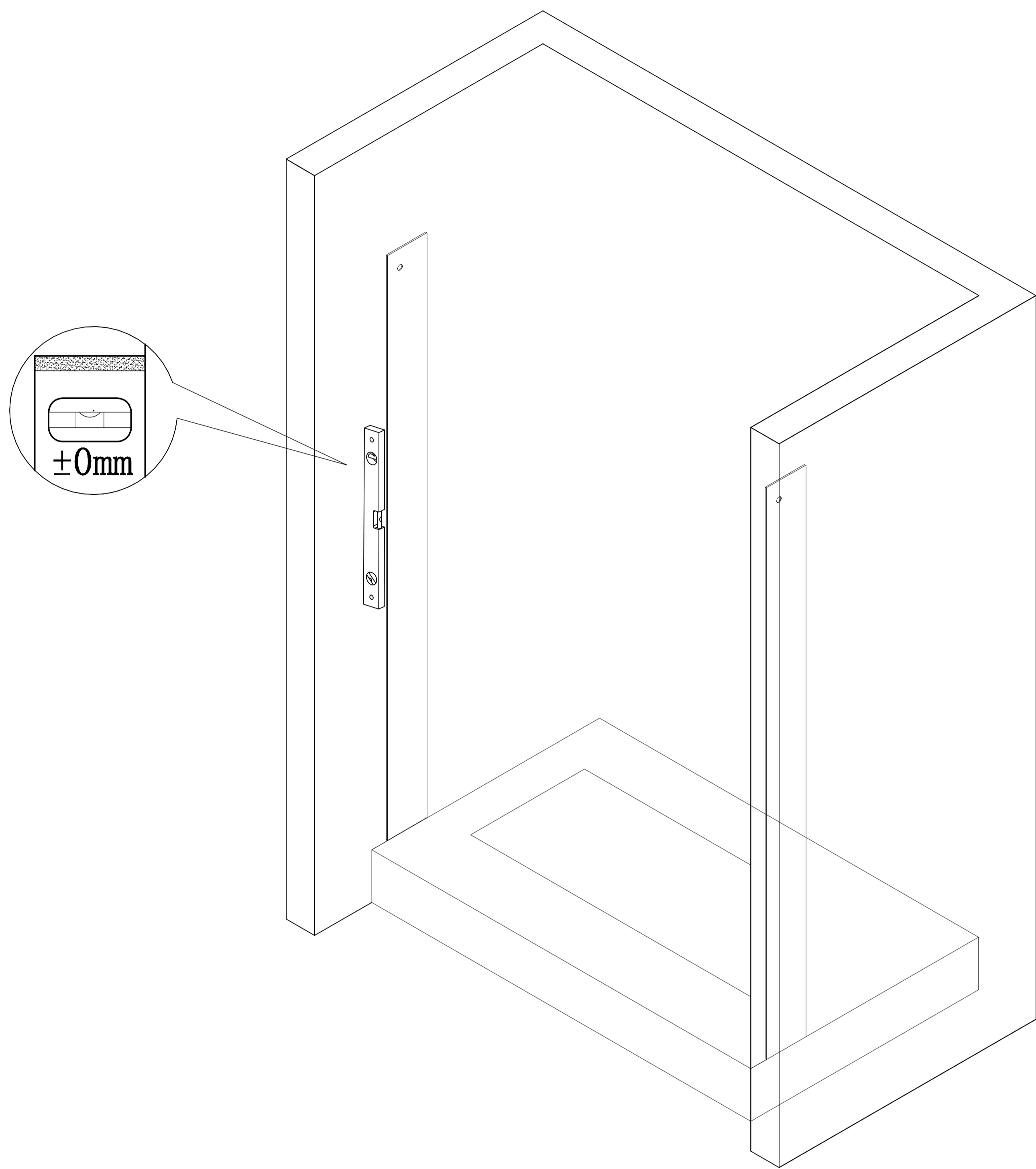


Tighten the bottom screw with Allen wrence

Choose the appropriate diagram below to assemble your shower door

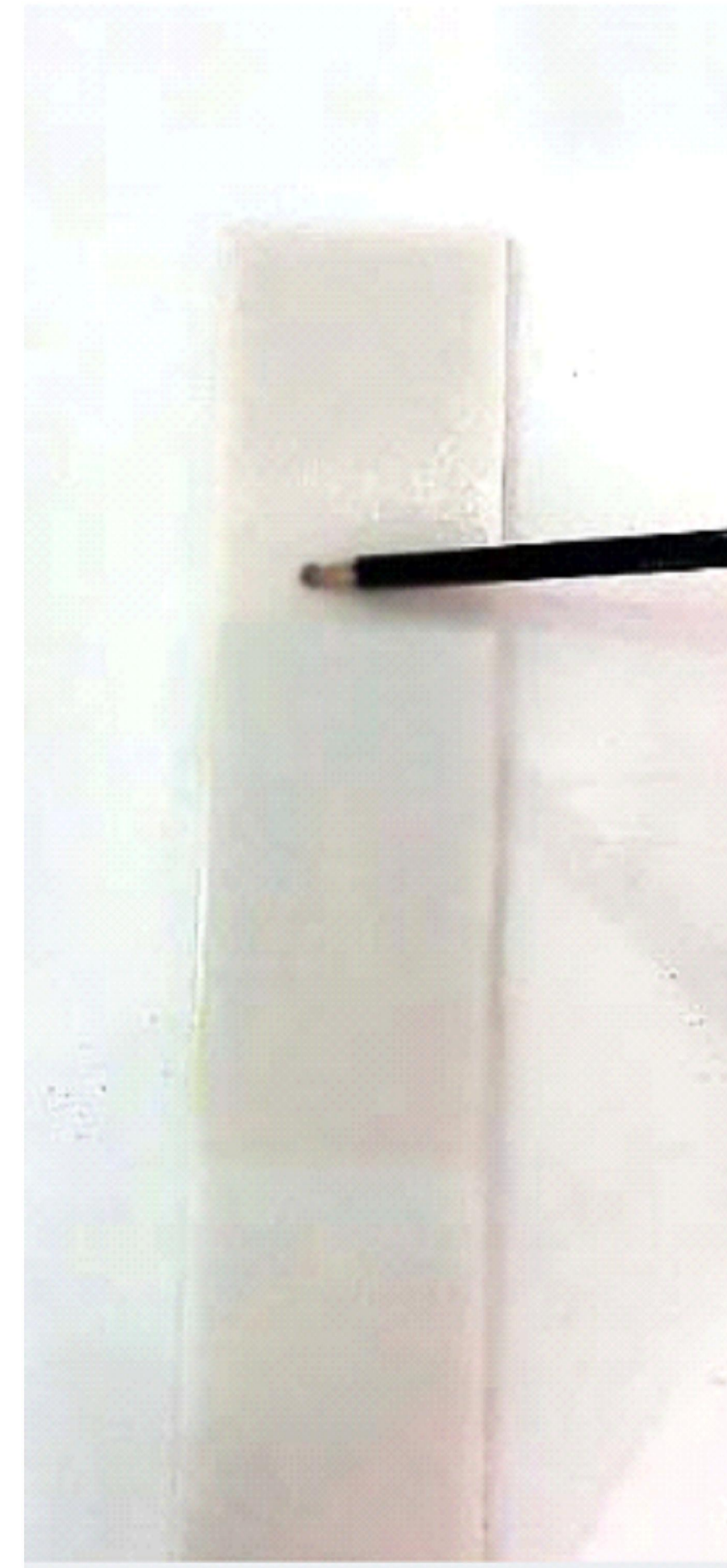
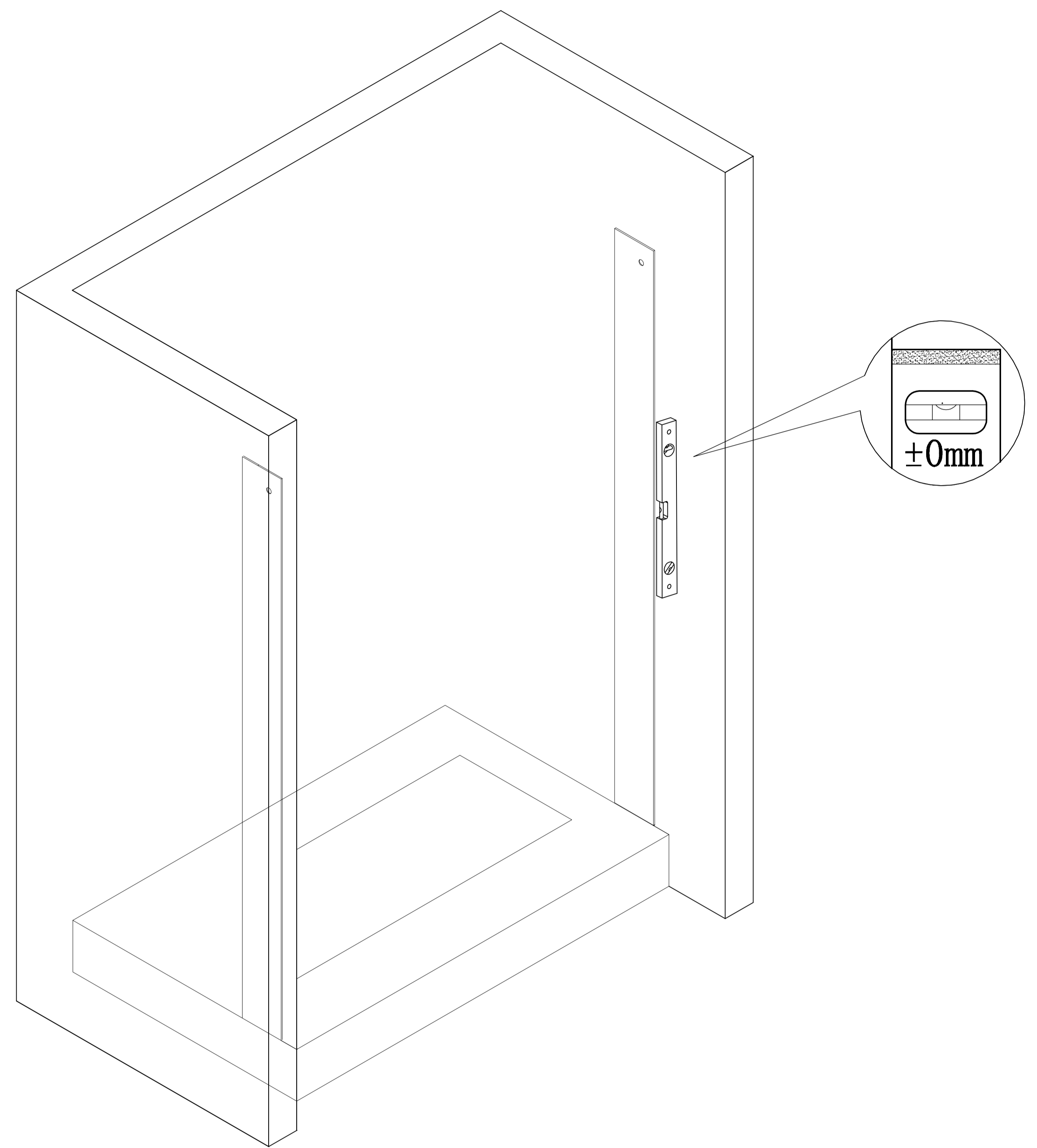
Left Hand Assembly

1. Lean the template on the wall.
2. Make sure to level the template.
3. Use pencil to mark the hole on the template.



Right Hand Assembly

1. Lean the template on the wall.
2. Make sure to level the template.
3. Use pencil to mark the hole on the template.



1. Lean the template on the wall.

2. Make sure to level the template.

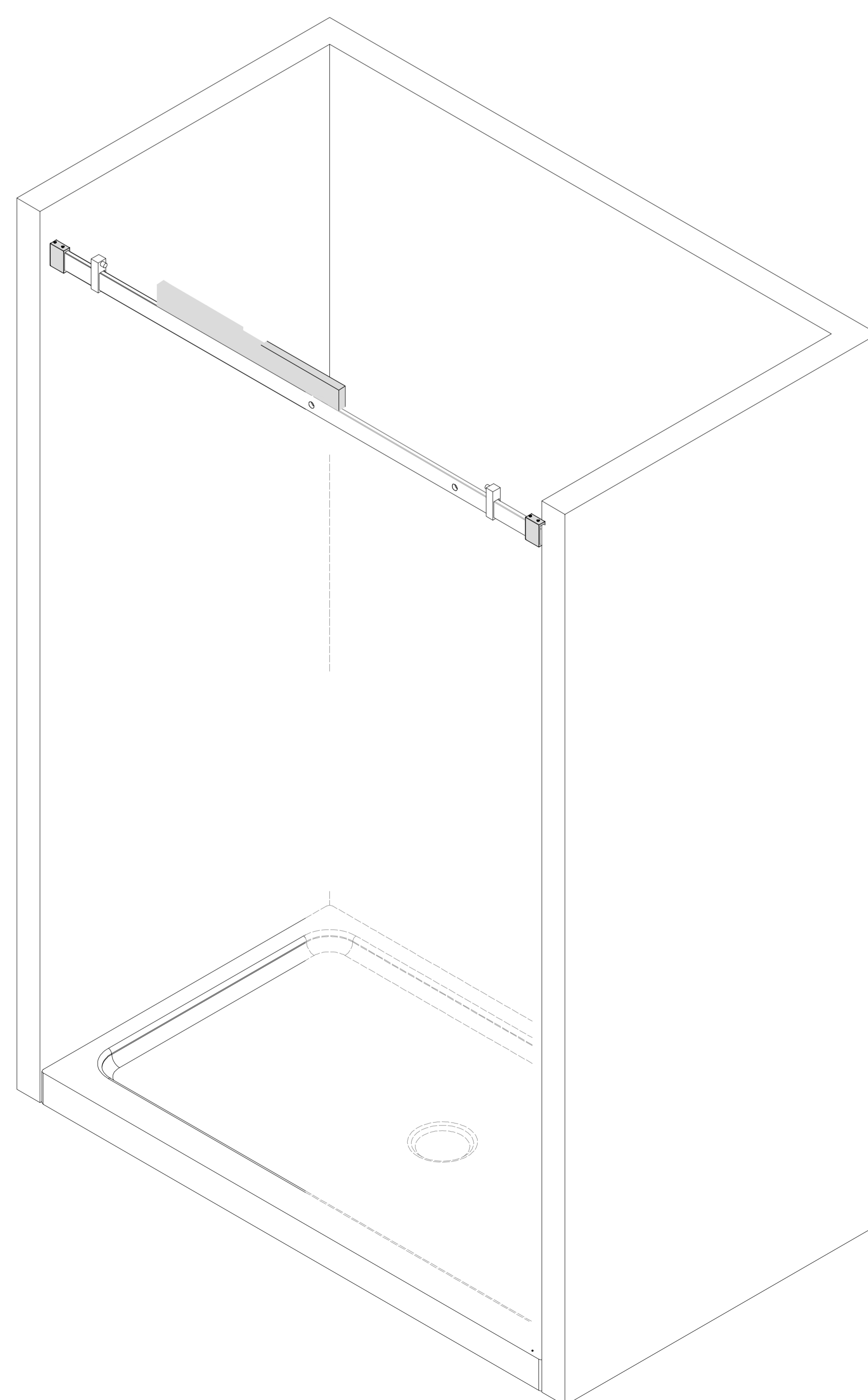
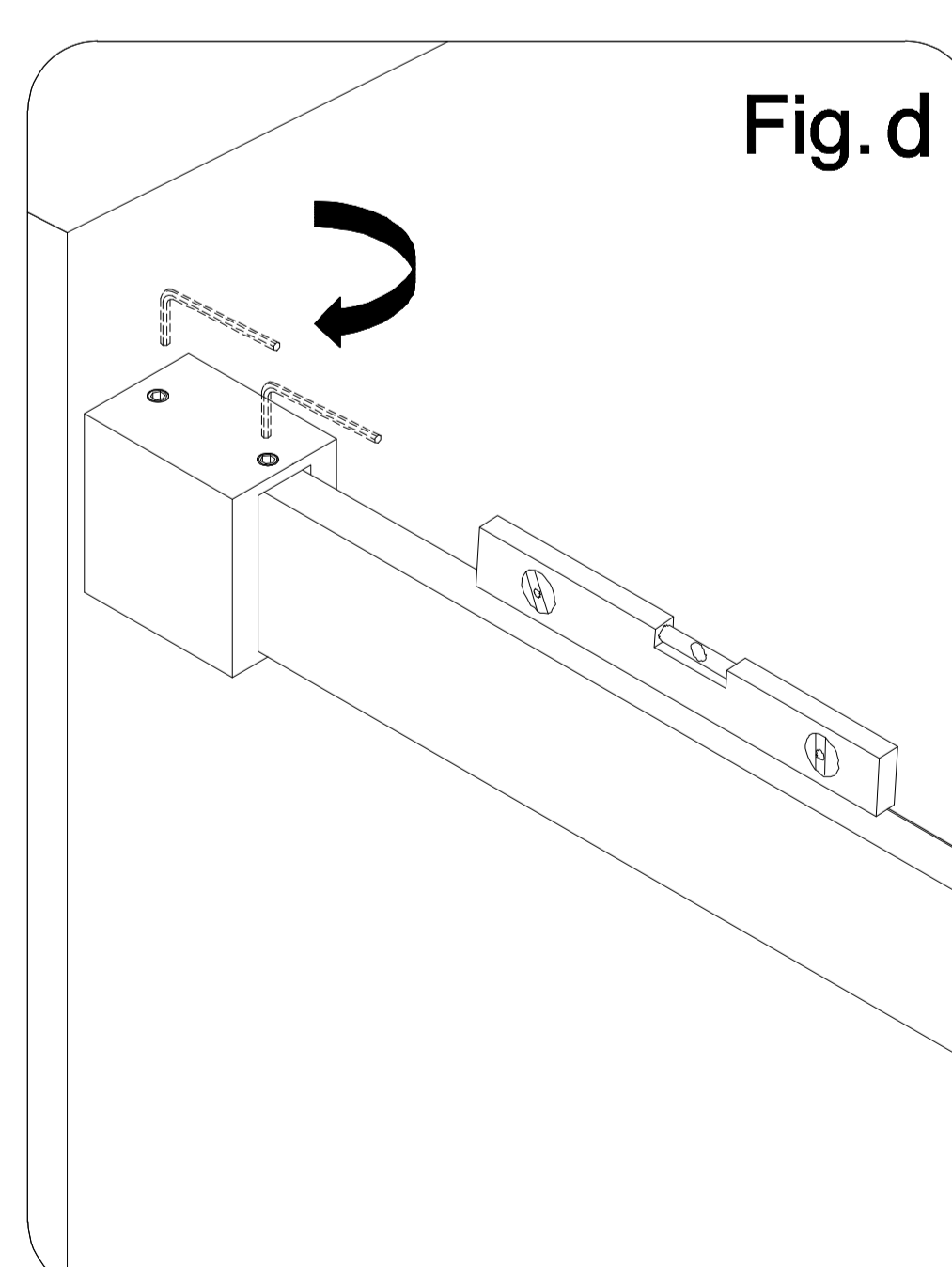
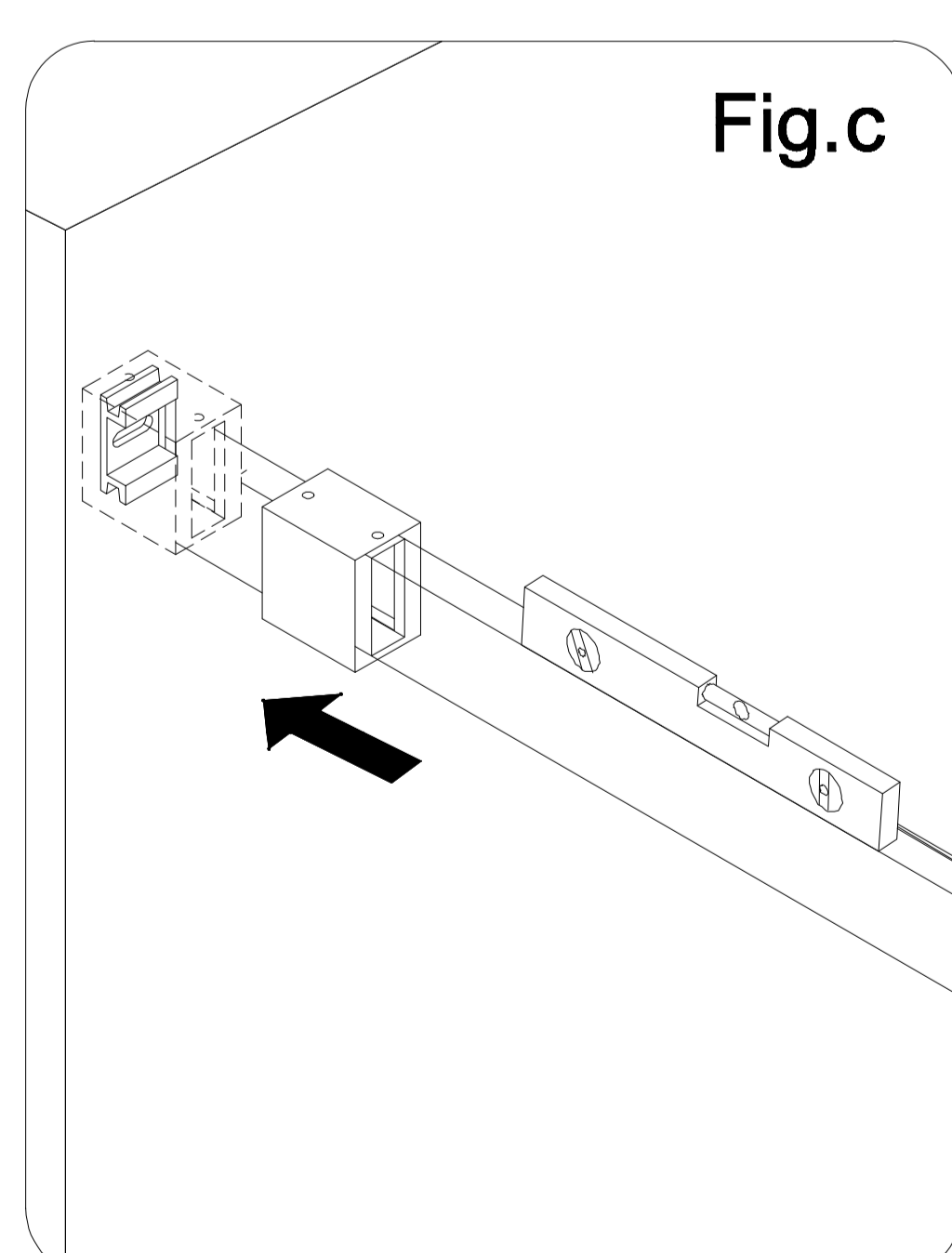
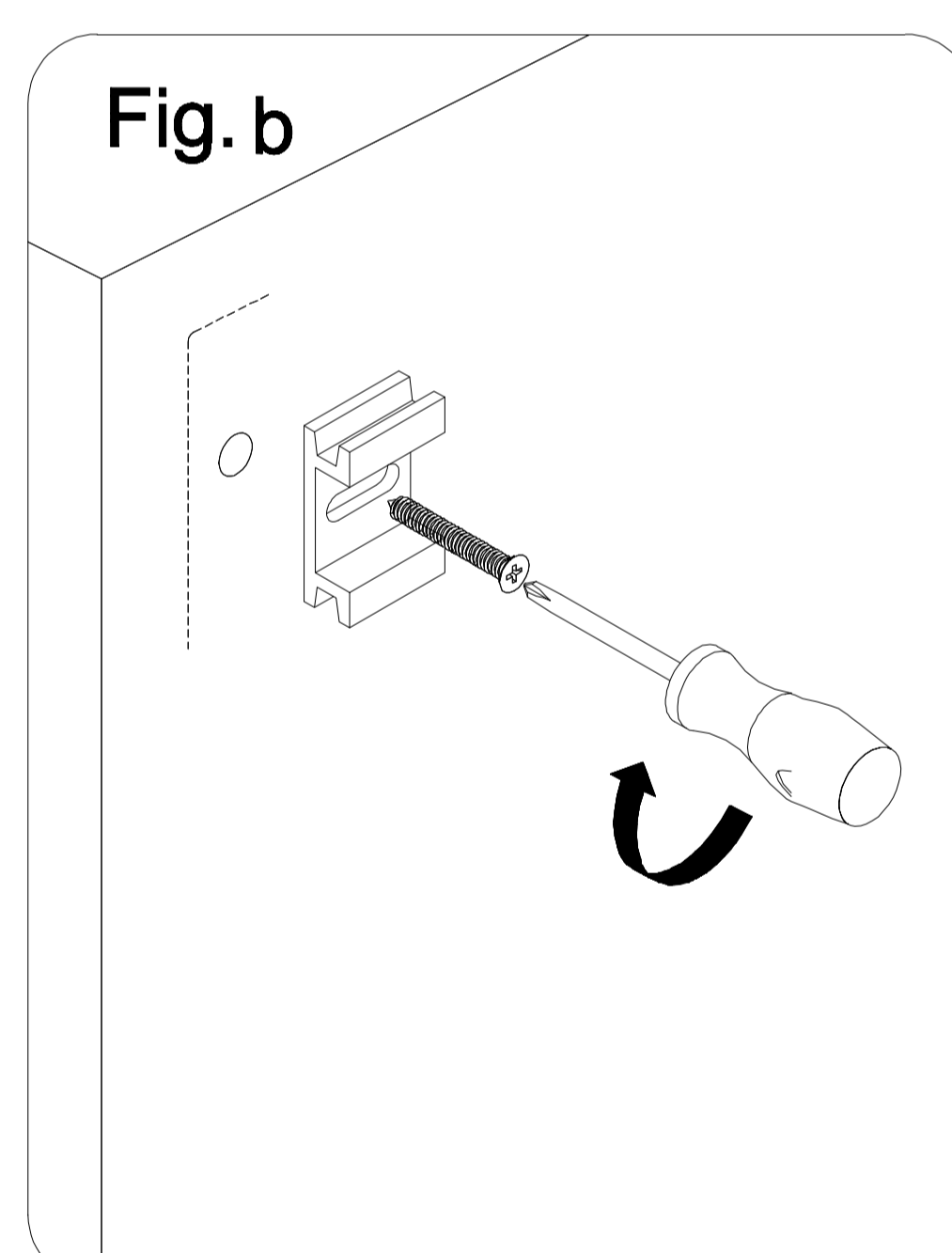
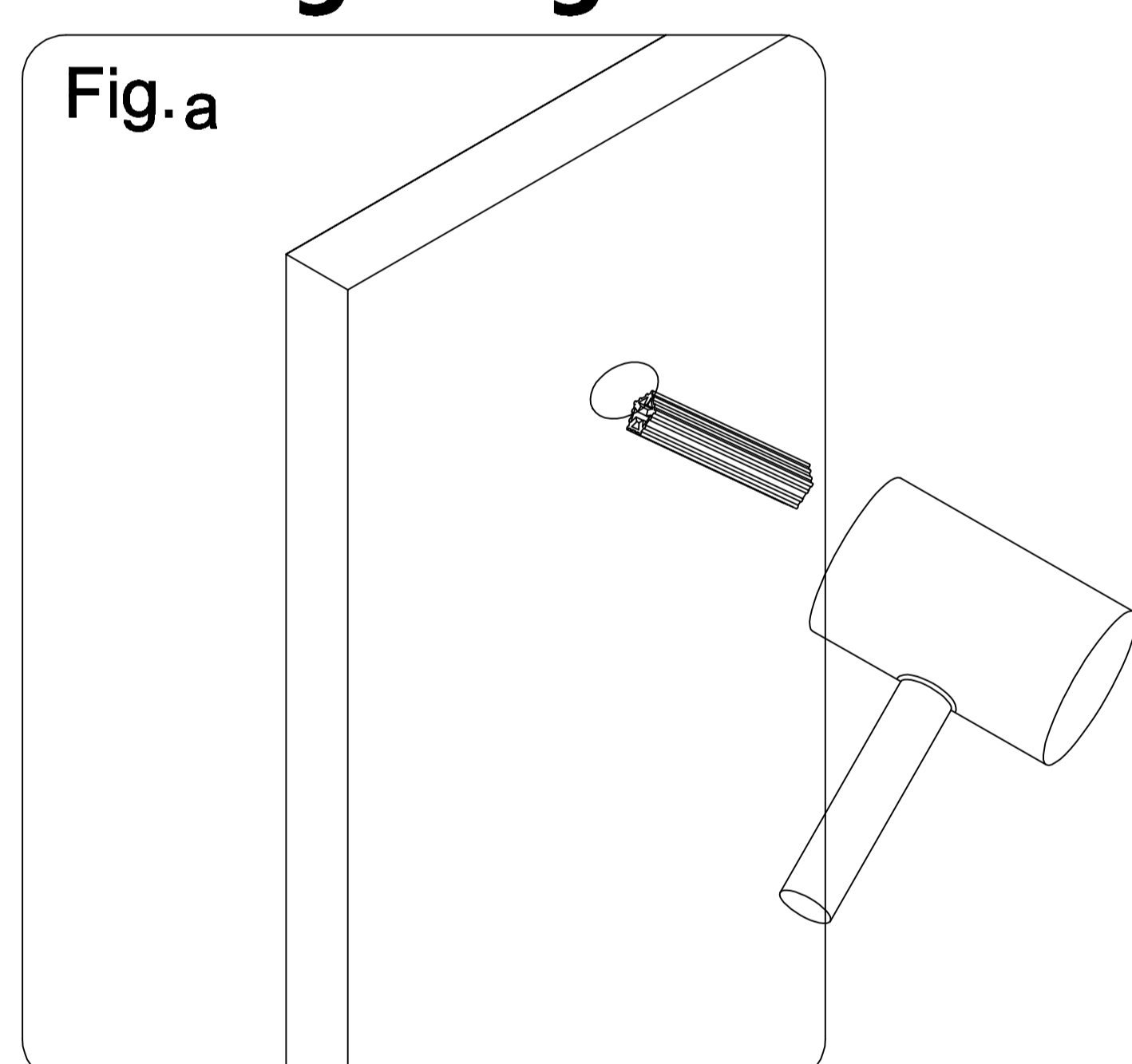
3. Use pencil to mark the hole

4. Drill a hole at the mark location.

3 Wall Bracket (J) Installation

1. **Drill holes and inject rubber particles, as shown in Figure a;**
2. **Use 4X35 self tapping screws to fix the connecting part of component (J) to the wall, as shown in Figure b;**
3. **Move bracket back a little bit;Align the Upper Guide Rail(K) with the bracket and Slide bracket outward (toward wall) over mounting bracket as Fig.c;**
4. **Tighten all four Allen screws by hand until secure as Fig.d ;**
5. **Ensure that both sides of the Upper Guide Rail(K) are level and consistent.**

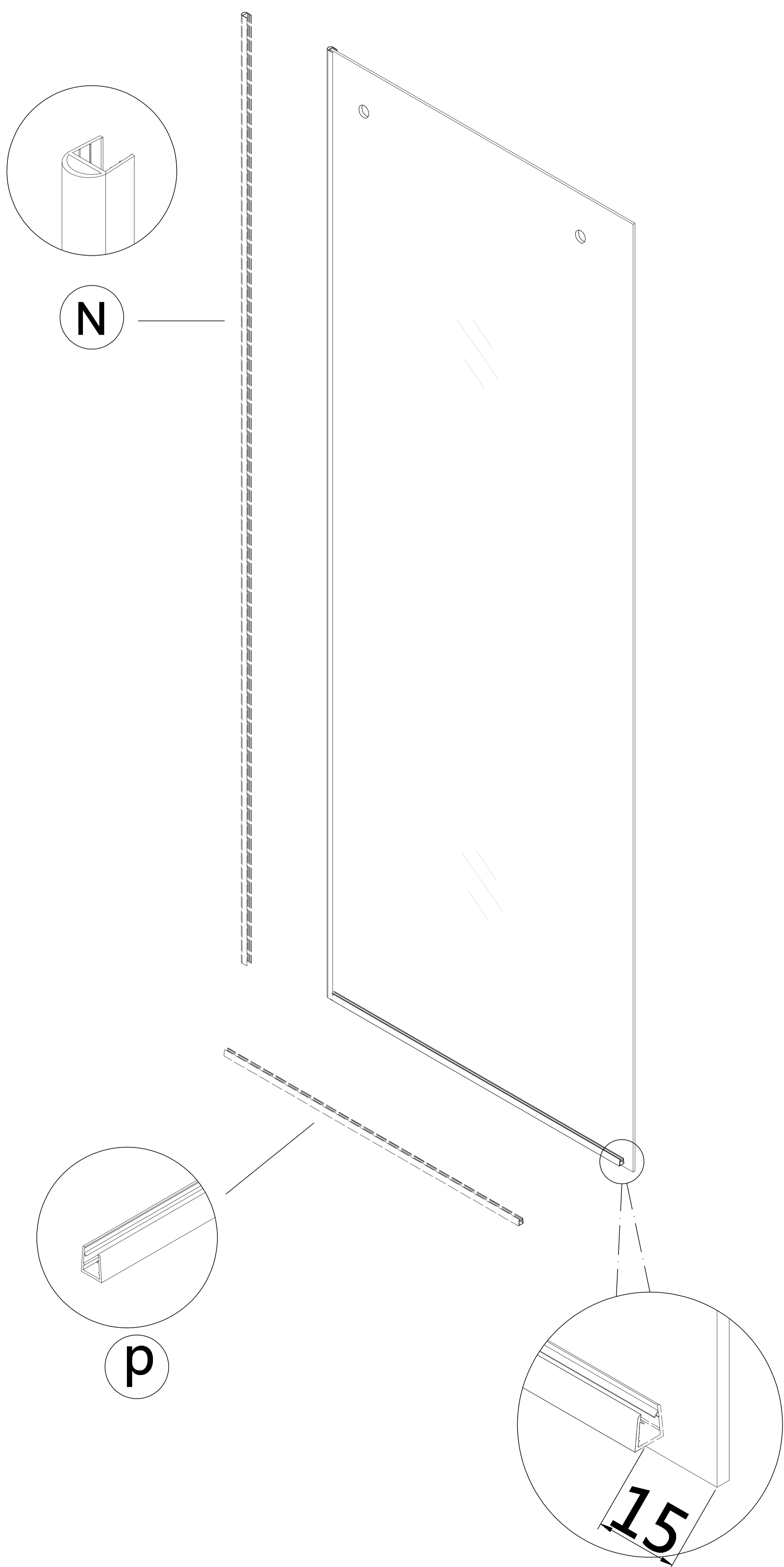
**if cannot be drilled,please
fix it with glass gule.**



Choose the appropriate diagram below to assemble your shower door

Left Hand Assembly

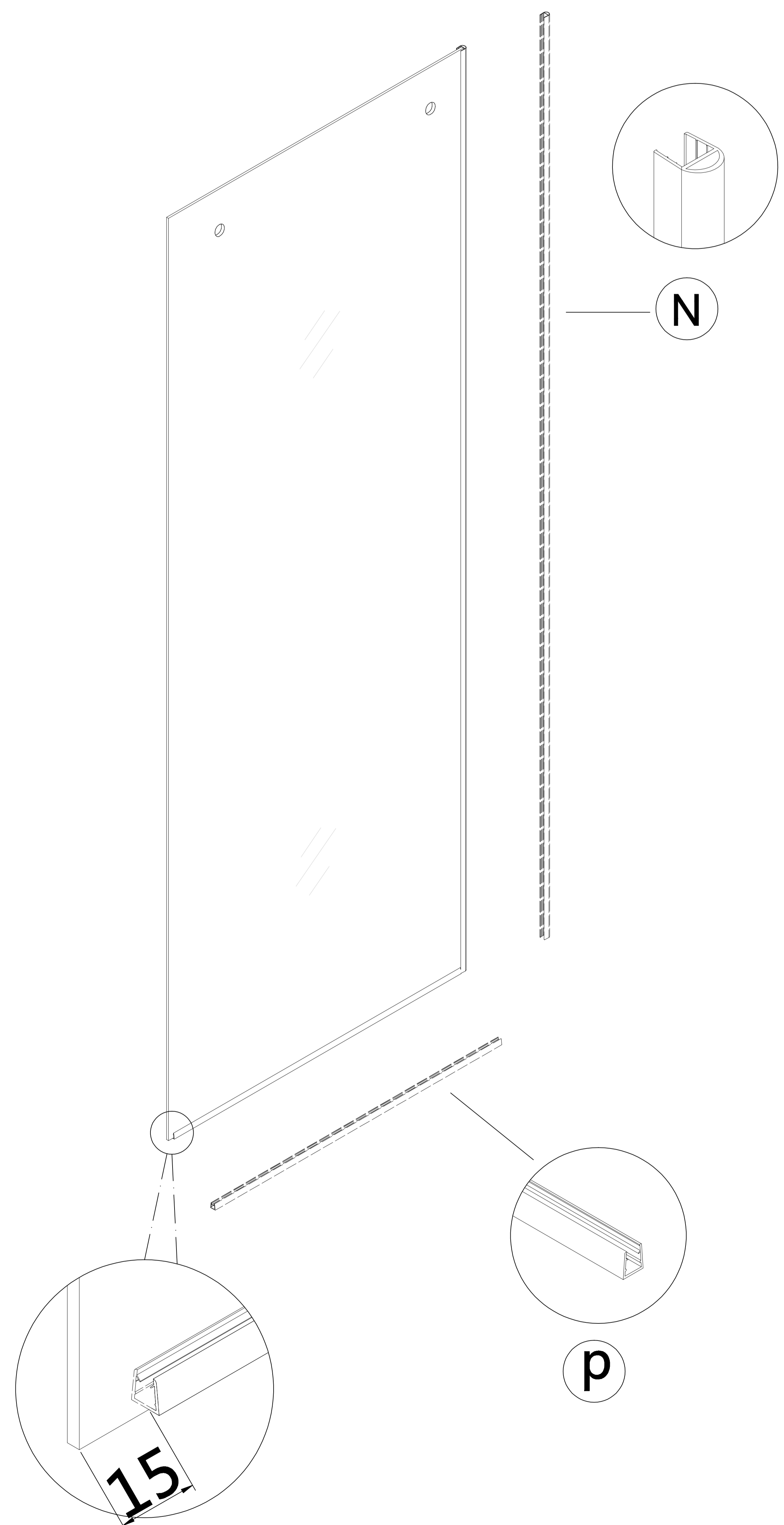
4. Install waterproof strips (N) and (p) on the fixed glass



The waterproof strip is 15MM away from the stationary glass.

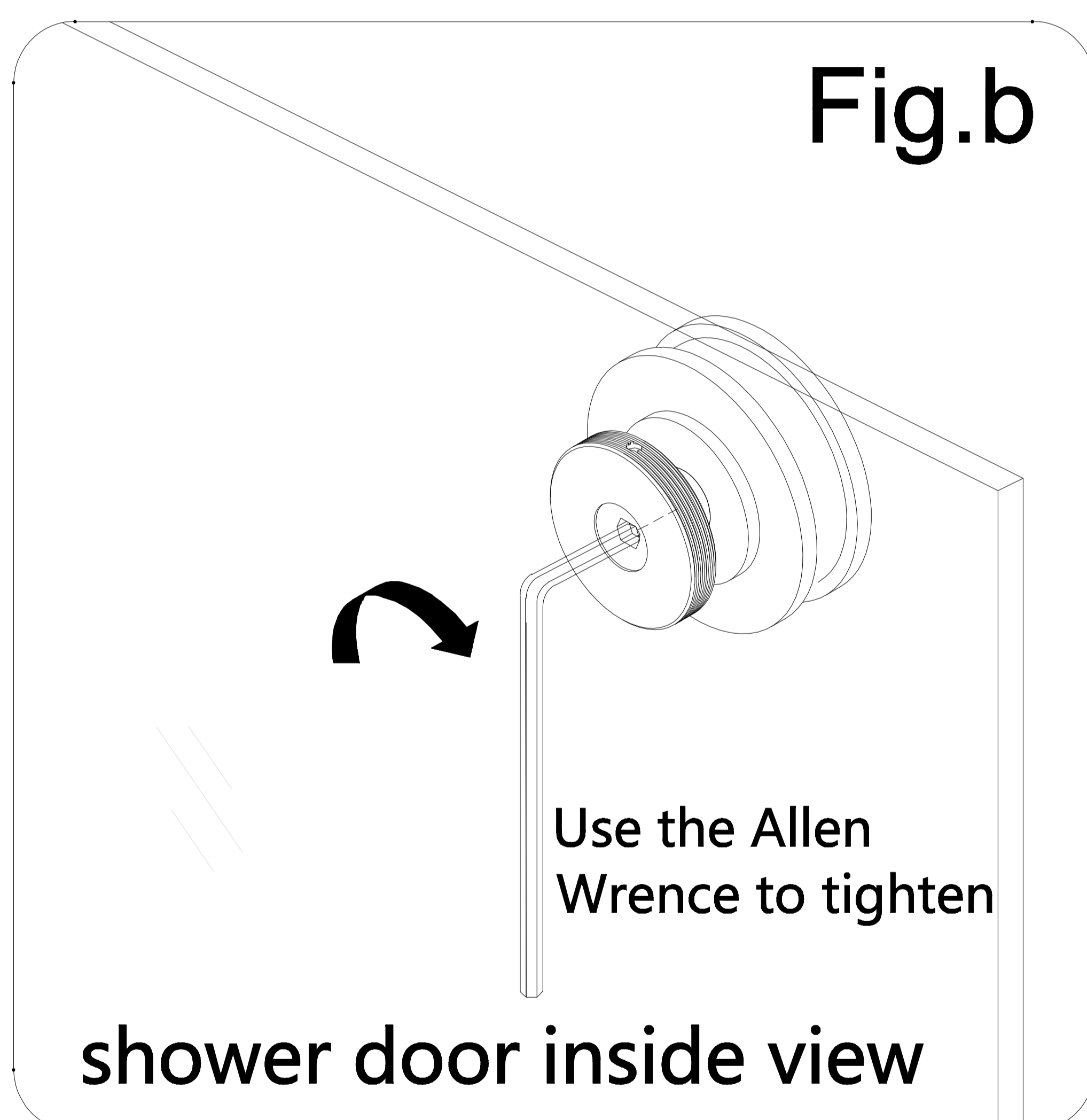
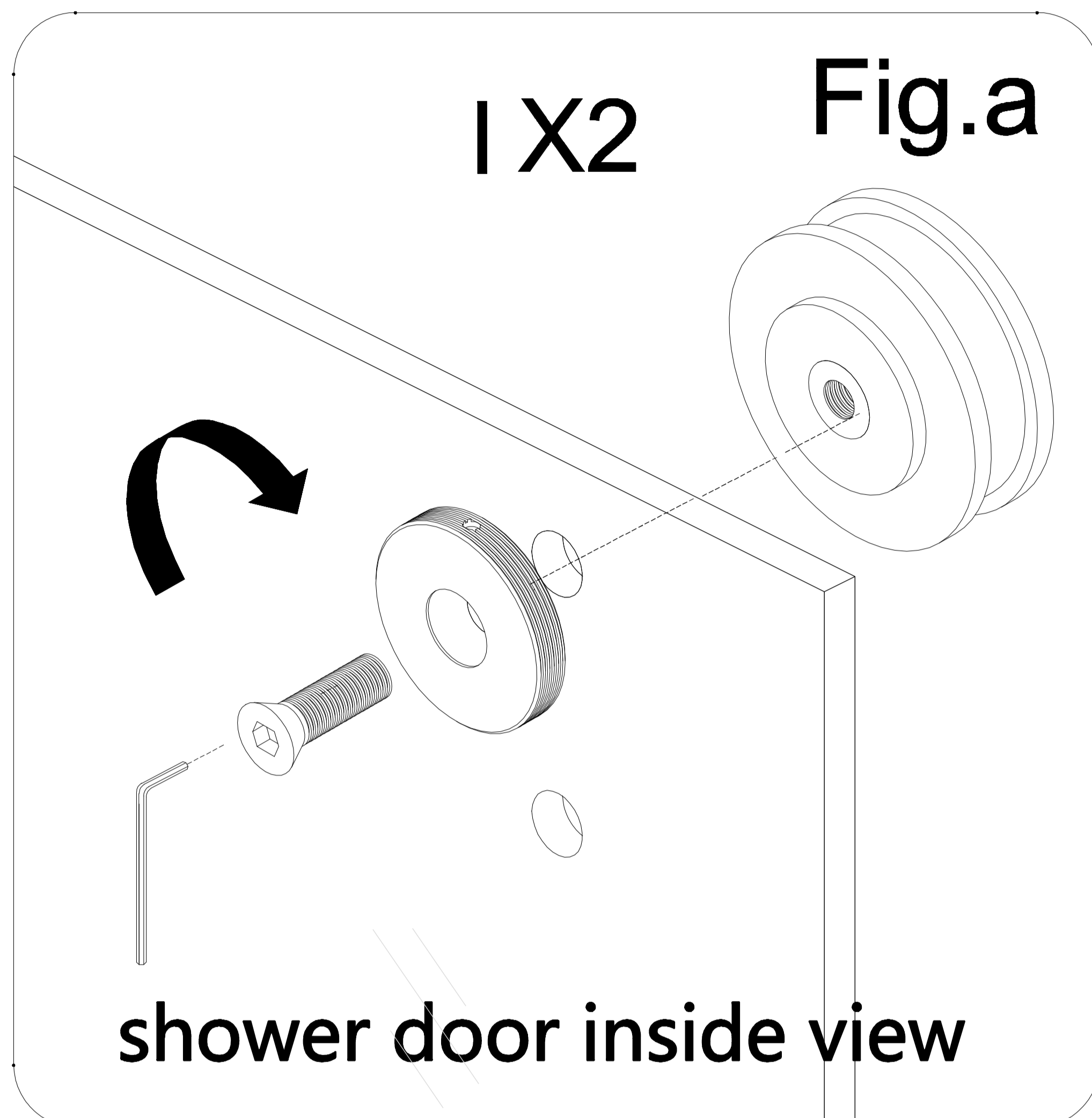
Right Hand Assembly

4. Install waterproof strips (N) and (p) on the fixed glass

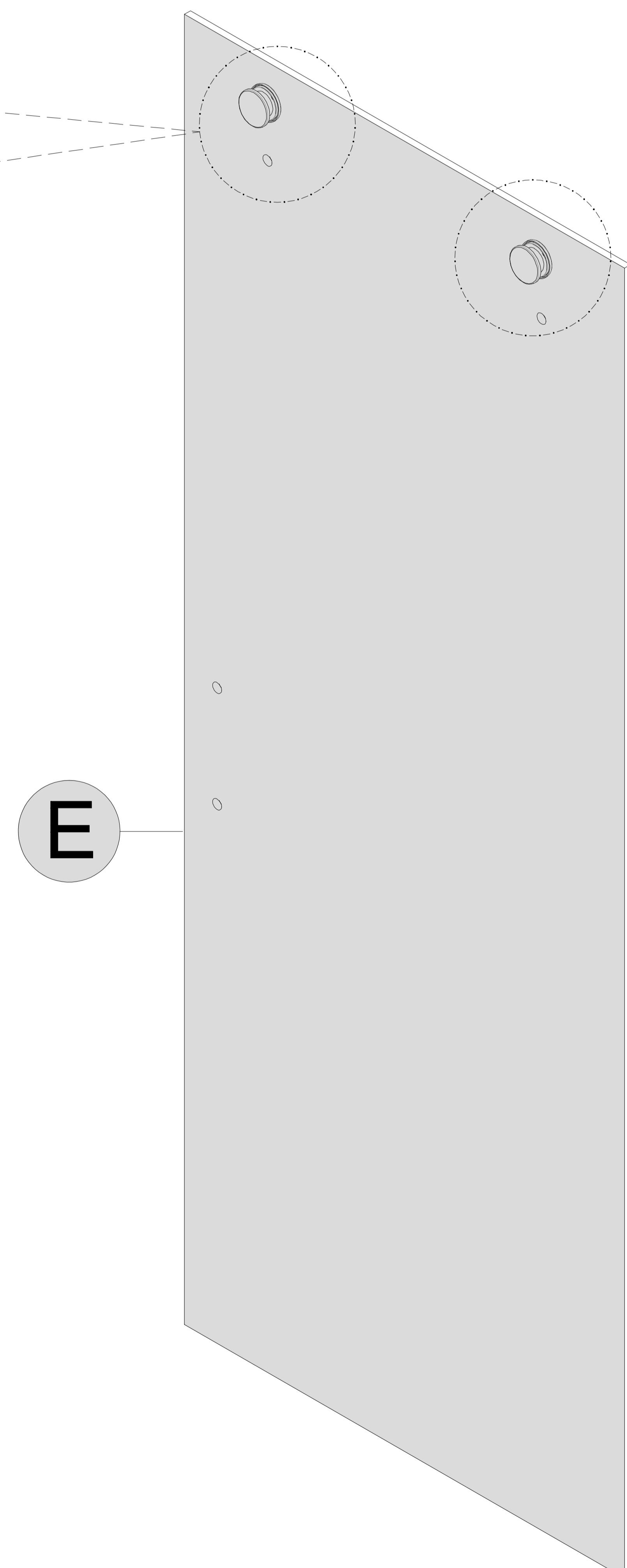


The waterproof strip is 15MM away from the stationary glass.

5 Roller(I) Installation

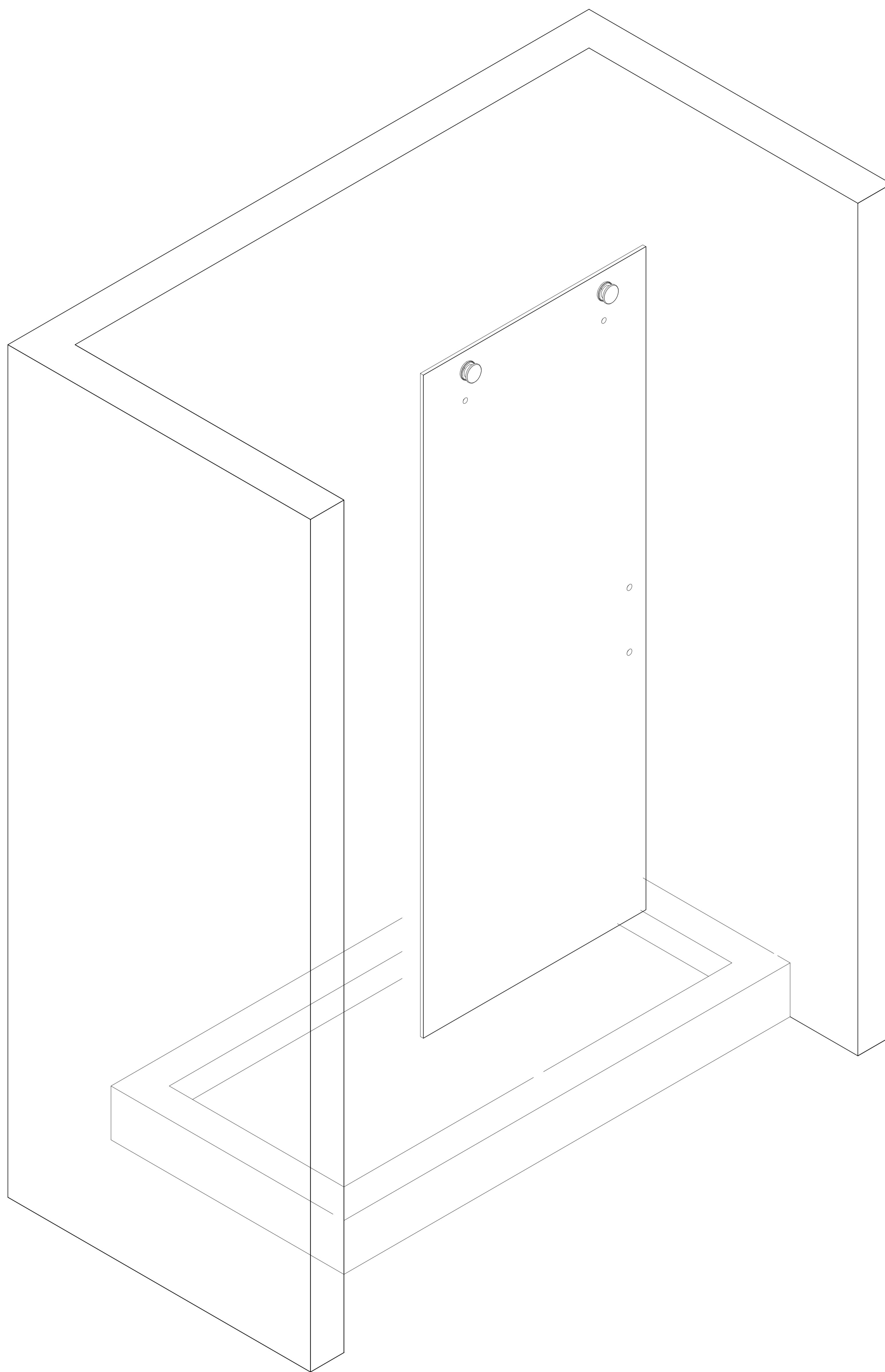


1. Install the **Roller(I)** on the **Glass Door(E)** and faces outside as Fig.a and Fig.b;



CAUTION: When cutting or drilling metal components or when handling glass, to reduce the risk of personal injury, protective eye wear, gloves, and closed-toe shoes are required.

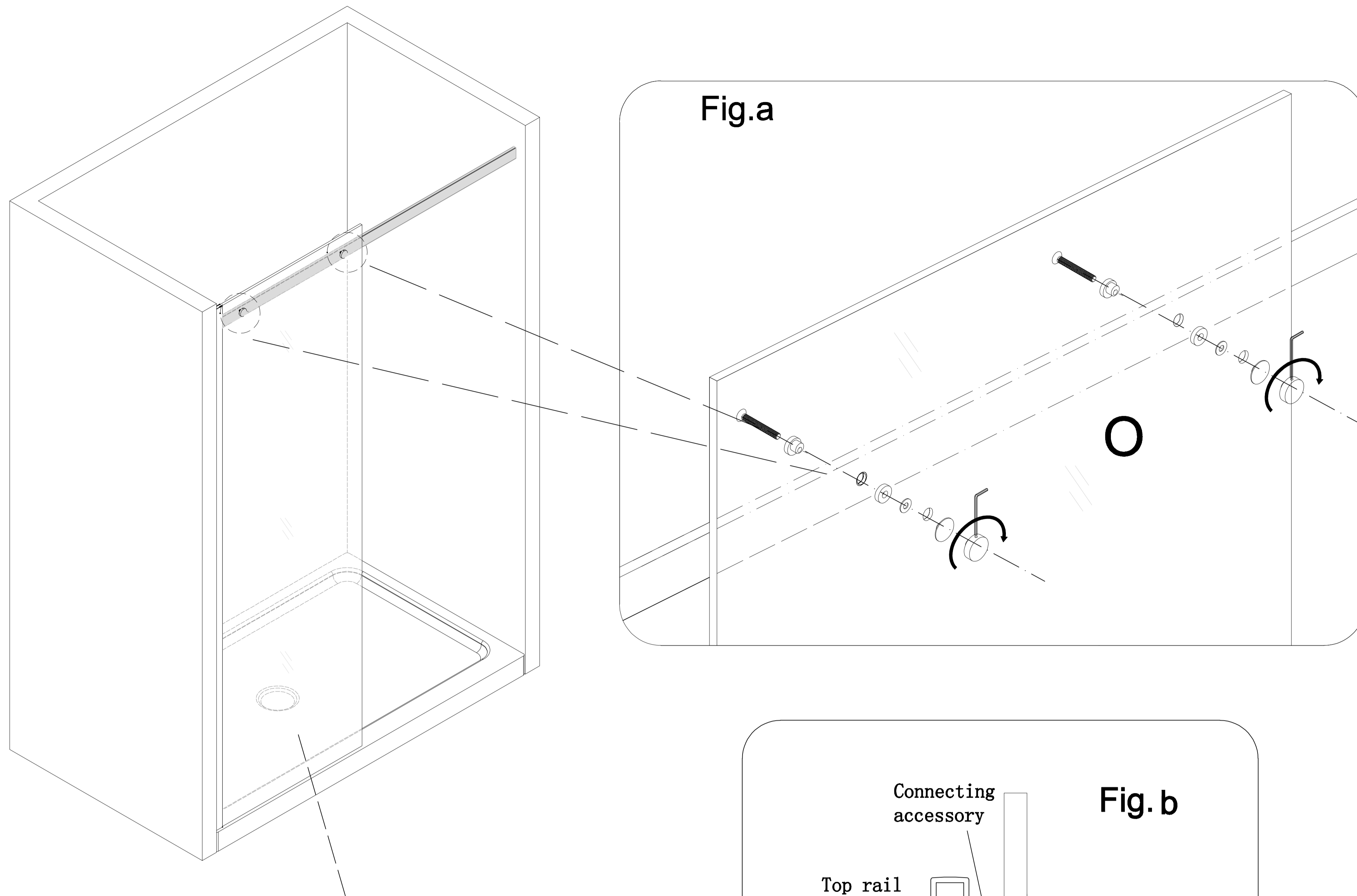
5-1



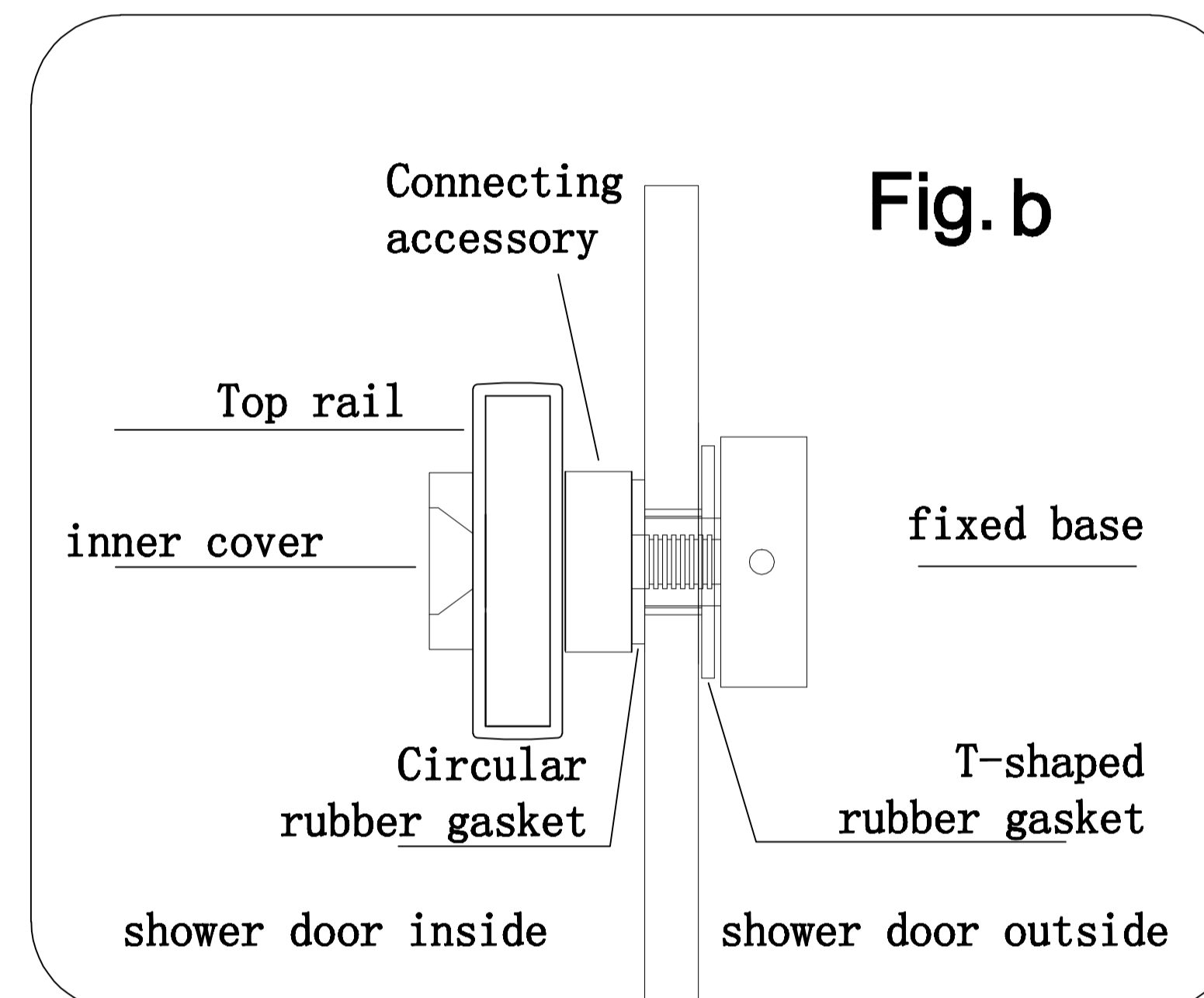
After installing the roller, please place glass door in the corner of the shower room.

Choose the appropriate diagram below to assemble your shower door

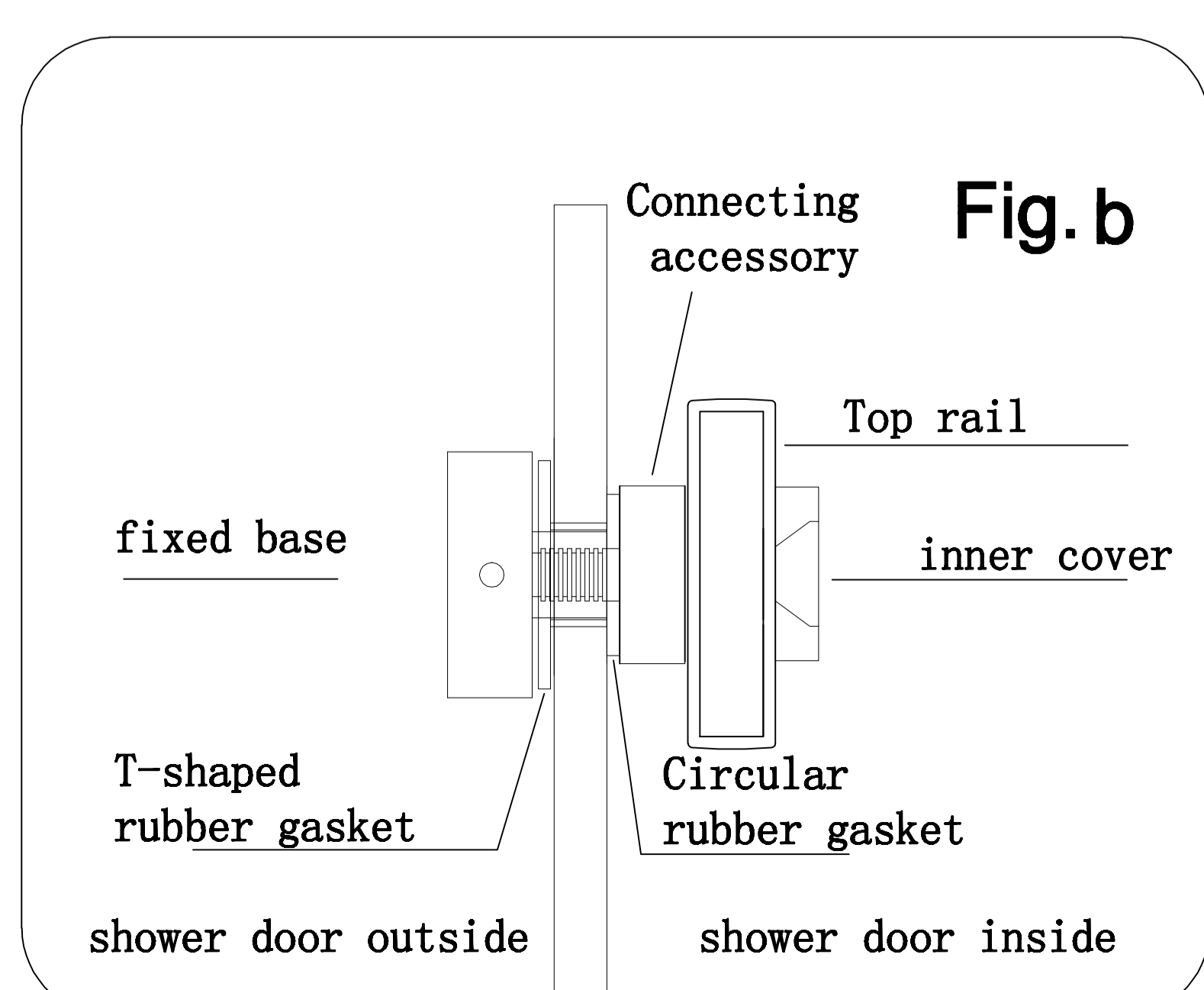
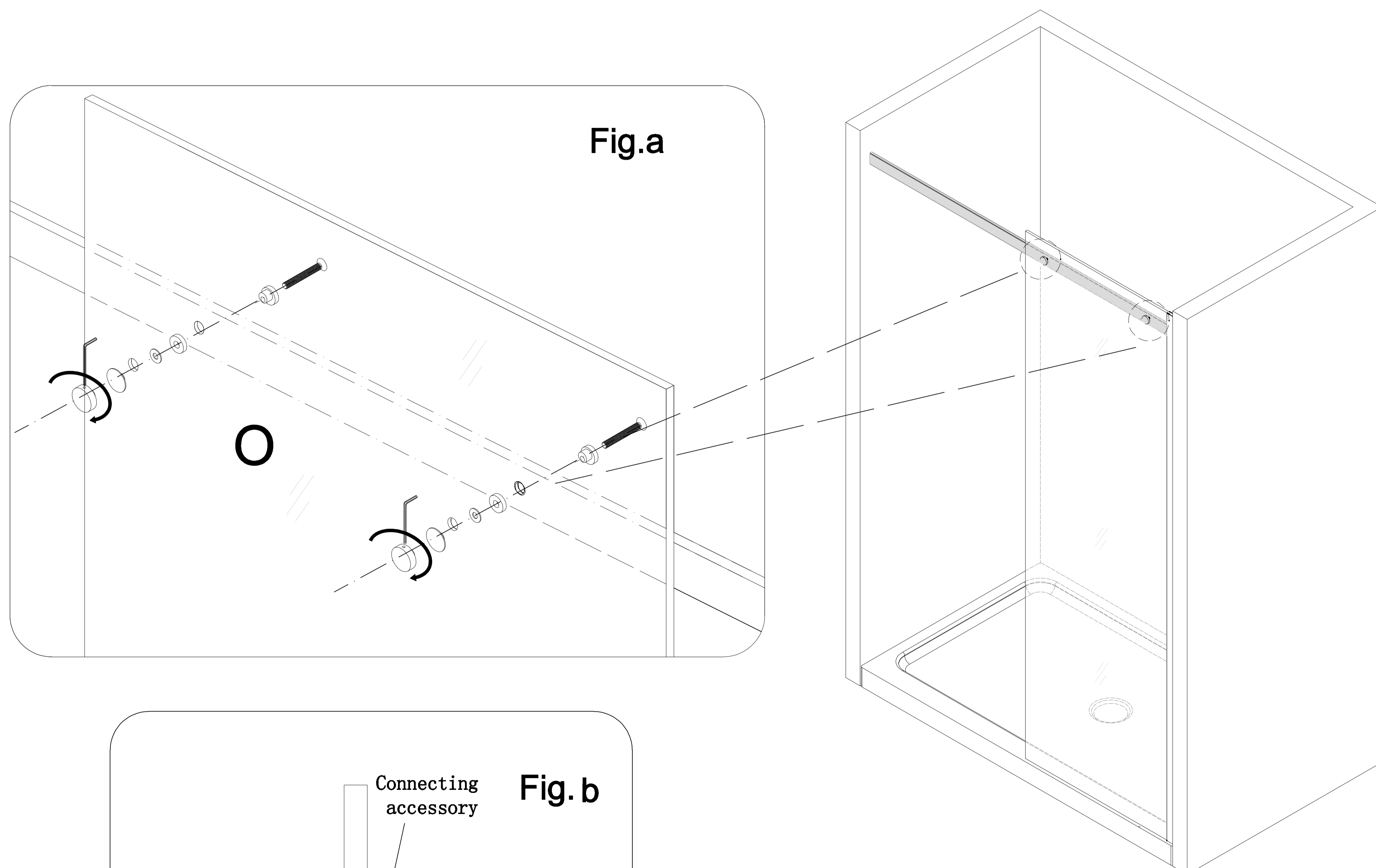
Left Hand Assembly



The stationary glass(O) is installed on the outside of the shower room



Right Hand Assembly

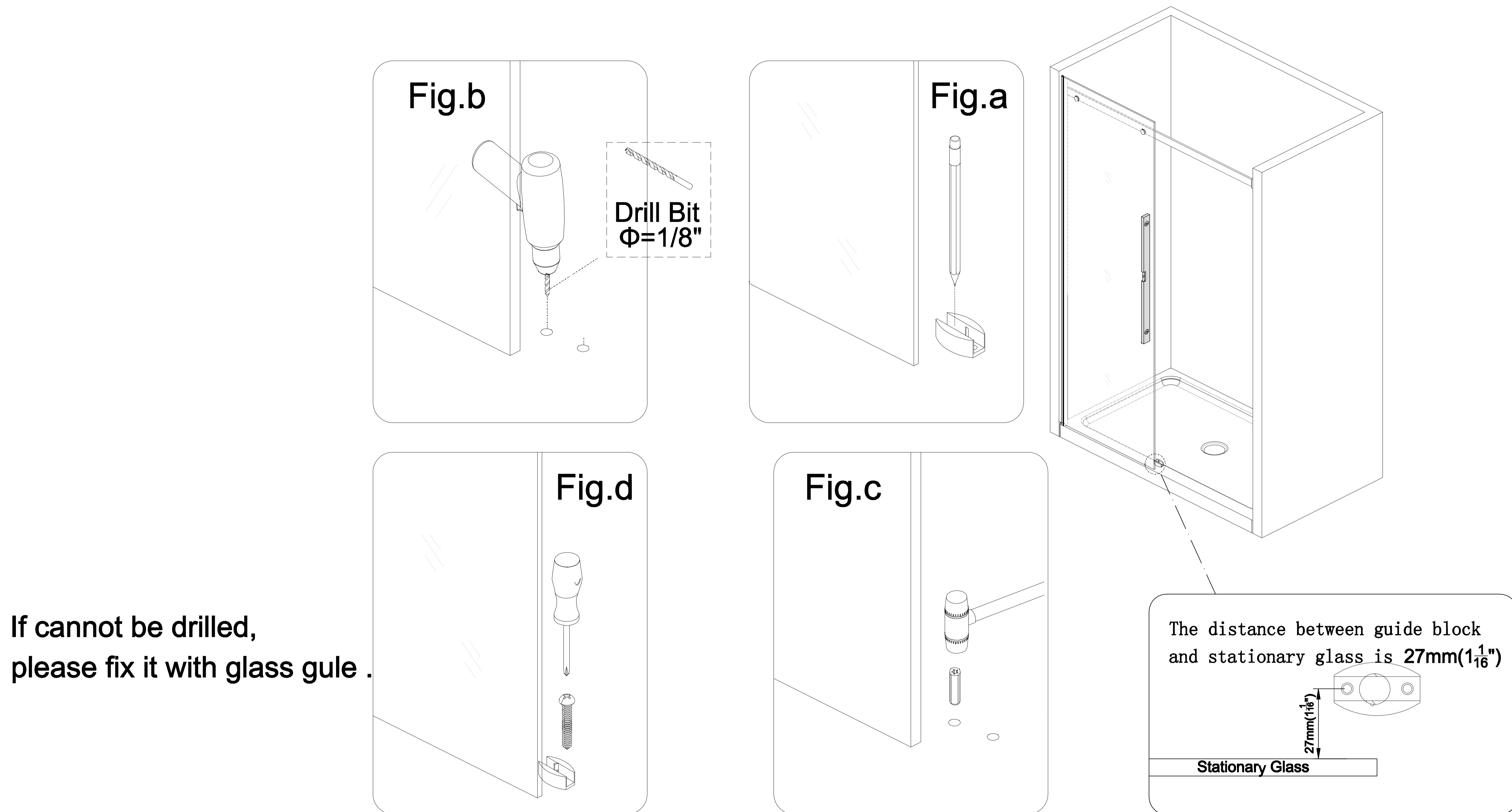


The stationary glass(O) is installed on the outside of the shower room

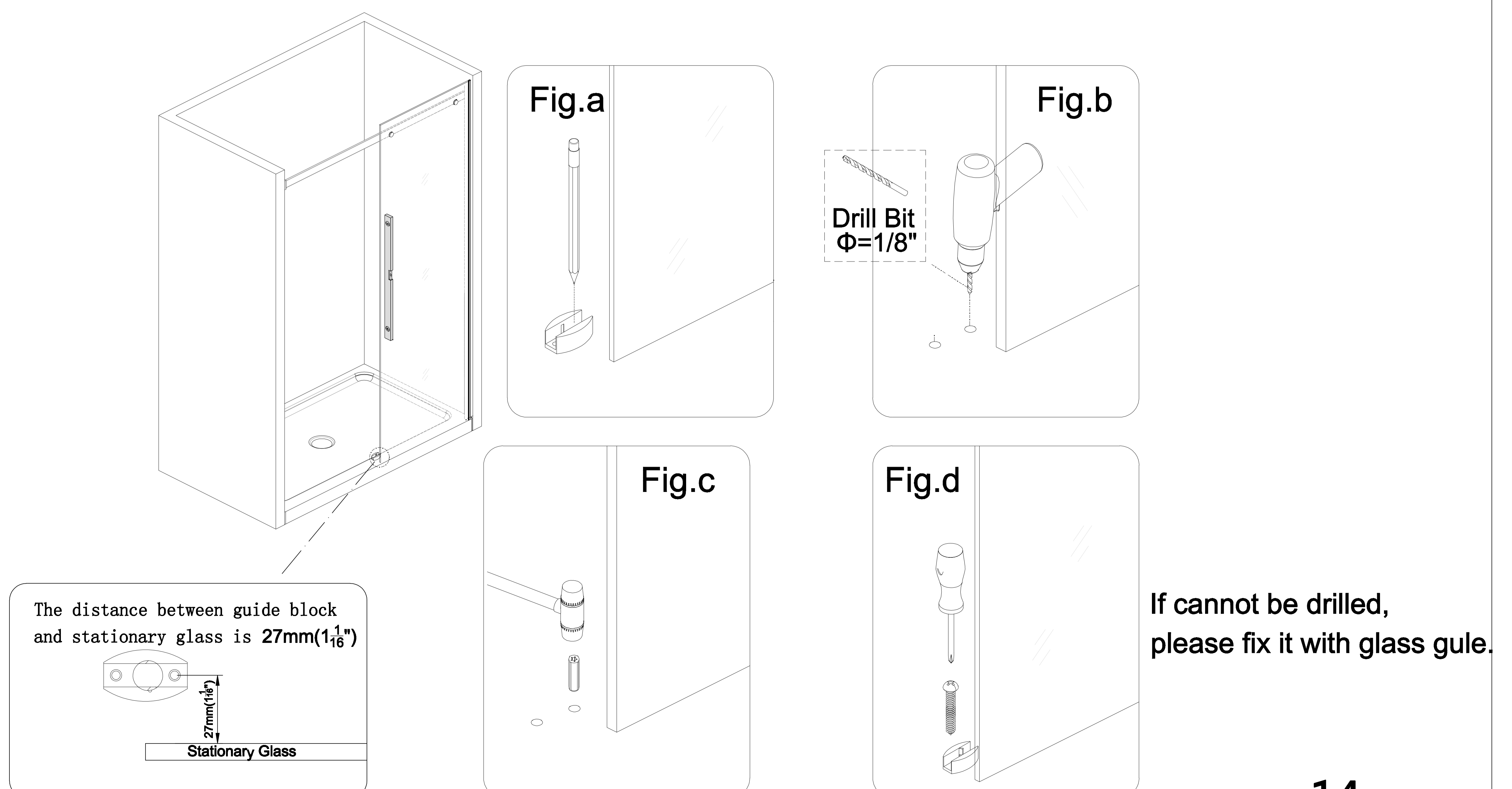
6 Guide Block (A) Installation

1. Place guide block(A) on the side of the stationary glass, and mark it on the ground .
2. Drill two $\phi 1/8"$ (3.2mm) holes. Attach the Guide Block(A) using ST4 x 30 Screws as Fig.b;
3. Inject colloidal particles into the hole , as shown in Figure c;
4. Secure the guide block(A) with screws, as shown in Figure d.

Left Hand Assembly



Right Hand Assembly



7 Glass Door (E) Installation

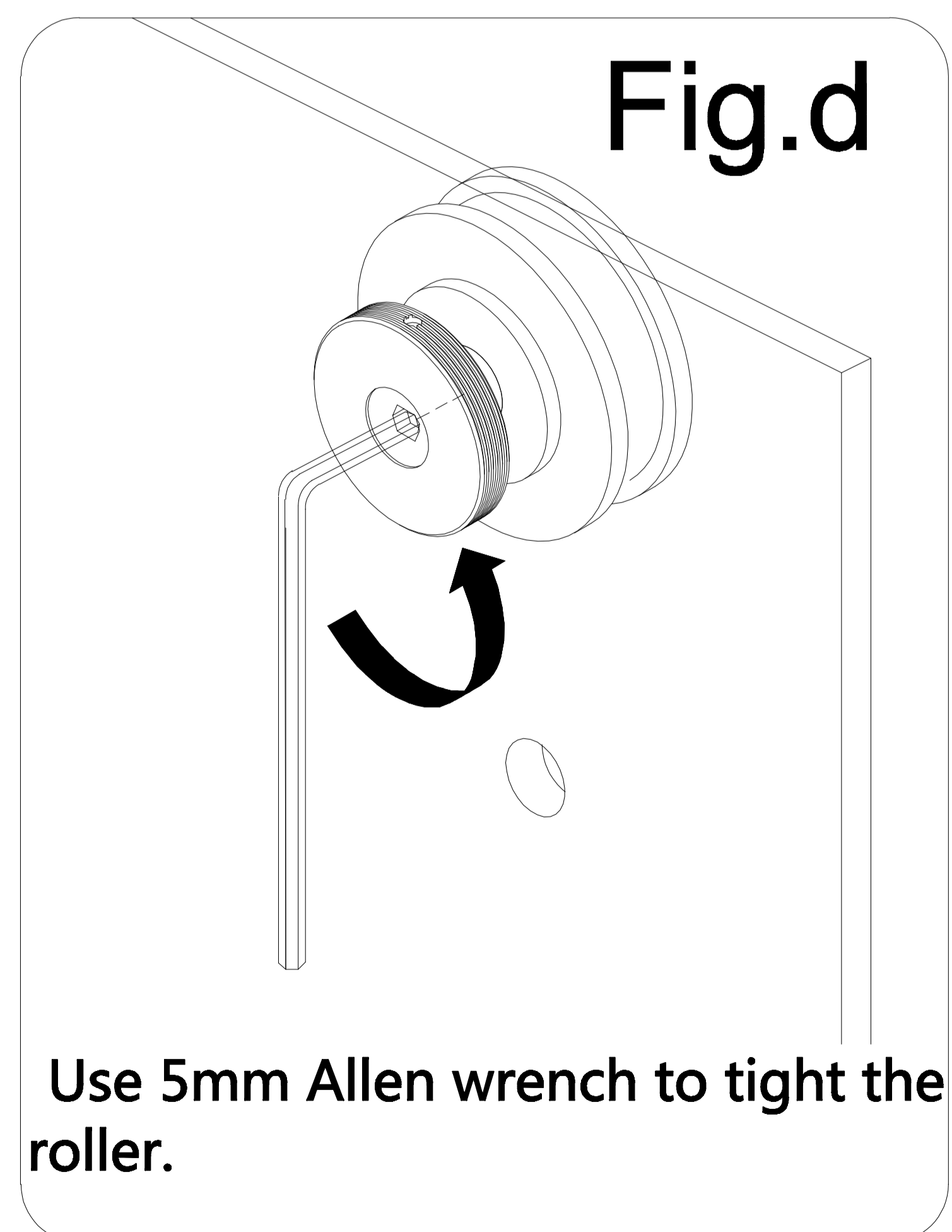
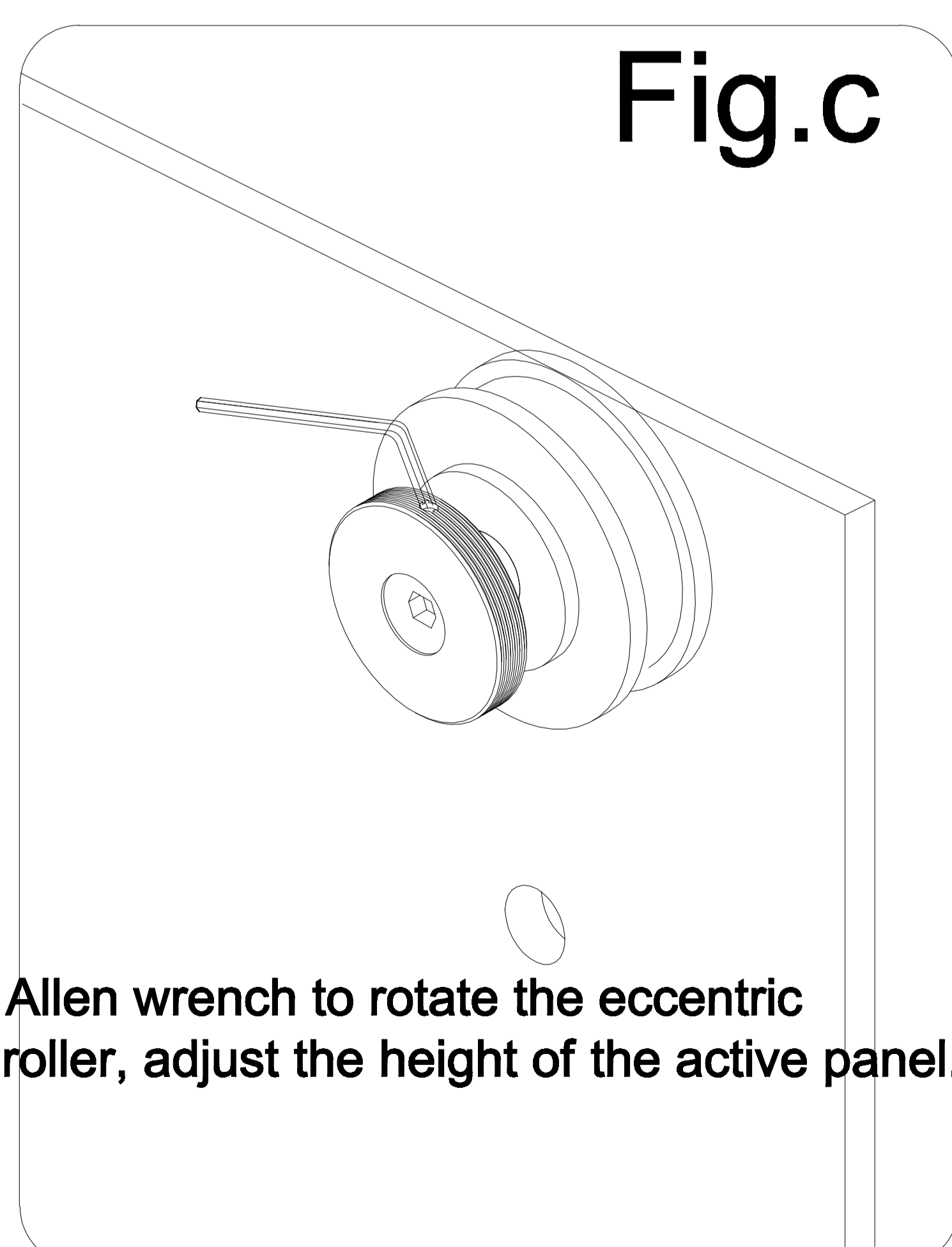
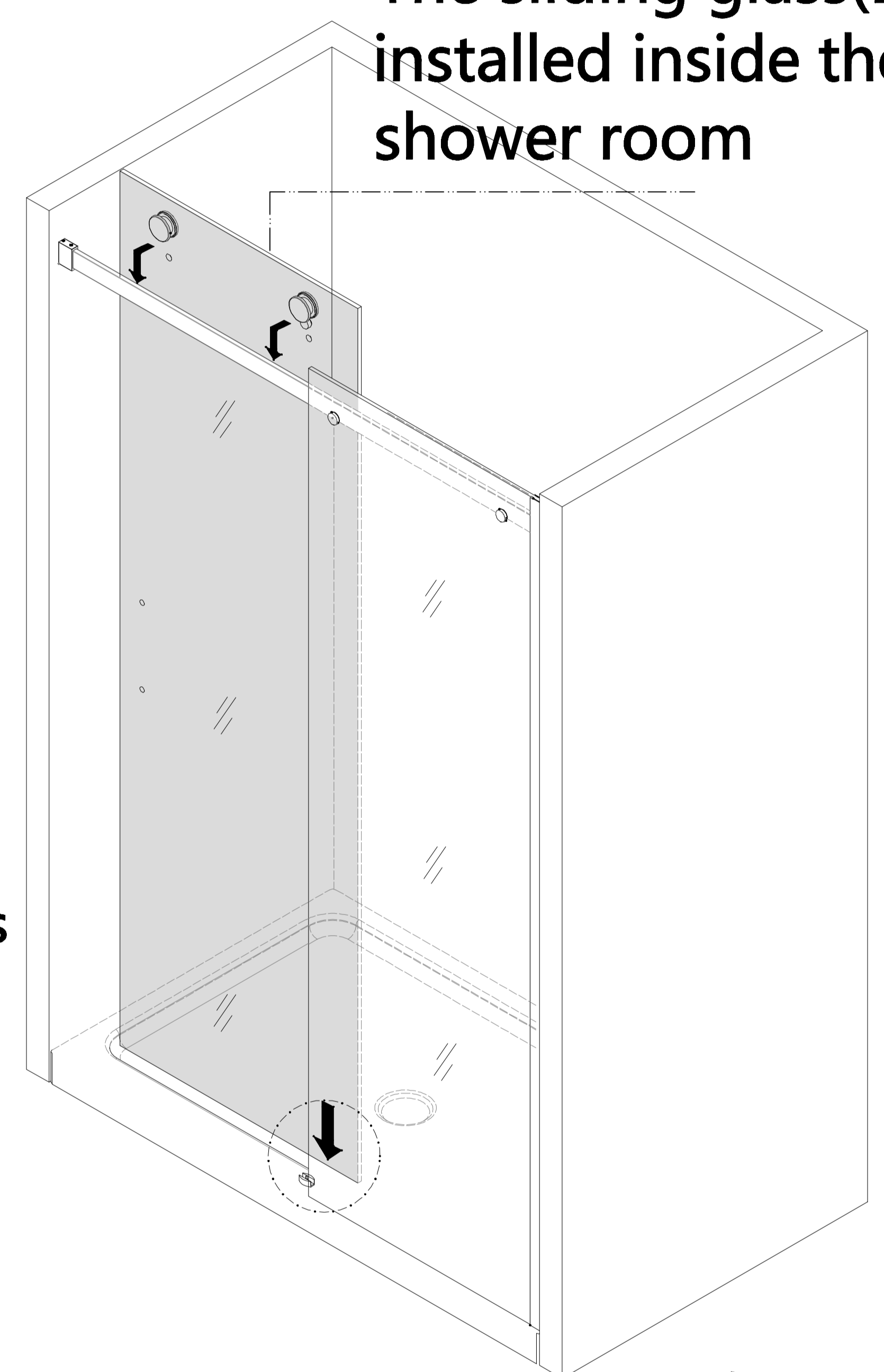
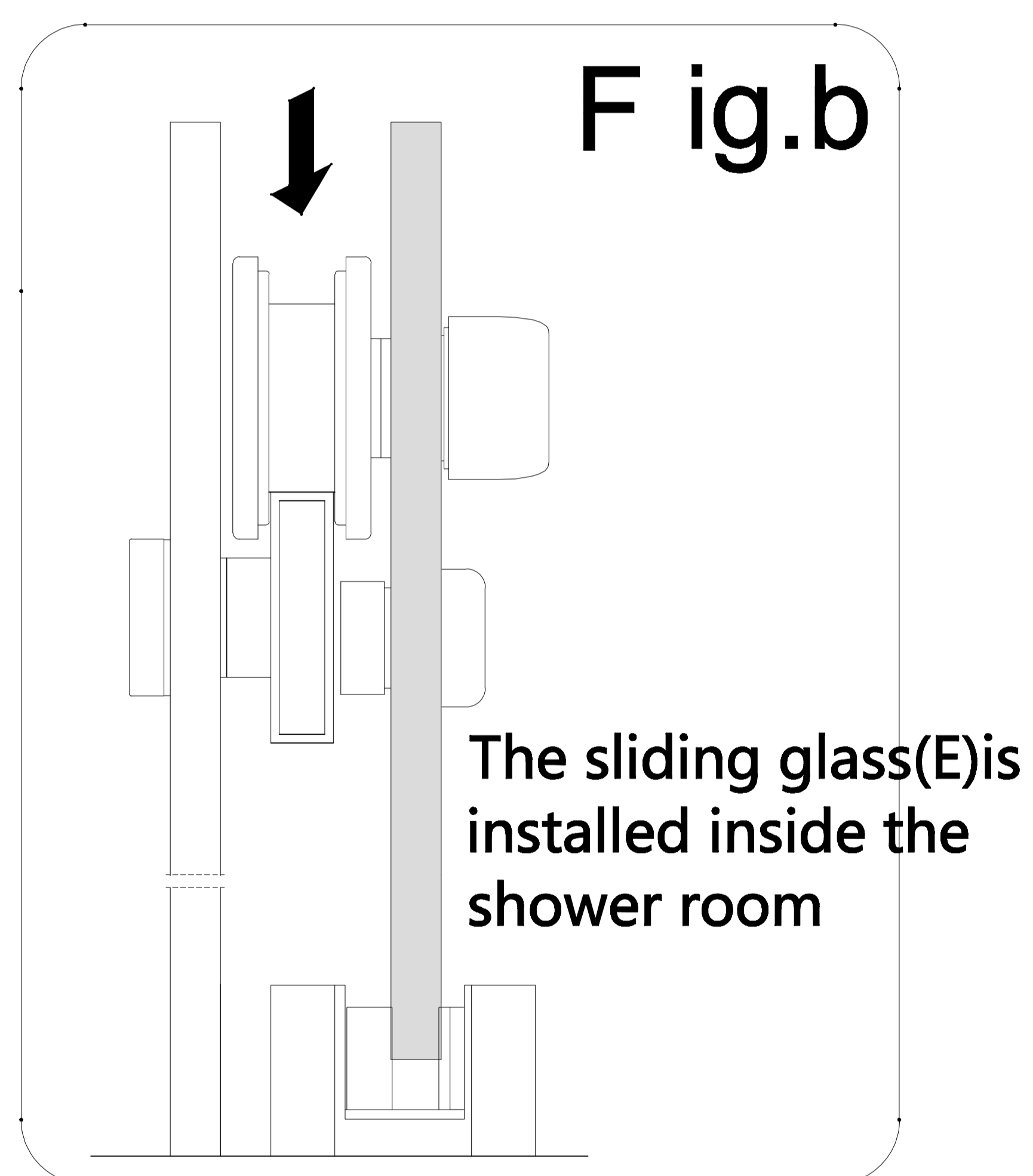
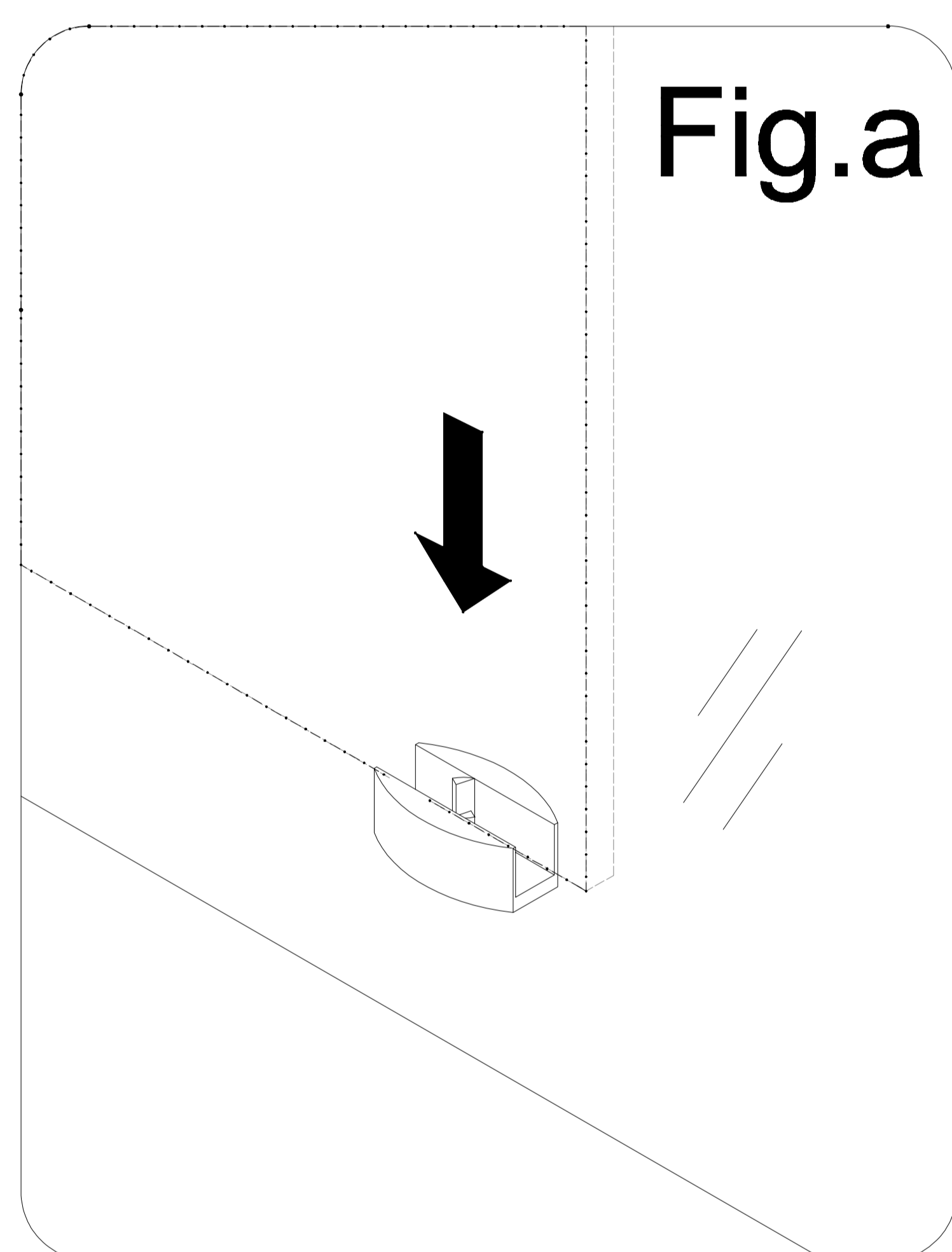
DO NOT install the handle on the glass until instructed.

DO NOT lift the glass using the handle;

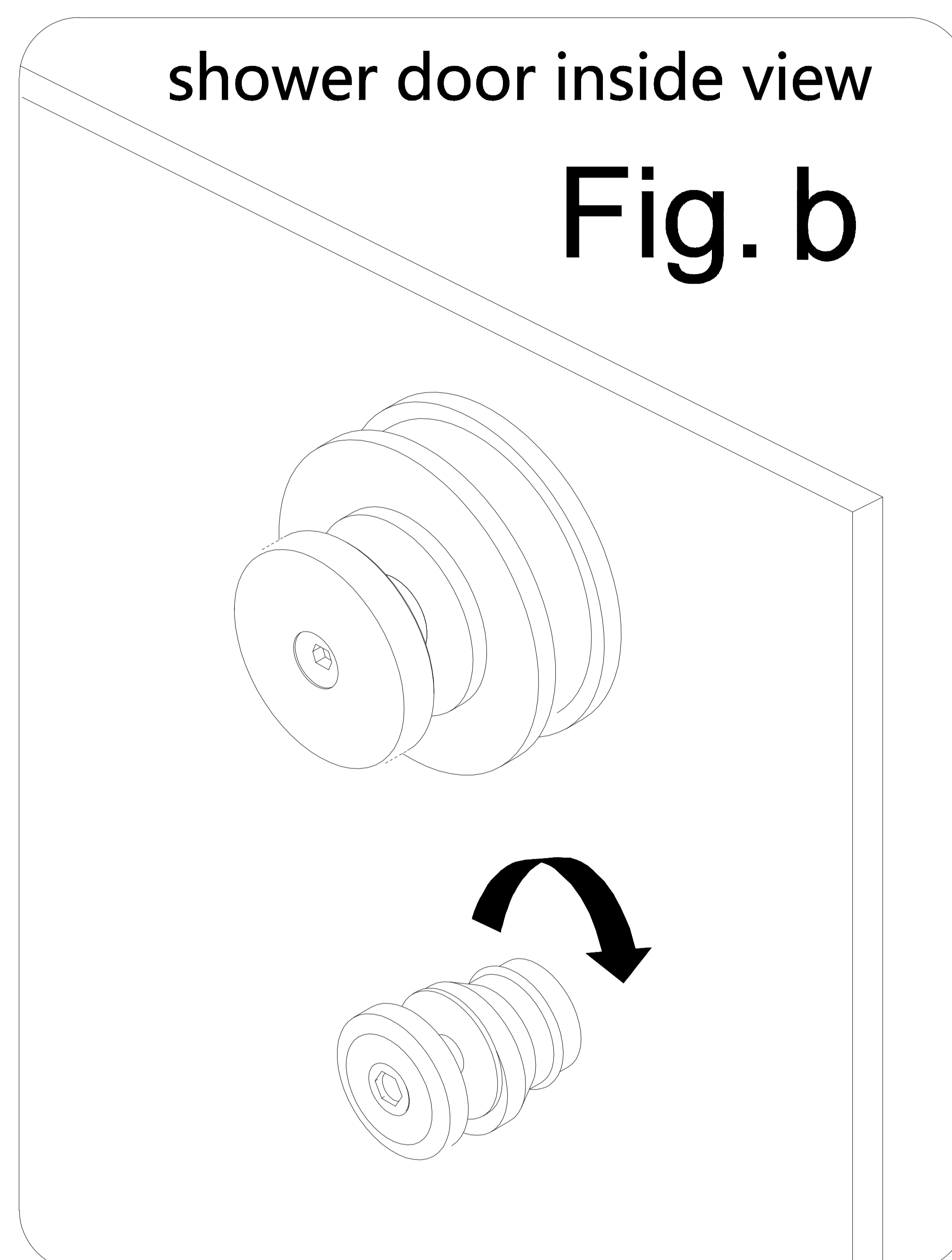
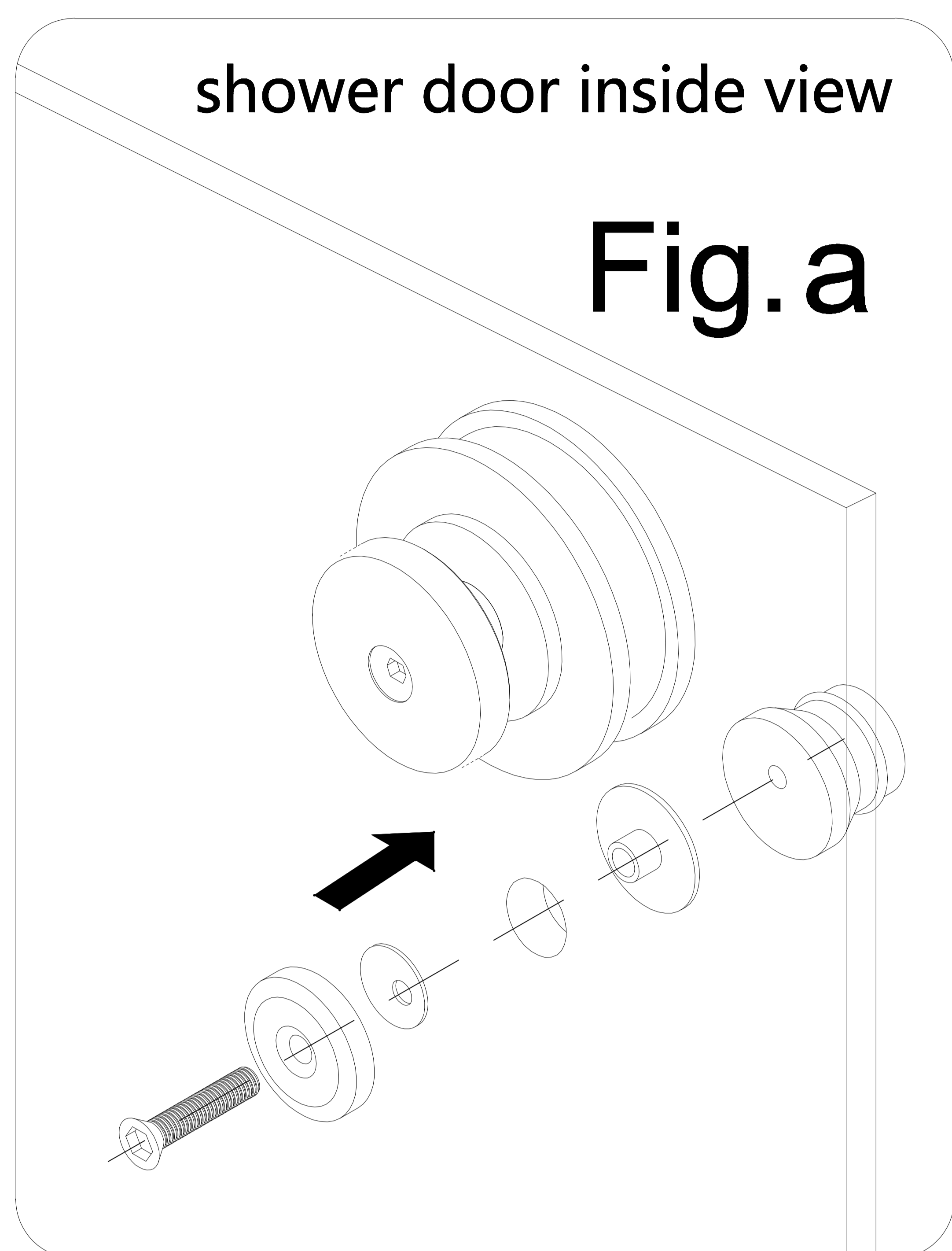
1. Insert the **Glass Door(E)** into the **Guide Block(A)** as Fig.a;
2. **From inside of enclosure,with assistance from another capable person , carefully hang sliding Glass Door(E) and Roller(I) onto Upper Guide Rail(K) as Fig. b;**
3. **As shown in figures C and D,the high of active glass can be adjusted.**

CAUTION: When cutting or drilling metal components or when handling glass, to reduce the risk of personal injury, protective eye wear, gloves, and closed-toe shoes are required

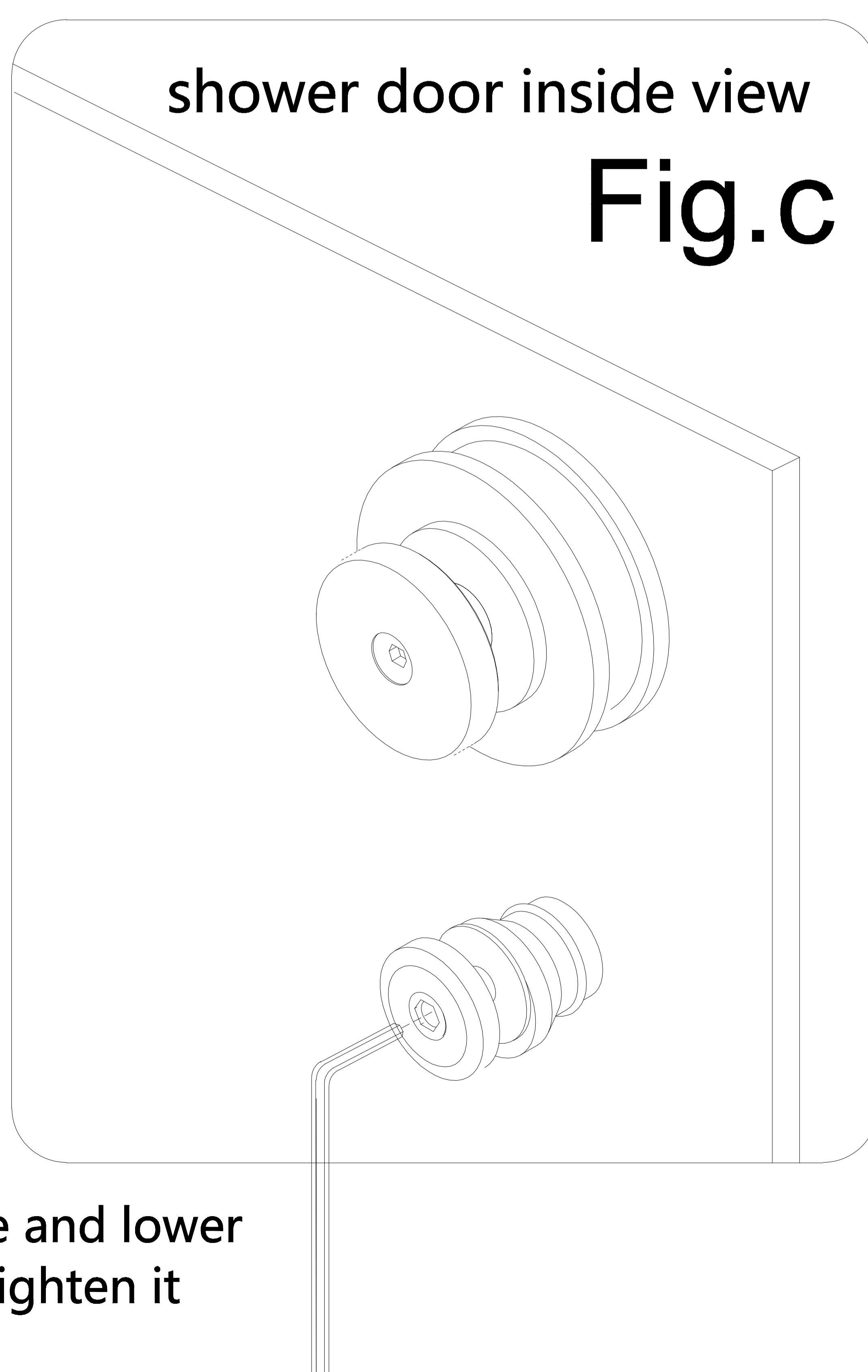
The sliding glass(E)is installed inside the shower room



8 Anti jumping parts (H) Installation



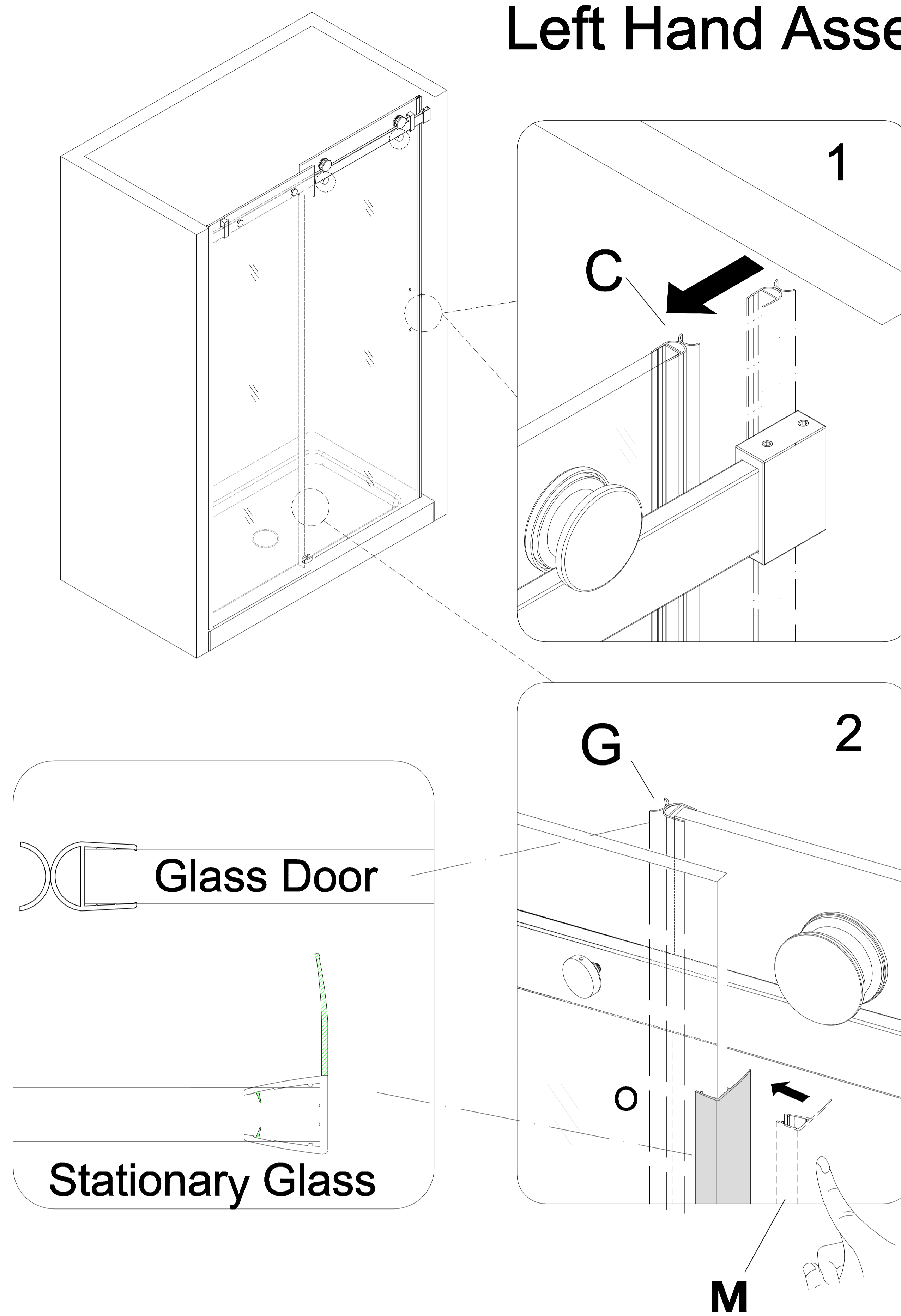
Rotate the external fixing seat to adjust the raise and lower



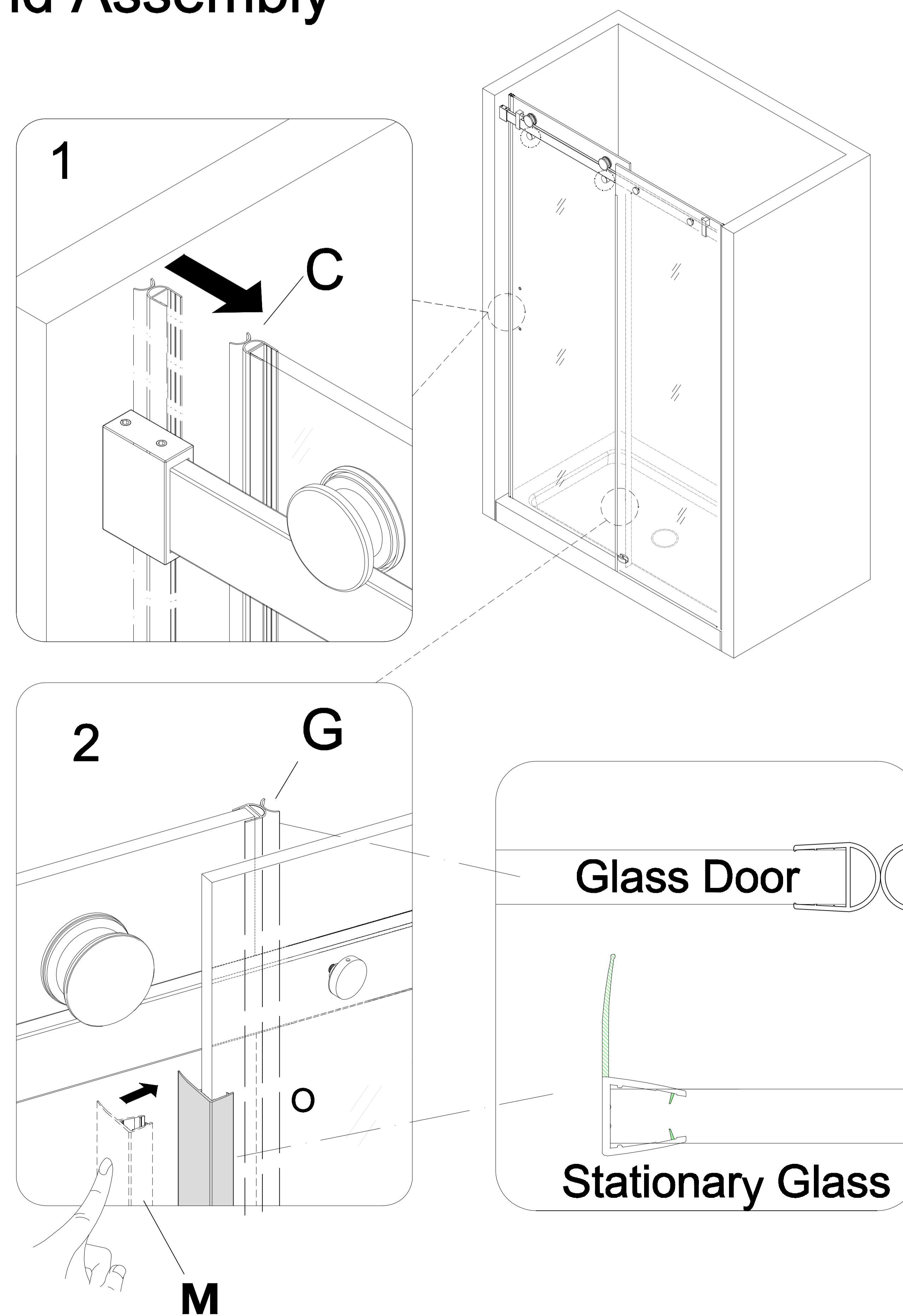
After adjusting the raise and lower of external fixing seat, tighten it with the Allen wrench

9 Magnetic Strip and Anti-Water Strip Installation

Left Hand Assembly

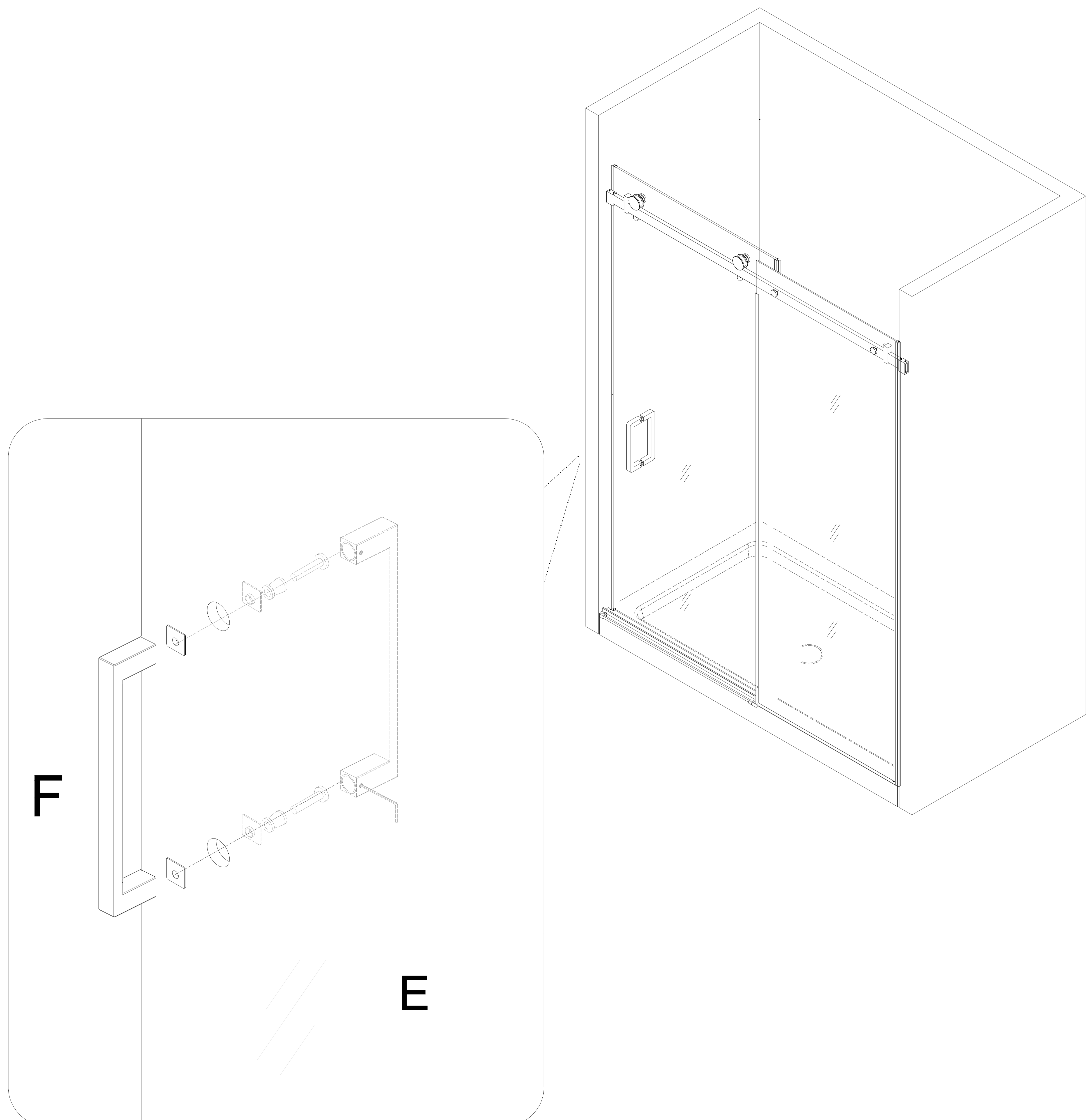


Right Hand Assembly



10 Handle(F) Installation

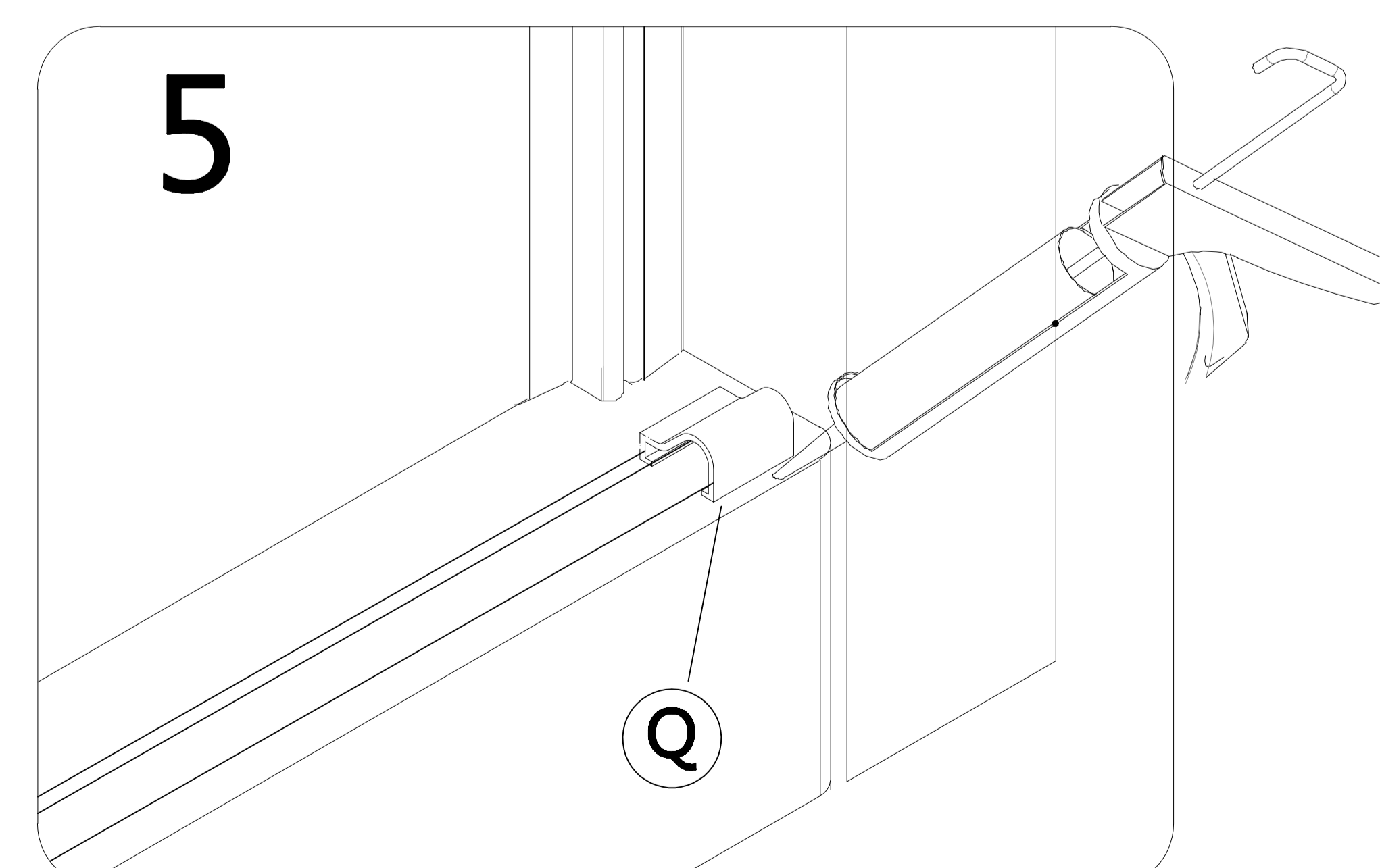
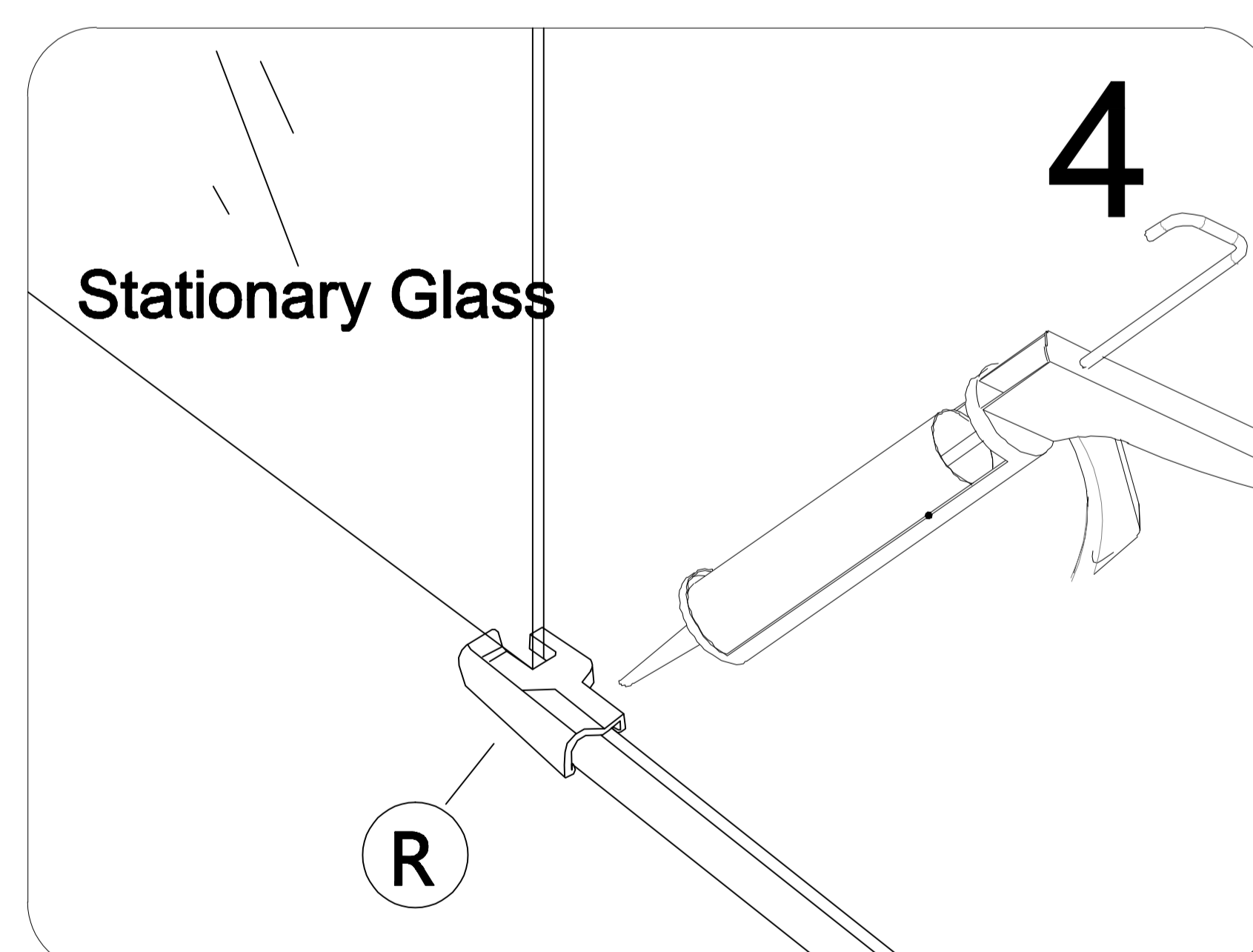
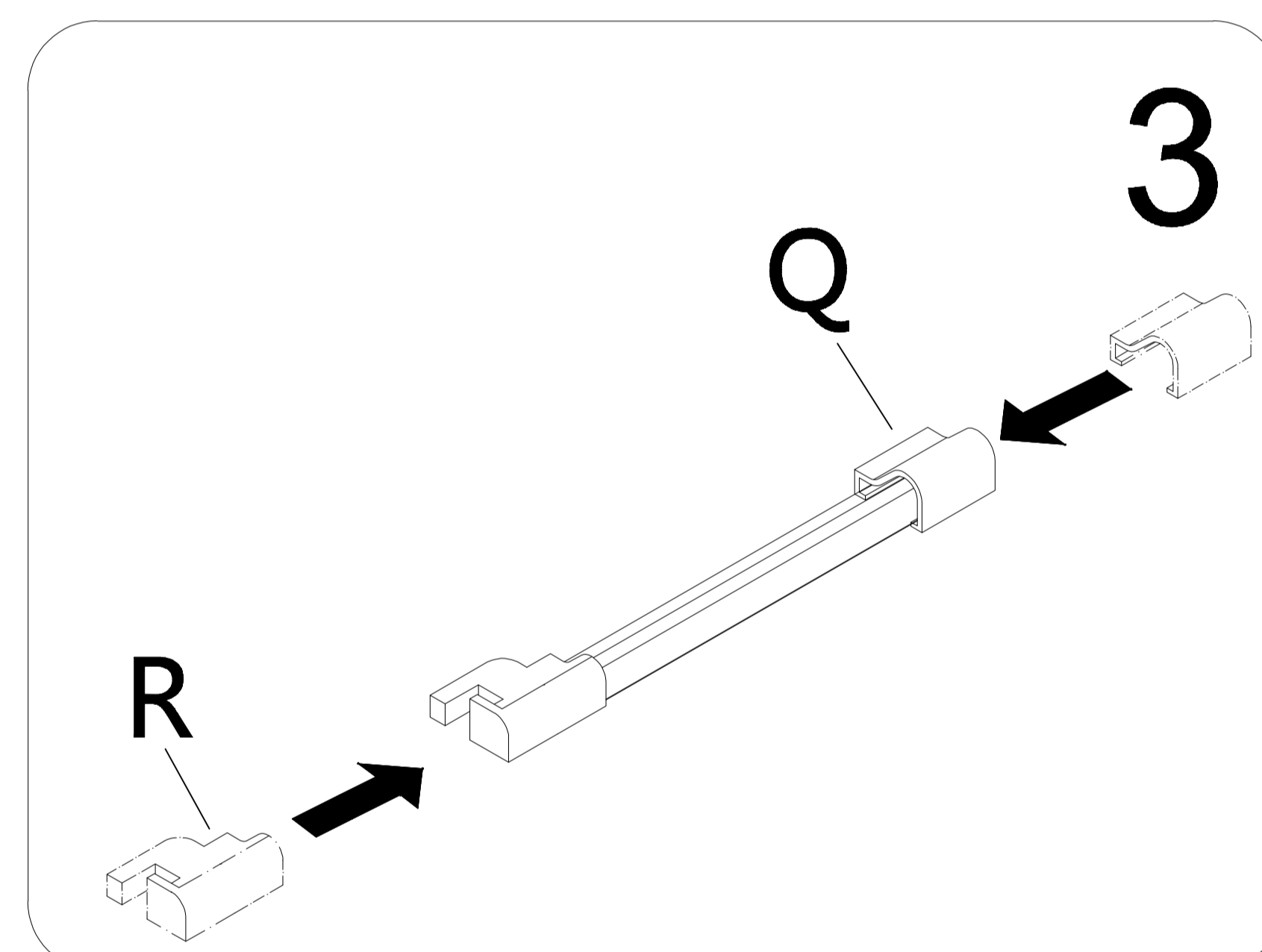
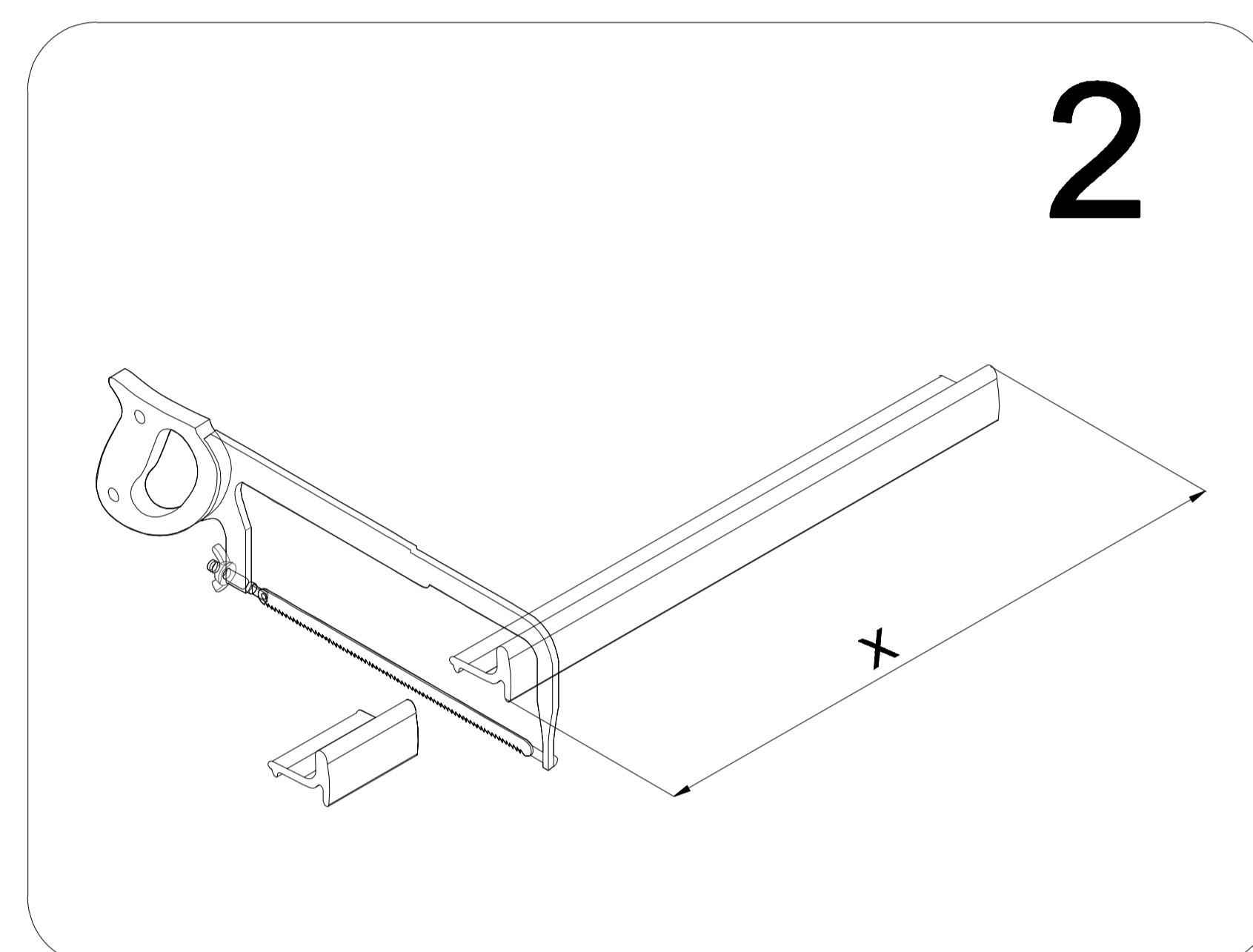
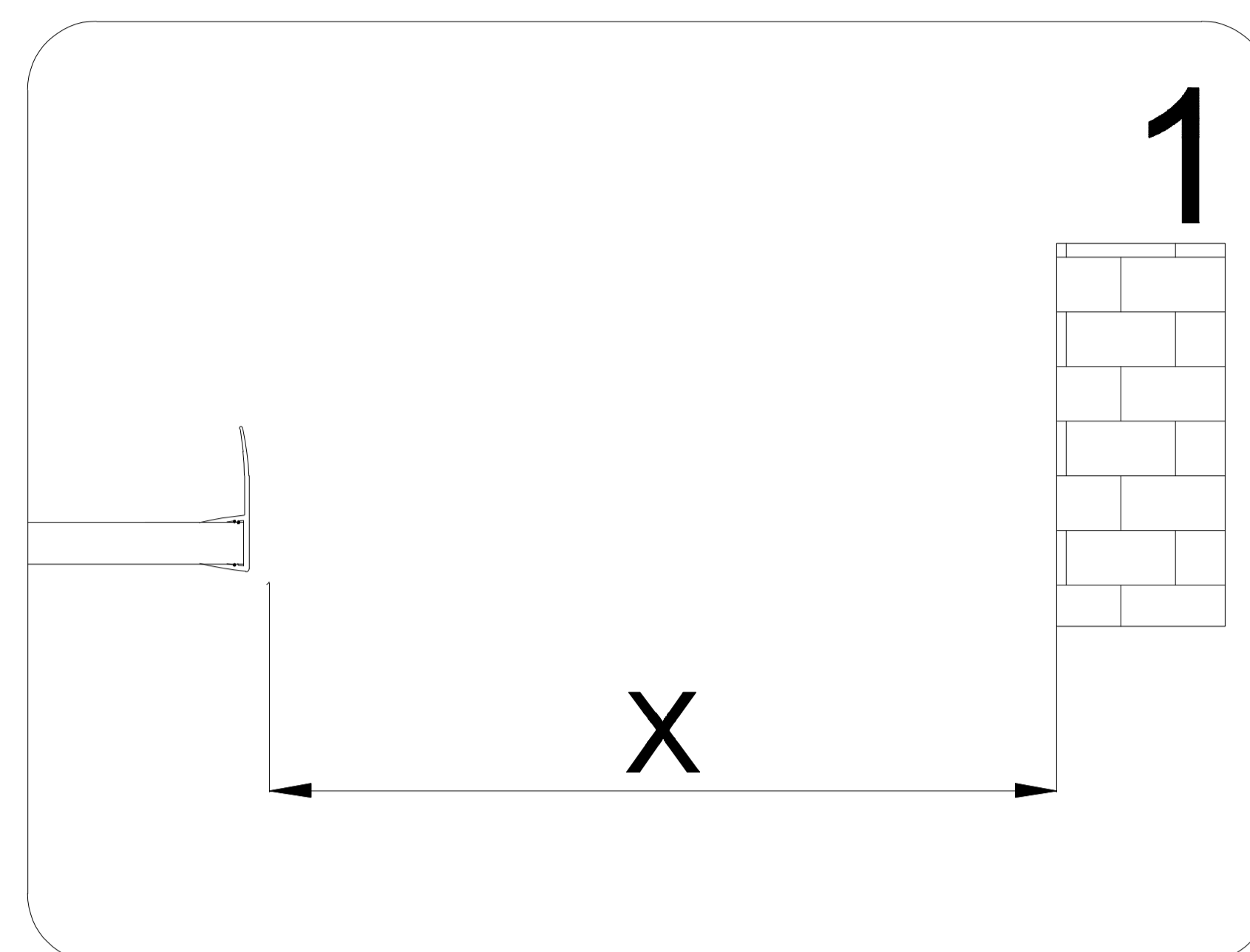
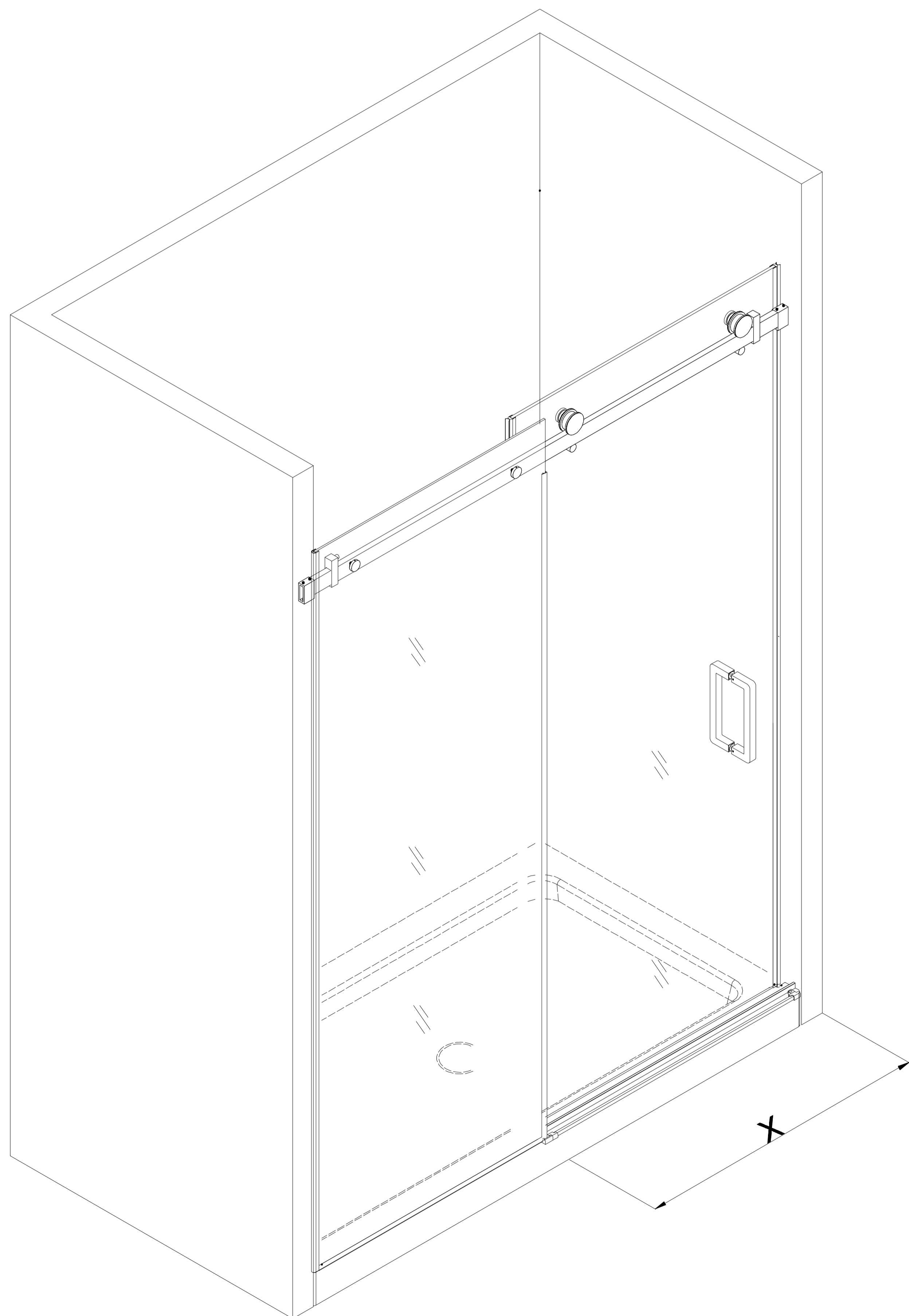
Attach the **Handle (F)** to the **Glass Door (E)** . Be sure to use all of the supplied rubber gaskets to protect the glass.



Left Hand Assembly

11-1 Threshold installtion (B)

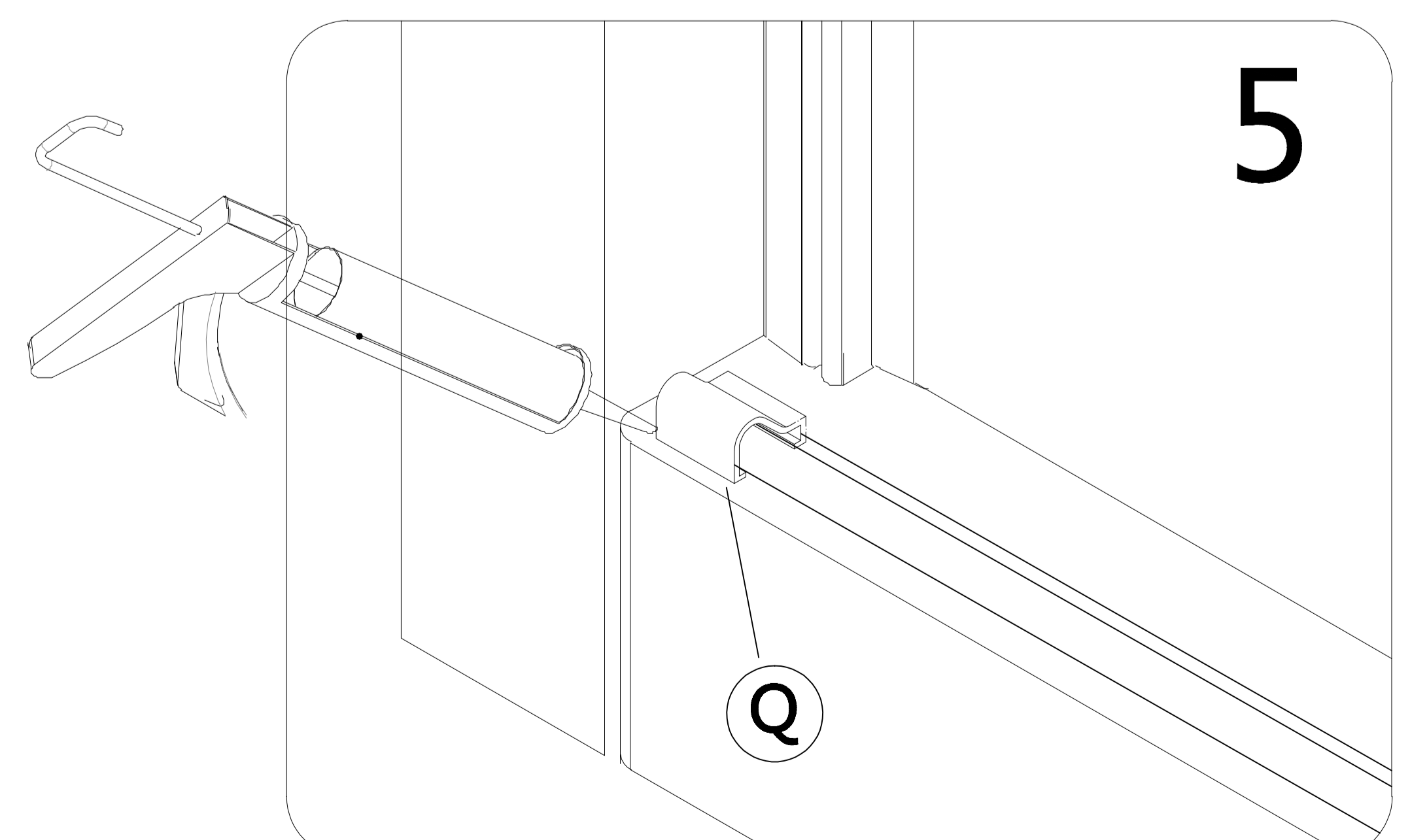
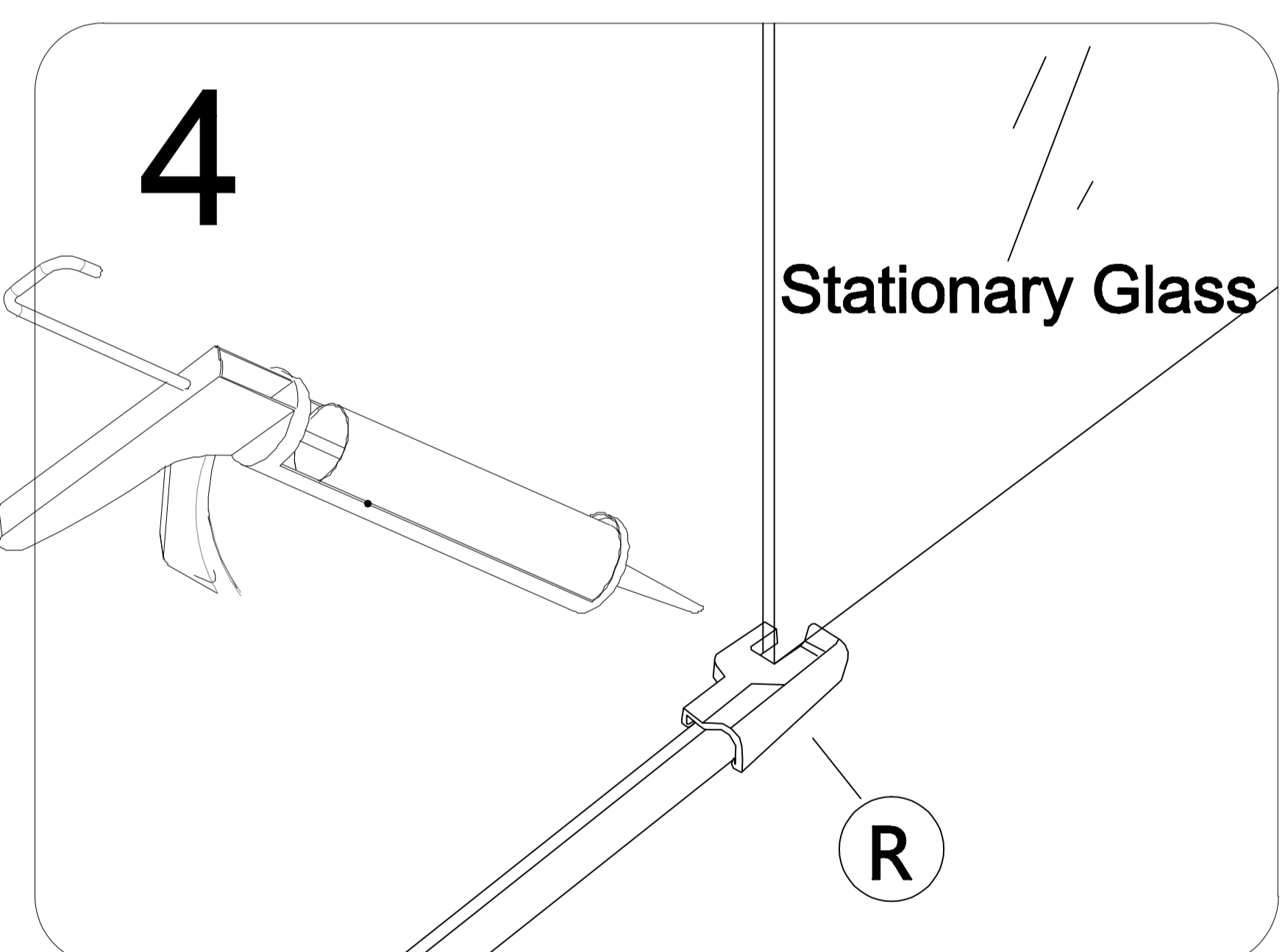
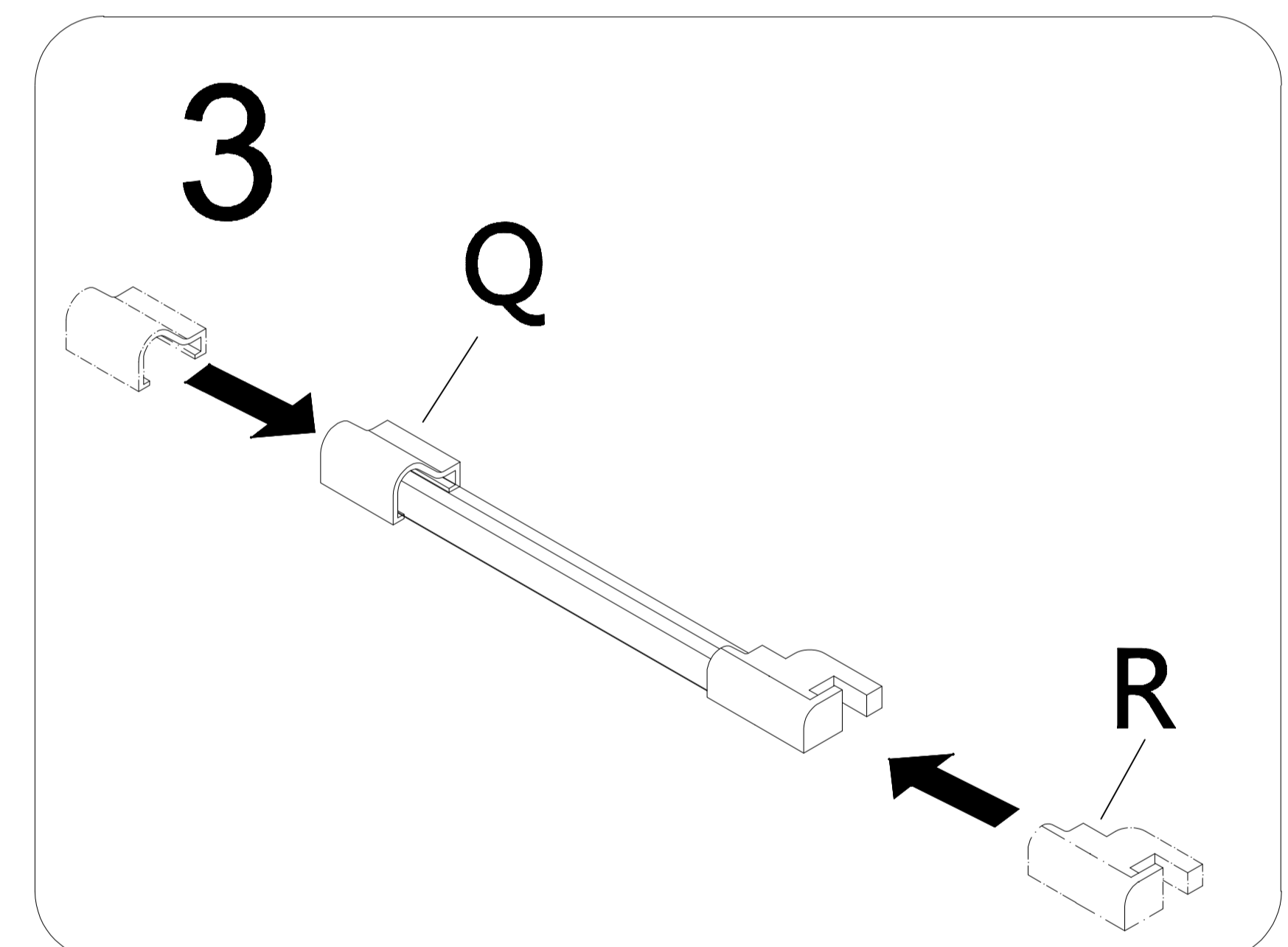
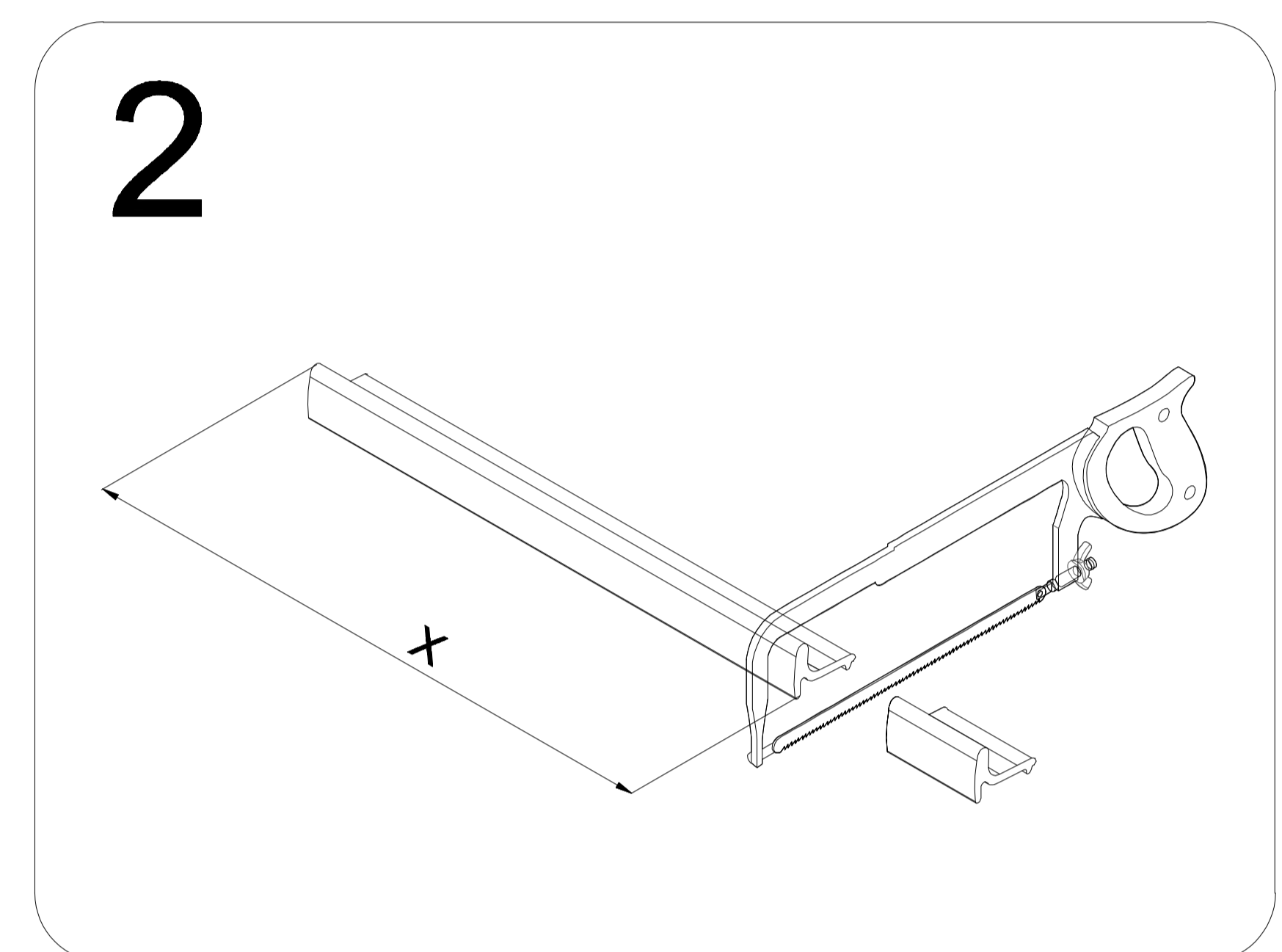
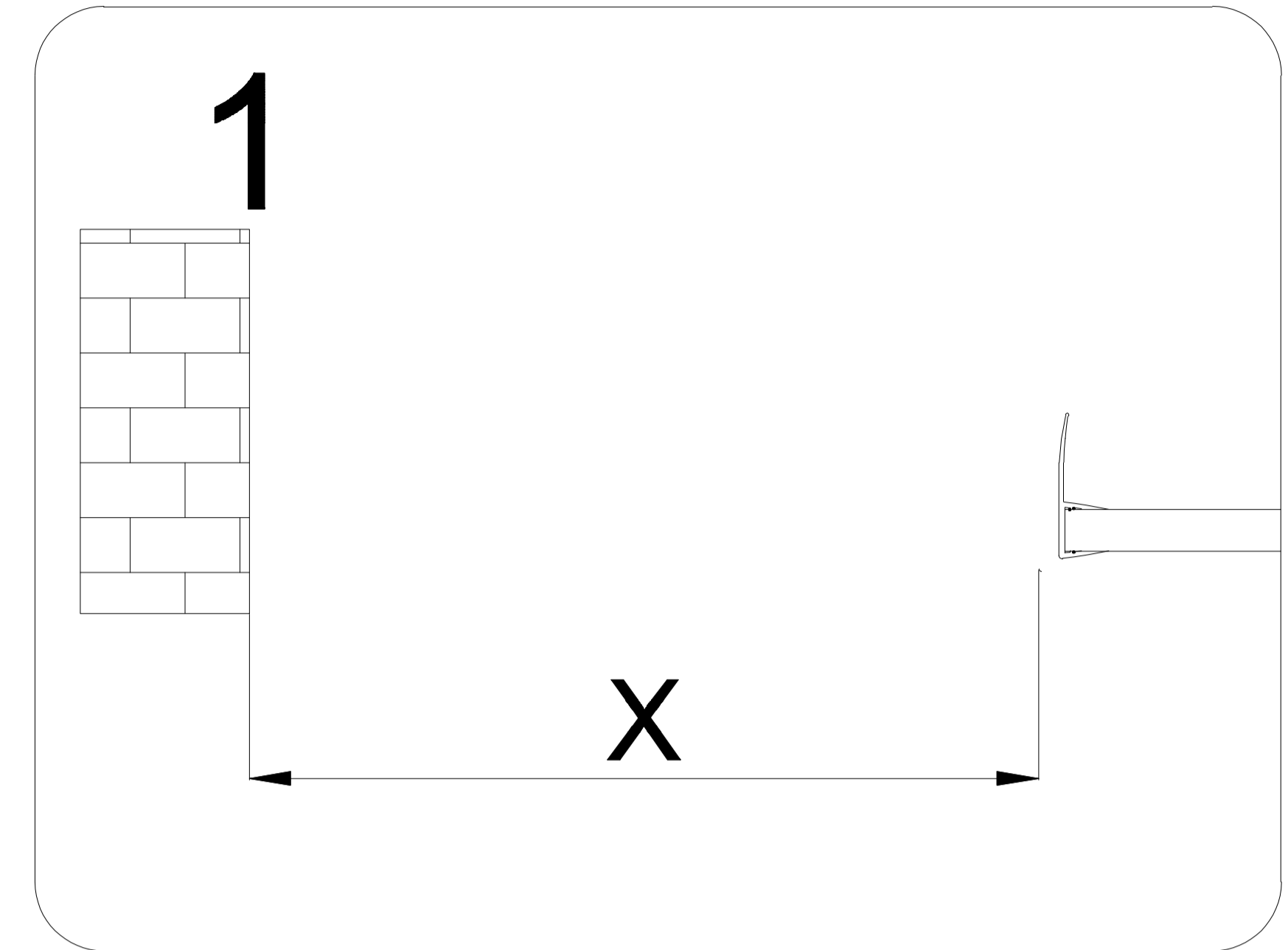
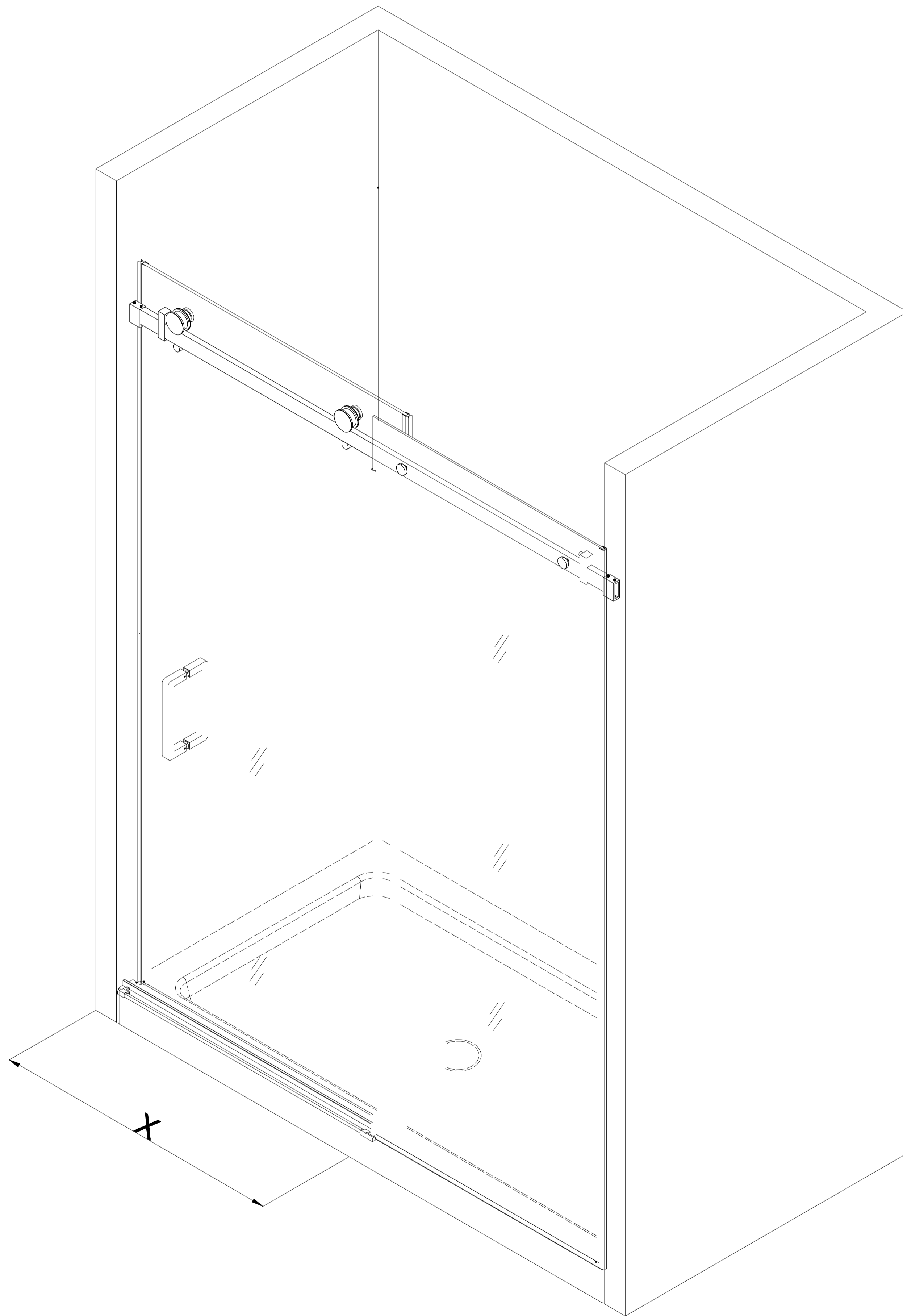
1. Measure "x" , "x" is the diatance from the right side of the stationary glass to the right side of the wall.
2. According to the value of "x" to cut the threshold (B).
3. Insert accessories (Q) and (R) into the threshold (B).
4. Insert the threshold into the lower right corner of the stationary glass and secure it with glass gule.
5. Secure accessory (Q) with glass gule.



Right Hand Assembly

11-2 Threshold installtion (B)

1. Measure "x" , "x" is the diatance from the left side of the stationary glass to the left side of the wall.
2. According to the value of "x" to cut the threshold (B) .
3. Insert accessories (Q) and (R) into the threshold (B) .
4. Insert the threshold into the lower left corner of the stationary glass and secure it with glass gule.
5. Secure accessory (Q) with glass gule.



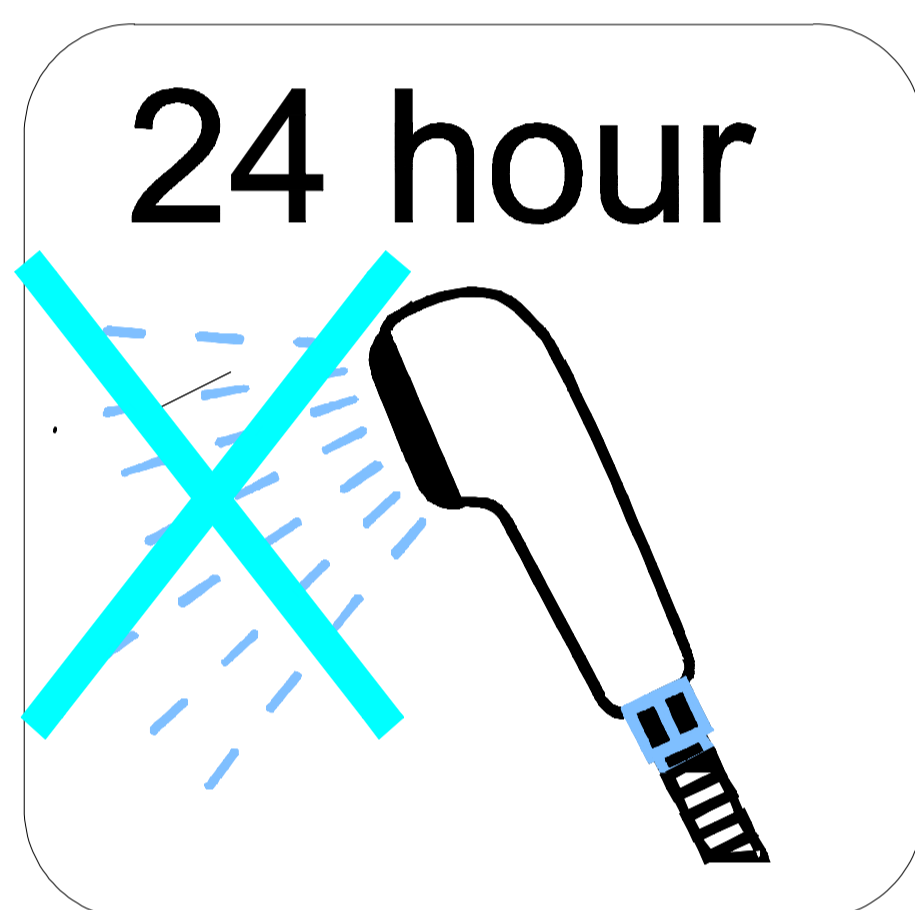
12 SEALING

! The surfaces need to be clean and free of debris before applying silicone.

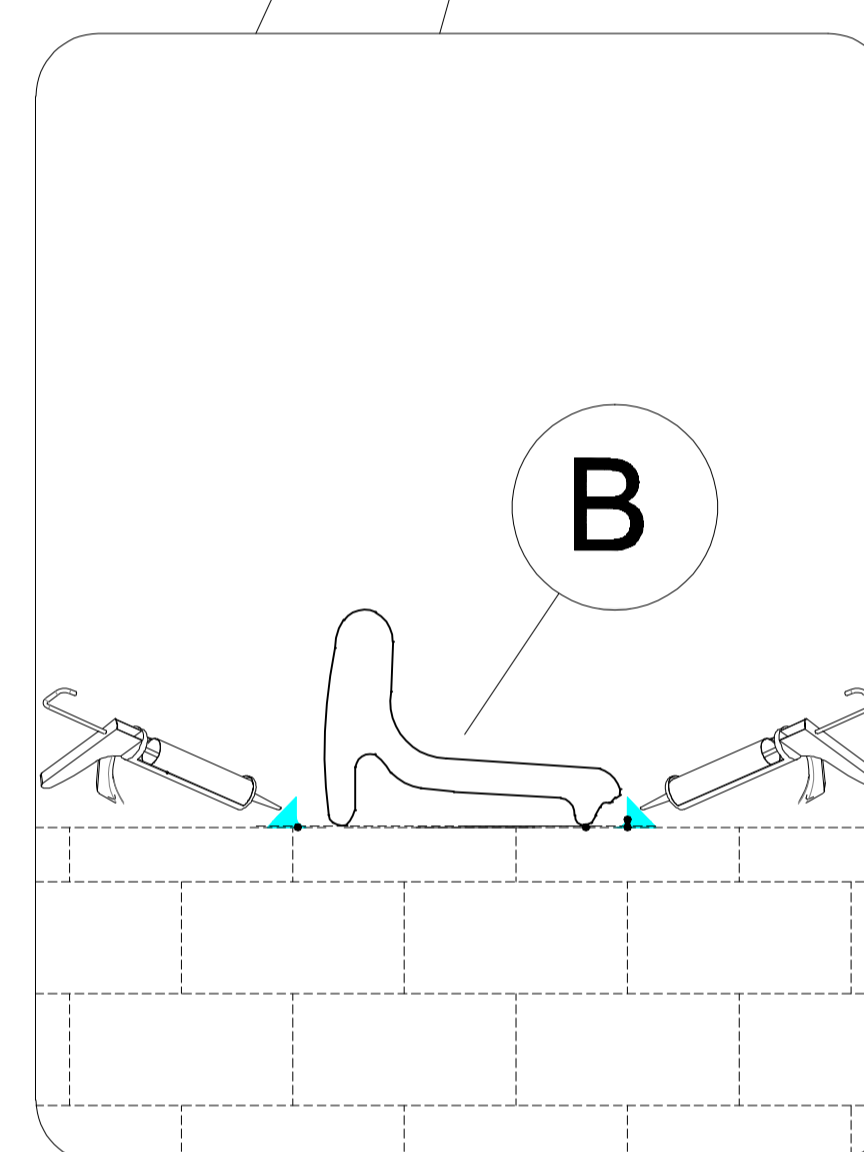
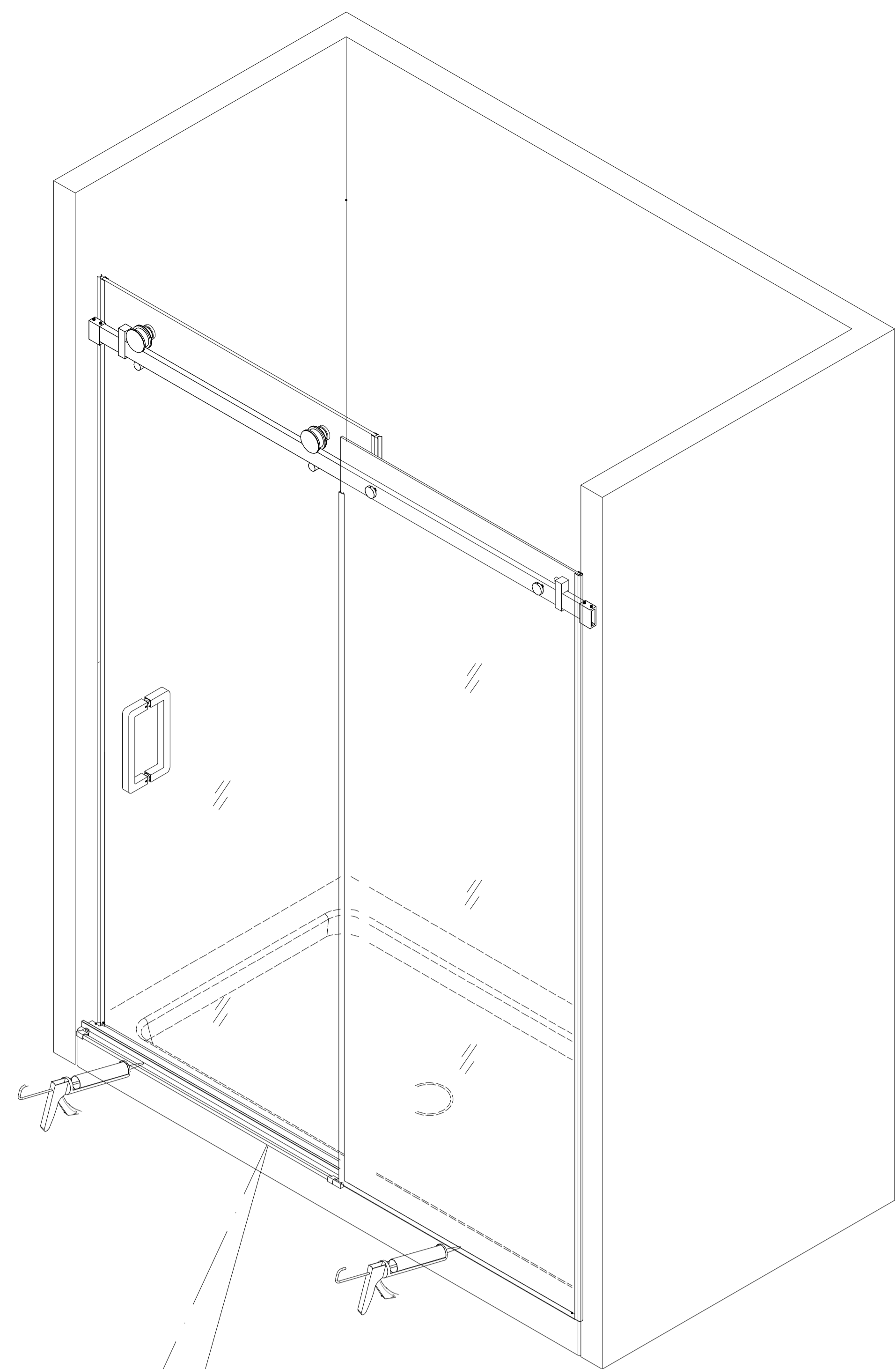
Ensure that the Shower door closes tightly and opens smoothly.

Apply a good quality silicone sealant along the Threshold (B) and bottom of Stationary Glass(O) and Waterproof strip(N).

! Allow 24 hours for the silicone to cure before using the shower.



! Apply Silicone Sealant, (not supplied).



Apply silicone around the **Alu. Threshold(B)**.

