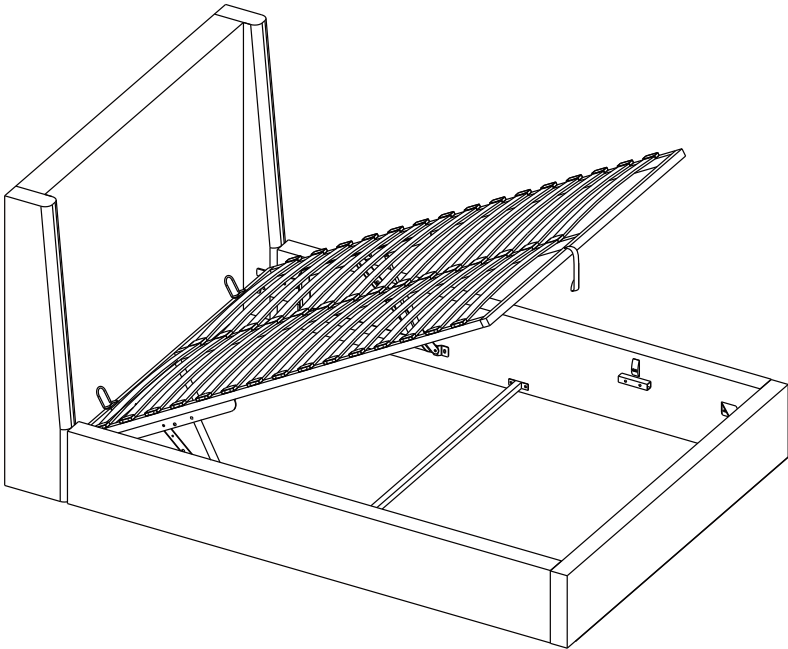


Instruction manual
OTTO OTTOMAN KING BED



CONTENTS

Safety and care advice	1
Components	2
Assembly instructions	4
Copyright	13

⚠ SAFETY AND CARE ADVICE ⚠

PLEASE READ THESE INSTRUCTIONS CAREFULLY AND KEEP FOR FUTURE REFERENCE

- **Warning:** Please lift with care.
- Check you have all the components and tools listed on pages 2 and 3.
- Remove all fittings from the plastic bags and separate them into their groups.
- Keep children and animals away from the work area, small parts could choke if swallowed.
- Make sure you have enough space to lay out the parts before starting.
- Do not stand or put weight on the product, this could cause damage.
- Assemble the item as close to its final position (in the same room) as possible.
- Assemble on a soft level surface to avoid damaging the unit or your floor (use opened out unit carton).



- We do not recommend the use of power drill/drivers **for inserting screws**, as this could damage the unit. Only use hand screwdrivers.
- Dispose of all packaging carefully and responsibly.

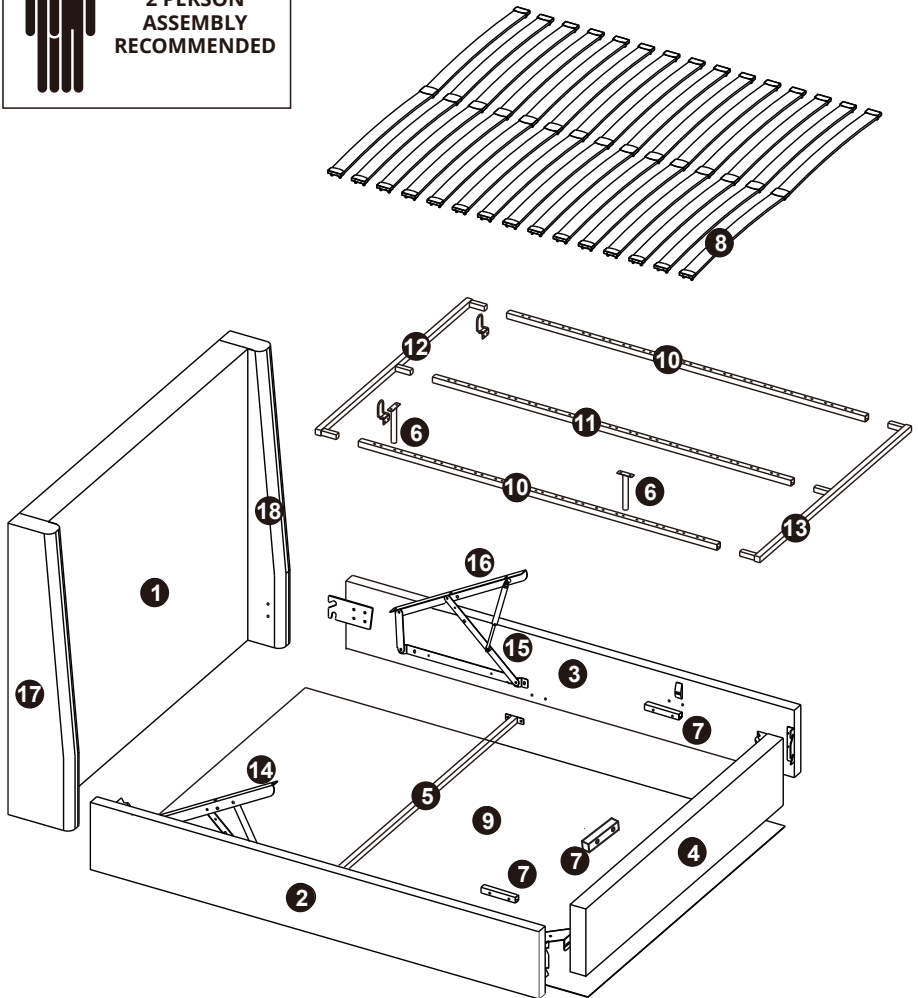
CARE AND MAINTENANCE

- Only clean using a damp cloth and mild detergent, do not use bleach or abrasive cleaners.
- From time to time check that there are no loose screws on this unit.
- This product should not be discarded with household waste. Take to your local authority waste disposal center.

Note *If required the next page can be cut out and used as reference throughout the assembly. Keep this page with these instructions for future reference.*
















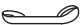


COMPONENTS

Ensure the following components are in the box before proceeding with assembly:



COMPONENTS — FITTINGS

Please check you have all the fittings listed below:

A x 20		M8x25mm
B x 6		M8x45mm
C x 4		M6x15mm
D x 24		M6x20mm
E x 7		M6x45mm
F x 8		M8x16mm
G x 48		∅18x1.0 M8
H x 2		
I x 1		14# M8 Nut SPANNER
J x 30		Side Plastic Cap
K x 15		Center Plastic Cap
L x 4		M8 Nut
M x 1		S-4 Allen Key
N x 1		S-5 Allen Key
O x 2		
P x 1		
Q x 2		
R x 8		∅5x25

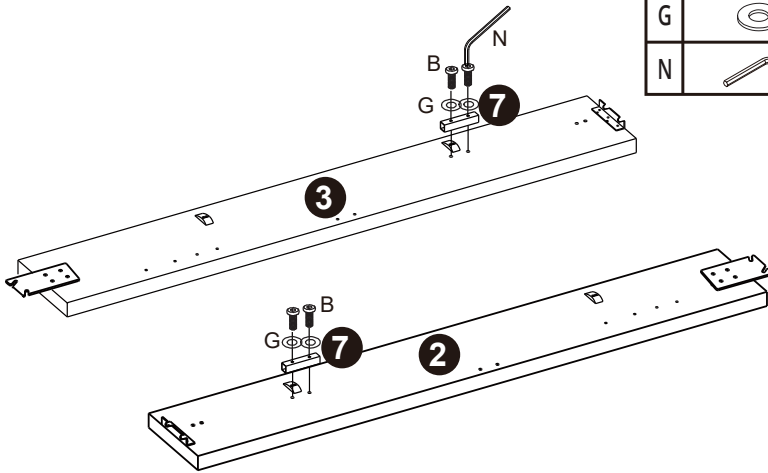
TOOLS NEEDED
(We don't provide)

Phillips Screwdriver x 1



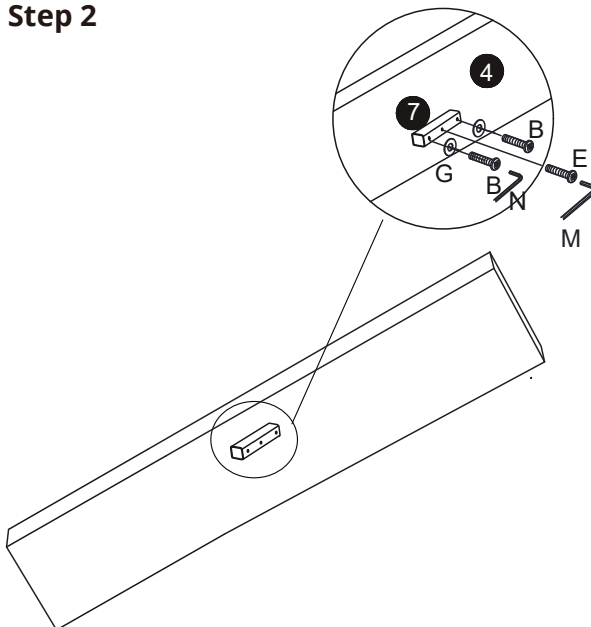
ASSEMBLY INSTRUCTIONS

Step 1



B		4
G		4
N		1




Step 2

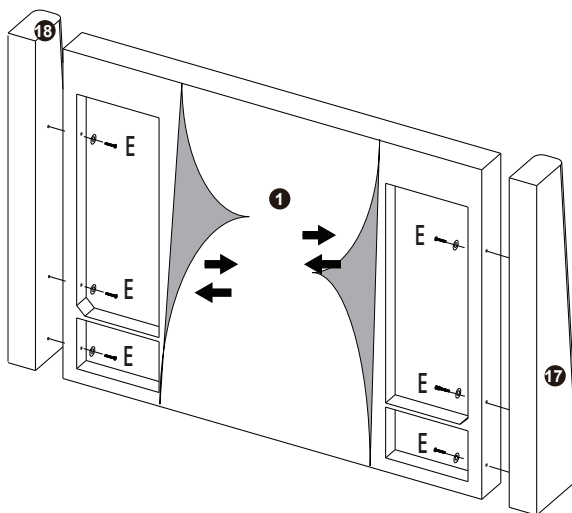


B		2
E		1
G		2
M		1
N		1




ASSEMBLY INSTRUCTIONS

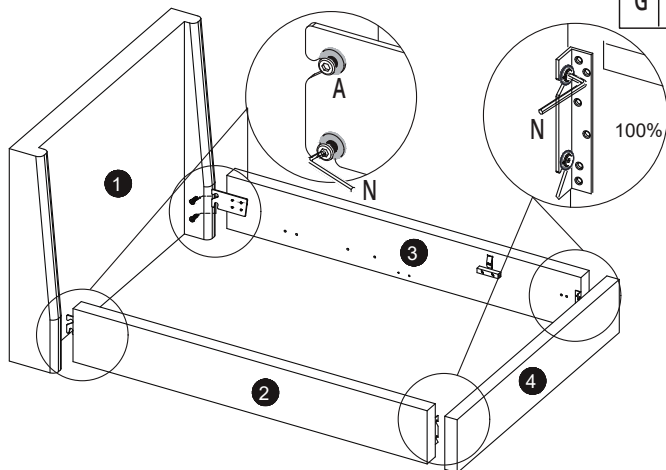
Step 3

E		6
G		6
M		1



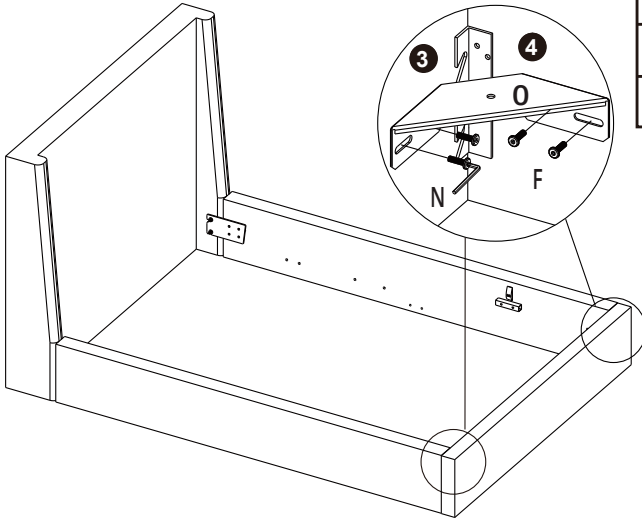
Step 4




A		8
N		1
G		8



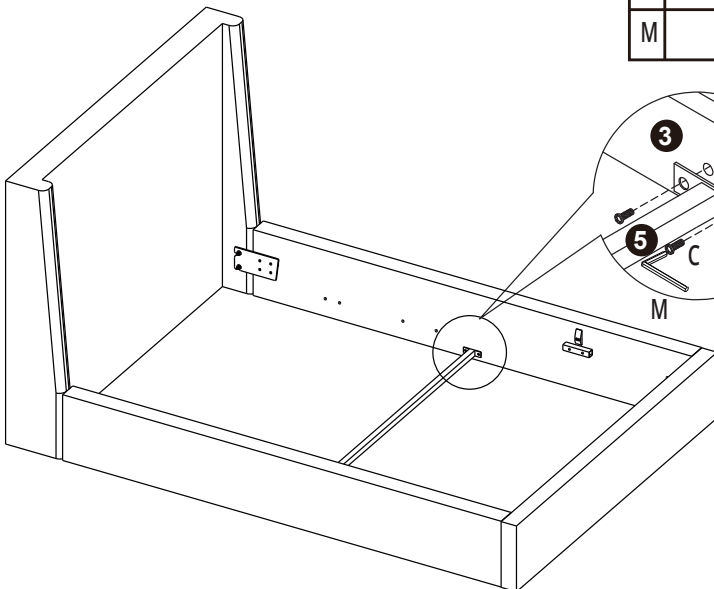
ASSEMBLY INSTRUCTIONS



Step 5



F		8
O		2
N		1

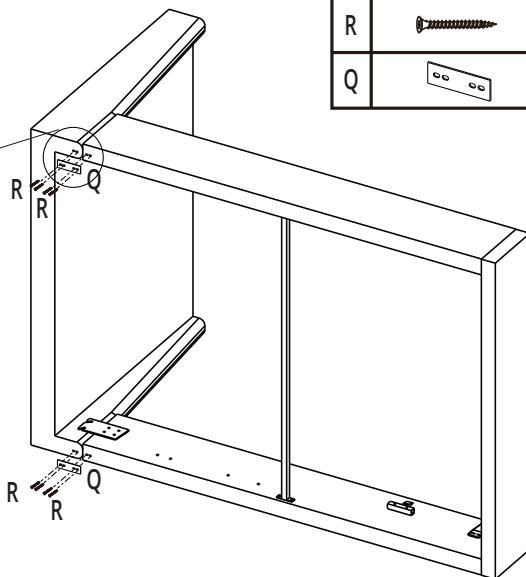
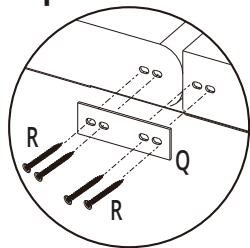
Step 6





C		4
M		1

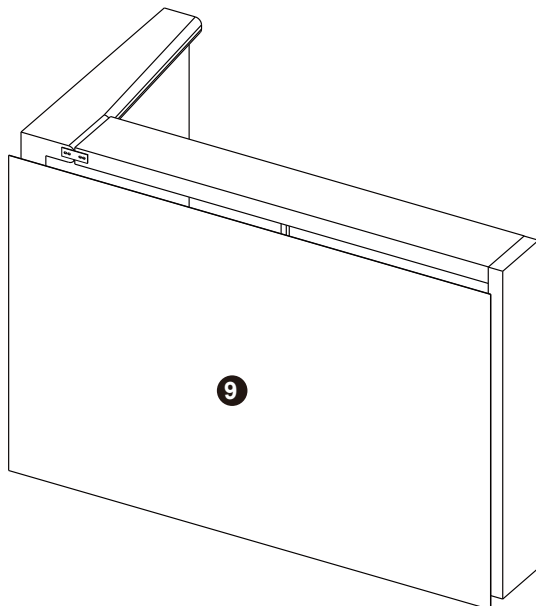
ASSEMBLY INSTRUCTIONS

Step 7



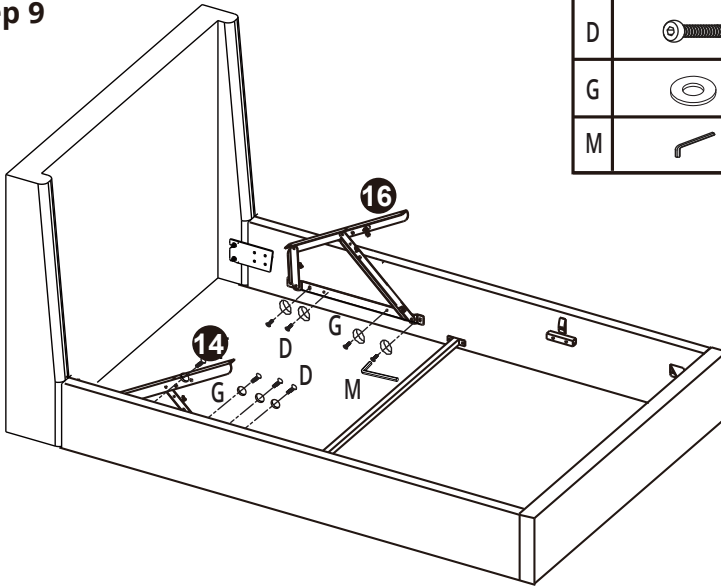
R		8
Q		2




Step 8



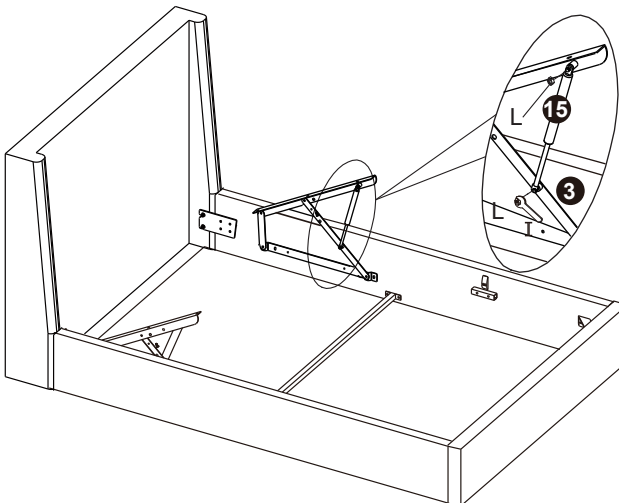
ASSEMBLY INSTRUCTIONS



Step 9



D		8
G		8
M		1



Step 10

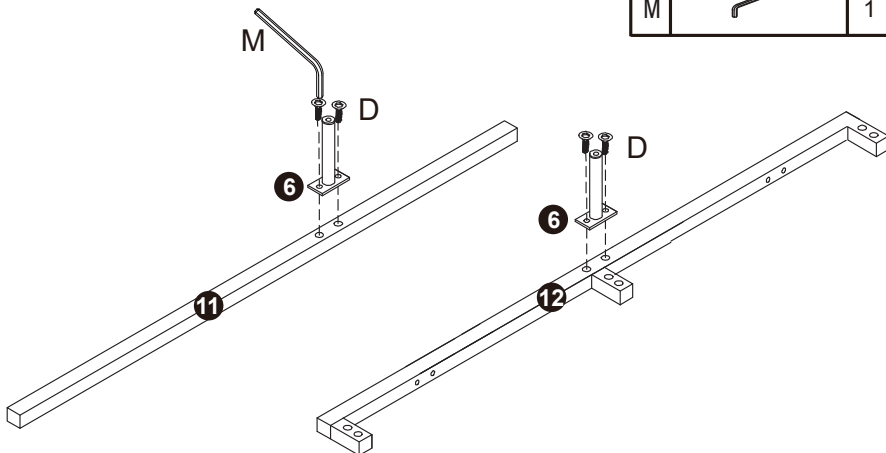


I		1
L		4




ASSEMBLY INSTRUCTIONS

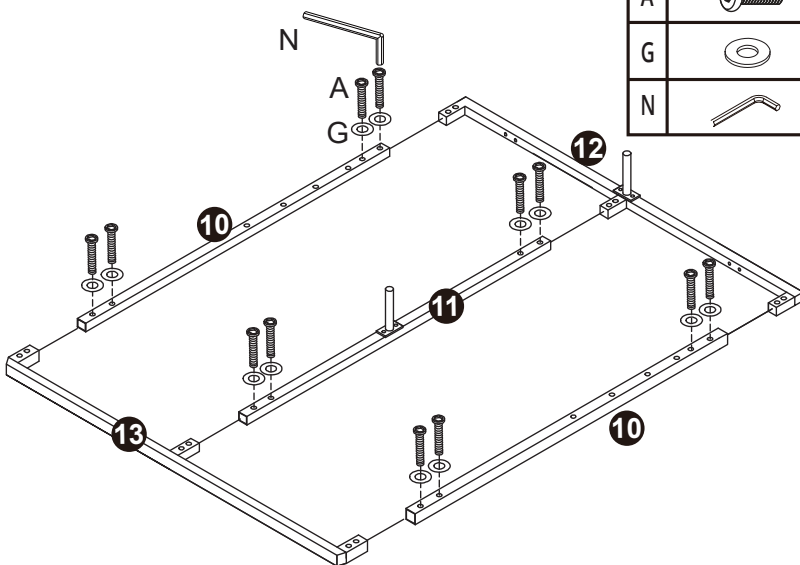
Step 11

D		4
M		1






Step 12

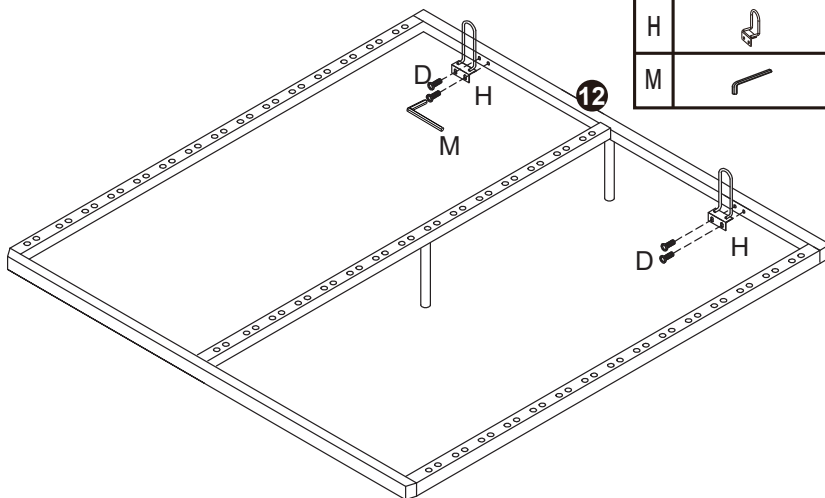
A		12
G		12
N		1






ASSEMBLY INSTRUCTIONS

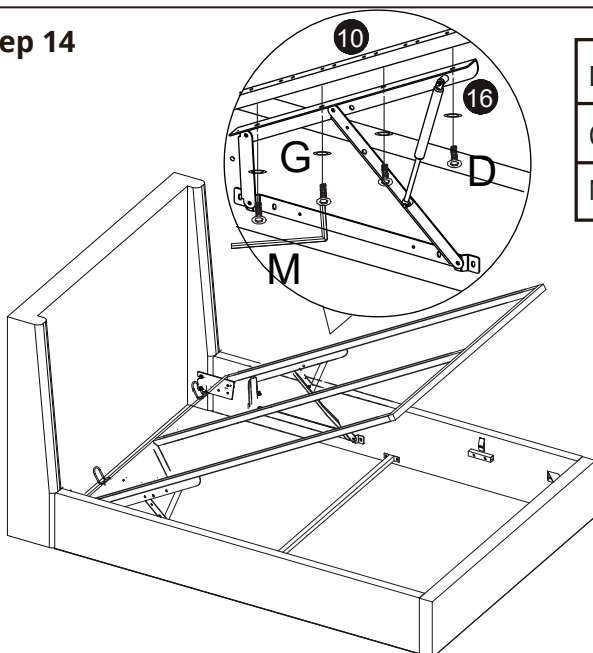
Step 13

D		4
H		2
M		1



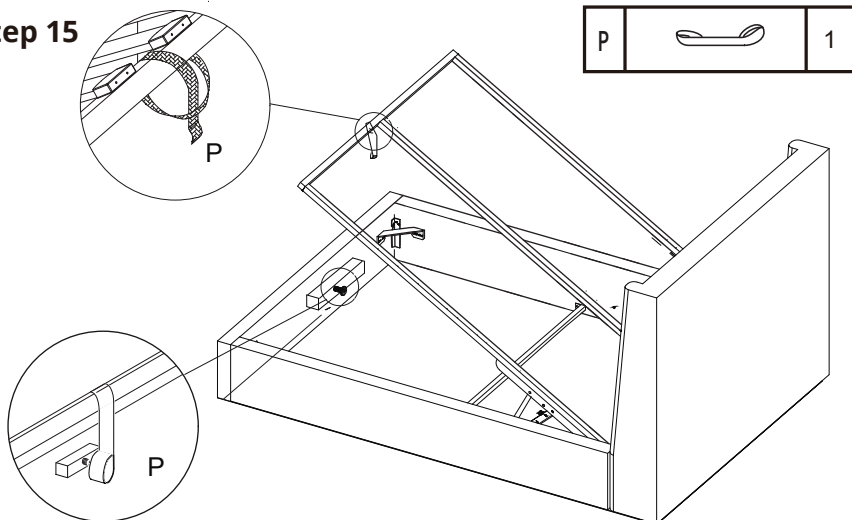
Step 14

D		8
G		8
M		1



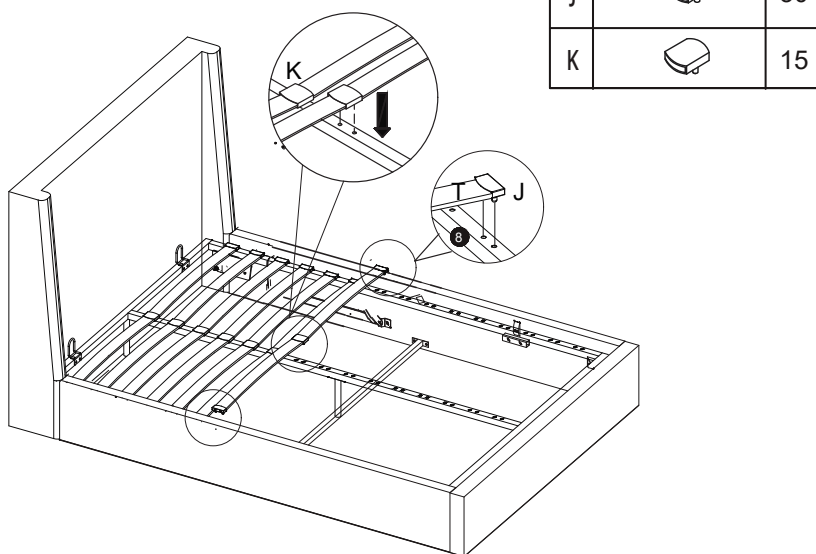
ASSEMBLY INSTRUCTIONS

Step 15

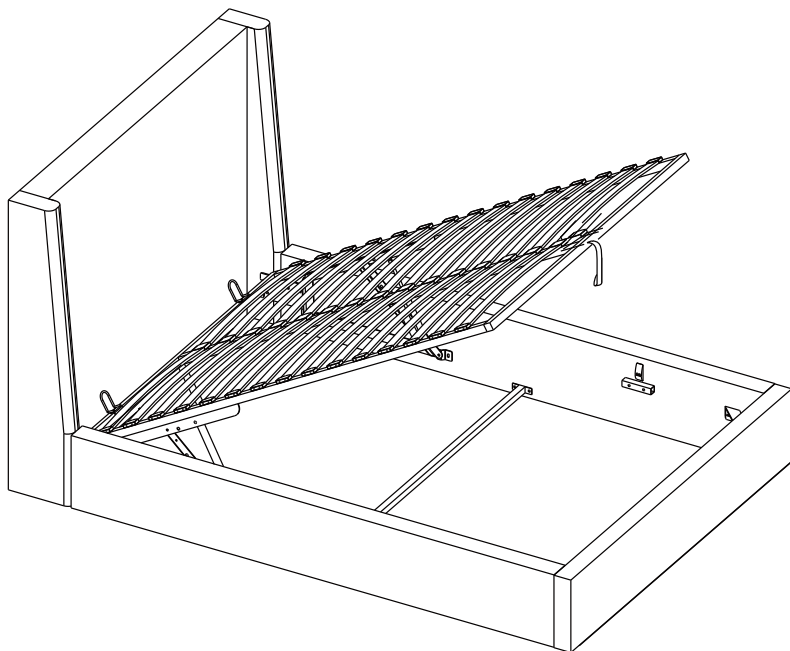


REMINDER: Please tie the rope on the screw tightly before putting the slats on.

Step 16



ASSEMBLY INSTRUCTIONS



Congratulations! Now you have finished assembling the product.

IF YOU FIND A DEFECTIVE PART

We fully stock all parts and components. Any defective part can be quickly replaced. Take note of the defective part number in manual and we will arrange a replacement.

COPYRIGHT

All material in this instruction manual is copyrighted by AGTC Ltd.

Any unauthorised use may violate worldwide copyright, trademark and other laws.

Thank you for purchasing!
