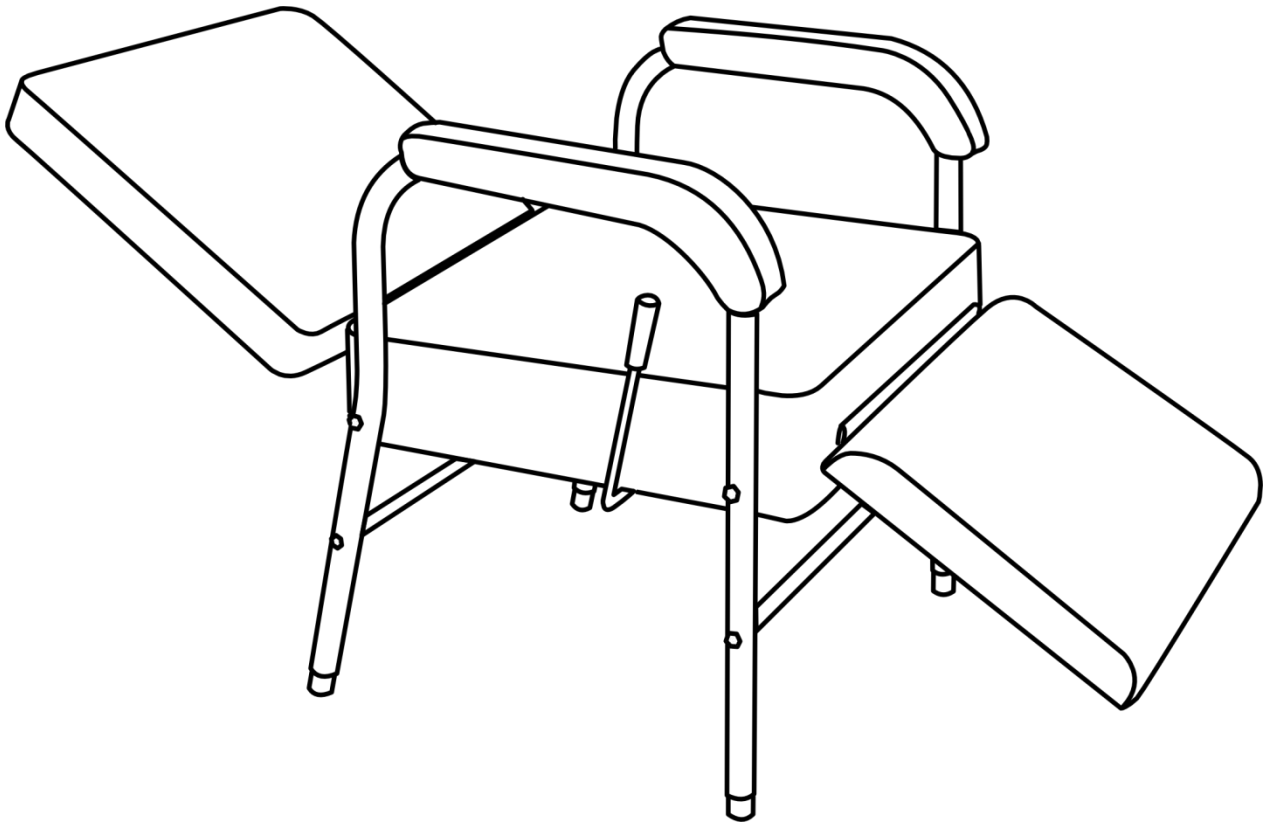




Artist hand[®]
SALON & SPA EQUIPMENT



Shampoo Chair

Instruction Manual

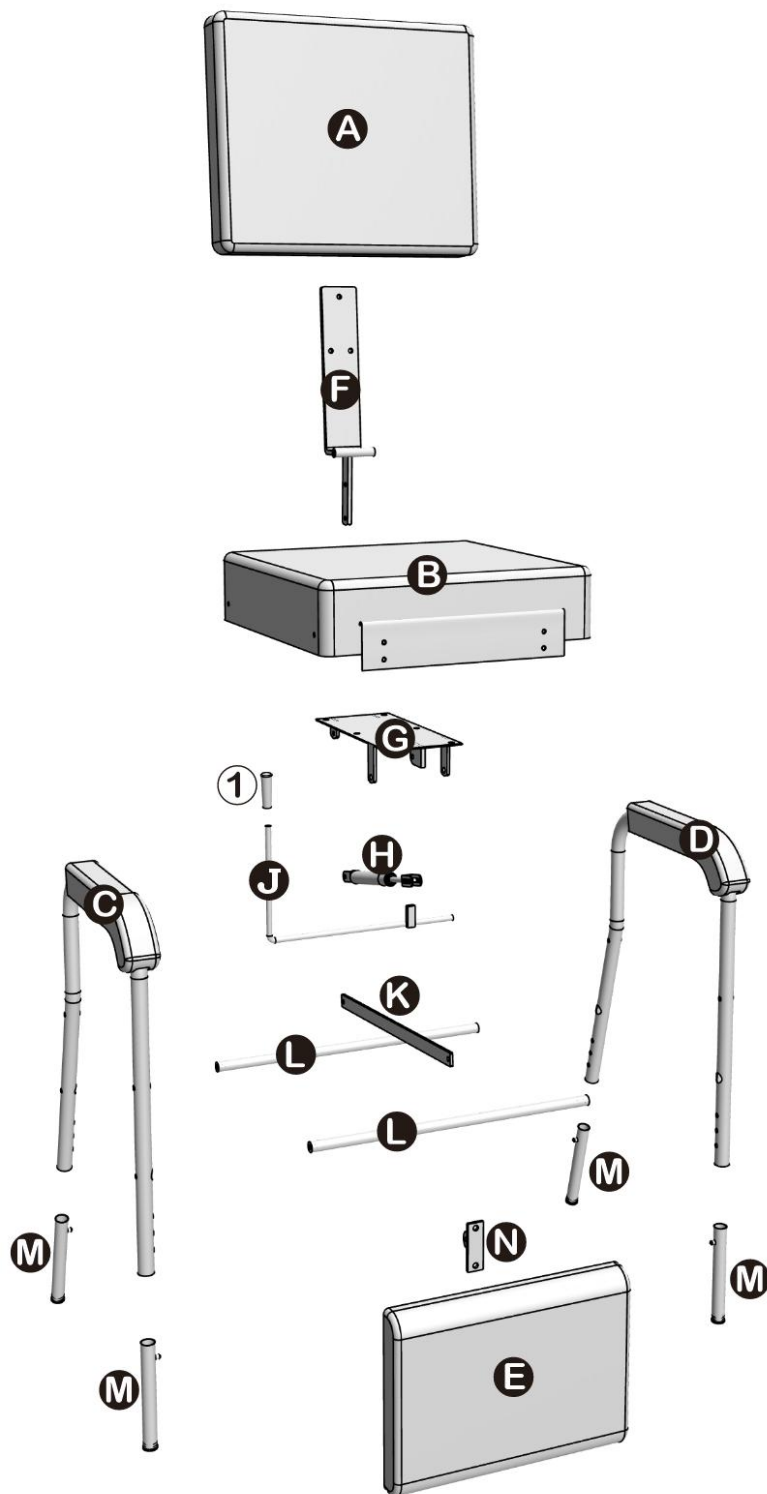
COLOR: Black U3070101800

Golden&Black U3070101900

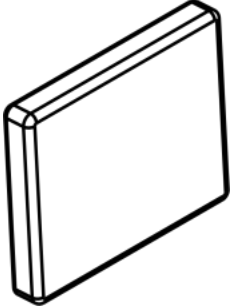
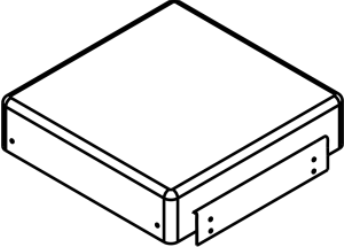
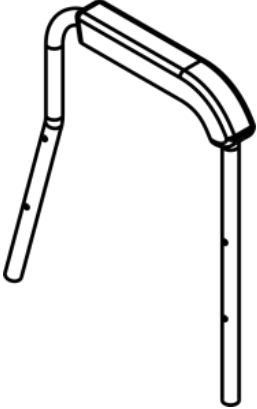
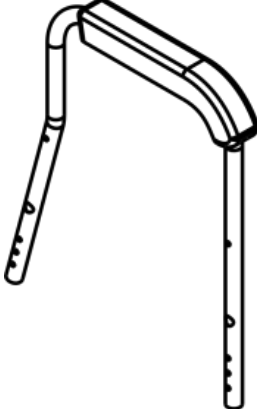
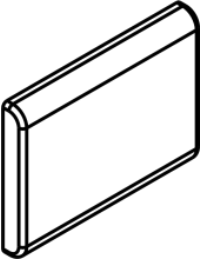
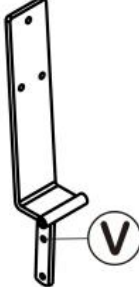
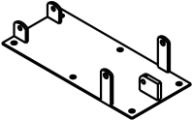
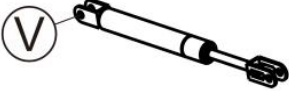
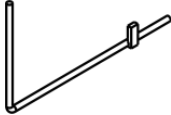

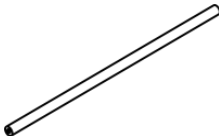


CAUTION! Please read through this manual before assembling,
installing or using the product to ensure safe and correct use.



1.1 Feature and Specification




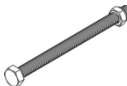
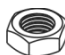




Main Parts

Code	Image	Name	Qty(Pcs)	Code	Image	Name	Qty(Pcs)
A		Backrest	1	B		Seat	1
C		Right Armrest	1	D		Left Armrest	1
E		Leg Rest	1	F		Rotating Shaft	1
G		Tray	1	H		Aerobar	1
J		Reclining Bar	1	K		Pull Rod	1
L		Support Rod	2	M		Extend Tube	4
N		Connection Base	1				

Preinstalled Accessories

Code	Where to find	Name	Qty(Pcs)
Ⓐ	Preinstalled on B	Hex Screw M8*25	6
Ⓑ	Preinstalled on H	Hex Screw M8*30	2
Ⓒ		Hex Nut M8	2
Ⓕ	Preinstalled on E	Hex Screw M8*25	6
Ⓖ	Preinstalled on N	Hex Screw M8*30	1
Ⓕ		Hex Nut M8	2
Ⓘ	Preinstalled on F	Hex Screw M8*30	1
Ⓙ		Hex Nut M8	2
Ⓚ	Preinstalled on L	Allen Socket Screw M8*25	4
Ⓜ	Preinstalled on A	Allen Socket Screw M8*30	3
Ⓝ	Preinstalled on C & D	Plug	4

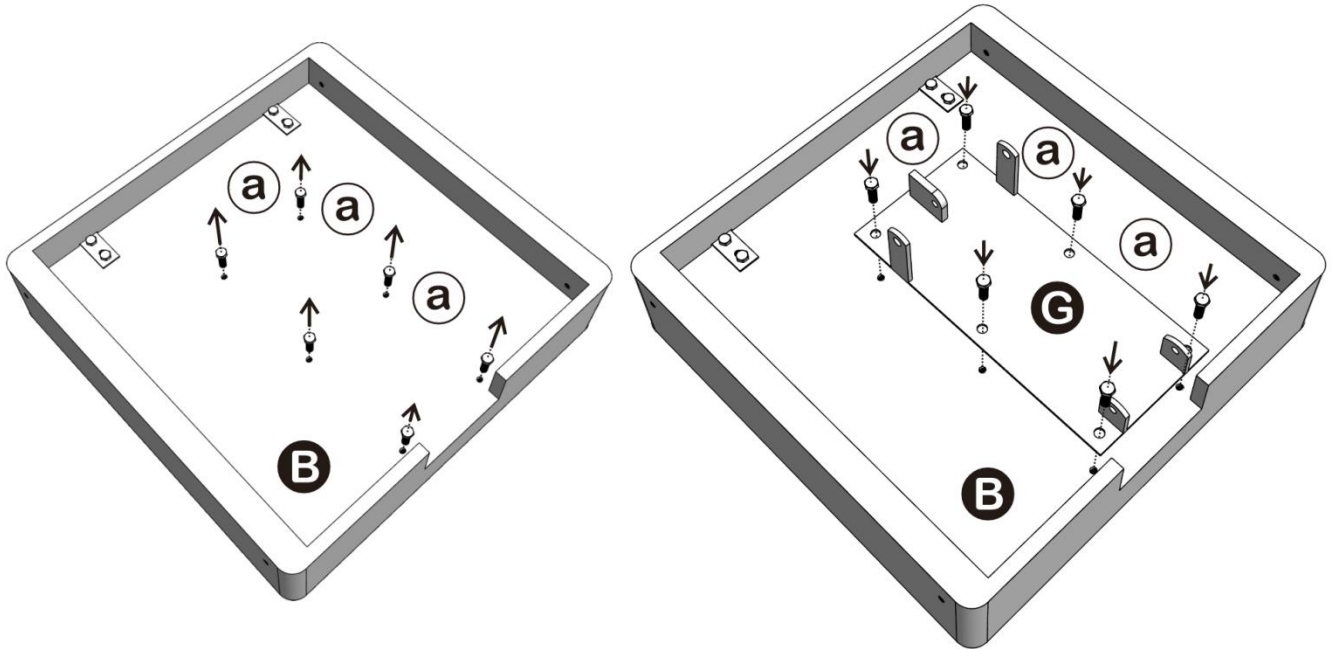
Accessory Kit *(Packed in a Small Bag)*

Code	Image	Name	Qty(Pcs)	Code	Image	Name	Qty(Pcs)
①		Handle	1	② ③		Hex Screw M8*110 & Anti Retreat Nut M8	1
④		Hex Nut M8	4	⑤		Washer M8	4
⑥		Allen Socket Screw M8*80	4	⑦		Wrench 14mm	2
⑧		Allen Key 5mm	1				

1.2 Installation Diagram

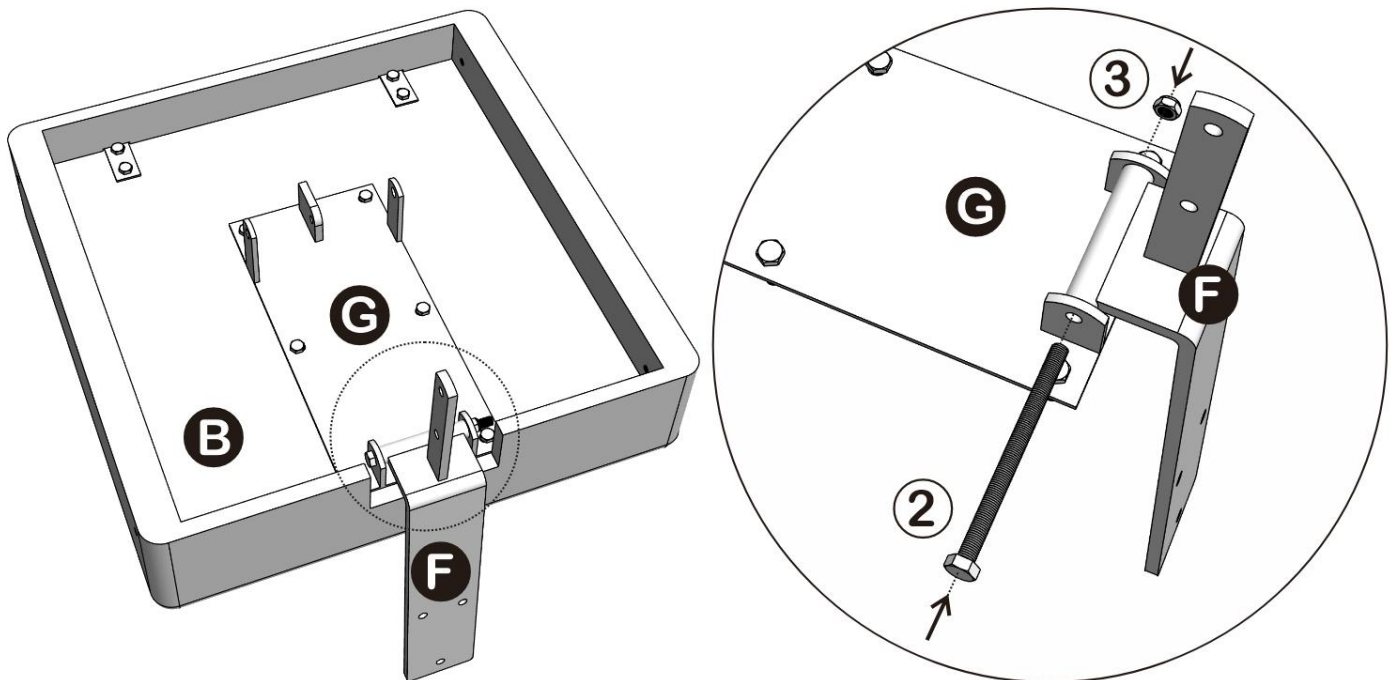
Step One:

Unscrew six Hex Screw ① from the back of Seat ② and install Tray ③ with those six Hex Screws ①.



Step Two:

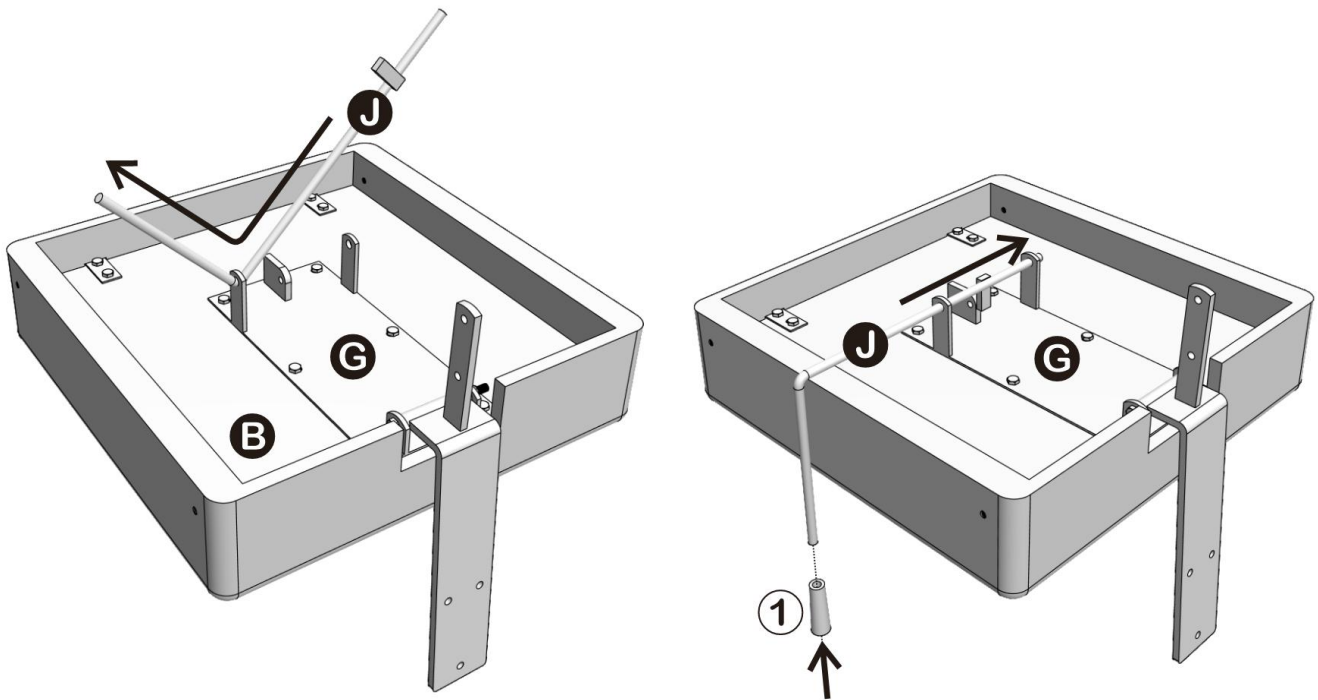
Install Rotating Shaft ④ to the Tray ③ at the back of Seat ②.



Hex Screw M8*110 ② and Hex Nut M8 ③ were packed in Accessory Kit (a small bag).

Step Three:

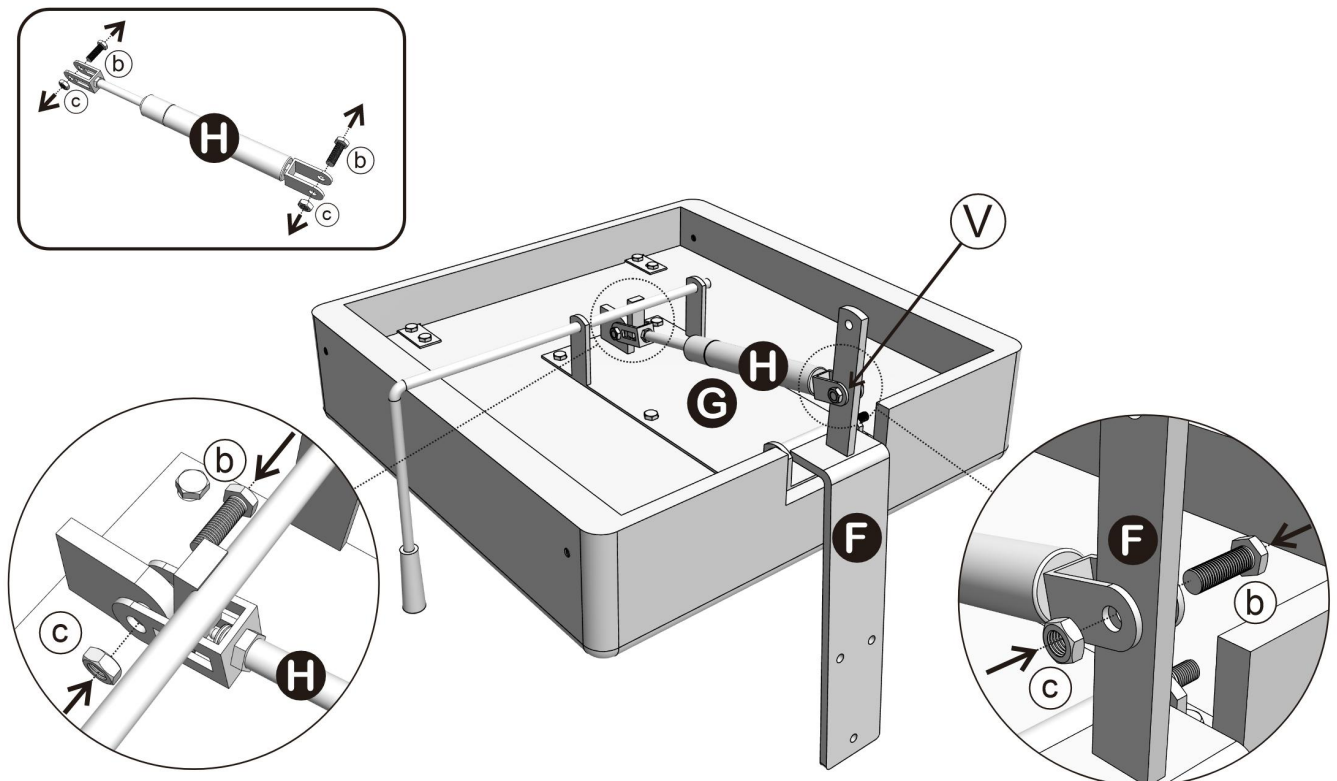
Install Reclining Bar **J** to the Tray **G** at the back of Seat **B** and insert the Handle **1** to the Reclining Bar **J**.



Handle **1** were packed in Accessory Kit (a small bag).

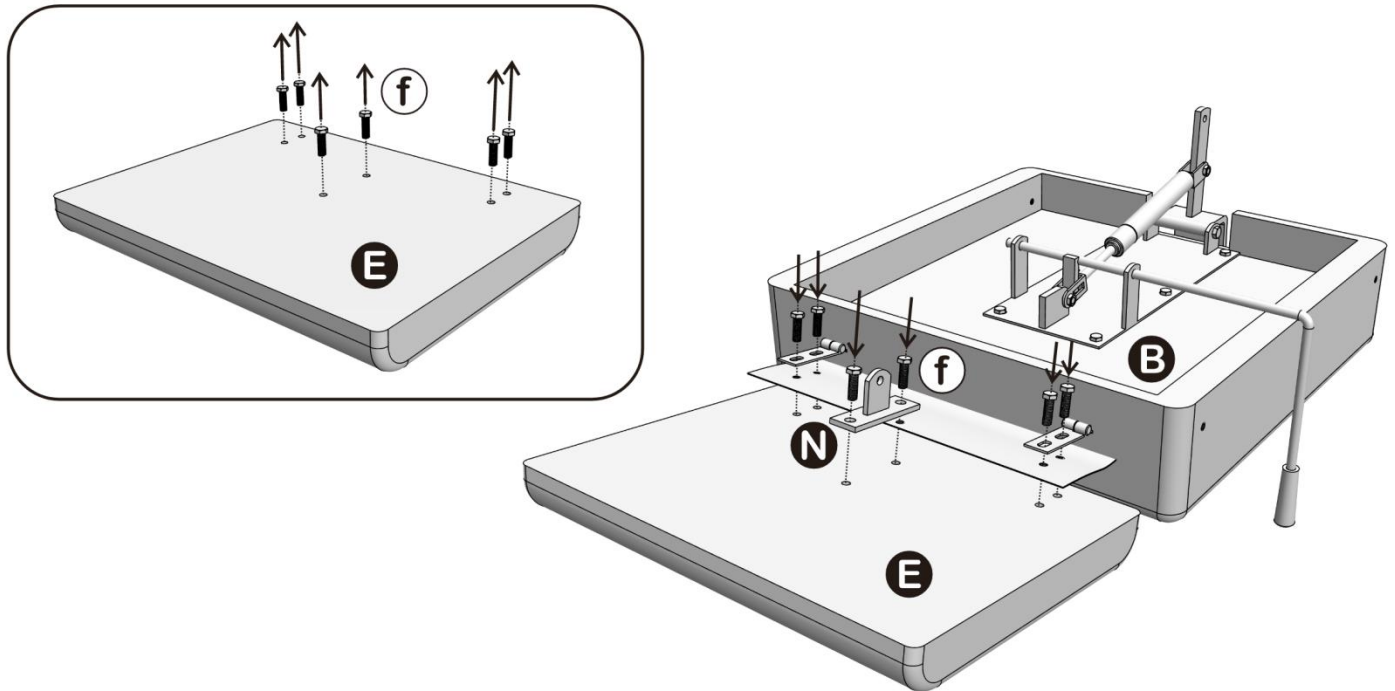
Step Four:

Release two Hex Screws **b** and two Hex Nuts **c** from the Aerobar **H**. Install the Aerobar **H** to the Tray **G** and Rotating Shaft **F**. **Attention: the ∇ end of Aerobar is connected to the ∇ end of Rotating Shaft.**



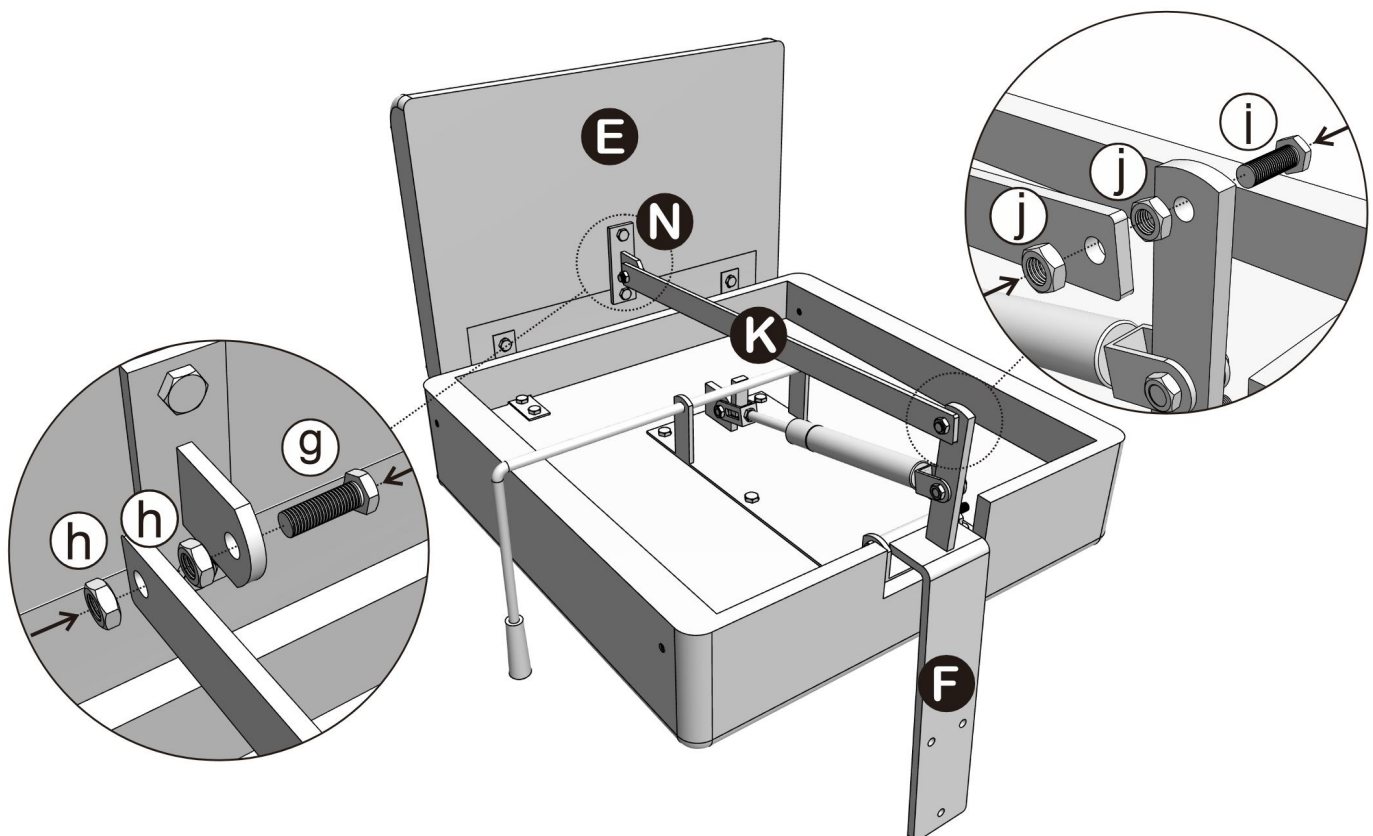
Step Five:

Unscrew the six Hex Screws (f) from the back of Leg Rest (E). Attach Leg Rest (E) to Seat (B) and install Connection Base (N) to Leg Rest (E) with those six Hex Screws (f).



Step Six:

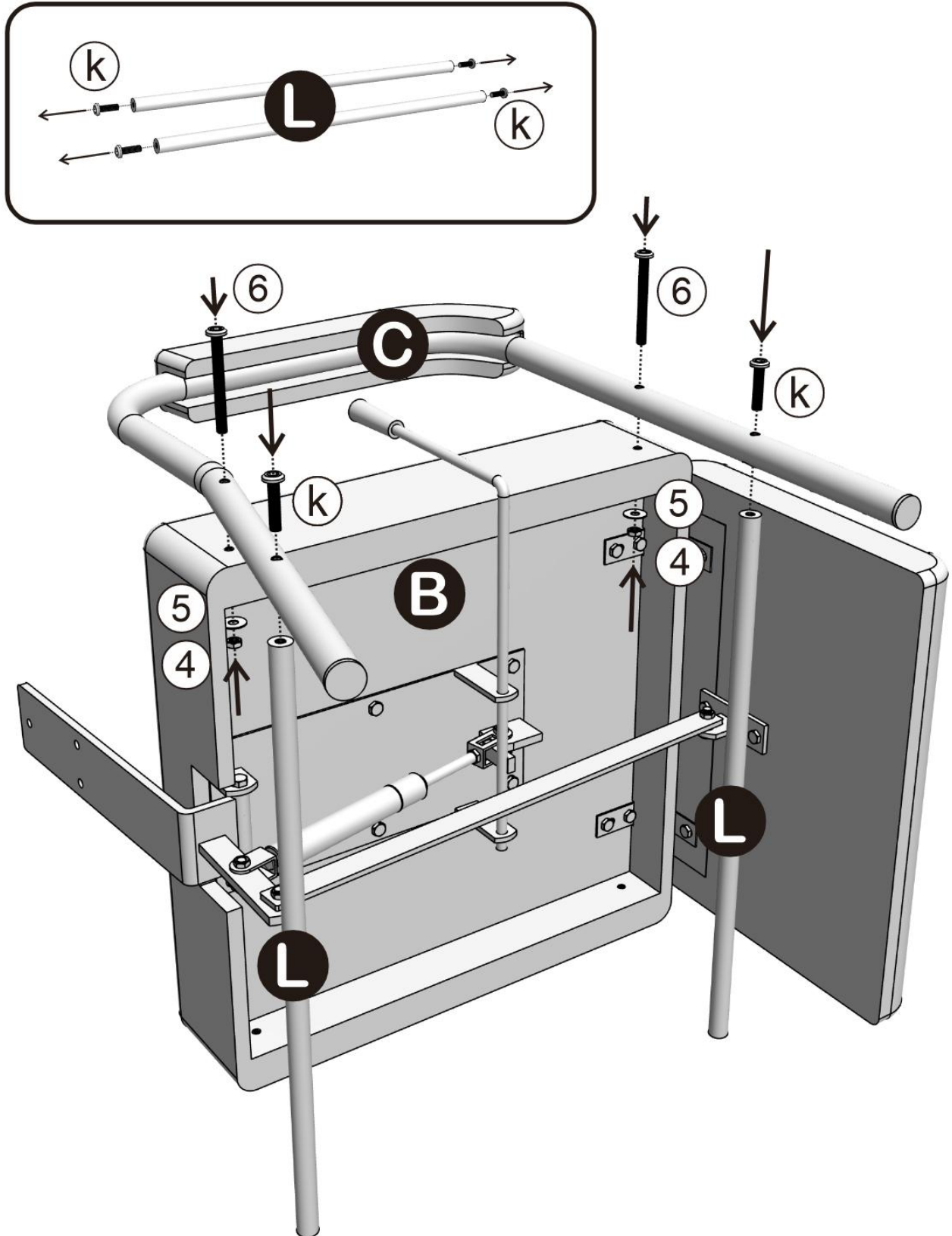
Connect Pull Rod (K) to Connection Base (N) and Rotating Shaft (F) and fix them with Hex Screws (g)(i) and Hex Nuts (h)(j).



Step Seven:

Unscrew four Allen Socket Screws (k) from two Support Rods (L). Combine Right Armrest (C) to Seat (B) and secure with two Allen Socket Screws M8*80 (6) and two Washers M8 (5) and two Hex Nuts M8 (4). Install two Support Rods (L) to Right Armrest (C) and secure with two Allen Socket Screws (k).

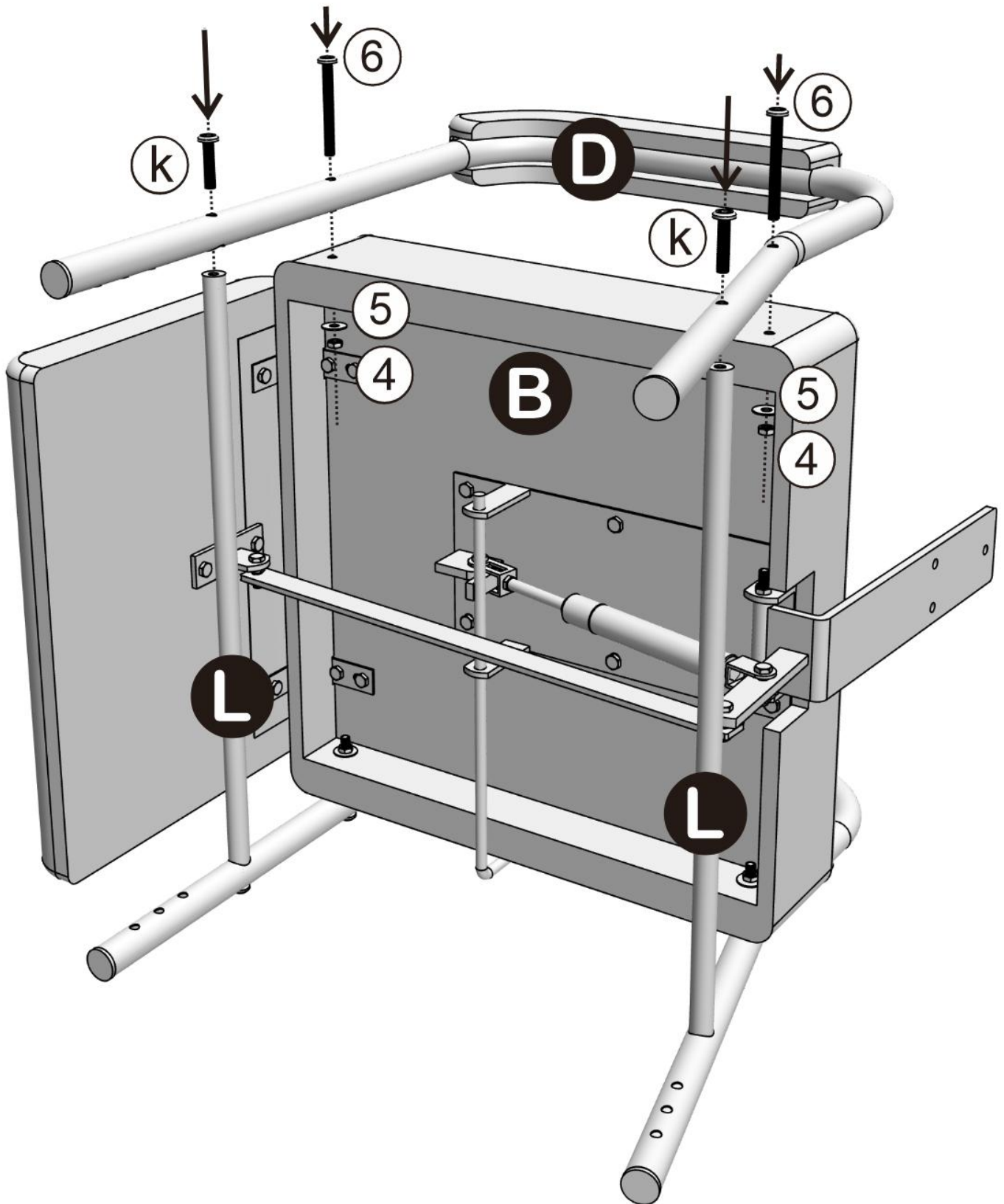
(Don't tighten the screws and nuts to the end until Step Nine when chair is on flat).



Two Allen Socket Screws M8*80 (6) and two Washers M8 (5) and two Hex Nuts M8 (4) were packed in Accessory Kit (a small bag).

Step Eight:

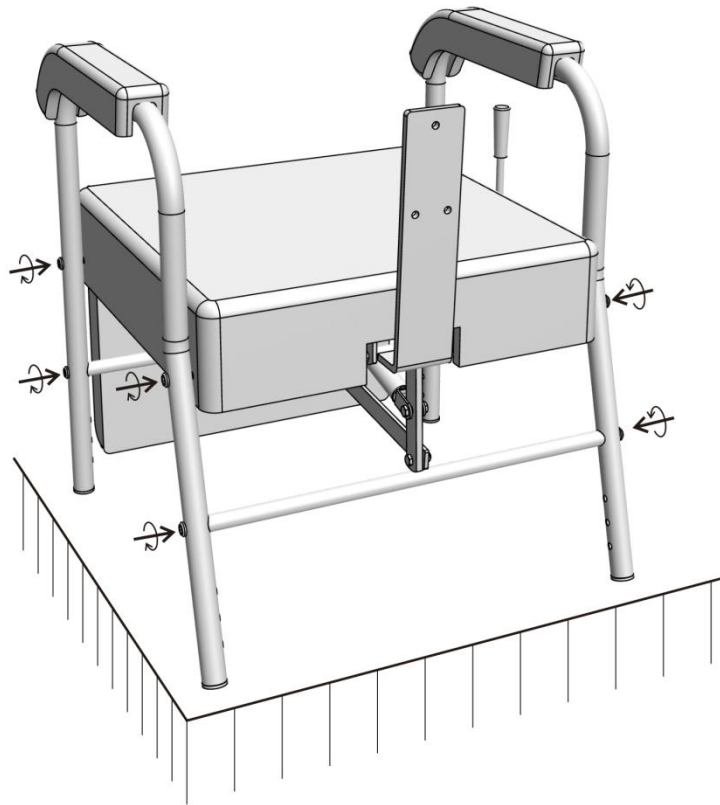
Combine Left Armrest **D** to Seat **B** and secure with two Allen Socket Screws M8*80 **6** and two Washers M8 **5** and two Hex Nuts M8 **4**. Install two Support Rods **L** to Left Armrest **D** and secure with two Allen Socket Screws **k**. (Don't tighten the screws and nuts to the end until Step Nine when chair is on flat.)



Two Allen Socket Screws M8*80 **6** and two Washers M8 **5** and two Hex Nuts M8 **4** were packed in Accessory Kit (a small bag).

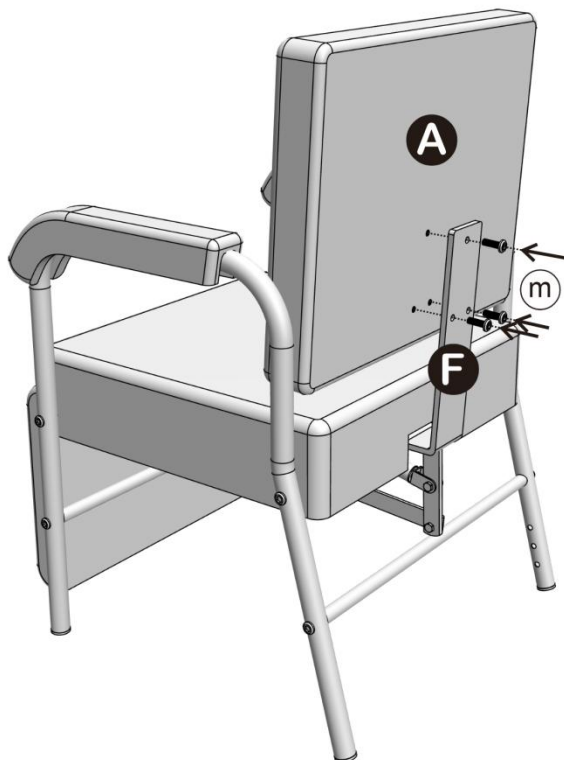
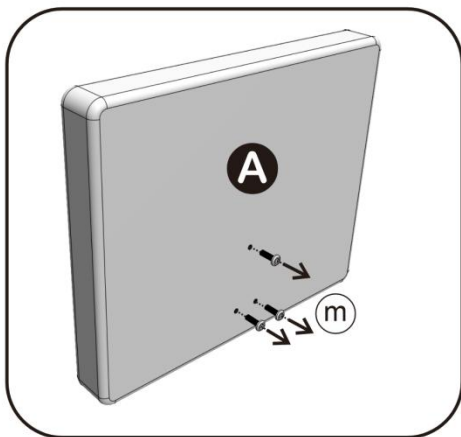
Step Nine:

Place the chair on flat ground and then tighten all the screws and nuts.



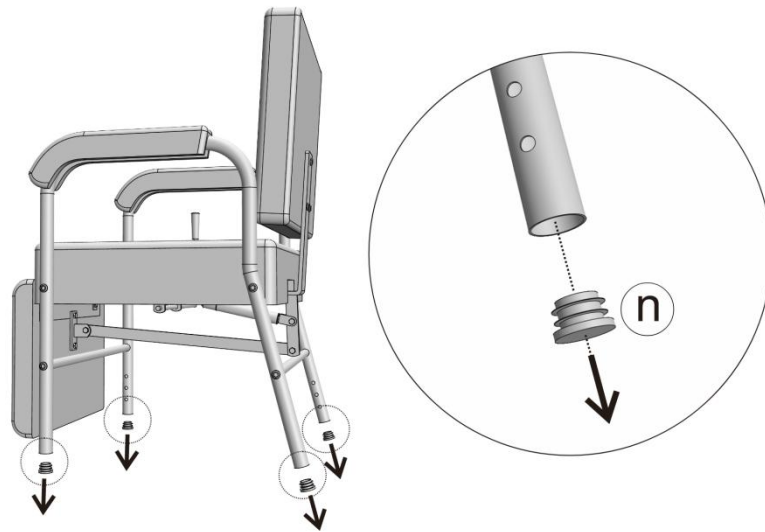
Step Ten:

Unscrew three Allen Socket Screws (m) from the back of Backrest (A). Install Backrest (A) to Rotating Shaft (F) with those three Allen Socket Screws (m).

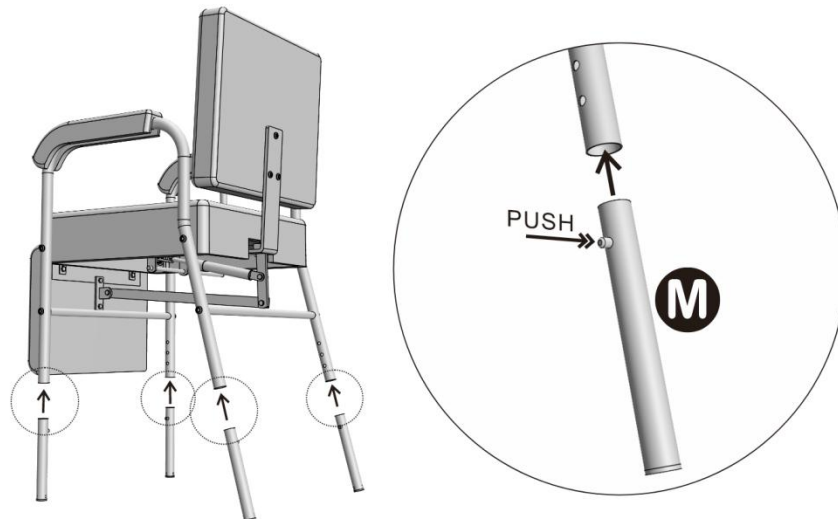


Step Eleven:

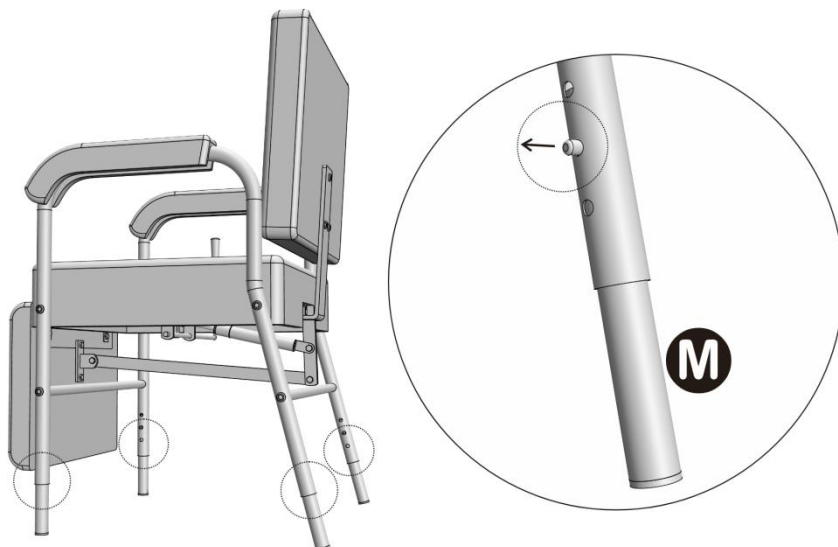
Install the Extend Tube **M** to raise the chair.



(1) Take down four plugs **N** from the armrests.

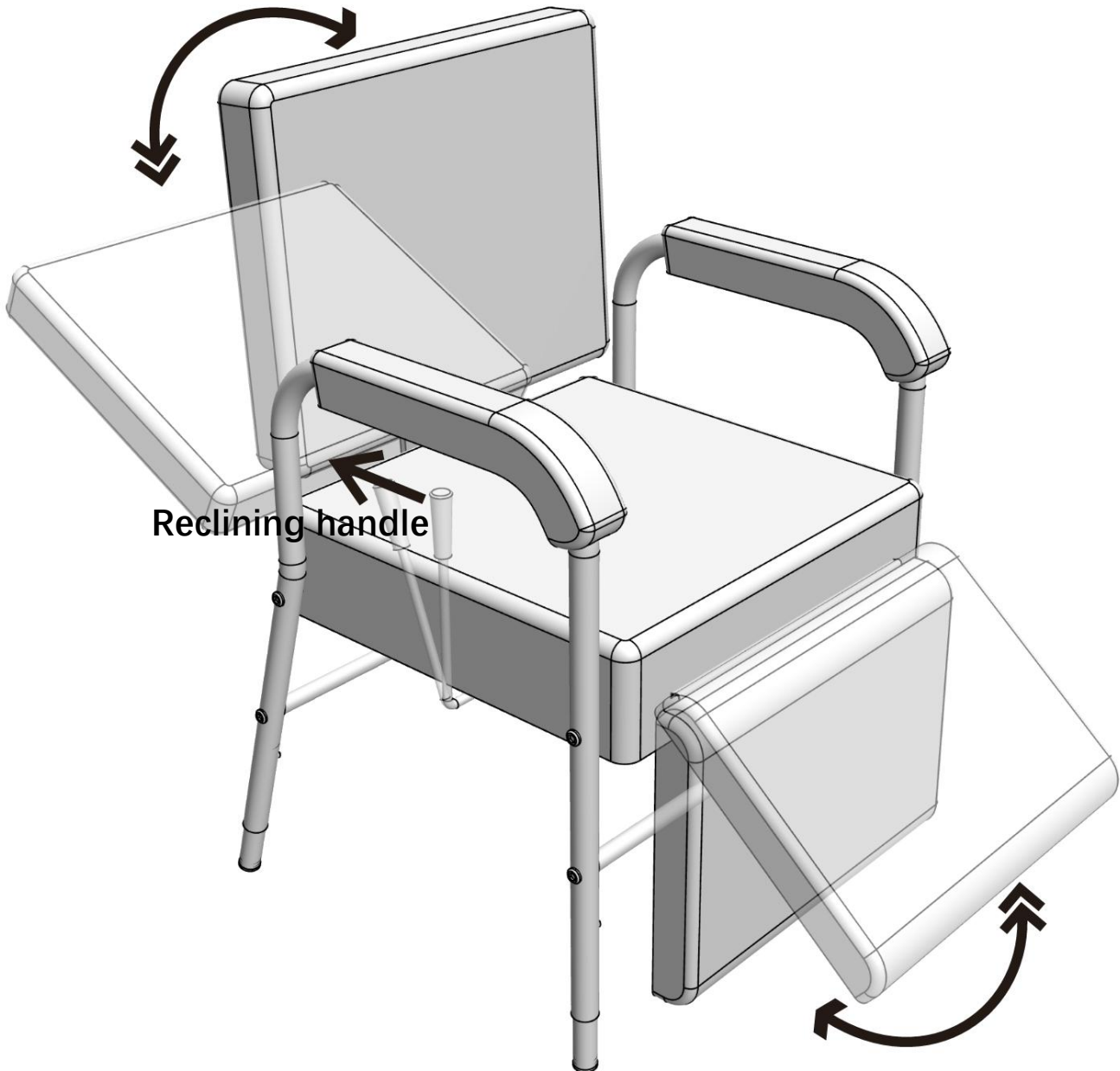


(2) Insert the four Extend Tubes **M** into the bottom of armrests by pushing the button on the Extend Tubes **M**.



(3) The Extend Tubes **M** are installed and adjust the height by choosing different holes for the button come out.

1.3 Instructions for use



Reclining the backrest, lifting the leg rest: Sit down in the chair and pull the reclining handle on the right side of the seat backwards without letting go of it, while leaning back hard while the backrest is down. Release the reclining handle at the desired angle, the backrest and legrest secured.

Backrest rebounds upright, leg rest aligned: The body returns to upright, pull the reclining handle on the right side of the seat back again, the backrest rebounds upright, and the leg rest is aligned.

1.4 Trouble and Solution

No.	Trouble	Solution
1	Reclining not working	Please loose the screw of the reclining aerobar which connected with the reclining handle. Or contact us to get a video instruction.
2	Armrest can not be installed	Please see the step Seven and Eight of 1.2 Installation Diagram on page 7 and page 8 of the instruction manual.
3	How to use Part ❷ Extend Tubes	Please see the step Eleven of 1.2 Installation Diagram on page 10 of the instruction manual.
4	Chair wobble	The screws (parts ❸ and parts ❹) on the armrests getting loose: Please tighten these screws.
5	Other issues	If you have any other problems, please Email to info@artisthandbeauty.com Our professional team will provide the technical support by pictures or videos.

1.5 Maintenance

No.	Maintenance Parts	Maintenance Method
1	Leather surface care	<p>1. Avoid using hard objects to scratch the leather surface. Leather fabrics are generally more durable but can be easily scratched by sharp objects.</p> <p>2. Leather surfaces require regular monthly maintenance. Please use leather hardener for maintenance. If the surface is stained with dye, perm, or other difficult-to-clean items, try wiping with a cotton cloth dipped in a little gasoline or seek professional help.</p>

1.6 Customer Service

Any question or suggestion please feel free to contact our Customer Service Team








E-mail: info@artisthandbeauty.com

ABOUT *Artist hand*[®]

We believe every barber has a pair of artist's hand that brings us beauty and confidence. The brand **Artist hand** will provide you with one-stop service and experience, and assist you to create a better life by opening a barber shop quickly!

Artist hand is a rapidly growing e-commerce platform which provides high quality specialists products for the salon, beauty, barber and spa industries. We are committed to providing perfect quality, reasonable price and excellent service for every barber shop, and becoming a favorite amongst professionals. There is a wide selection of styles from vintage barber chairs to more modern, functional designs. Meanwhile, the custom package can include the reclining barber chair, all purpose salon chair, shampoo chair and other modern salon equipment, used to provide a range of high quality styling units to complement your barber shop.

 ▪ **Amazon : <https://www.amazon.com/artisthand>**

-  ▪ **Website** : www.artisthandbeauty.com
-  ▪ **Customer service Mailbox** : info@artisthandbeauty.com
-  ▪ **Facebook** : Artisthand
-  ▪ **Instagram** : artisthandbeauty
-  ▪ **TikTok** : artisthandshop
-  ▪ **YouTube** : Artisthand
-  ▪ **Installation video in youtube.com/c/Artisthand** :
Search No.: U3070101800



Amazon Shop



Artisthand Website