

# INSTALLATION MANUAL

## CEILING FAN WITH LIGHT

Model No.: YY19759-01

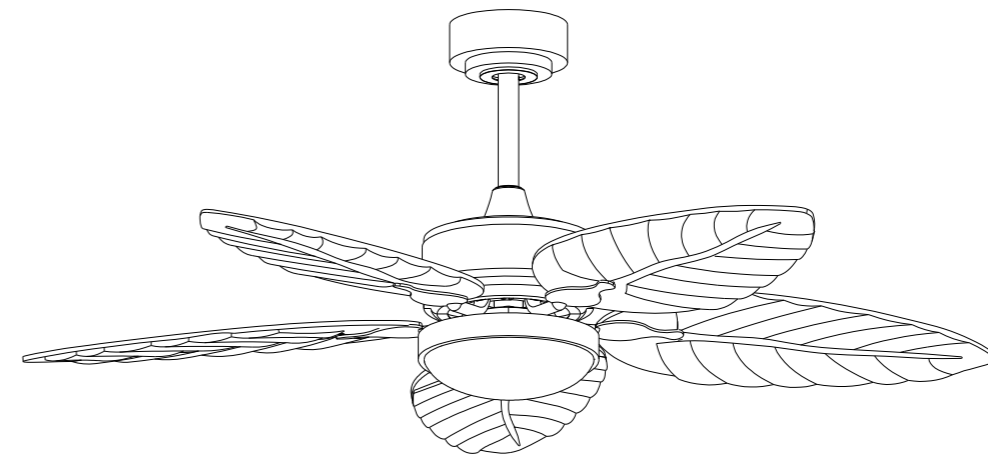


Scan for Installation Video



APP Control Applicable

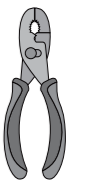
**Thank you for choosing and using our product.**



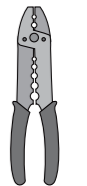
### TOOLS REQUIRED



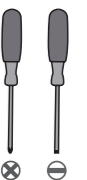
Ladder



Pliers

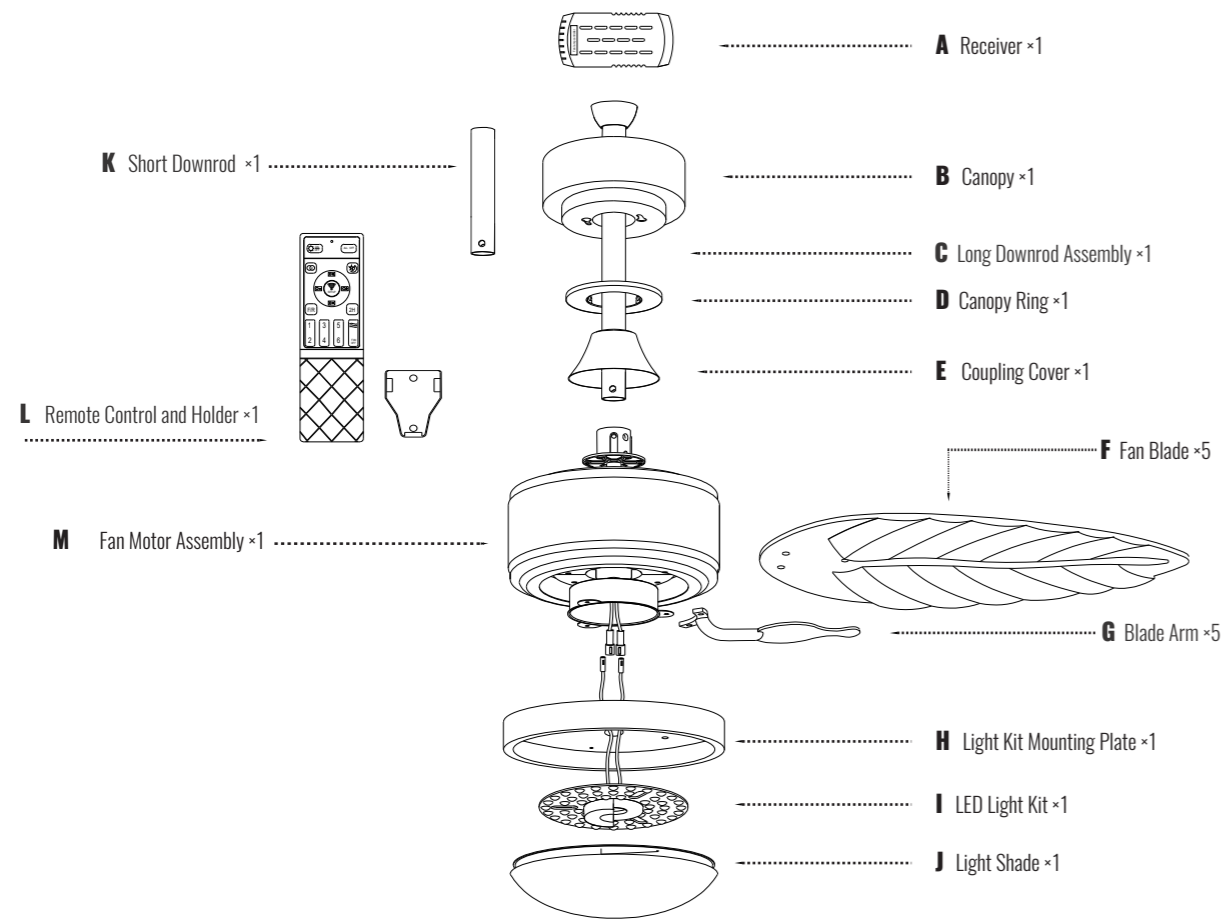


Wire  
Strippers



Screwdrivers

## PACKING LIST



## INSTALLATION KIT

<b>AA</b>	3×	<b>BB</b>	15×	<b>CC</b>	1×
Wire Nut		Fan Blade Screw		Gloves	
<b>DD</b>	1×	<b>EE</b>	2×	<b>FF</b>	1×
Mounting Bracket		Outlet Box Screw With Washer		Clevis Pin & "R" Pin	

### NOTE:

1. Some extra hardware may be included. The quantity listed above is the number required for installation.
2. Parts "FF" have already been installed with Long Downrod Assembly. They need to be disassembled before installation.

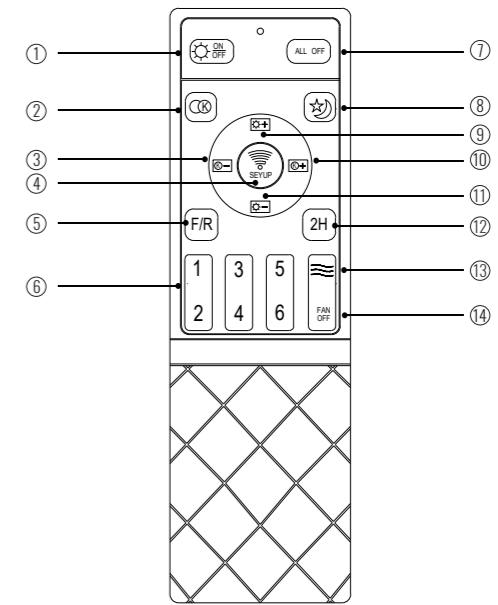
## REMOTE CONTROL INSTRUCTIONS

### NOTE:

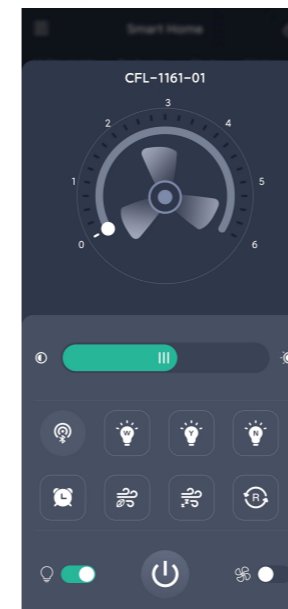
Please insert 2 batteries before using. AAA 1.5V battery x 2pcs (not included).

- ① Light On/Off: Press to turn the light on or off.
- ② Quick Light Color Switch: Press to quickly switch between light colors.
- ⑨⑩ Light Brightness +/-: Press to +/- the brightness of the light.
- ③⑩ Light Color Temperature +/-: Press to +/- the light color temperature.
- ⑤ Fan Forward/Reverse: Press to change the direction of the fan blades.
- ⑥ Fan Speeds: Press to adjust the fan speed from 1 to 6.
- ⑦ All Off: Press to turn off the fan and light.
- ⑧ Night Mode: Press to dim the lights.
- ⑫ Fan Timer: Press to set the timer for the fan to turn off.
- ⑬ Wind Direction: Turn on natural wind mode.
- ⑭ Fan Off: Press to turn off the fan.

Signal Pairing: If the remote control loses signal from the fan, press and hold the Signal Pairing button ④ at the beginning after turning on the wall switch until the light flashes. This will pair the remote control to the fan.



## APP CONTROL INSTRUCTIONS



Install the "FanLamp Pro" app from Google Play, Apple App Store, or other app stores by scanning the QR code or searching for the app name. Ensure that your phone is connected to the internet and Bluetooth enabled.

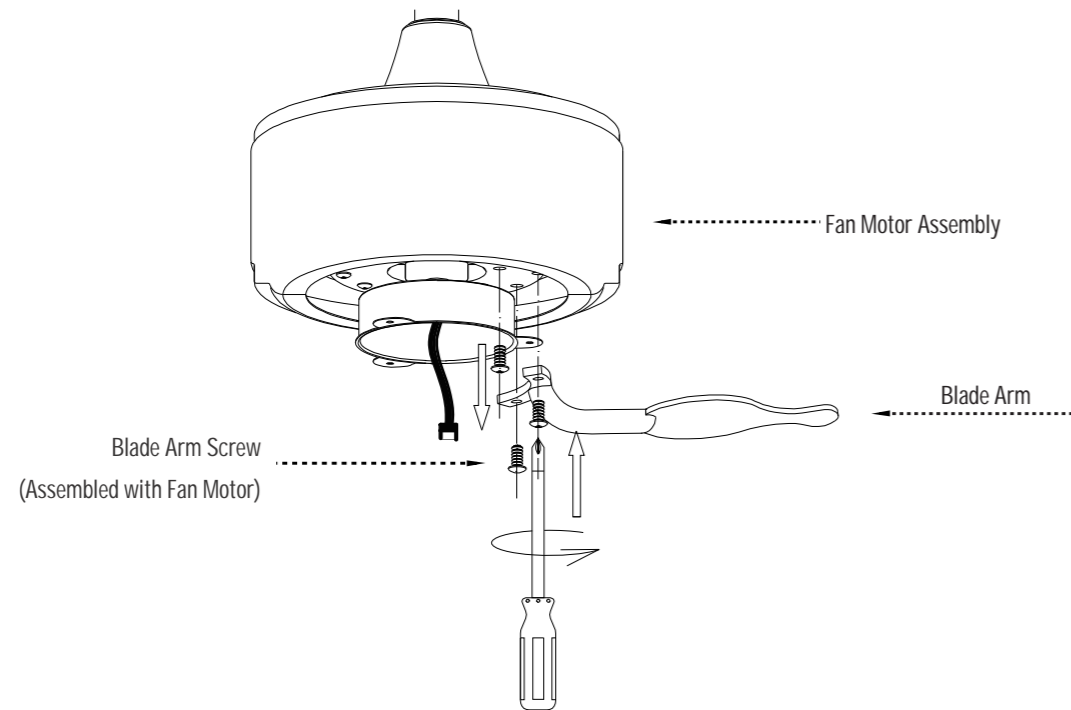
	Pairing: Click the Pair button within 5 seconds after turning on the fan from the wall switch. Once the fan flashes or beeps, it has been successfully paired with your phone and can now be controlled through the app.
	Slide the slider to change the fan speed
	Slide to adjust the brightness of the light
	Quickly change color temperature " White, Yellow, Natural "
	Switch to night light mode
	Fan forward & Fan reverse
	Guiding style (not supported by this product)
	Timer
	Sleeping wind (Not applicable on this fan)
	Natural wind: Simulate natural wind and automatically adjust the wind speed
	Turn on/off the light
	Turn on/off the fan

### NOTE:

Install the "FanLamp Pro" app from Google Play, Apple App Store, or other app stores by scanning the QR code or searching for the app name. Ensure that your phone is connected to the internet and Bluetooth enabled.

## 7. Assembling the Blade Arm

Align the blade arms with the mounting holes, fix them with screws.

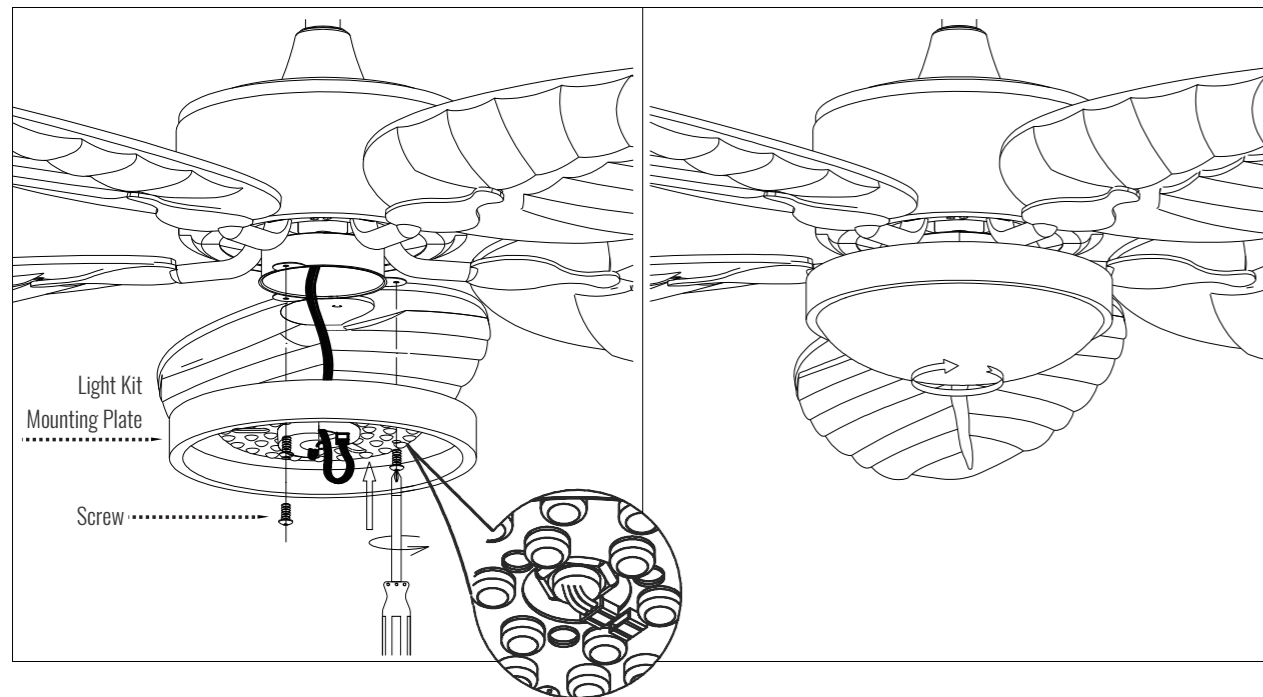


## 8. Install the Light and Light Shade

Step 1. Fix the light kit mounting plate on the lamp body.

Step 2. Connect the wire terminal to the interface on the LED Light Kit.

Step 3. Rotate the lampshade clockwise to secure it to the lamp panel.

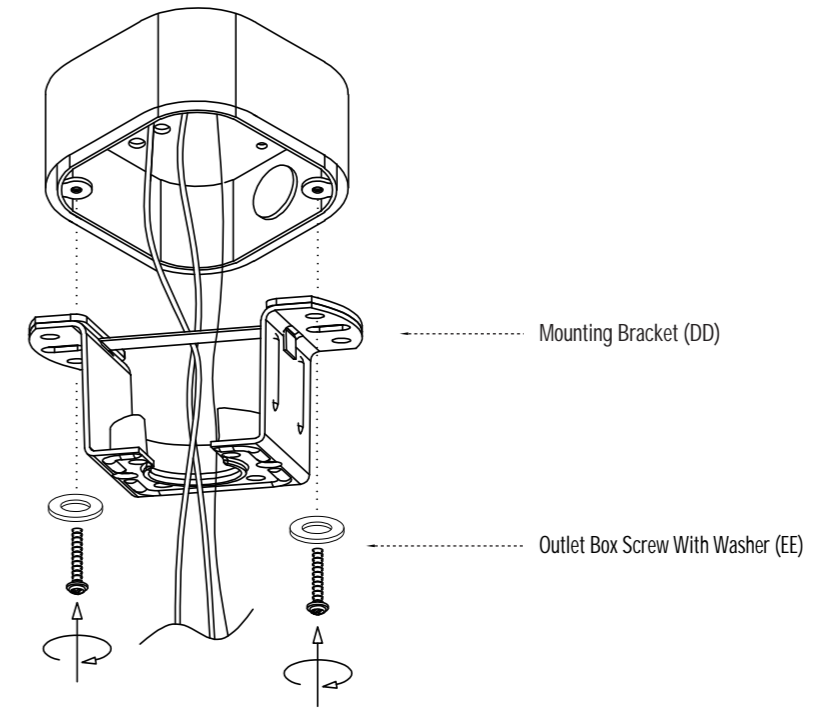


## INSTALLATION

### 1. Installing the Mounting Bracket

Step 1. Take off the screws from outlet box.

Step 2. Secure the mounting bracket (DD) onto the outlet box with screws taken off or Outlet Box Screw With Washer (EE) provided.



### 2. Assembling the Fan

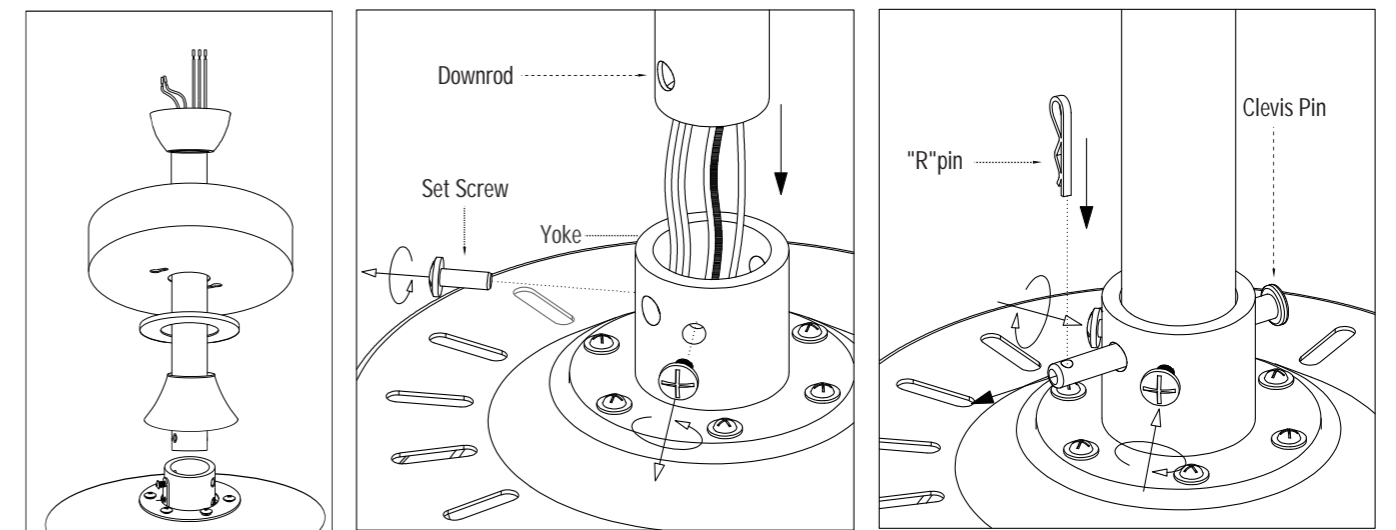
Step 1. Assemble the Canopy and coupling cover, route wires from the fan through the downrod.

Step 2. Loosen the set screw from the yoke but do not take off, align the holes at the bottom of the downrod with those in the yoke.

Step 3. Carefully insert the clevis pin (FF) through the holes in the yoke and downrod (Be careful not to jam the clevis pin against the wires inside the downrod).

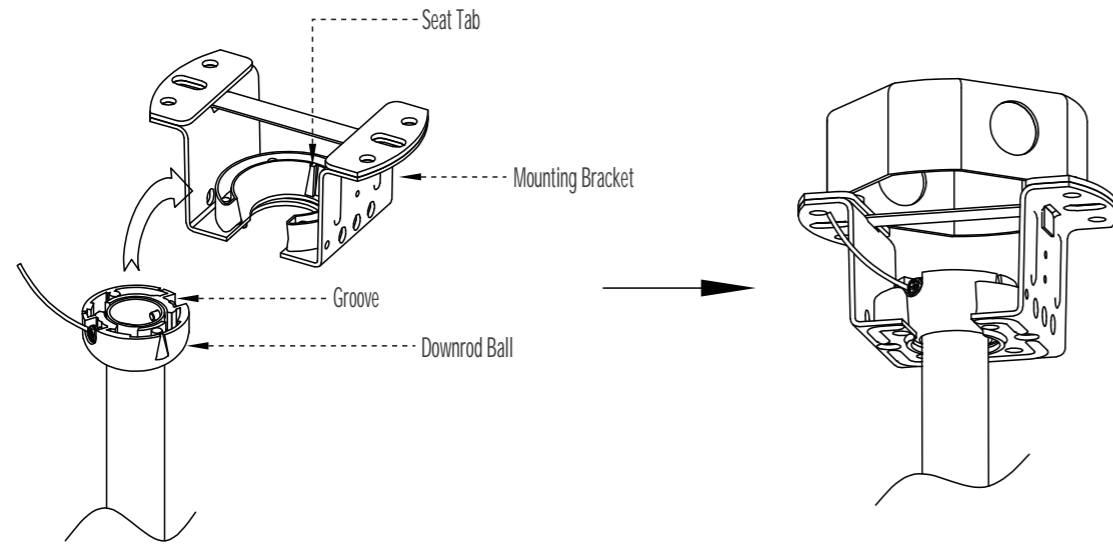
Step 4. Insert the "R" pin (FF) into the end of the clevis pin.

Step 5. Tighten the set screw on the yoke to secure the downrod.



### 3. Hanging the Fan

Step 1. Lift the downrod into the mounting bracket. Rotate the downrod until the tab in the mounting bracket is seated in the fixation slot in the downrod ball.

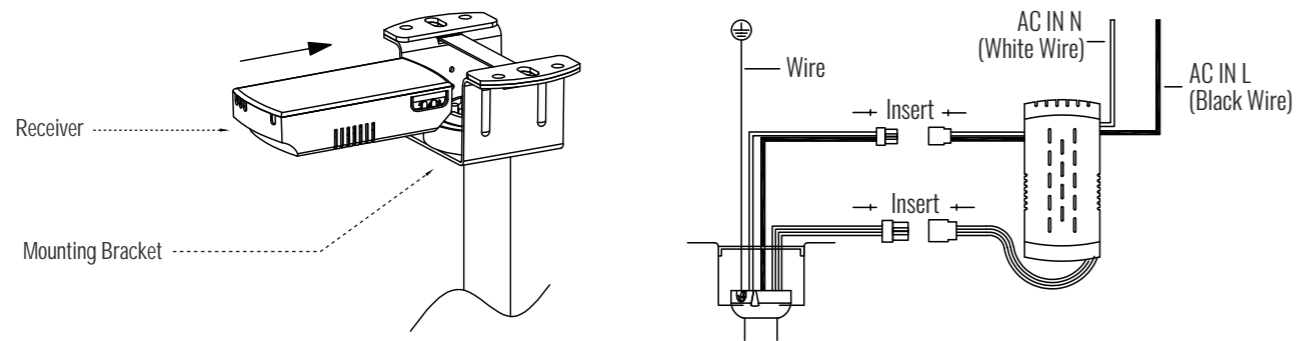


### 4. Wiring

Step 1. Insert the receiver to the mounting bracket

Step 2. Connect the wires from the fixture to the house supply wires with wire nuts (AA), ground wire (green, green/yellow, or bare copper) to ground wire, neutral wire (white or blue) to neutral wire, and hot wire (black or brown) to the hot wire.

Step 3. Wrap the connection with electrical tape.



Note:

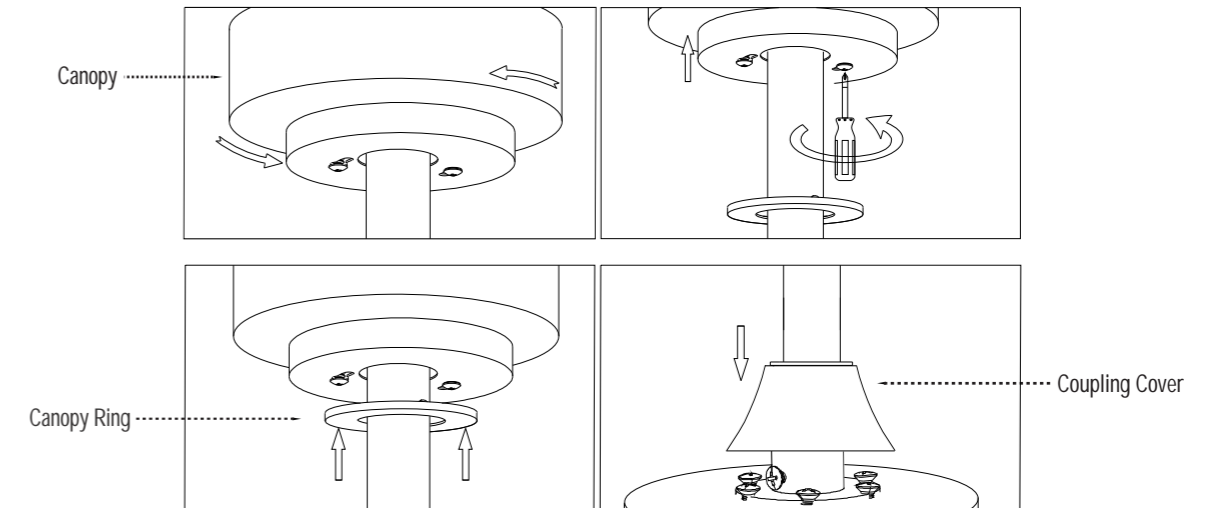
- ① This fan only needs one set of input wires (black, white, and ground wire). Both of the fan and lights will be controlled by the remote controller.
- ② This fan can only be connected to an on/off switch if you have one, not a dimmer switch.

### 5. Attaching the Canopy

Step 1. Slide the canopy up to the ceiling and attach it to the mounting bracket with the screws provided.

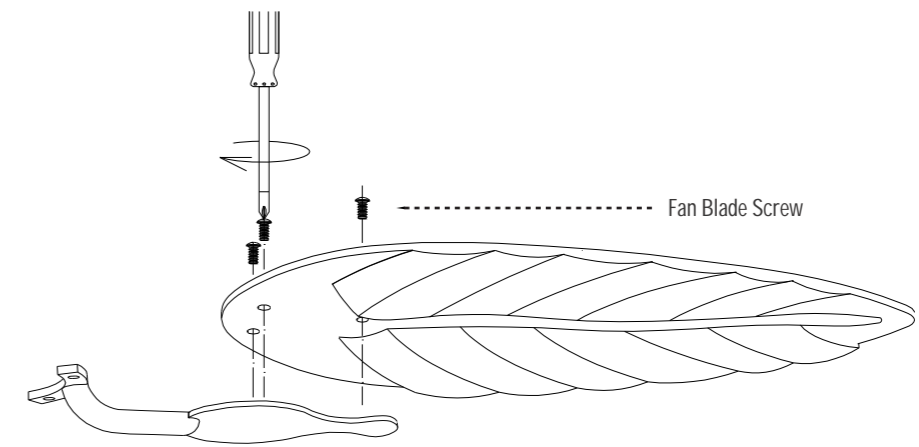
Step 2. Slide the canopy ring up to the canopy.

Step 3. Slide the coupling cover downward to cover the yoke.



### 6. Assembling the Fan Blade

Align the fan blades with the mounting holes, fix them with blade screws (BB).



Note: Make sure to assemble the blades in sequence and fasten the screws with equal force.