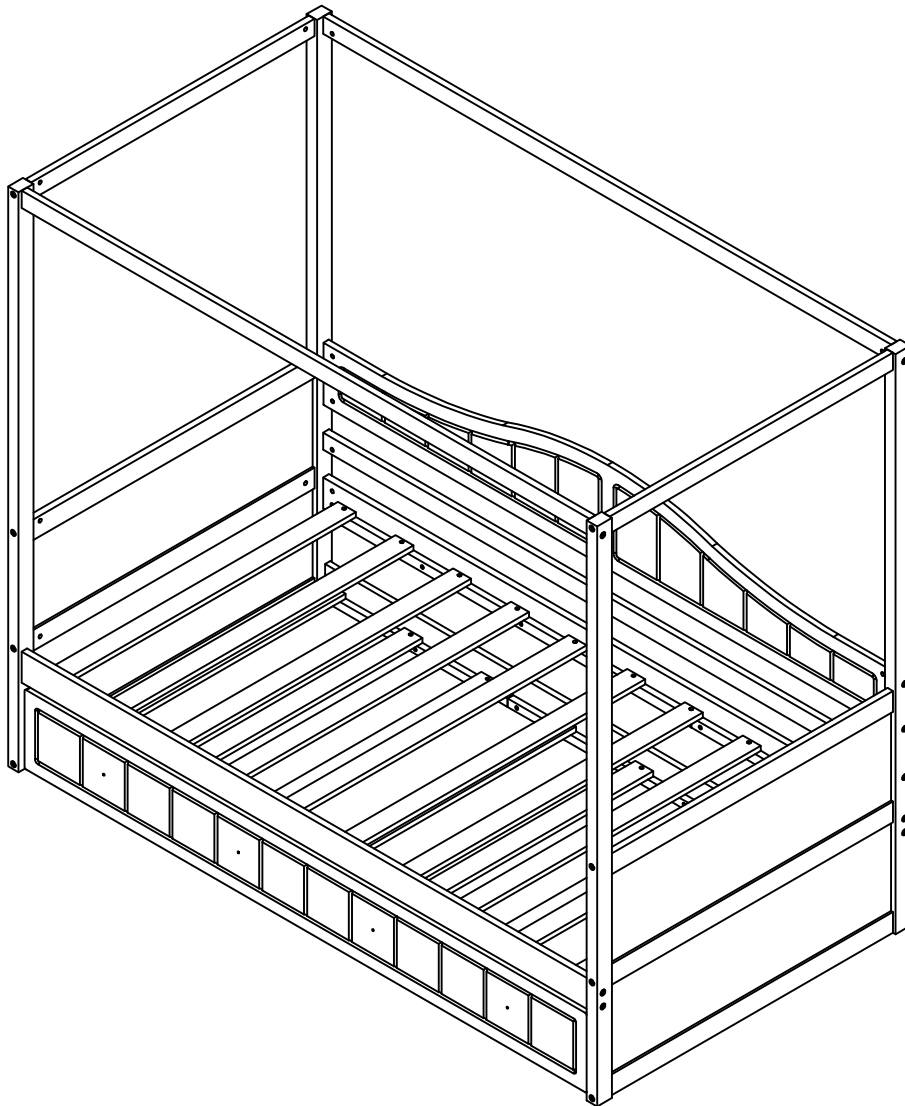
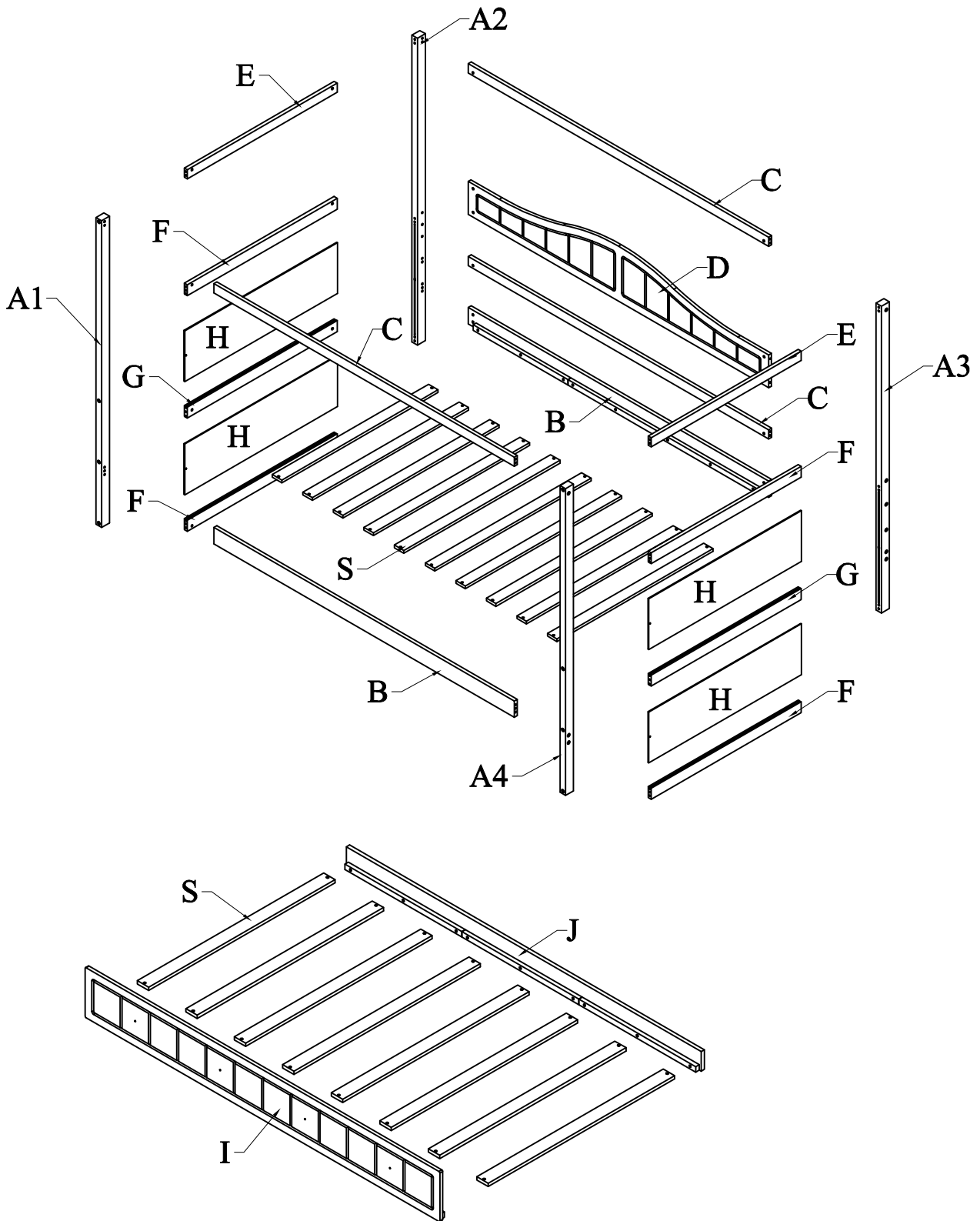


ASSEMBLY INTRUCTIONS



DETAIL VIEW



BOX 1:

A1



Front leg - left (1pc)

A2



Back leg - left (1pc)

A3



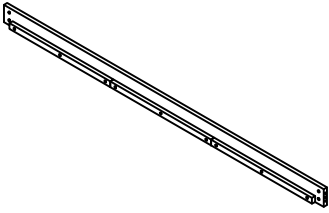
Back leg - right (1pc)

A4



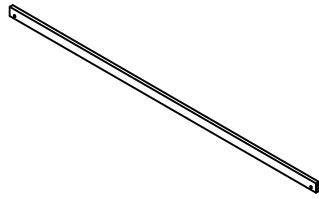
Front leg - right (1pc)

B



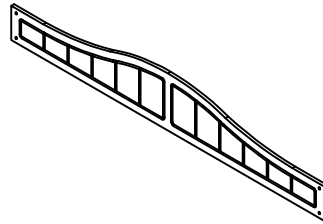
Side rail (2pcs)

C



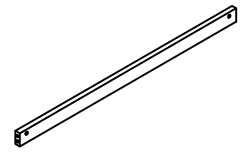
Back rail (2pcs)

D



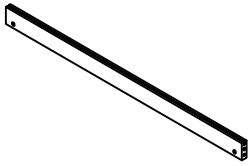
Back panel (1pc)

E



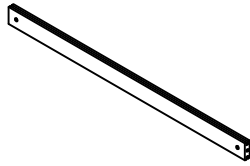
Horizontal rail - top (2pcs)

F



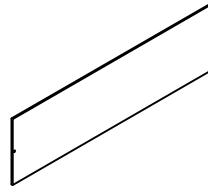
Horizontal rail - bottom (4pcs)

G



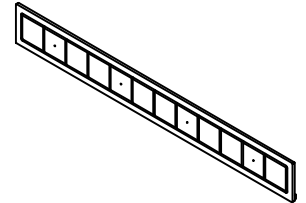
Horizontal rail - middle (2pcs)

H



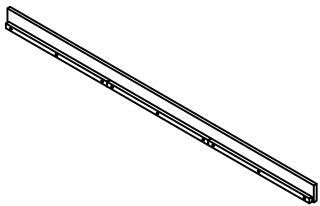
Side panel (4pcs)

I



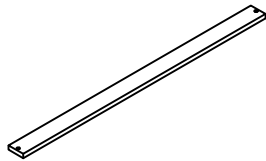
Front trundle (1pc)

J



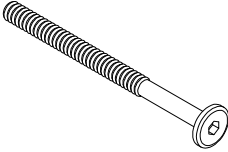
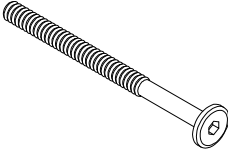

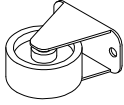
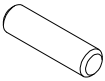

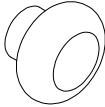
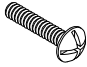
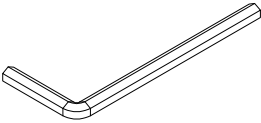
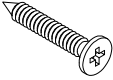

Back trundle (1pc)

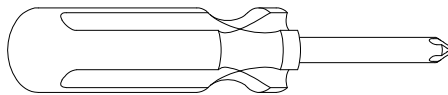
S



Slats (18pcs)

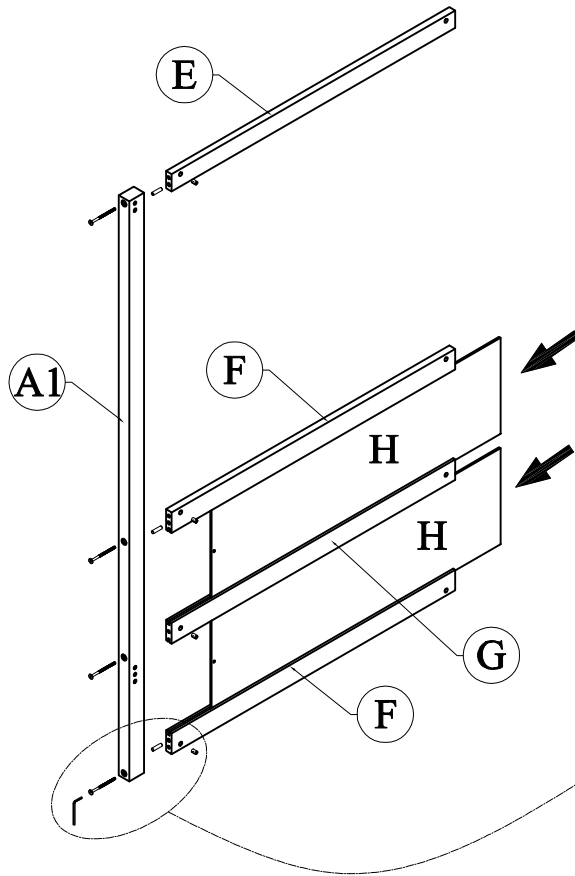
HARDWARE LIST:



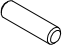
<p>1</p>  <p>Hex - Head bolts Ø1/4" * 90 - 16pcs</p>	<p>2</p>  <p>Hex - Head bolts Ø1/4" * 80 - 18pcs</p>	<p>3</p>  <p>Horizontal - Hold bolts Ø1/4" - 34pcs</p>	<p>4</p>  <p>Wheel 4pcs</p>
<p>5</p>  <p>Wood dowel Ø8 * 30 - 24pcs</p>	<p>6</p>  <p>L - Bracket - 4pcs</p>	<p>7</p>  <p>Handle - 4pcs</p>	<p>8</p>  <p>Round crews Ø5/32" * 22 - 4pcs</p>
<p>9</p>  <p>Allen key K4 - 1pc</p>	<p>10</p>  <p>Wood crews M4 * 25 - 36pcs</p>	<p>11</p>  <p>Wood crews M3.5 * 15 - 16pcs</p>	

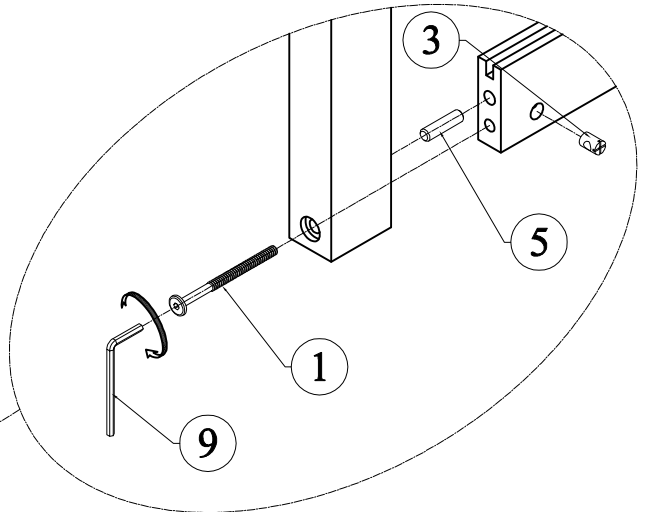


Assembly Tools Required (Not Included)

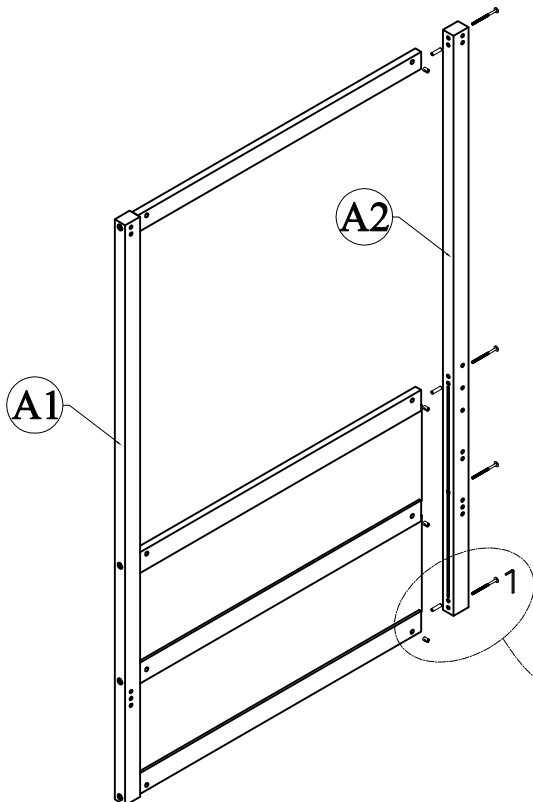
STEP 1






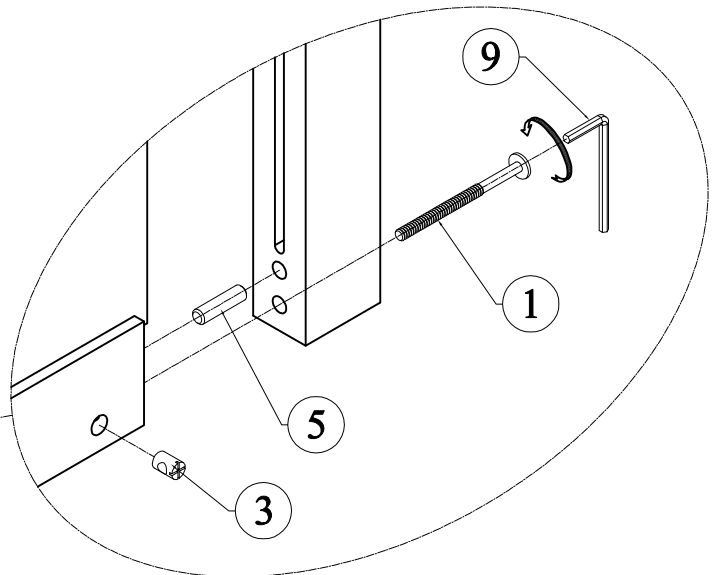
<p>1</p>  <p>Hex - Head bolts Ø1/4" * 90- 4pcs</p>	<p>3</p>  <p>Horizontal - Hold bolts Ø1/4" - 4pcs</p>	<p>5</p>  <p>Wood dowel Ø8 * 30 - 3pcs</p>
---	---	--



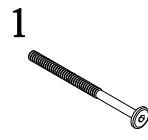
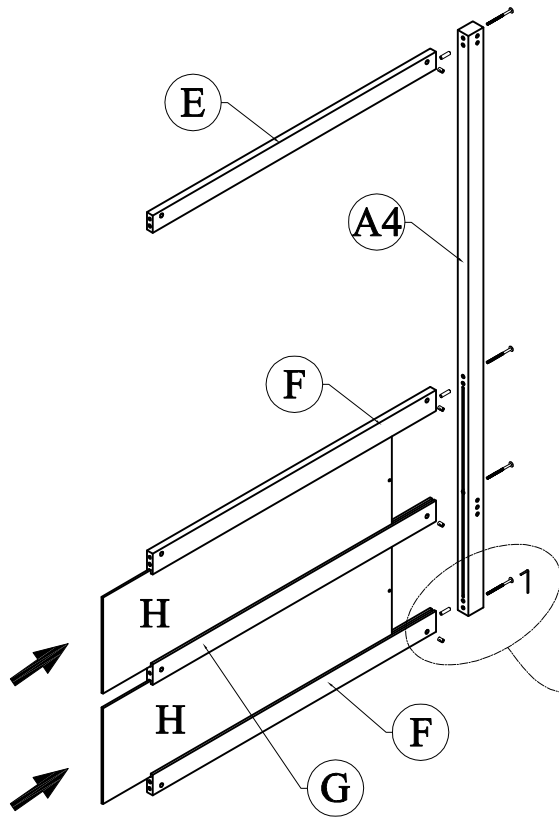
STEP 2



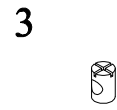
<p>1</p>  <p>Hex - Head bolts Ø1/4" * 90- 4pcs</p>	<p>3</p>  <p>Horizontal - Hold bolts Ø1/4" - 4pcs</p>	<p>5</p>  <p>Wood dowel Ø8 * 30 - 3pcs</p>
---	---	--



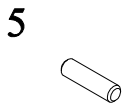
STEP 3



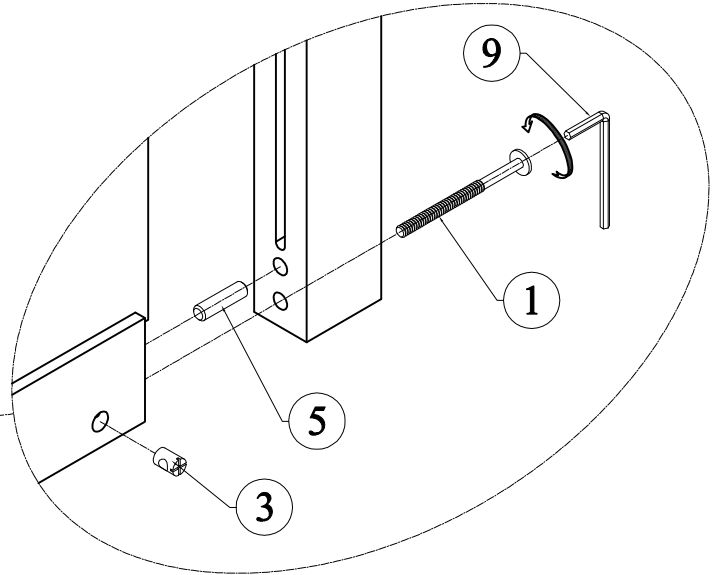
1
Hex - Head bolts
Ø1/4" * 90- 4pcs



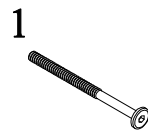
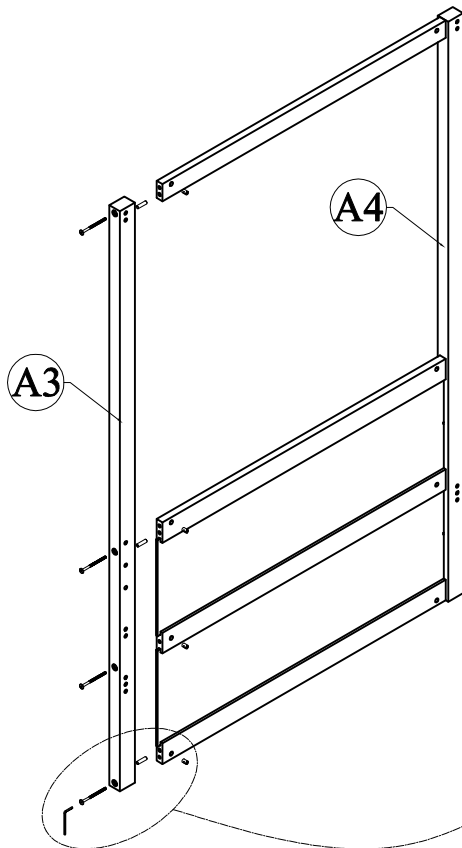
3
Horizontal - Hold bolts
Ø1/4" - 4pcs



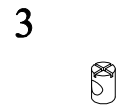
5
Wood dowel
Ø8 * 30 - 3pcs



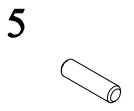
STEP 4



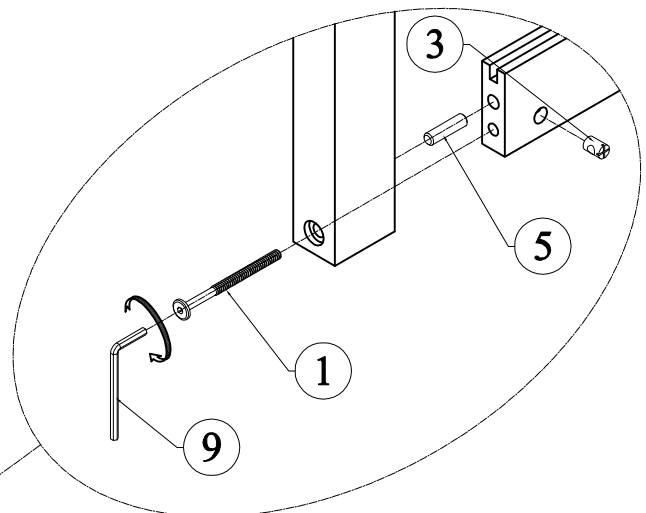
1
Hex - Head bolts
Ø1/4" * 90- 4pcs





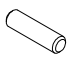
3
Horizontal - Hold bolts
Ø1/4" - 4pcs

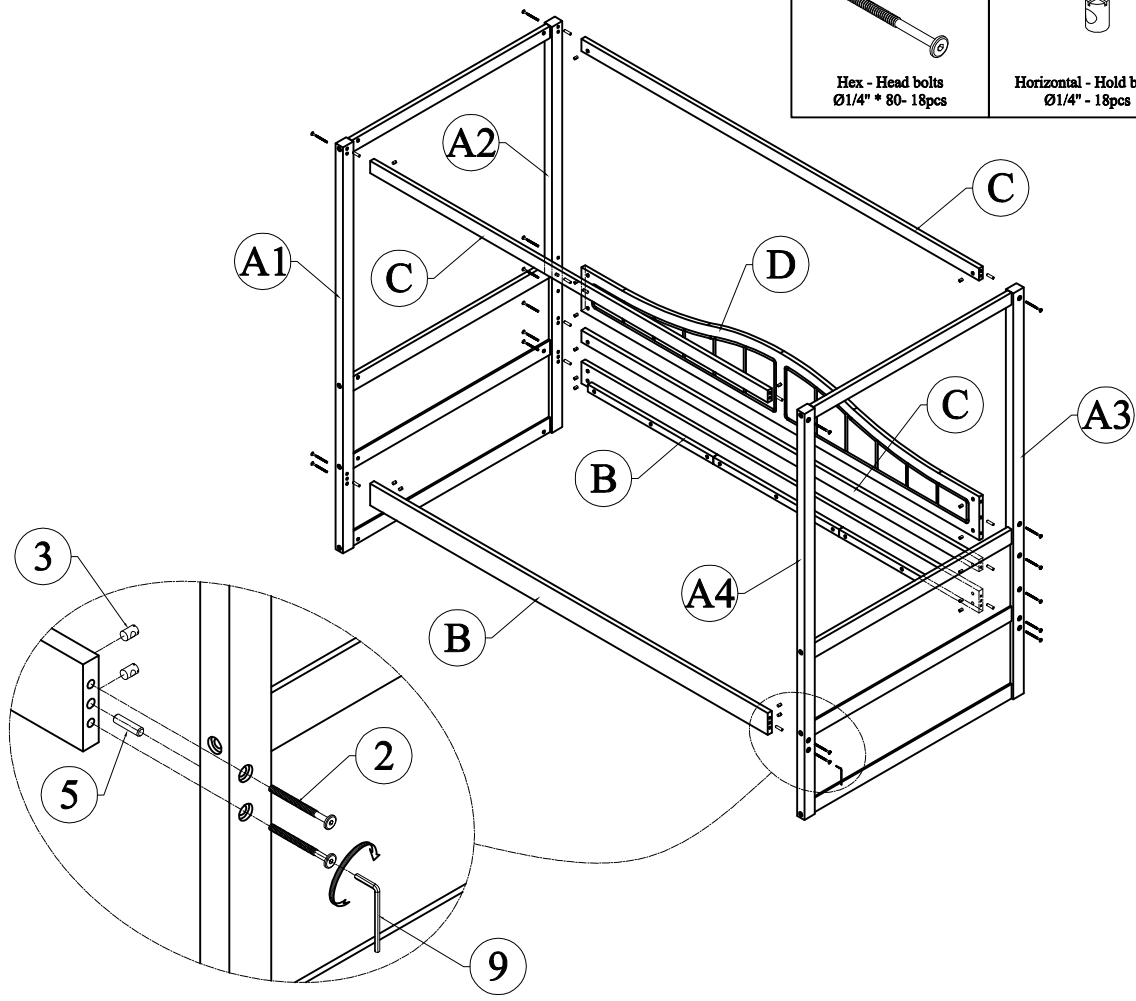


5
Wood dowel
Ø8 * 30 - 3pcs




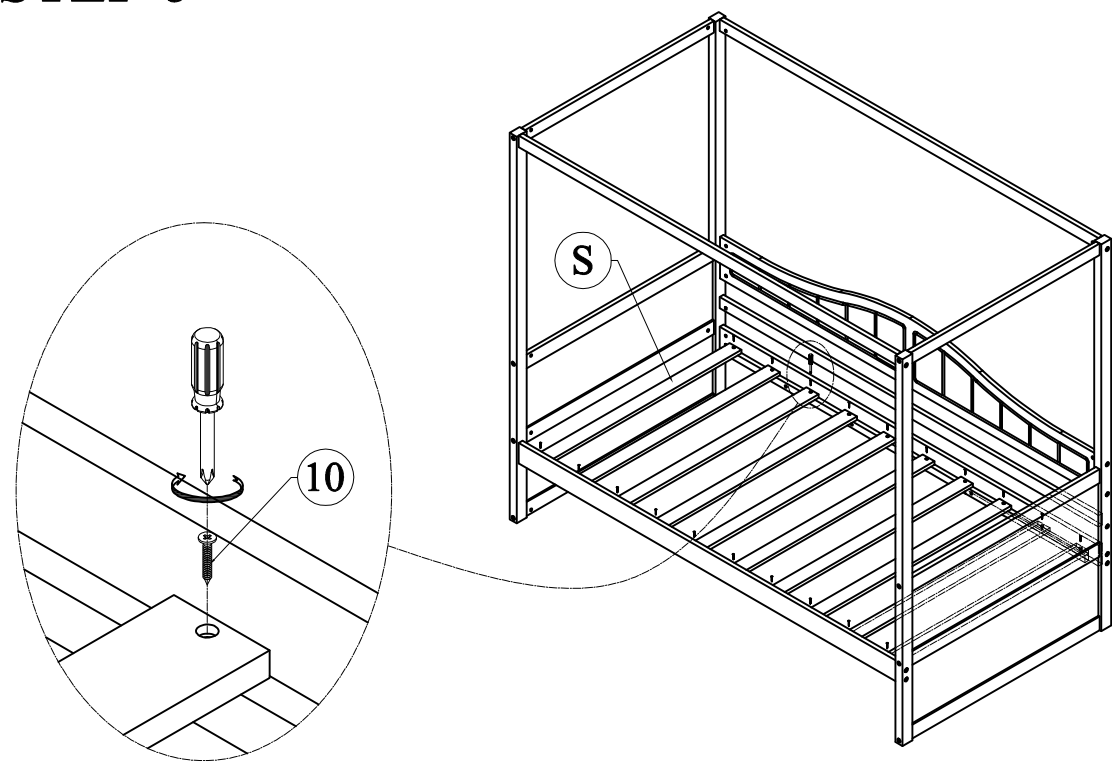
STEP 5

- | | | |
|---|---|--|
| 2

Hex - Head bolts
Ø1/4" * 80- 18pcs | 3

Horizontal - Hold bolts
Ø1/4" - 18pcs | 5

Wood dowel
Ø8 * 30 - 12pcs |
|---|---|--|

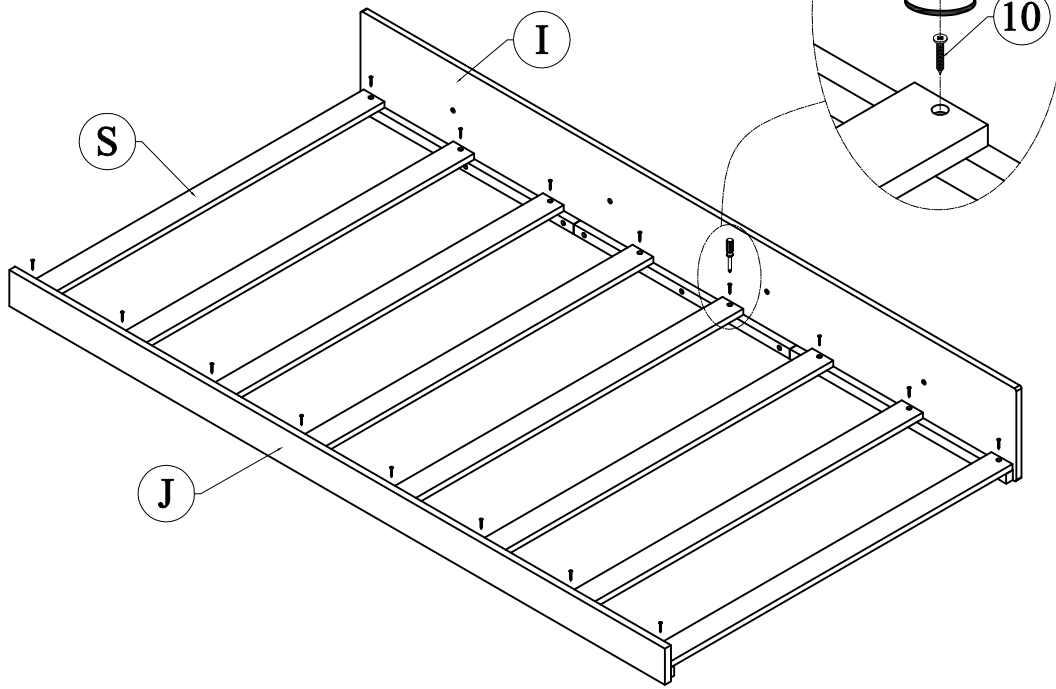


STEP 6

- | |
|---|
| 10

Wood crews
M4 * 25 - 20pcs |
|---|



STEP 7

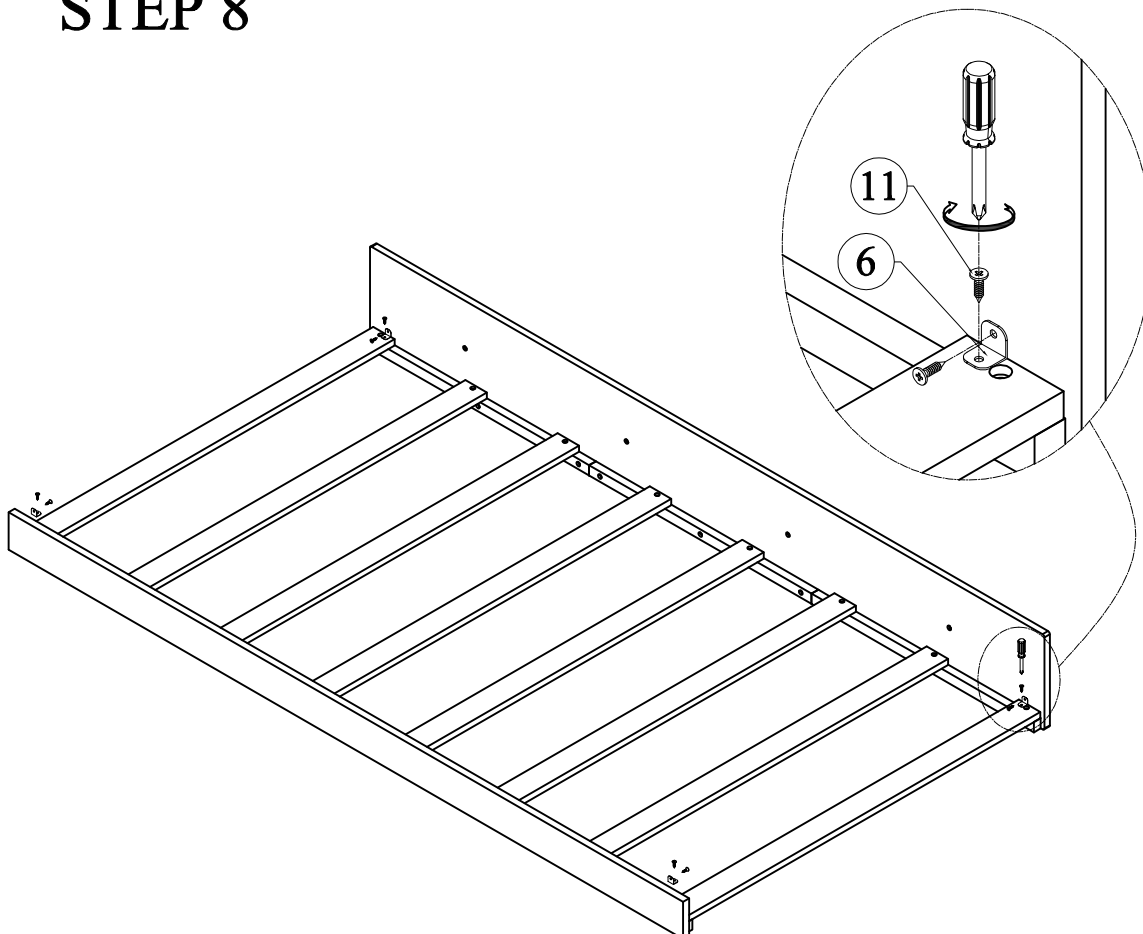


10



Wood screws
M4 * 25 - 16pcs

STEP 8



6



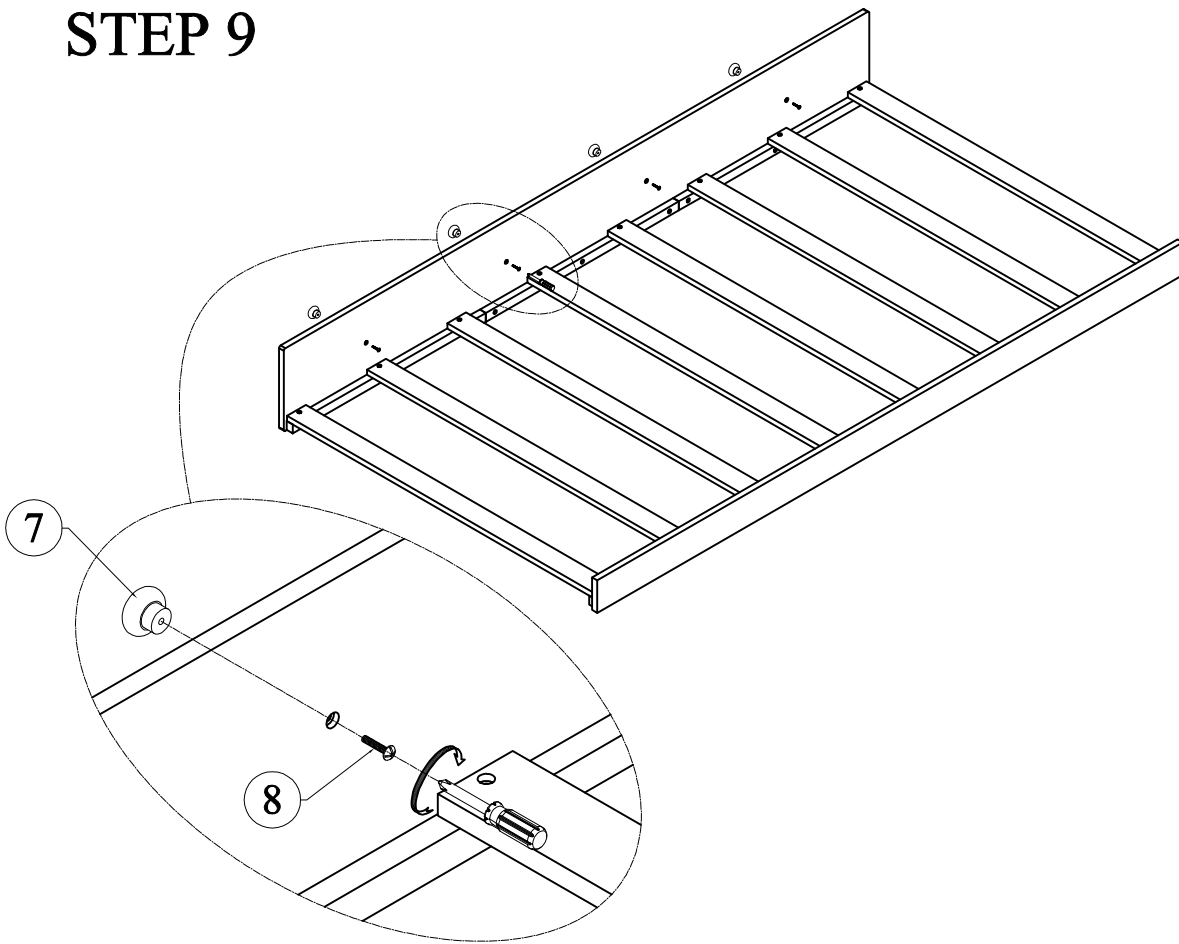
L - Bracket - 4pcs

11



Wood screws
M3.5 * 15 - 8pcs

STEP 9



7



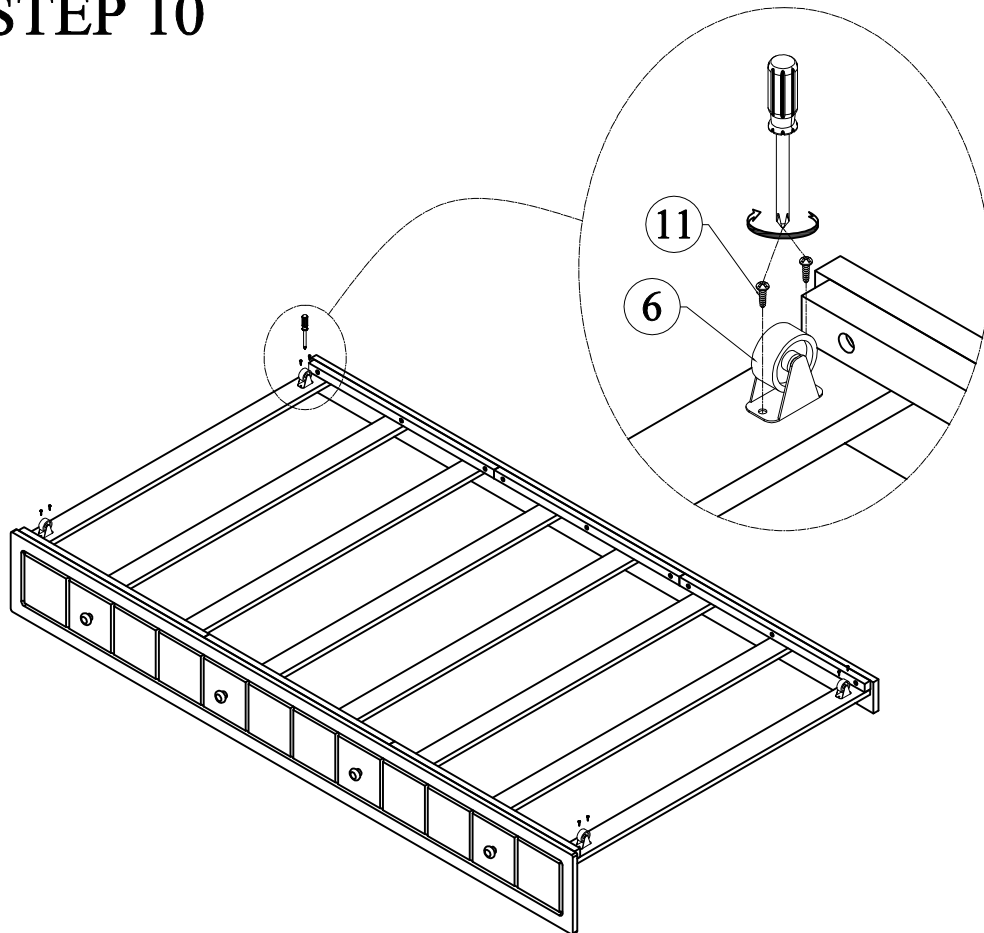
Handle - 4pcs

8



Round crews
Ø5/32" * 22 - 4pcs

STEP 10



6



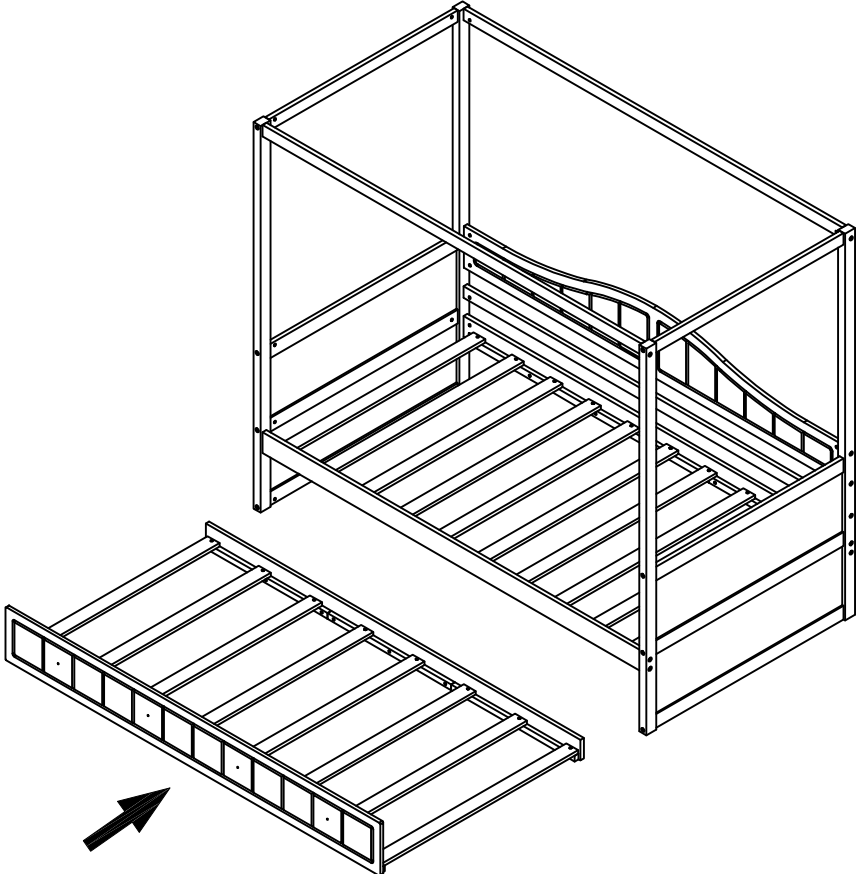
L - Bracket - 4pcs

11



Wood crews
M3.5 * 15 - 8pcs

STEP 11



COMPLETED

