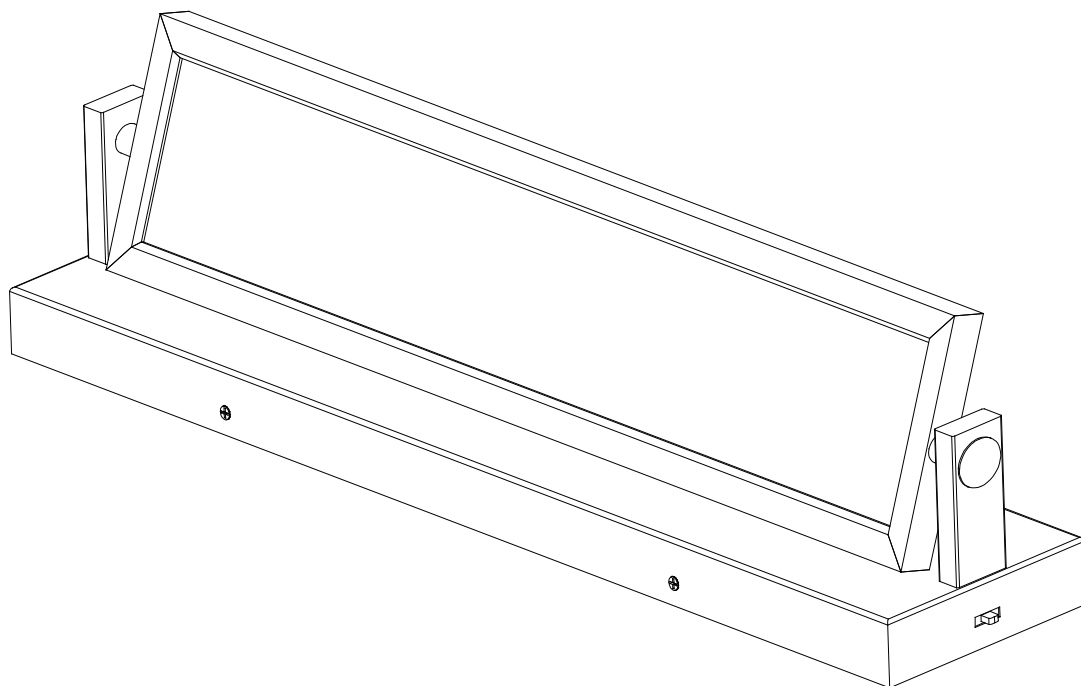



USE AND CARE GUIDE

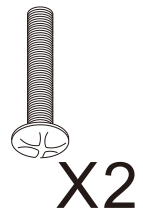
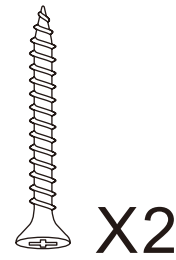
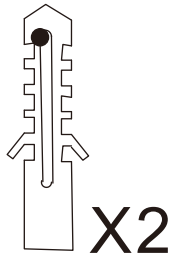
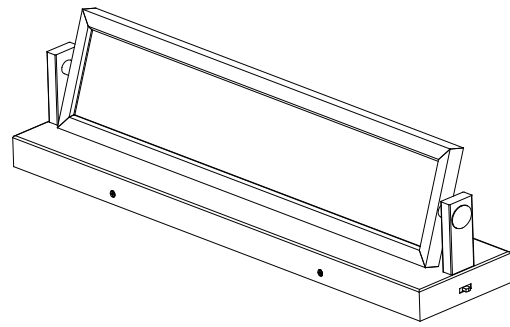


———— WALL LAMP ————

Pre-Installation

PACKAGE CONTENTS

 NOTE: Hardware not shown to actual size.

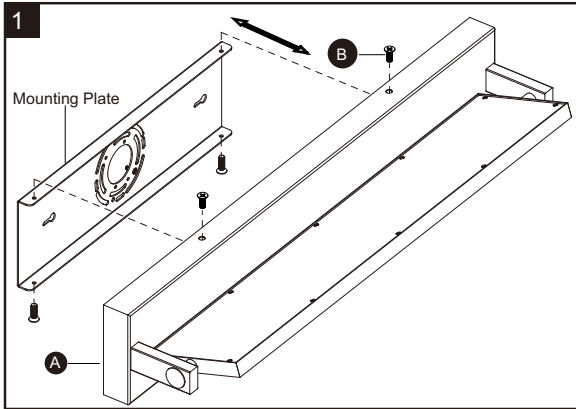


Installing the Light

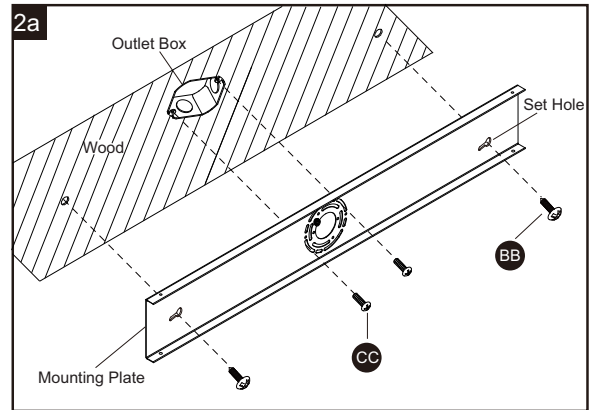


WARNING: To avoid possible electrical shock, turn the electricity off at the main fuse box before wiring. If you feel you do not have enough electrical wiring knowledge or experience, contact a licensed electrician.

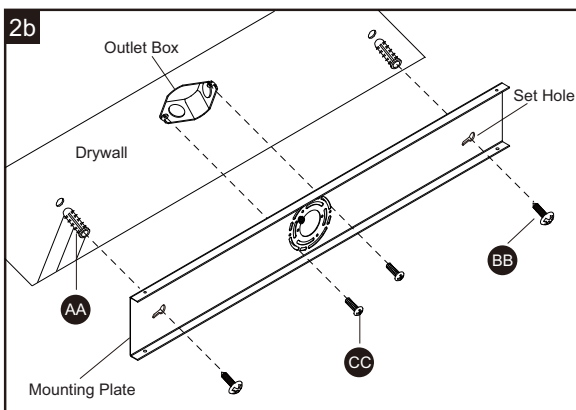
- Remove four set screws (B) to separate the mounting plate from backplate (A).



- **For Mounting to Wood:** Attach the mounting plate to the outlet box by using two mounting screws (CC), then secure the drywall screws (BB) through the set holes to the wall.

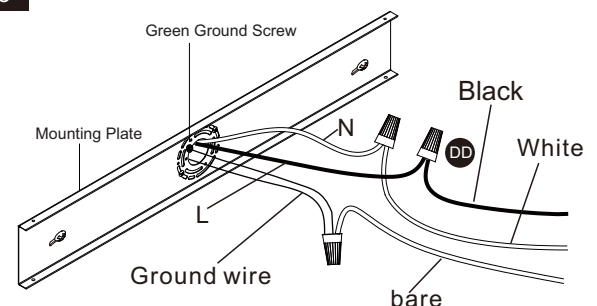


- **For Mounting to Drywall:** Place the mounting plate to the outlet box and mark the target on the wall from the set holes for drilling two holes, remove the mounting plate. Drill the holes and thread the anchors (AA) into the holes, then attach the mounting plate to the outlet box by using two mounting screws (CC). Secure the drywall screws (BB) through the set holes into the anchors (AA).



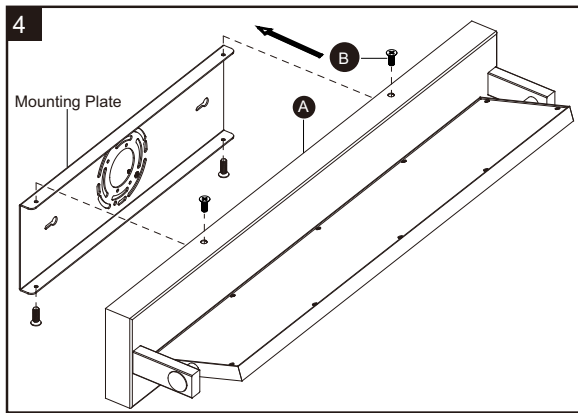
- Pull out the source wires from the outlet box. Make wire connections using wiring nut as follows:
 - Connect the black (hot) wire from the fixture to the black (hot) wire from the power source.
 - Connect the white (neutral) wire from the fixture to the white (neutral) wire from the power source.
 - Attach the fixture ground wire to the mounting plate with the green ground screw, then connect it to the house ground wire with a wire connector (DD). If your outlet box does not have a house ground wire, then wrap the fixture ground wire around the green ground screw.
- Carefully put the wires back into the outlet box.

3

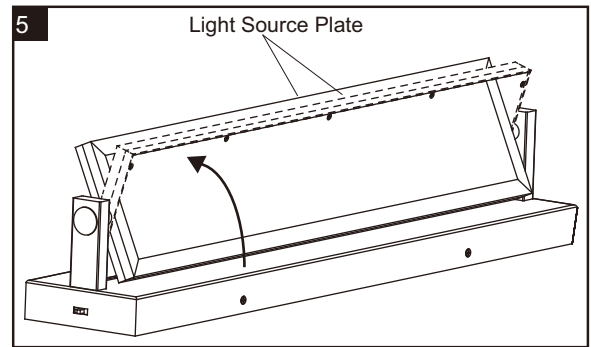


Installing the Light(continue)

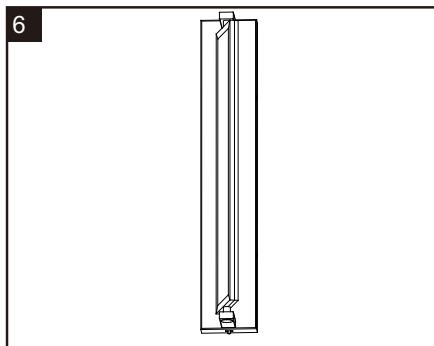
- Attach the backplate (A) to the mounting plate by aligning and inserting the four set screws (B) from the open holes of the backplate (A) into the open holes of the mounting plate.



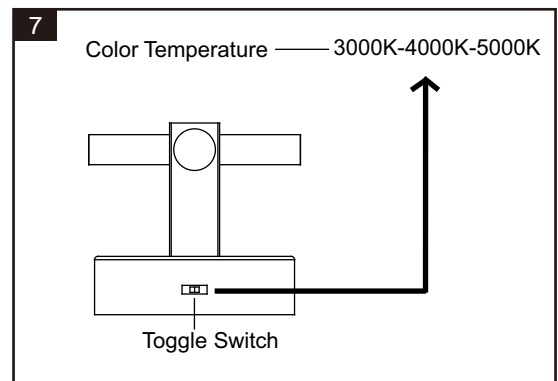
- The light source plate can be rotated as diagram shown.



- The fixture can be installed horizontally or vertically.



- Customize the color temperature of this LED light by using toggle switch.



Tips

- For daily cleaning, you can use a damp cloth to wipe the surface without using corrosive chemicals.
- Electrical products must be discarded in an environmentally friendly area.

Troubleshooting

- 1) **The light does not work:**
 - a) Make sure circuit breaker are on.
 - b) Make sure the wiring is correct.
- 2) **Fuse blows or circuit trips when light is turned on.**

Check for crossed wires, ensure wiring is correct.