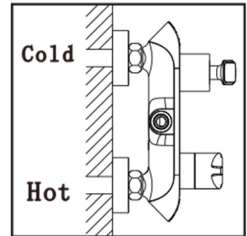
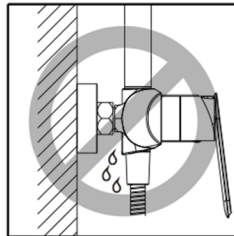
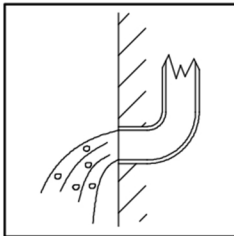
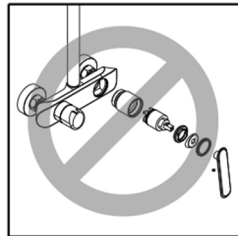
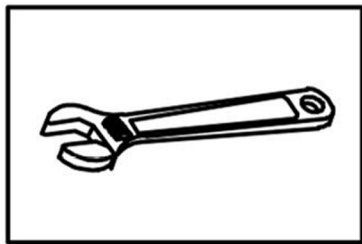


Installation precautions

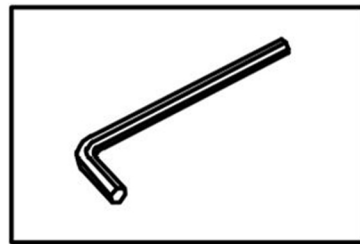
- a) After opening the product package, please check the completeness of the parts listed in the "Standard Parts List". If there are any defects, please contact your local dealer immediately.
- b) The installation size of the faucet should match the installation size of the embedded water inlet pipe.
- c) The main part of the faucet has been tested and debugged by the factory. Do not disassemble it by yourself to avoid affecting the performance.
- d) The faucet must be connected with the hot and cold water pipes. Pay special attention to the hot water on the left and cold water on the right.
- e) Before installing the faucet, be sure to remove the impurities and sludge in the buried pipeline first, so as not to block and affect the water output function.
- f) After installation, please turn on the water source switch, and then check whether the links are tightly connected to ensure that there is no leakage.
- g) The internal structure of the faucet contains non-high temperature resistant components such as silica gel. Do not use it in high temperature environments. Do not use it for a long time at a water temperature exceeding 90 ° C.
- h) It is recommended to use water pressure: 0.05Mpa-0.75Mpa.
- i) Do not bend the hose excessively. Make sure that the hose is not deformed after installation.



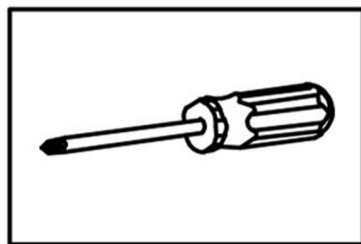
Recommend Tools And Materials



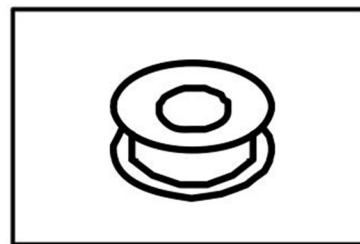
Adjustable Wrench



Hexagon wrench

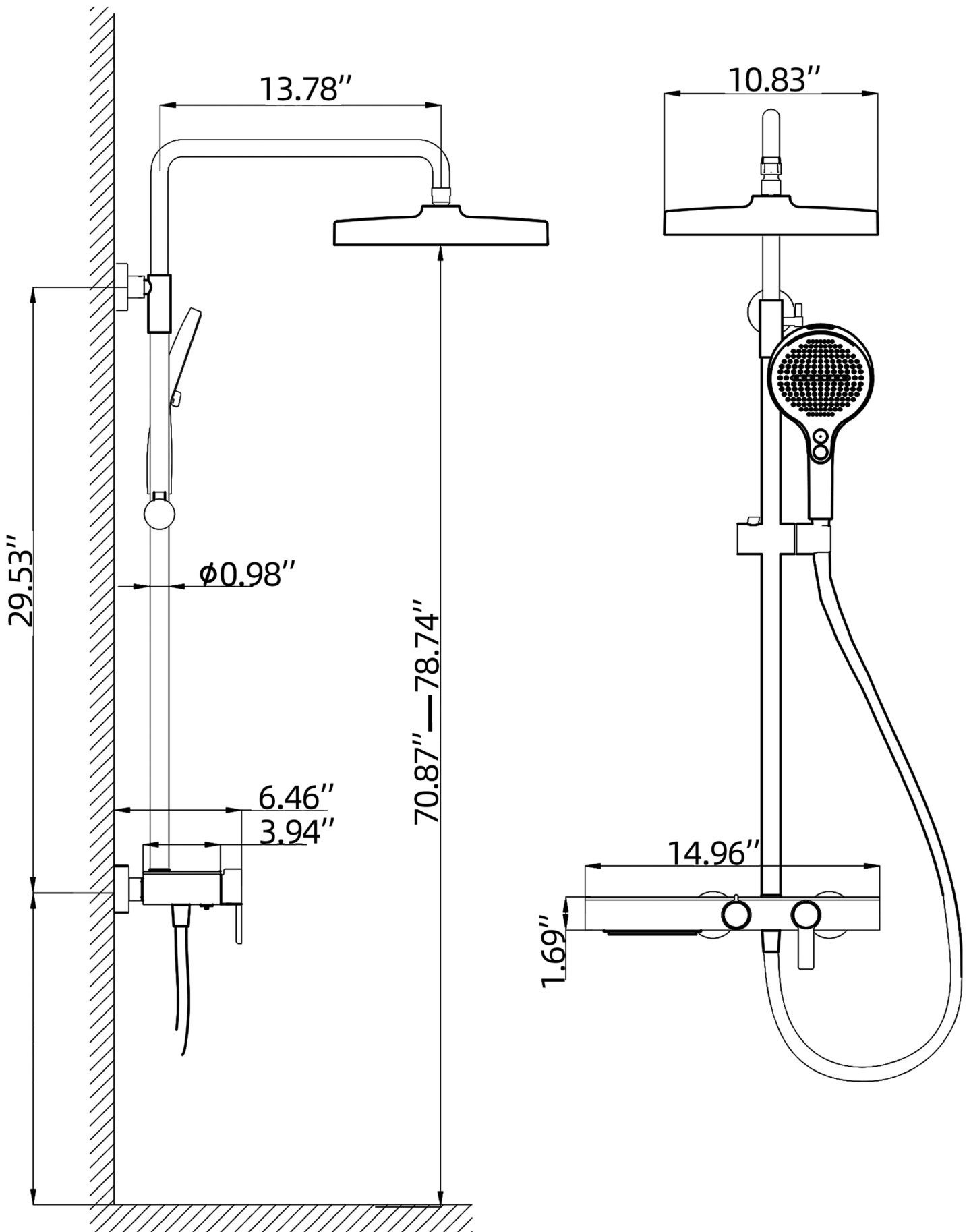


Philips Screwdriver



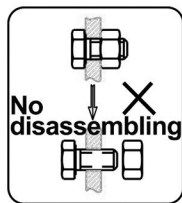
Pipe Tape

Product size

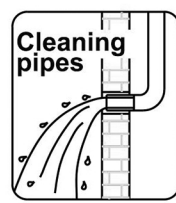


INSTALLATION STEPS

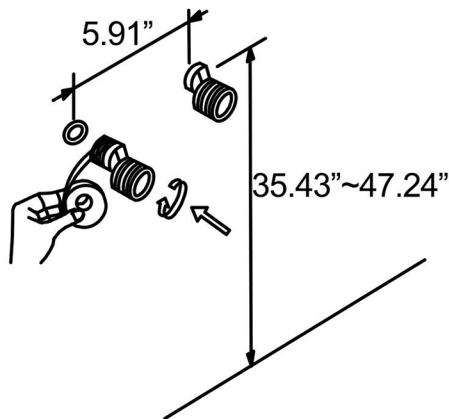
This product has been inspected and debugged by the factory to the best condition. Please do not disassemble and assemble it yourself.



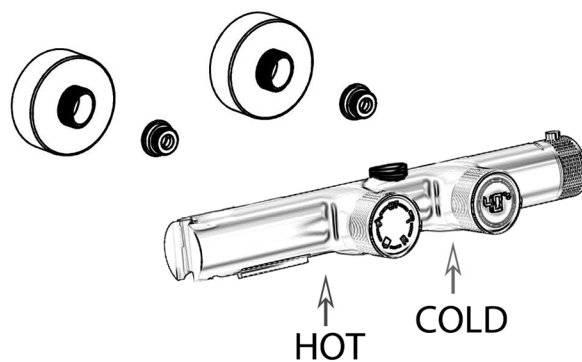
Before installing the product, please be sure to remove sundries and sludge from the water pipe to prevent sundries from blocking the product.



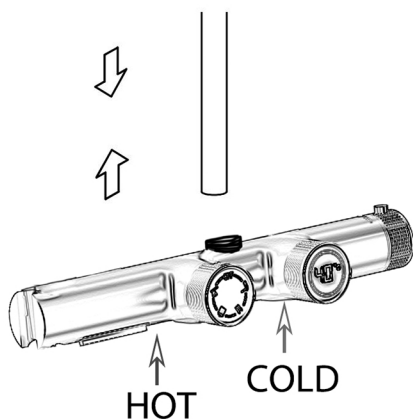
1. As shown, install the accessories and attach the tape.



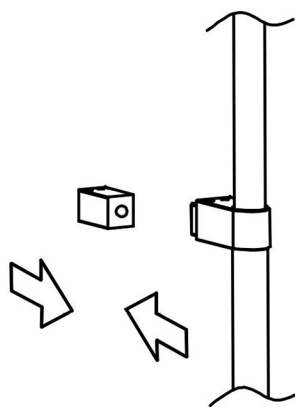
2. Install the main body and rubber pad.



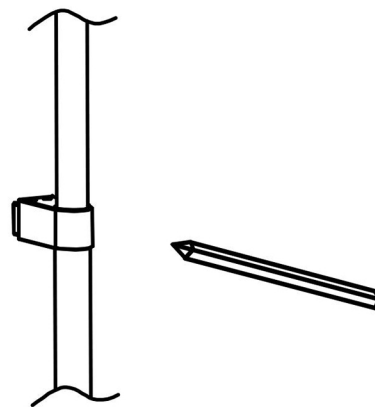
3. Install the riser on the faucet.



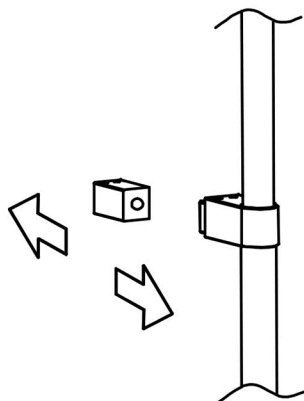
4. Install the mounting piece on the shower arm.



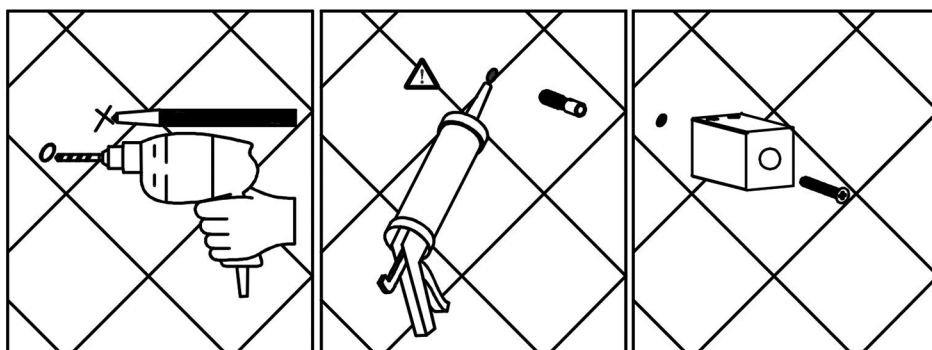
5. Make sure the riser is level, mark the position of the screw holes.



6. Remove the riser and the mounting piece.

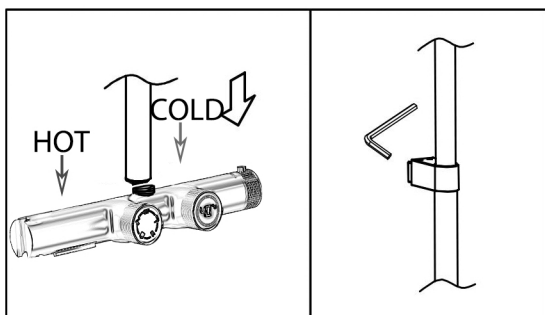


7. Drill the screw holes and install the anchors. Install the mounting piece and mounting piece seal.

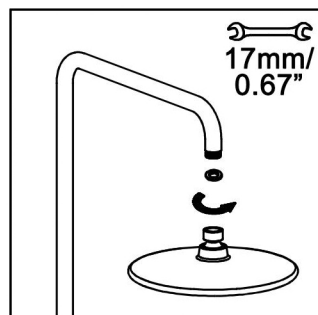


INSTALLATION STEPS

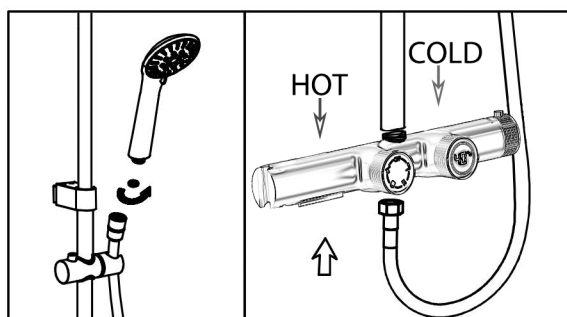
8. Install the riser on the faucet, tighten the screw.



9. Install the rain shower head.



10. Place the hose washer in the short hose end connection. Connect this end of the hose to the main body. Place the screen washer in the long hose end connection. Install the hand shower on this end of the hose. Rest the hand shower in the holder.



Care and maintenance

1. Wash the surface of the faucet frequently with water, and then dry it with a cotton cloth
2. It is strictly prohibited to use acid cleaning agent to corrode the faucet surface and affect the service life
3. It is strictly forbidden to disassemble each part of the faucet by itself, which can easily cause the risk of water seepage
4. If the tap water output becomes smaller, check whether the inlet pipe and bubbler are blocked by scale and clean up