

WS 33

Features

- Magnifying Makeup Mirror
- Available in 2 Finishes: Chrome and Matte Black
- Solid Brass Base
- Magnification 5X, Double Sided with Plain and Magnifying Mirror
- Double Arm, Extendable, Swiveling
- Free of Distortion



SKU# | Option:

- WS 33 CR | Polished Chrome
- WS 33 BM | Matte Black

Finishes:

 Polished Chrome

 Matte Black

* WS Bath Collections reserves the right to revise dimensions or information on this sheet without notice

Collection
Spiegel

Model |
WS 33

Dimensions Metric

1 inch = 2.54 cm

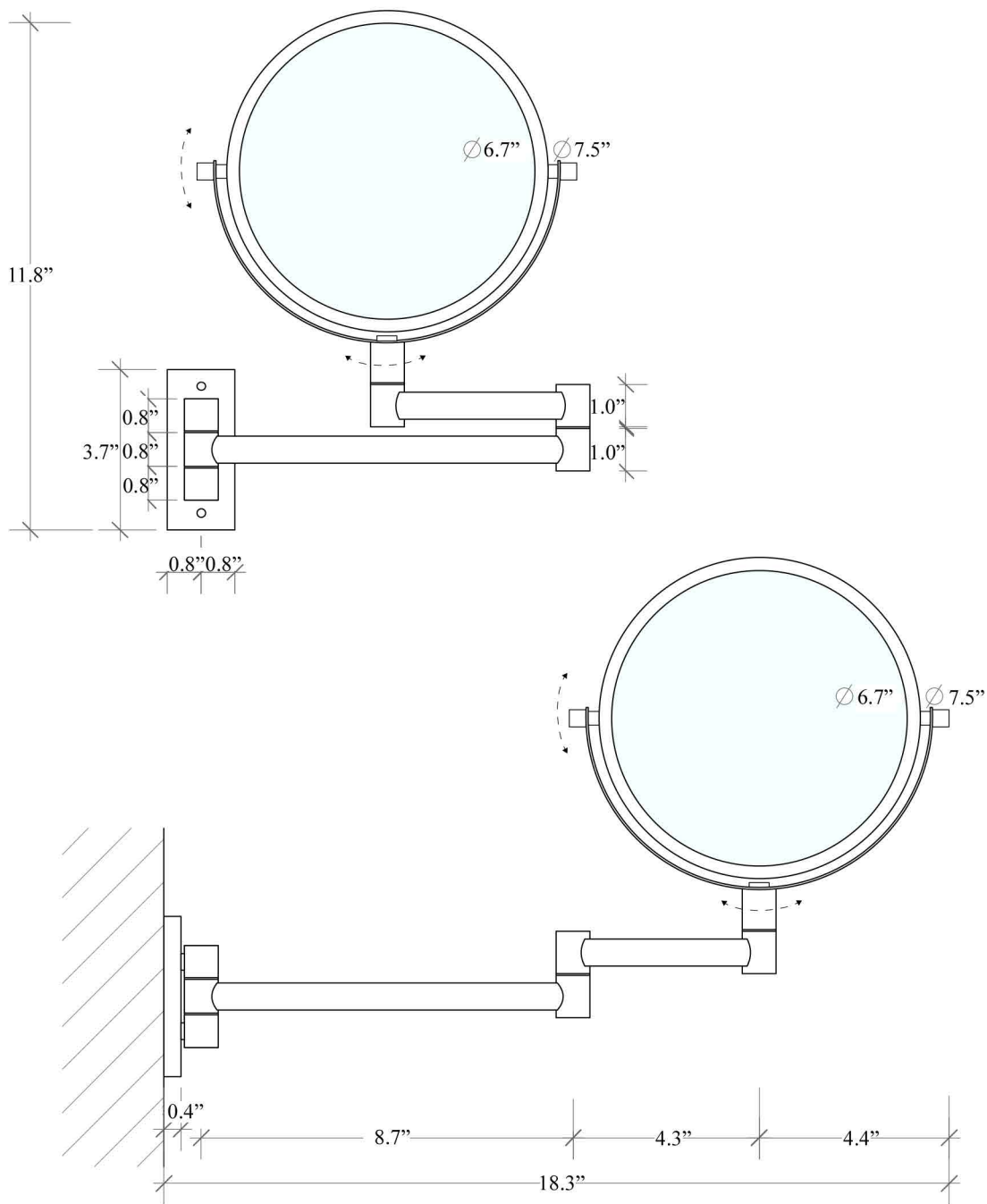
1 inch = 25.4 mm



1051 Lea Drive - Collegeville, PA 19426
Tel. 215 513 9400 - Fax 610 831 0215

www.ws bathcollections.com - info@ws bathcollections.com

Product Specs Sheets



Collection
WS

Model |
WS 33

Dimensions Metric
1 inch = 2.54 cm
1 inch = 25.4 mm

WS[®]
BATH
COLLECTIONS

1051 Lea Drive - Collegeville, PA 19426
Tel. 215 513 9400 - Fax 610 831 0215
www.ws bathcollections.com - info@ws bathcollections.com