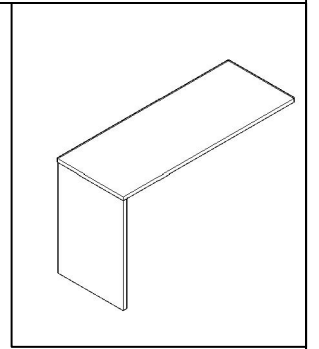
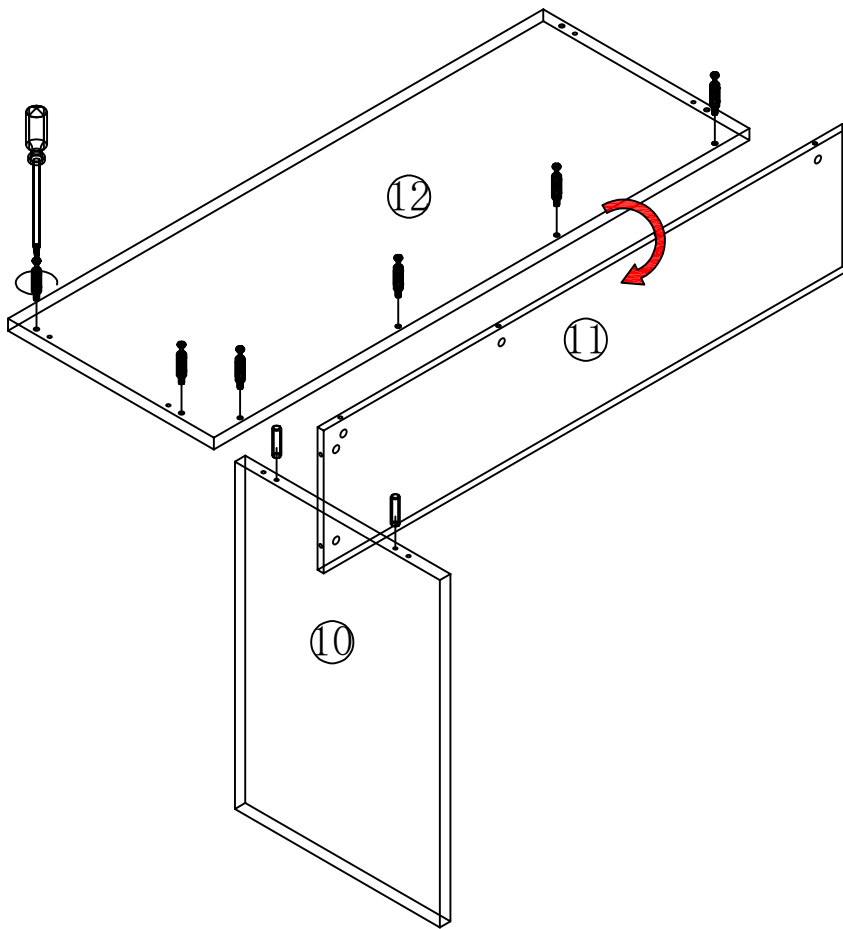


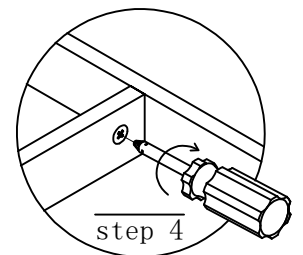
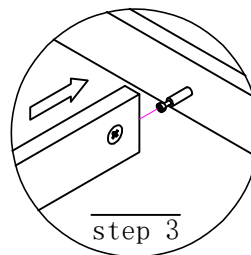
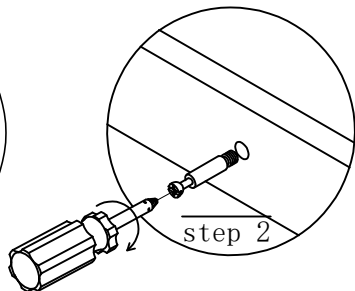
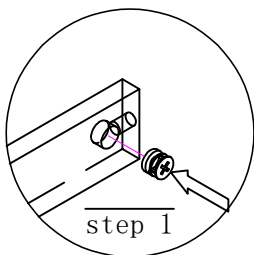
Multi Function Desk



A *8PCS	B *8PCS	F *2PCS	G *2PCS

Installation Instructions

Notes: Don't tighten screws completely at first, just in case parts were assembled wrongly and need disassemble. Tighten screws at last when all parts are put together.



TOOLS:

SET-UP TIME: 20 MINUTES

NUMBER OF PERSONS: 02