

# IMPORTANT INSTRUCTIONS

When using electrical appliances, basic precautions should always be followed to reduce the risk of fire, electrical shock, and injury to persons including the following:

1. Read all instructions before using this appliance.
2. This appliance is hot when in use. To avoid burns, do not let bare skin touch hot surfaces. If provided, use handles when moving this appliance. Keep combustible materials, such as furniture, pillows, bedding, papers, clothes and curtains at least 3 feet (0.9 m) from the front of this appliance. **WARNING:** In order to avoid overheating, do not cover the heater.
3. **CAUTION:** Never leave the heater operating unattended. Extreme caution is necessary if unsupervised children or invalids are nearby.
4. The appliance is not to be used by children or persons with reduced physical, sensory or mental capabilities, or lack of experience and knowledge, unless they have been given supervision or instruction.

5. Always unplug this appliance when not in use.
6. Do not operate any heater with a damaged cord or plug or after the appliance malfunctions, or if it has been dropped or damaged in any manner.
7. If the supply cord is damaged, it must be replaced by the manufacturer, its service agent or similarly qualified persons in order to avoid a hazard.
8. Do not use outdoors.
9. This heater is not intended for use in bathrooms, laundry areas and similar indoor locations. Never locate this appliance where it may fall into a bathtub or other water container.
10. Do not run cord under carpeting. Do not cover cord with throw rugs, runners or the like. Arrange cord away from traffic areas and where it will not be tripped over.
11. To disconnect this appliance, turn controls to the off position, then remove plug from outlet.

12. Connect to properly grounded outlets only, See Fig.1. This heater is for use on 120 volts. Do not use a 2 prong adapters. Always plug heaters directly into a wall outlet/receptacle. Never use with an extension cord or relocatable power tap (power strip).

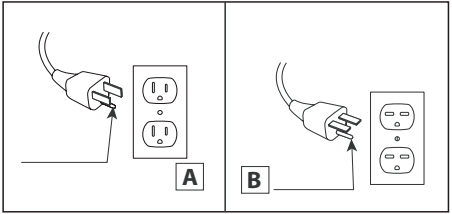
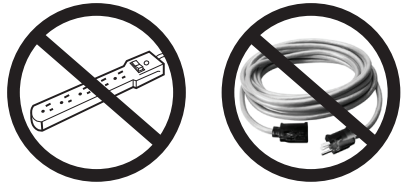


Fig.1



13. Do not insert or allow foreign objects to enter any ventilation or exhaust opening as this may cause an electric shock or fire, or damage the appliance.

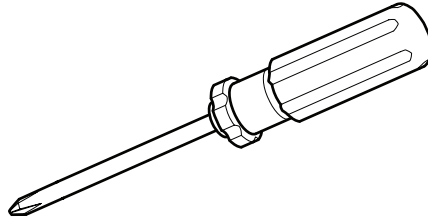
14. To prevent a possible fire, do not block air intakes or exhaust in any manner. Do not use on soft surfaces, like a bed, where opening may become blocked.

15. This appliance has hot and arcing or sparking parts inside. Do not use it in areas where gasoline, paint or flammable liquids are used or stored. This fireplace should not be used as a drying rack for clothing. Christmas stockings or decorations should not be hung in the area of it.
16. This appliance, when installed, must be electrically grounded in accordance with local codes or, in the absence of local codes, with the current CSA C22.2 Canadian Electrical Code or for U.S.A. installations, follow local codes and the National Electrical Code, ANSI/NFPA NO.70.
17. Use this appliance only as described in the manual. Any other use not recommended by the manufacturer may cause fire, electric shock or injury to persons.

**SAVE THESE INSTRUCTIONS**

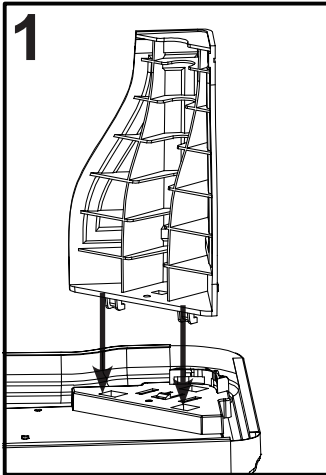
# INSTALLATION INSTRUCTIONS

## Tools Required for Assembly

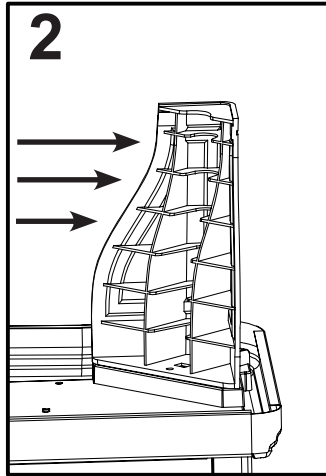


Phillips Head Screwdriver

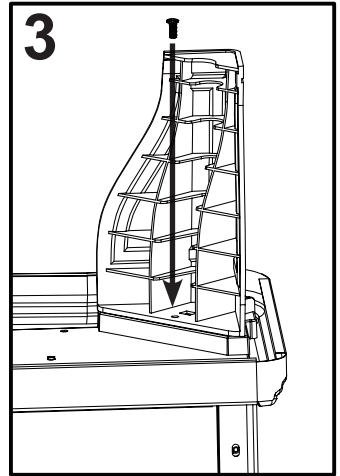
## Leg Assembly



1. Align the 2 mounting tabs into the bracket.

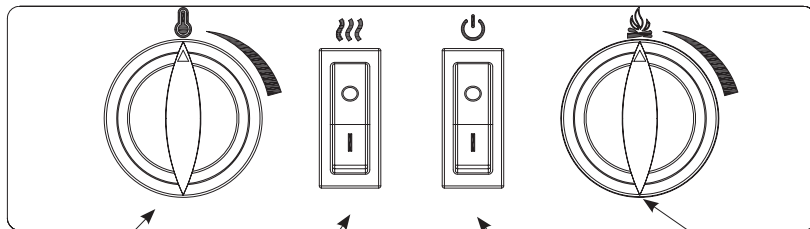
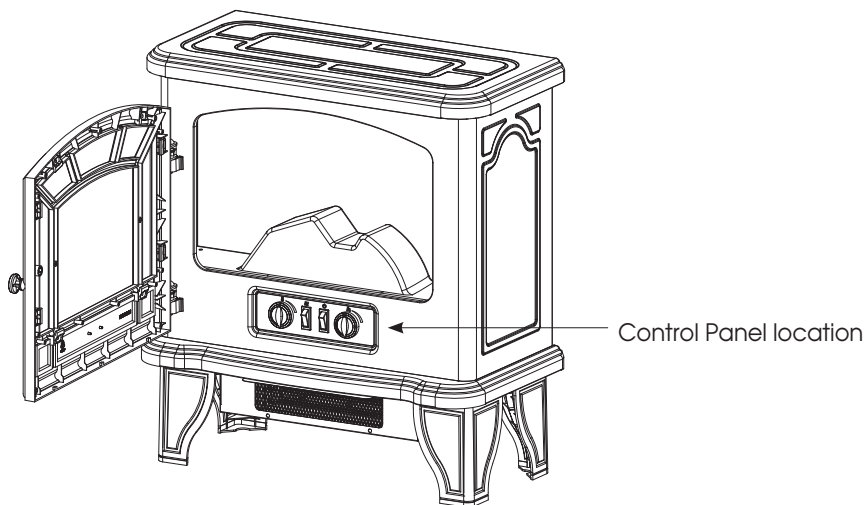


2. Slide the legs outward to lock in place. When locked in position the screw hole from step 3 will be aligned.



3. Fasten the legs to the base using the included screws, 1 per leg.

# OPERATION INSTRUCTIONS



## Thermostat Dial

1. Set the thermostat by turning the knob clockwise to allow the heater to warm up the room.
2. When the desired comfort level is reached, lower the thermostat by turning the knob counter clockwise until the unit shuts off.
3. The heater will now automatically maintain the desired comfort level by cycling the heater on and off.

## Heater Switch

1. This switch turns on and off the heater.
2. The switch will be illuminated when the heater is on.

## Power Switch

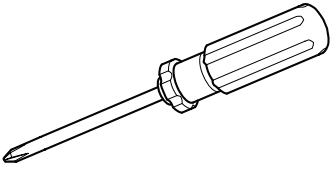
1. This switch turns on and off the main power.
2. The switch will be illuminated when the heater is on.
3. This switch needs to be on to use the heater.

## Flame Brightness Dimmer

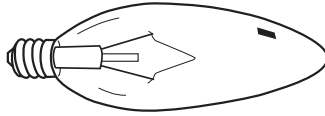
1. Turning the dial clockwise will increase the brightness of the flame effect.
2. Turning the dial counter clockwise will decrease the brightness of the flame effect.

# BULB REPLACEMENT

## Tools Required for Assembly

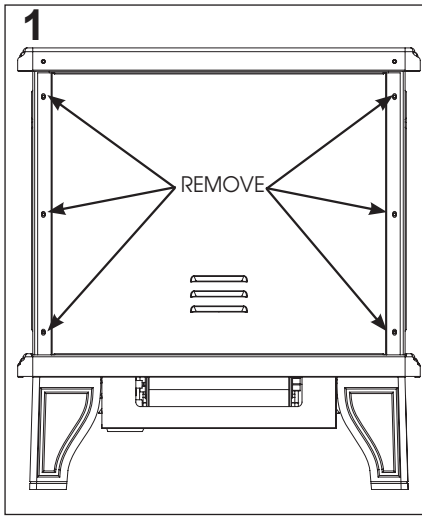


Phillips Head Screwdriver



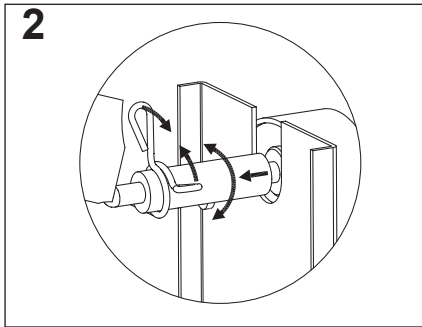
Clear, 40 Watt, E12 socket base light bulb (candelabra base, B bulb).



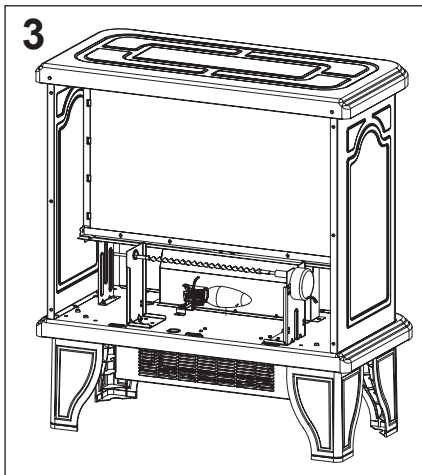


Unplug the stove. Remove the screws holding the stove back panel in place. Remove the back panel to access the light bulb.

Pinch the spring clip to loosen the spindle, and gently turn and pull the rubber gromet out of the spinner motor shaft. Remove the spindle and set aside.



Remove light bulb and replace. Reverse steps 2 and 1. Replace spindle and reinstall stove back panel into position; be careful to not overtighten the screws.



# TROUBLESHOOTING

PROBLEM	ROOT CAUSE	CORRECTIVE ACTION
No power, switches do not light up.	Power cord was not plugged into the outlet.	Check that the unit is plugged into a standard 120V outlet.
Stove does not turn on manually.	No incoming power from the electrical wall socket or switches.	Check circuit breakers and move unit to another outlet.
	Improper operation.	Manually press main power button from front of unit.
	Defective switch	Replace power switch.

Flames are not moving.	Defective flame generator drive motor.	Replace flame generator drive motor.
	Spinner detached from the motor.	Remove the back panel and check to see if "spinner" is correctly mounted to the motor.
Flames are not visible.	Burnt out light bulb.	Replace 40 Watt candelabra bulb.
Flames are not bright.	Normal operation.	Turn brightness dimmer knob until desired brightness is achieved.
	Defective dimmer switch.	Replace dimmer switch.
Heater is not turning off.	Defective Thermostat.	Replace Thermostat.
Heater is not turning on.	Improper operation.	Manually press main power button on front of unit.
	Defective switch.	Replace heater switch.

	Defective heater blower motor.	Replace heater/blower assembly.
Not producing enough heat.	Power strip/surge protector/ extension cord being used.	Plug unit directly into the wall.
	Location of unit.	Make sure unit is located on an interior wall.
Unit blows cool or cold air.	Defective heater blower motor.	Replace heater/blower assembly.
Noise with heater on.	Dirty heater blower motor.	Gently vacuum heater blower vents.
	Defective heater blower motor.	Replace heater/blower assembly.
Noise with flames on and heater off.	Defective flame generator drive motor.	Replace flame generator drive motor.

---

Power cord gets warm.

Normal operation.

Check your heater cord and plug connections. Faulty wall outlet connections or loose plugs can cause the outlet or plug to overheat. Be sure the plug fits tight in the outlet. Heaters draw more current than small appliances, so overheating of the outlet may occur even if it has not occurred with the use of other appliances. During use check frequently to determine if your plug outlet or faceplate is HOT! If so, discontinue use of the heater and have a qualified electrician check and/or replace the faulty outlet(s).

Is it safe to place unit on carpet?

Product Inquiry.

It is safe to place unit on carpet, but make sure any flammable items are at least 3 feet away from front and sides of the unit.

How many square feet will my unit warm up?

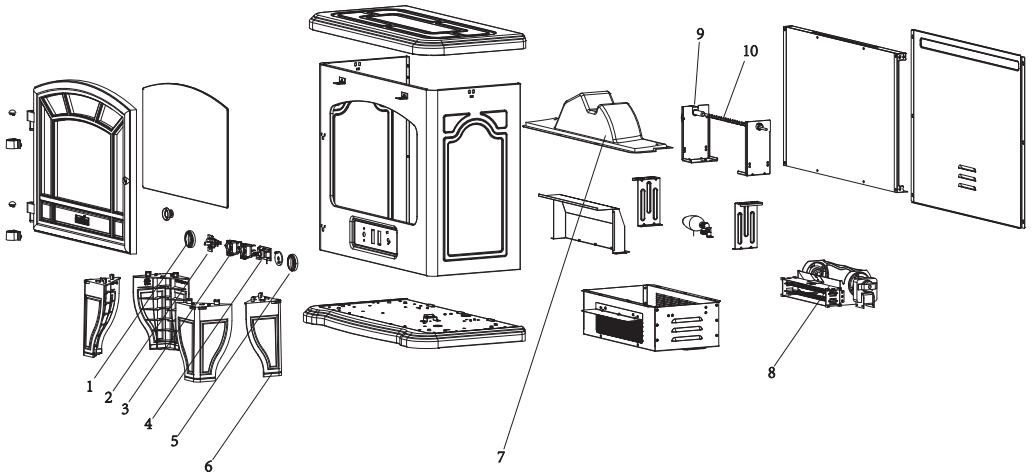
Product Inquiry.

Provides supplemental heat up to 1000 square feet.

# REPLACEMENT PARTS

PART	PART NAME	PART NUMBER
1	Thermostat switch	P03-S
2	Thermostat Knob	P05-S
3	Dimmer Knob	P04-S
4	Heater ON/OFF Switch - Red Toggle	P06-S
5	Dimmer	P07-S
6	Legs	Y16-S76-LG
7	Emberbed	Y16-S76-P02
8	Heater/Blower Assembly	Y16-S76-P01
9	Flame Generator Drive Motor	P10-Q-S
10	Flame Generator/Spinner	Y16-S76-P11

## EXPLODED VIEW



## CARE AND MAINTENANCE

- Clean the trim using a soft cloth, slightly dampened with citrus oil based product and buff with a clean soft cloth.
- Citrus oil based products are recommended for cleaning and can be found at supermarkets or hardware stores.
- **WARNING:** Electrical outlet wiring must comply with local building codes and other applicable regulations to reduce the risk of fire, electrical shock and injury to persons.
- **Warning:** Disconnect power before attempting any maintenance or cleaning to reduce the risk of fire, electrical shock or personal injury.



# 1-YEAR LIMITED WARRANTY

The manufacturer warrants that your new Electric Fireplace is free from manufacturing and material defects for a period of one year from date of purchase, subject to the following conditions and limitations.

1. Install and operate this appliance in accordance with the installation and operating instructions furnished with the product at all times. Any unauthorized repair, alteration, willful abuse, accident, or misuse of the product shall nullify this warranty.
2. This warranty is non-transferable, and is made to the original owner, provided that the purchase was made through an authorized supplier of the product.
3. The warranty is limited to the repair or replacement of part(s) found to be defective in material or workmanship, provided that such part(s) have been subjected to normal conditions of use and service, after said defect is confirmed by the manufacturer's inspection.
4. The manufacturer may, at its discretion, fully discharge all obligations with respect to this warranty by refunding the wholesale price of the defective part(s).
5. Any installation, labor, construction, transportation, or other related costs/expenses arising from defective part(s), repair, replacement, or otherwise of same, will not be covered by this warranty, nor shall the manufacturer assume responsibility for same.
6. The owner/user assumes all other risks, if any, including the risk of any direct, indirect or consequential loss or damage arising out of the use, or inability to use the product, except as provided by law.

7. All other warranties – expressed or implied –with respect to the product, its components and accessories, or any obligations/liabilities on the part of the manufacturer are hereby expressly excluded.
8. The manufacturer neither assumes, nor authorizes any third party to assume on its behalf, any other liabilities with respect to the sale of the product.
9. The warranties as outlined within this document do not apply to non accessories used in conjunction with the installation of this product.
10. This warranty gives you specific legal rights, and you may also have other rights which vary from state to state.

**This warranty is void if:**

- a. The fireplace is subjected to prolonged periods of dampness or condensation.
- b. Any unauthorized alteration, willful abuse, accident, or misuse of the product.
- c. You do not have the original receipt of purchase.