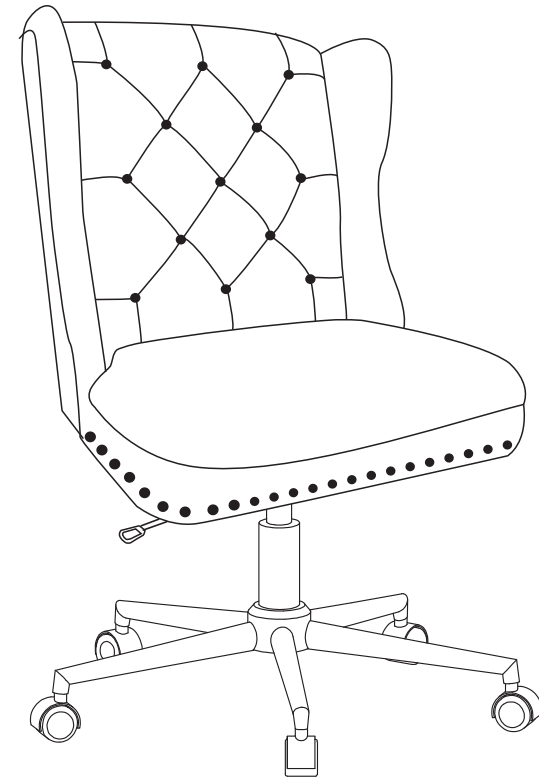


## WARRANTY

1. We strive to offer high-quality products, and we also try our best to satisfy each and every customer that orders from us with product or service as needed.
2. We provide 30 days warranty starting from the time you receive the item. Each customer must provide a record of their order such as the order number, or item receipt for any items that are out of the warranty period you may also still receive.
3. Replacement parts by purchasing them with our company if they are available.

## Owner Manual



---

### NOTE:

This brochure contains IMPORTANT safety info. Please read and keep for future reference.


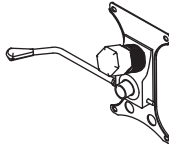




---

## MAINTENANCE AND WARNING

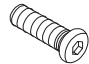
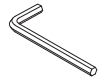
1. Keep furniture away from heat sources.
2. Do not clean furniture with harsh cleaner or polishes. Do not use detergents, solvents, abrasives, spray packs or leather cleaner. Use non-color mild soap with warm water to clean spills (Mix 1:10 soap to water).
3. Do not place furniture under direct sunlight, material will possibly fade over time.
4. Do not use on site dry cleaning machine. Children should not climb or jump on the furniture.
5. Do not write on furniture that is not protected by a padded barrier.
6. Not for commercial use, only for residential use.




## PARTS LIST

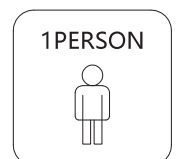
A	x1	B	x1	C	x1	D	x1
							
Seat		Mechanism		Gas lift		Spider base	
E	x5	F	x1				
							
Casters		Gaslift cover					

## HARDWARE LIST

#1	x4	#2	x1
			
Bolt M6x35mm		Allen key M6	

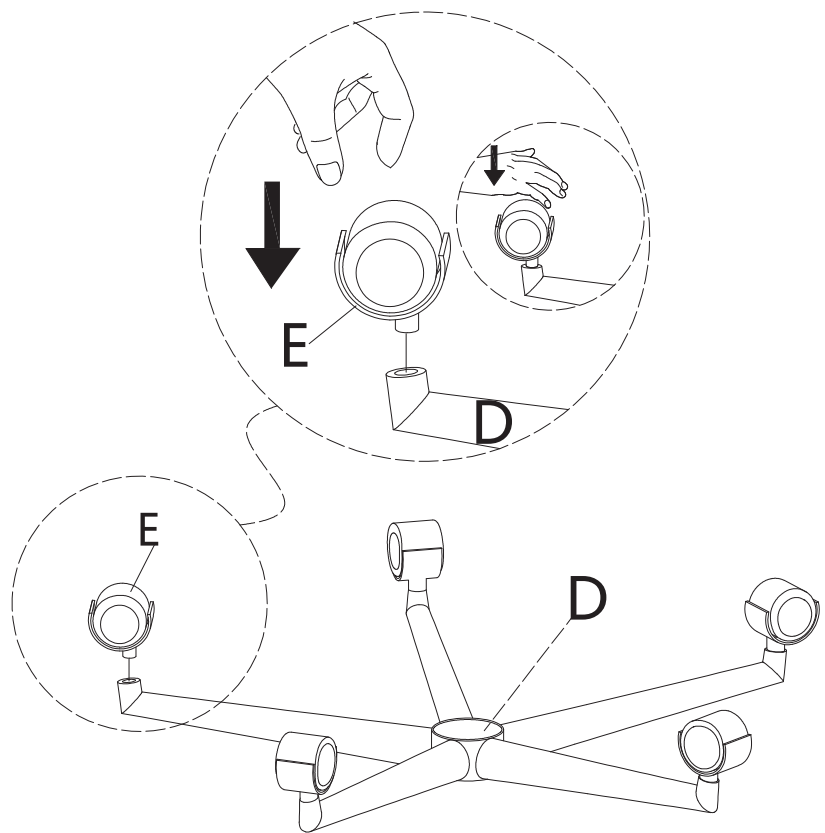
## HARDWARE SPARE LIST

#1	x1
	
Bolt M6x35mm	



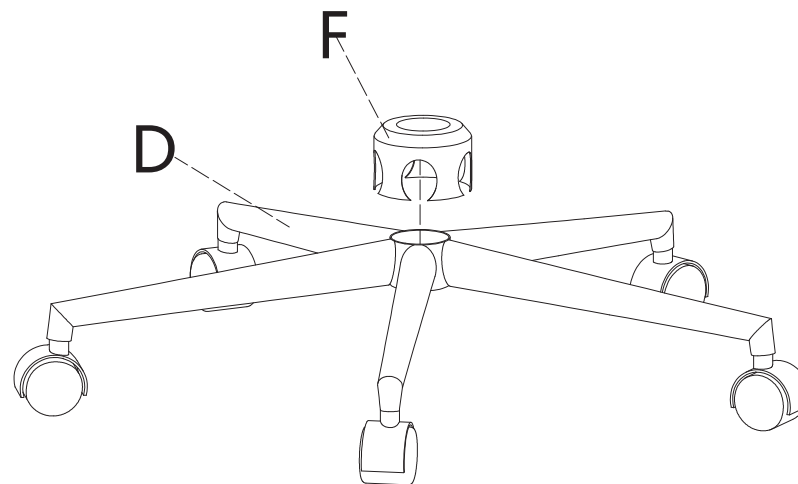
# ASSEMBLY INSTRUCTIONS

## STEP-1



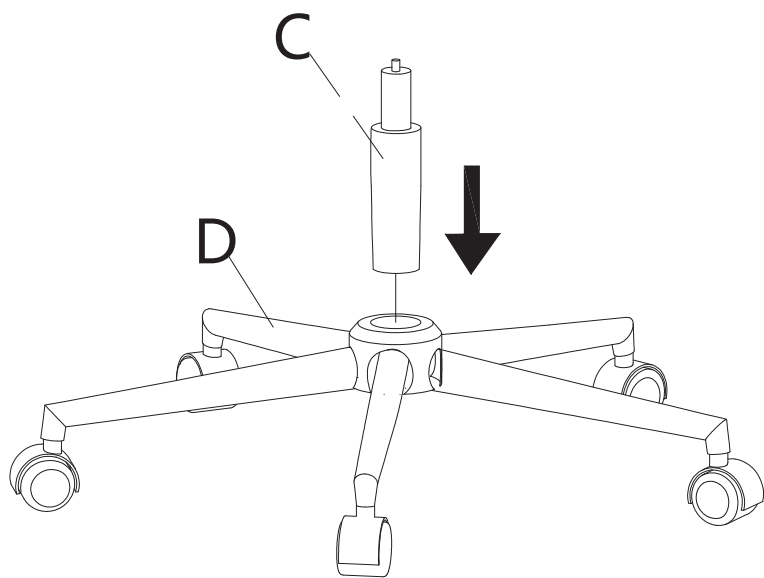
# ASSEMBLY INSTRUCTIONS

## STEP-2



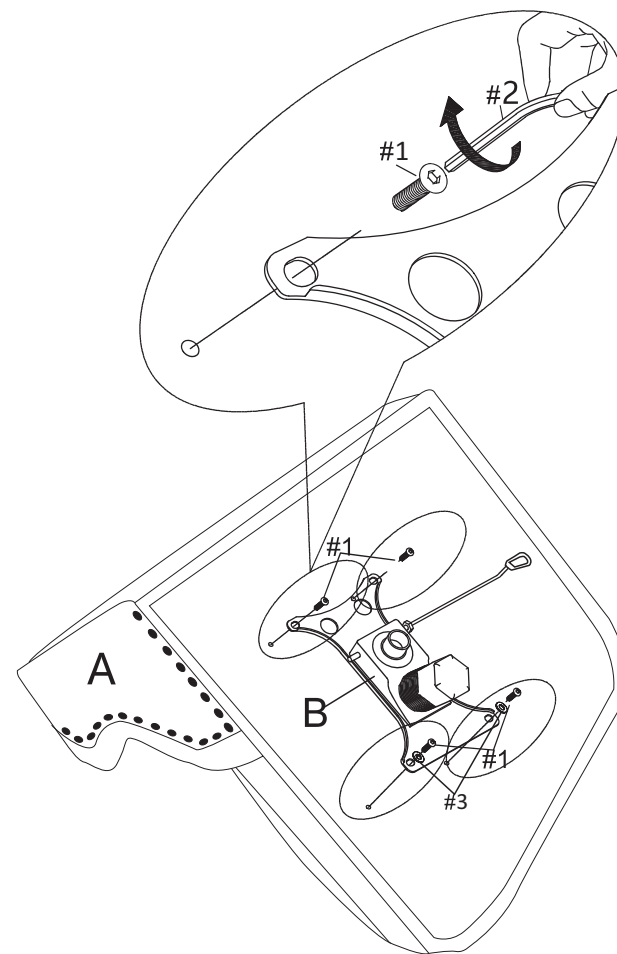
# ASSEMBLY INSTRUCTIONS


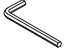
## STEP-3



# ASSEMBLY INSTRUCTIONS

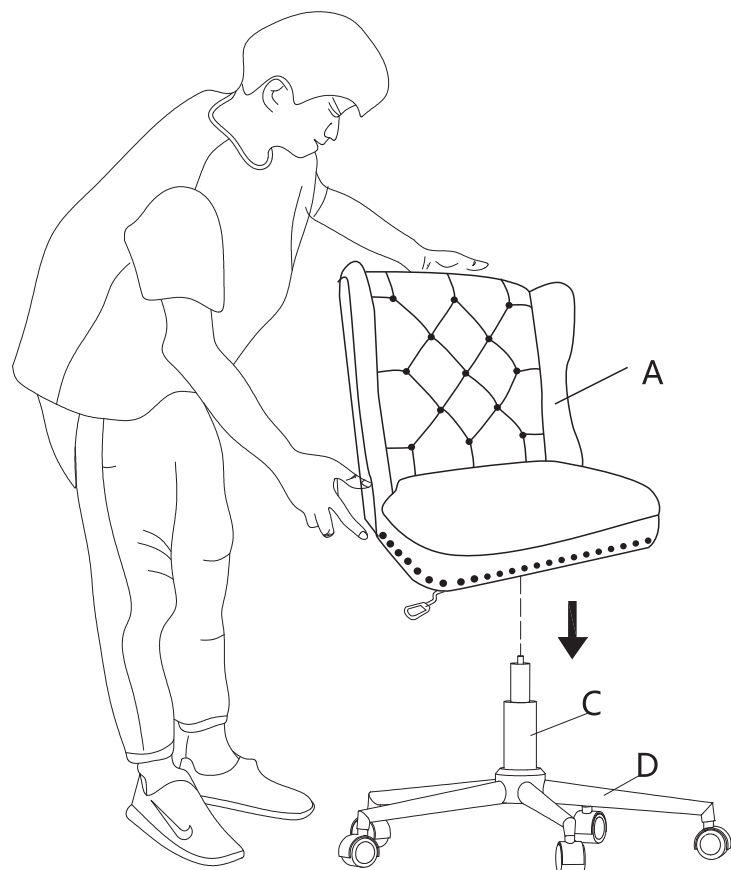
## STEP-4



#1	x4	#2	x1
			
Bolt		Allen Key	
M6x35mm		M6	

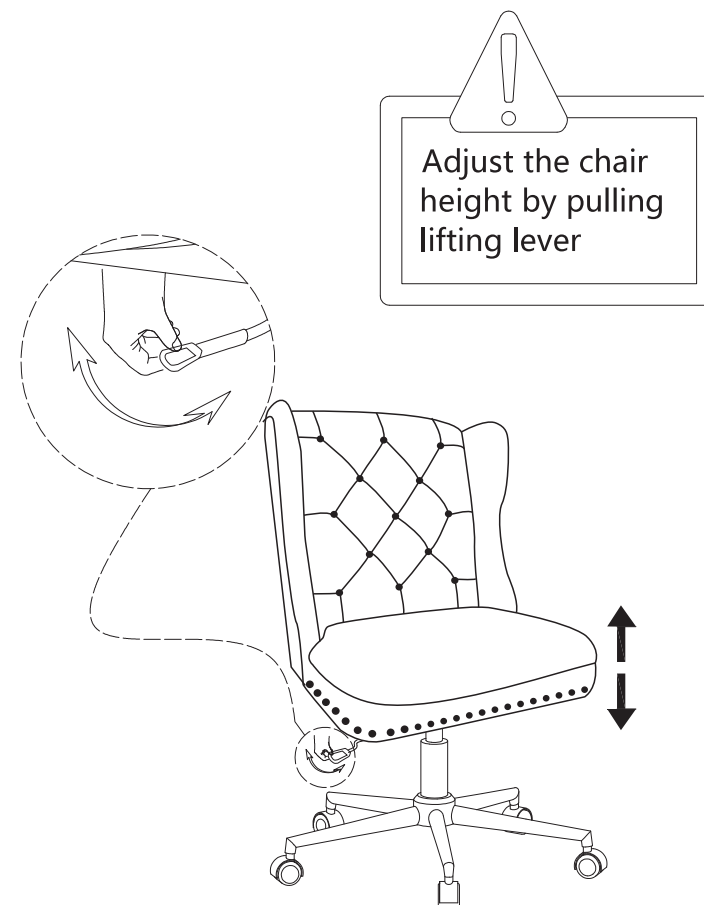
## ASSEMBLY INSTRUCTIONS

### STEP-5



## ASSEMBLY INSTRUCTIONS

### STEP-6



Adjust the chair height by pulling lifting lever

adjust forward and backward tilt angle of chair by rotating rotary knob under chair