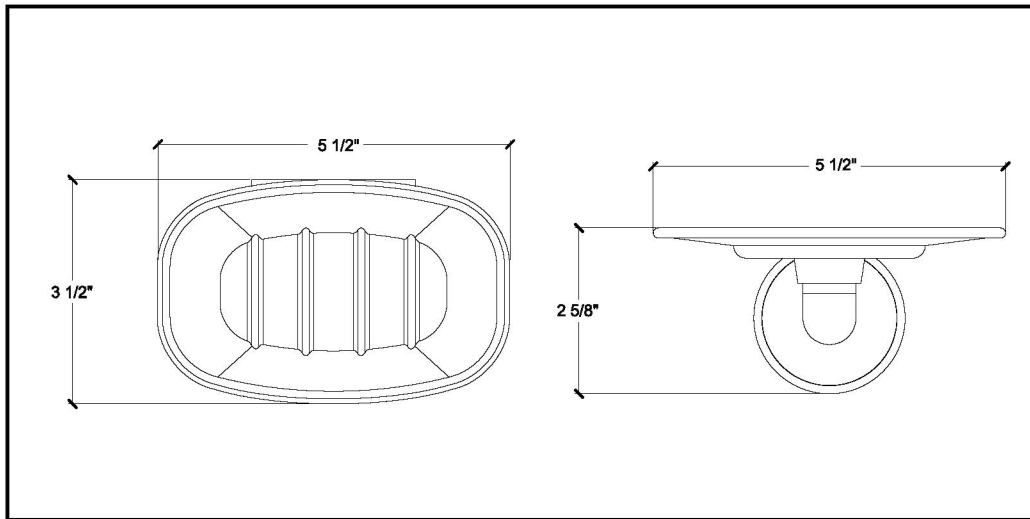
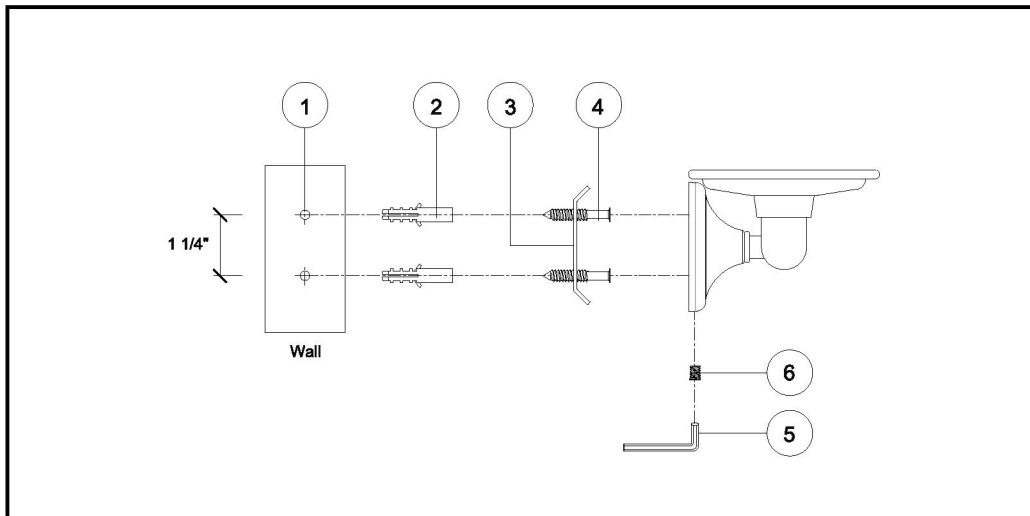


Porcelain Soap Dish - Chrome & White Porcelain

Dimension



Installation



Installation for Drywall and Tile:

1. Hold bracket up to surface and mark both screw positions.
2. Using drill, drill guide holes at each screw location.
3. Insert screw anchors (2) into wall until flush with surface.
4. Attach brackets (3) to wall with lip up away from wall and install screws (4) into bracket.
5. Install base by tilting TOP edge to wall and connect to top lip of bracket, then bring bottom edge of base to wall. Base must be flush to wall.
6. Using included allen key (5), tighten small screw (6) at bottom of base until base is tightly fasten to wall. Note if base does not fit flush to wall, you may have to loosen screw at bottom of base first.

For Installation to Wood Stud or Wood Cabinet, omit steps 2 and 3 above.