

NOTICE

*Please make sure that you have all parts indicated and they are in good condition before you begin assembly of this item. Refer to part list and hardware list below for guidance.

*This item should be assembled on a soft surface to prevent scratching the finish during assembly.

*This item may require periodic tightening.

*If you are having difficulty, our friendly Customer Care team is always here to help.

PREPARATION

*Before beginning assembly of product, make sure all parts are present. Compare parts with part contents list and hardware contents list.

*If any part is missing or damaged, do not attempt to assemble the product.




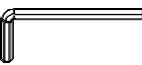
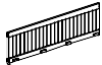

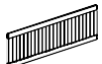


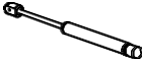

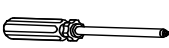
*Tools Required for Assembly (included): Allen Key and Wrench Key

*Estimated Assembly Time: 10 minutes.

CARE AND MAINTENANCE

Store outdoor furniture indoors or cover well when not in use. Dust regularly with small brush or vacuum. Spills should be taken care of immediately before they harden or stain with a slightly damp sponge.

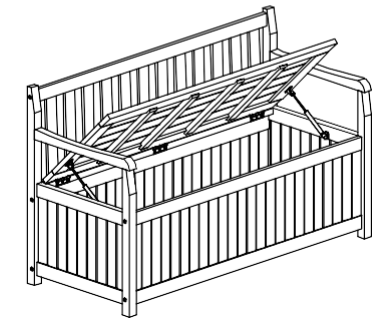
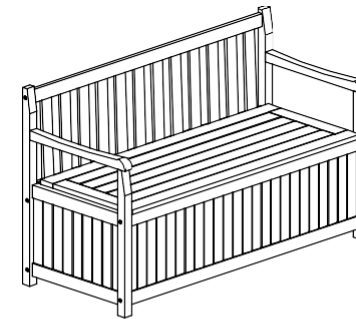
Part List and Hardware List

PIECE	DESCRIPTION	PICTURE	QUANTITY			PICTURE	QUANTITY
A	Left Leg Panel		1x	G	Seat Panel/Barrel Lid		1x
B	Right Leg Panel		1x	HW1	Allen Key		1x
C	Back trunk wall		1x	HW2	Allen Screw M6x80mm		10x
D	Front trunk wall		1x	HW3	Screw M4x15mm		9x
E	Backrest Panel		1x	HW4	Piston		2x
F	Bottom Panel of the Barrel		1x	HW5	Screwdriver (tools at home)		Not supplied

Owner Manual

PRODUCT DIMENSIONS:

KELTER BENCH BOX: 54.33"W x 22.83"D x 33.07"H



Weight capacity : 275 Lbs (single seat)
 Warning : Do not stand on chair
 Warning : Do not over torque bolts/screws

PREPARATION

*Before beginning assembly of product, make sure all parts are present. Compare parts with part contents list and hardware contents list.

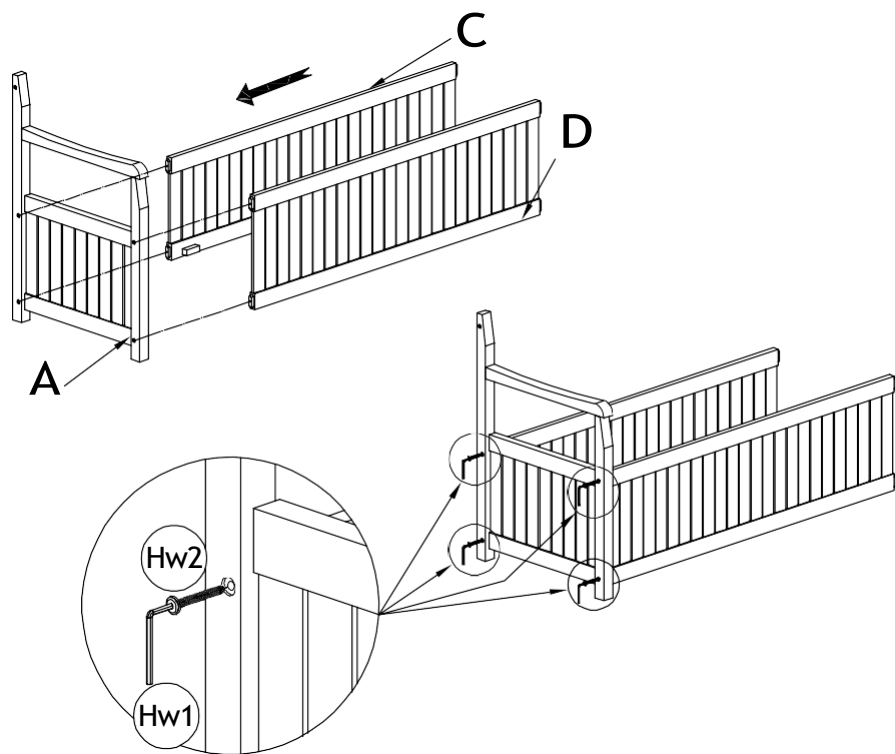
*If any part is missing or damaged, do not attempt to assemble the product.

*Estimated Assembly Time: 10 minutes.

*Tools Required for Assembly (included): Allen Key

*If you are having difficulty, our friendly Customer care team is always here to help.

1

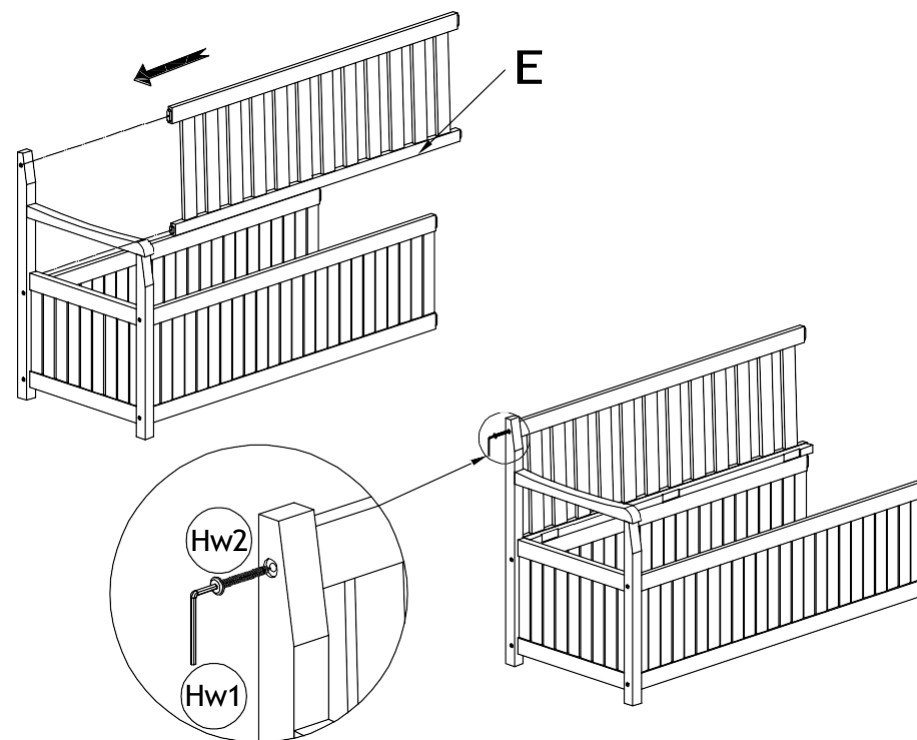


STEP 1: With assistance from your adult partners during the assembly process. Place Back trunk wall (C) and Front trunk wall (D) to the side as shown in the picture.

Assemble Left Leg Panel (A) with Back trunk wall (C) and Front trunk wall (D) by 4 Allen Screws (HW2) and use Allen Key (HW1) to fit.

When tightening the Bolts and Screws, tighten sequentially.

2



STEP 2: With assistance from your adult partners during the assembly process. Assemble Backrest Panel (E) with the whole frame of Step 1 by Allen Bolt (HW2), using Allen Key (HW1) to fit.

When tightening the Bolts and Screws, tighten sequentially.

PREPARATION

*Before beginning assembly of product, make sure all parts are present. Compare parts with part contents list and hardware contents list.

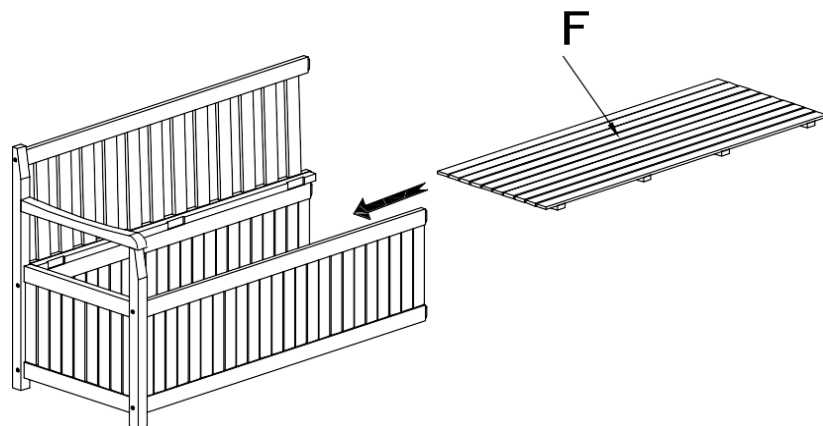
*If any part is missing or damaged, do not attempt to assemble the product.

*Estimated Assembly Time: 10 minutes.

*Tools Required for Assembly (included): Allen Key

*If you are having difficulty, our friendly Customer care team is always here to help.

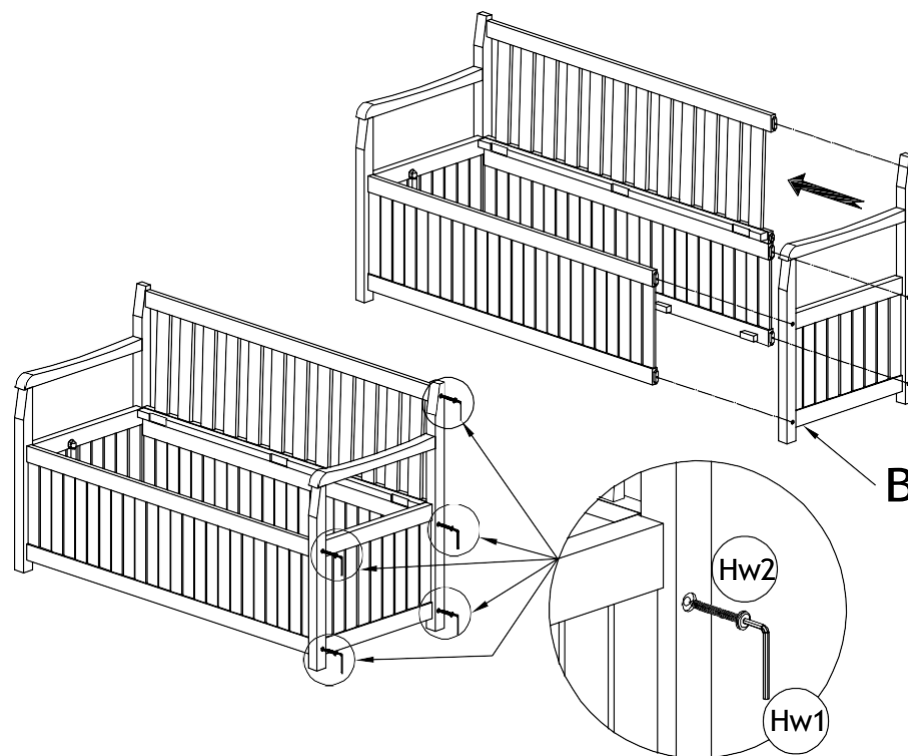
3



STEP 3: With assistance from your adult partners during the assembly process. Please observe and carefully place the Bottom Panel (F) to the bottom side of the barrel Bench in the direction from the right-hand side as the direction of the arrow and picture shown above.

Note that in this step, do not use any bolts/screws to fix it.

4



STEP 4: Assemble Right Leg Panel (B) with the whole frame of Step 2 by 5 Allen Bolts (Hw2), using Allen Key (Hw1) to fit.

When tightening the Bolts and Screws, tighten sequentially.

PREPARATION

*Before beginning assembly of product, make sure all parts are present. Compare parts with part contents list and hardware contents list.

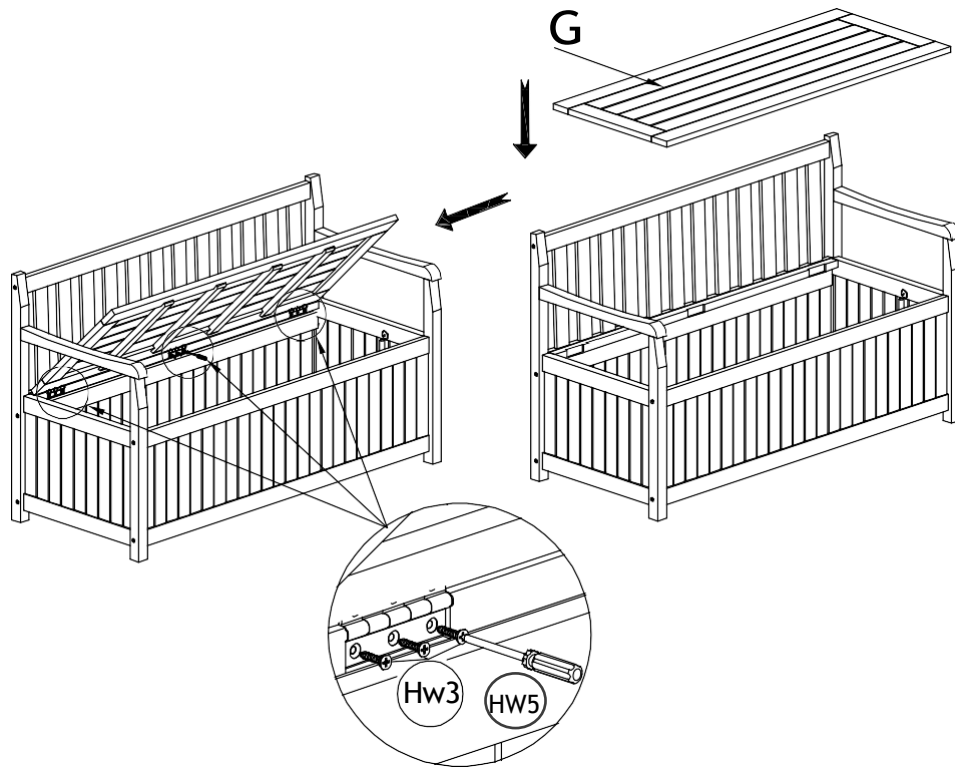
*If any part is missing or damaged, do not attempt to assemble the product.

*Estimated Assembly Time: 10 minutes.

*Tools Required for Assembly (included): Allen Key

*If you are having difficulty, our friendly Customer care team is always here to help.

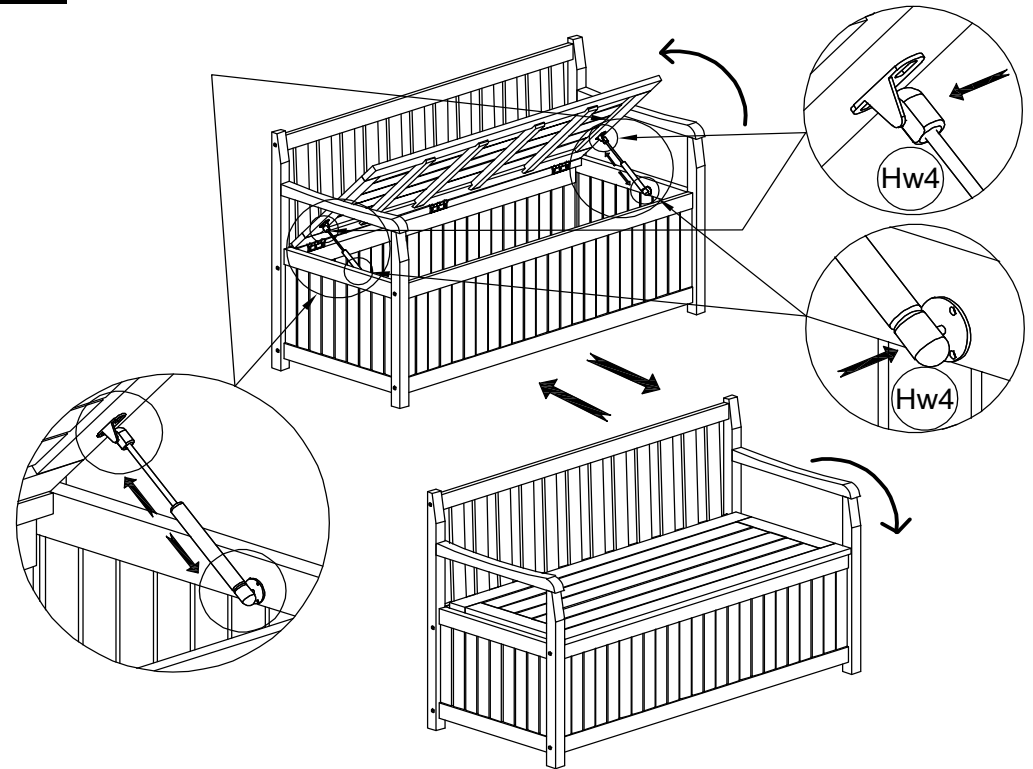
5



STEP 5: With assistance from your adult partners during the assembly process. Connect Seat Panel/Barrel Lid (G) to Backrest Panel (E) using pre-fixed Hinge pairs. Please find and observe the points where the Hinge pairs are available attached on Seat Panel/Barrel Lid (G) and Backrest Panel (E).

Then, carefully assemble Seat Panel/Barrel Lid (G) to Backrest Panel (E) with the Hinge pairs that match each other and use the 9 Screws (HW3) + Screwdriver (tools at home) (HW5) to fit as picture above.

6



STEP 6: Place the Pistons (HW4) in the correct direction as picture above and press firmly at the points.