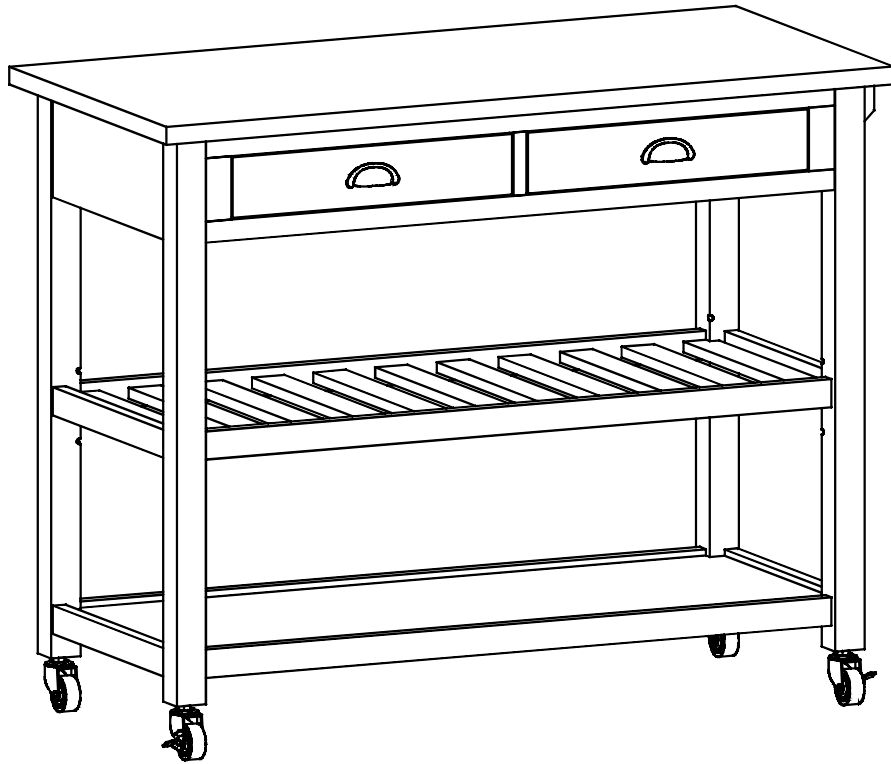


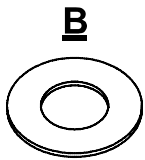
ASSEMBLY INSTRUCTIONS

KITCHEN CART - CHESTNUT WIRE - BRUSH

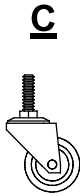




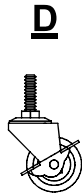
Wood Nut
8 PCS



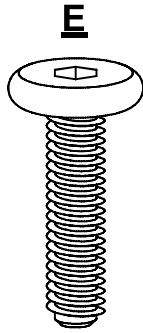
Flat Washer
16 PCS



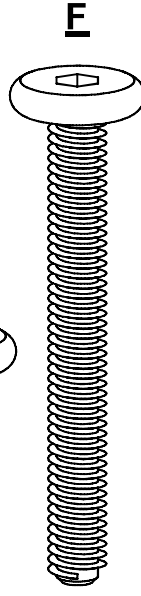
Caster
2 PCS



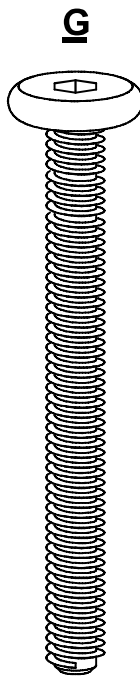
Caster with lock
2 PCS



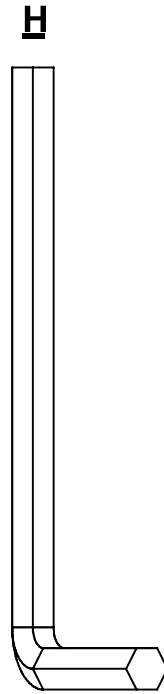
M6*35
4 PCS



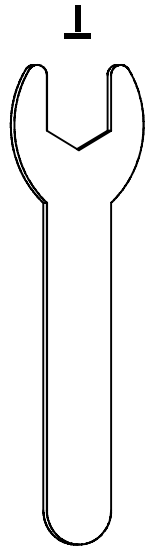
M6*50
8 PCS



M6*70
8 PCS

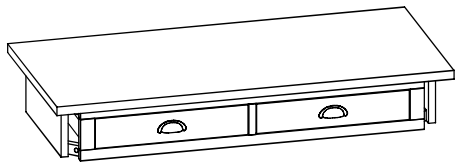


1 PC

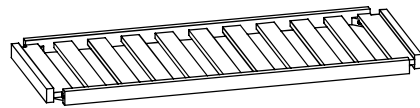


Wrench
1 PC

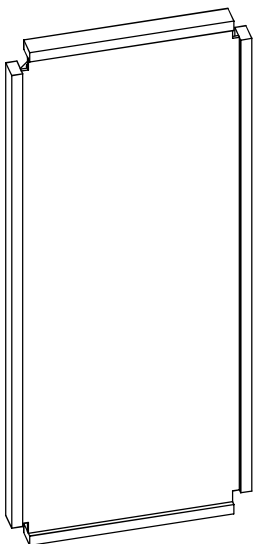
1



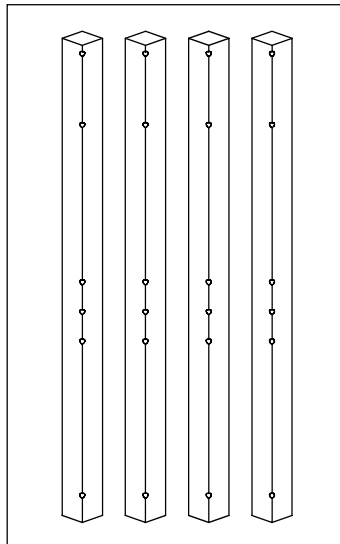
2



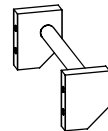
3



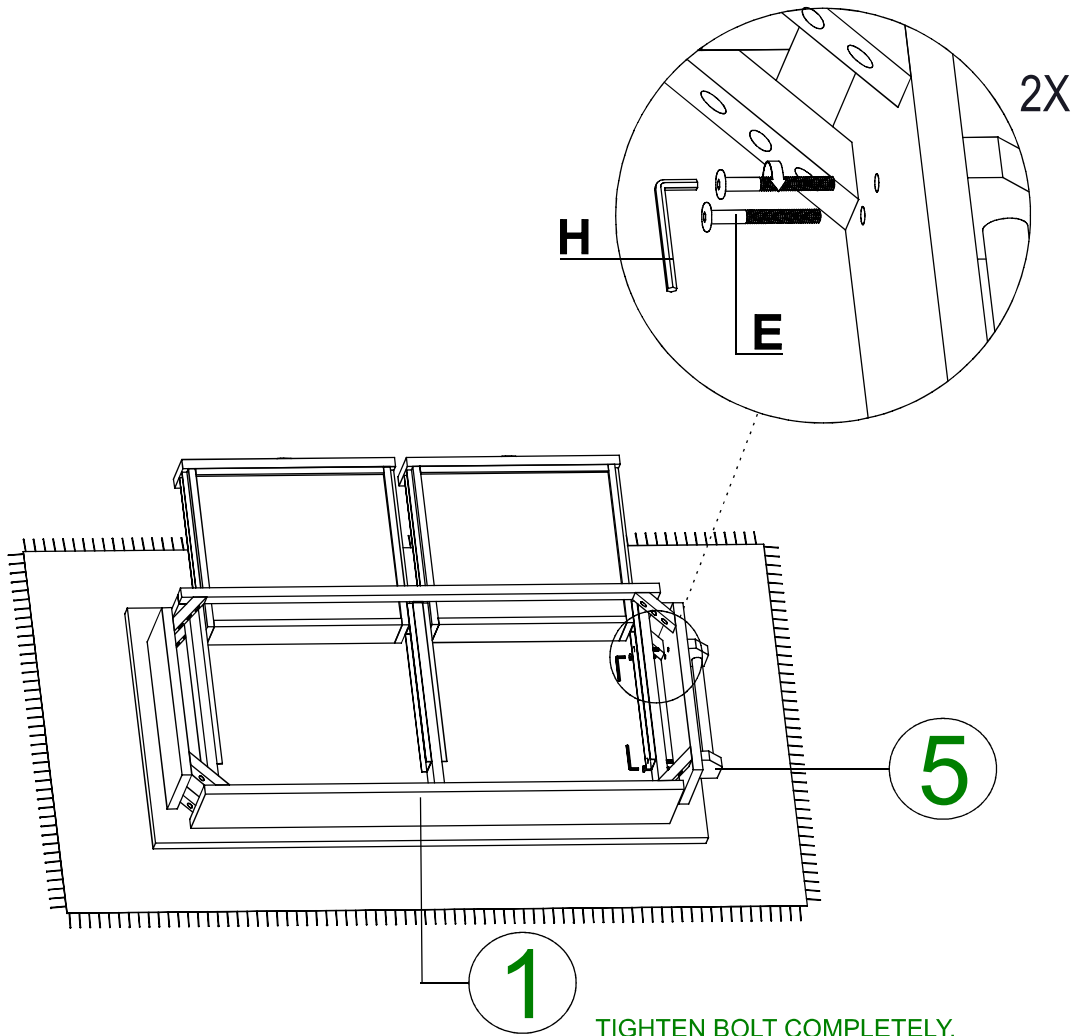
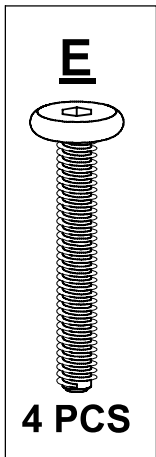
4



5

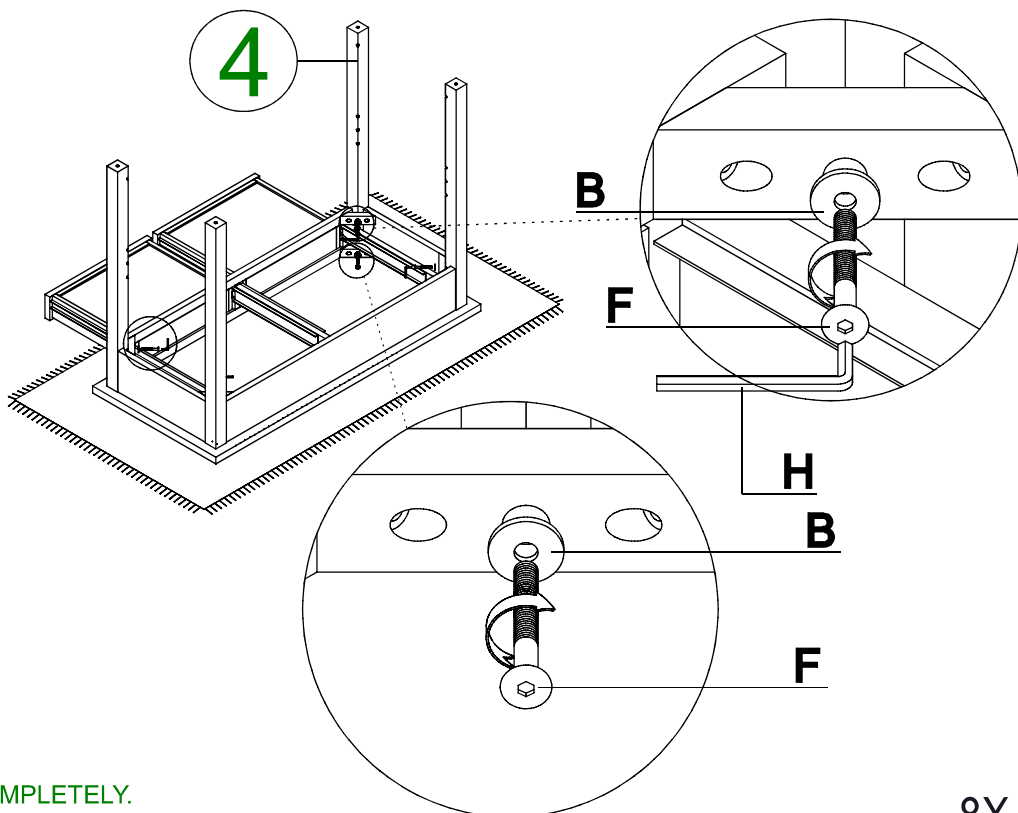
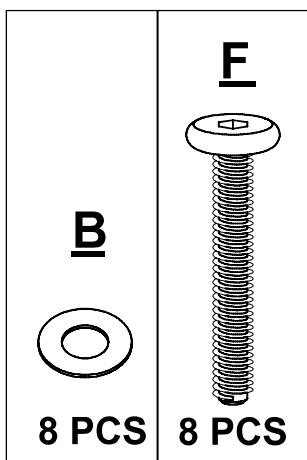


01



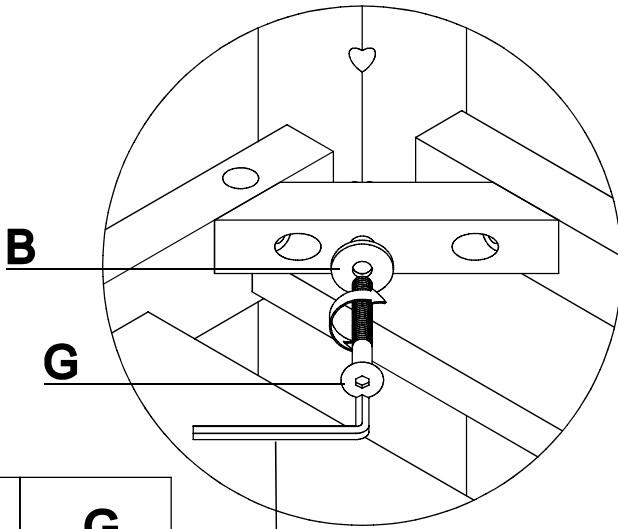
TIGHTEN BOLT COMPLETELY.

02



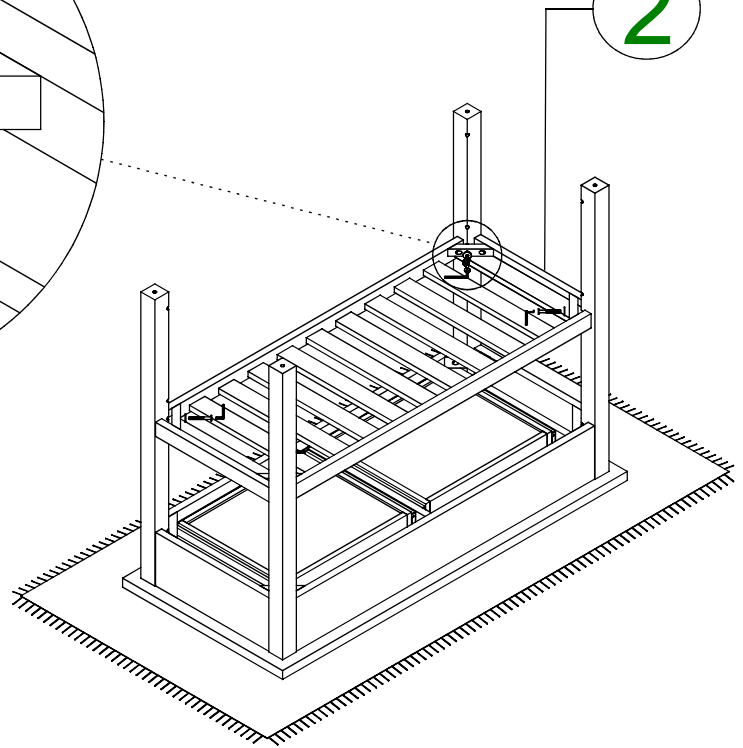
DO NOT TIGHTEN BOLT COMPLETELY.

03

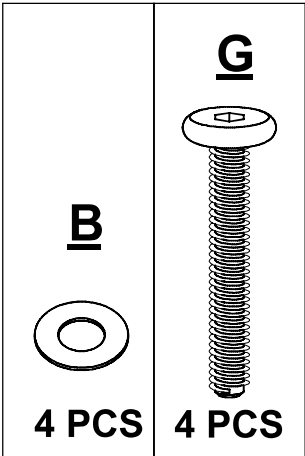


4X

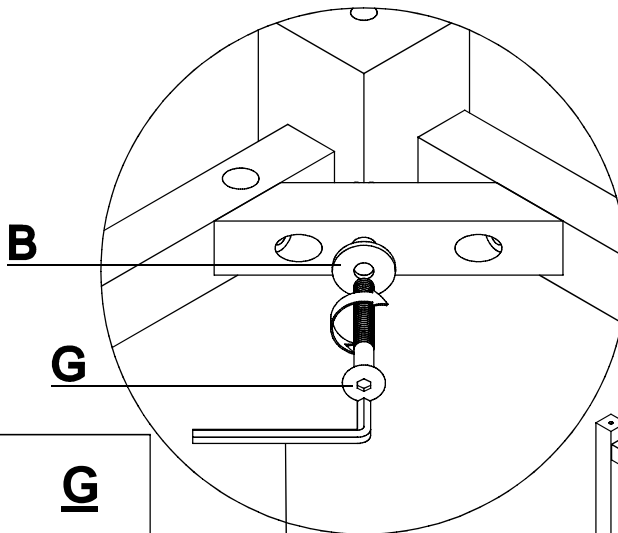
2



TIGHTEN BOLT COMPLETELY.

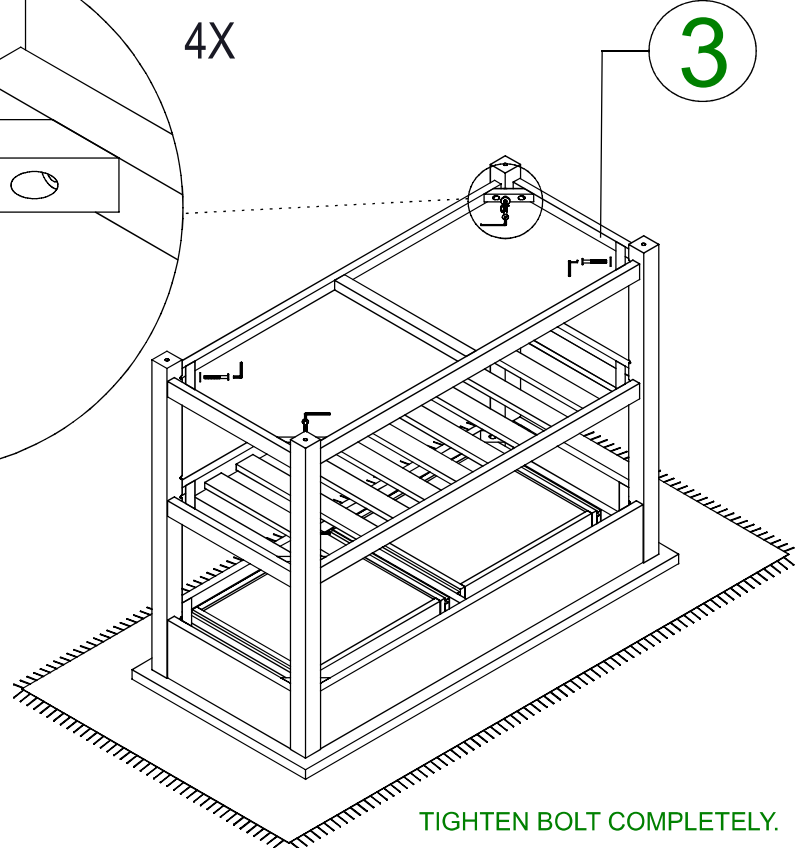


04

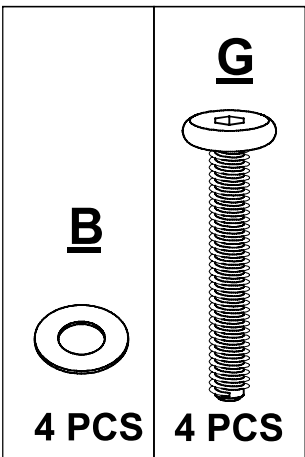


4X

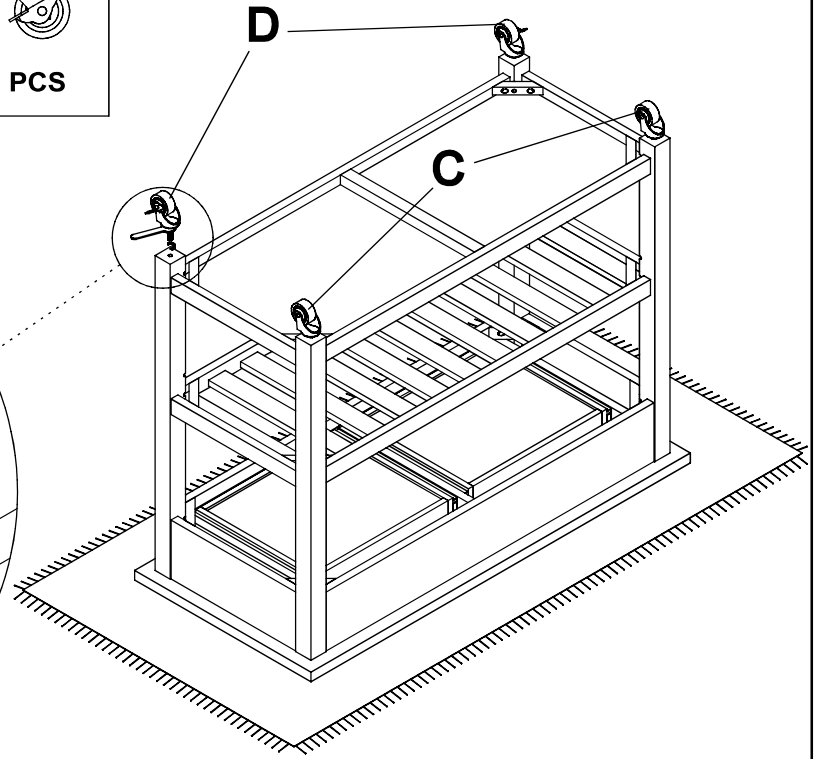
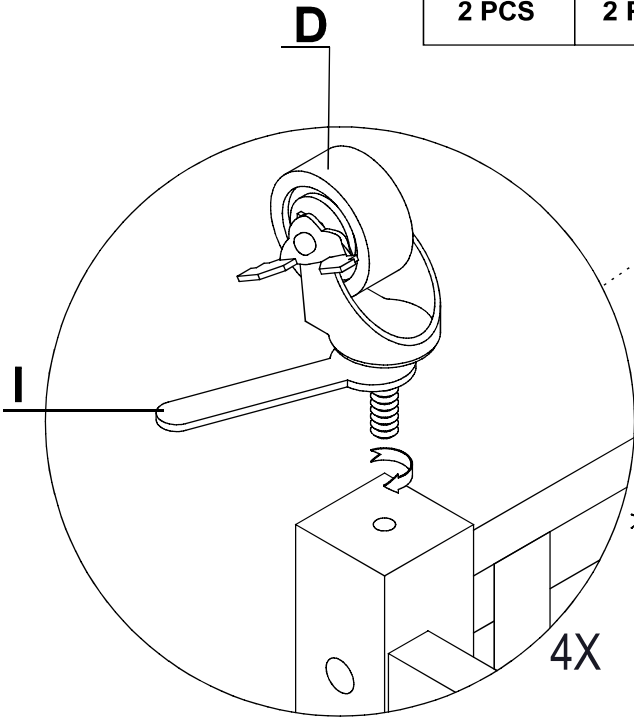
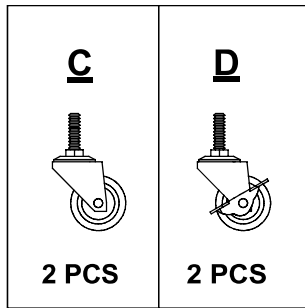
3



TIGHTEN BOLT COMPLETELY.

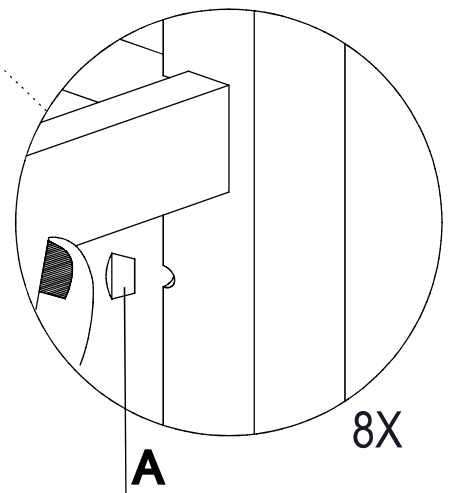
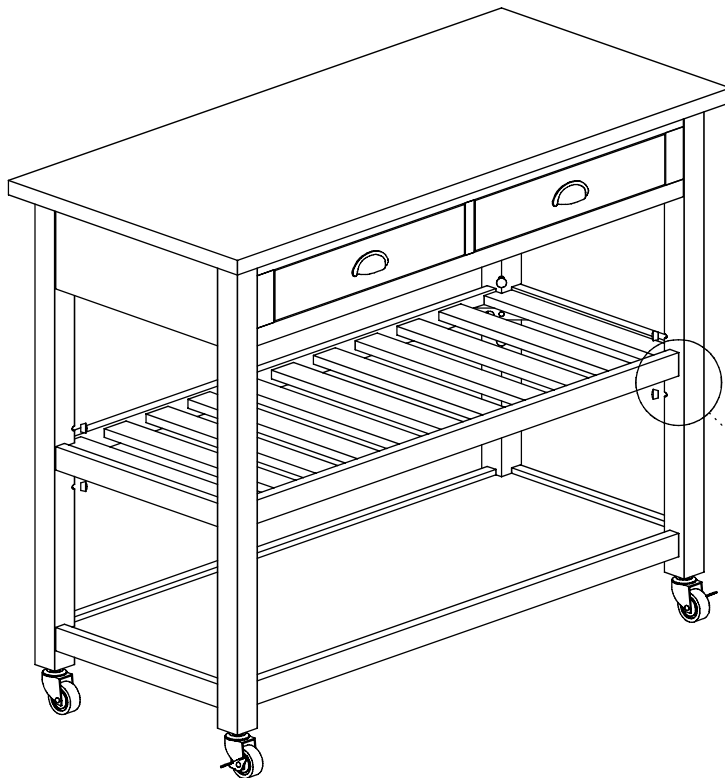
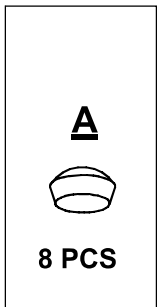


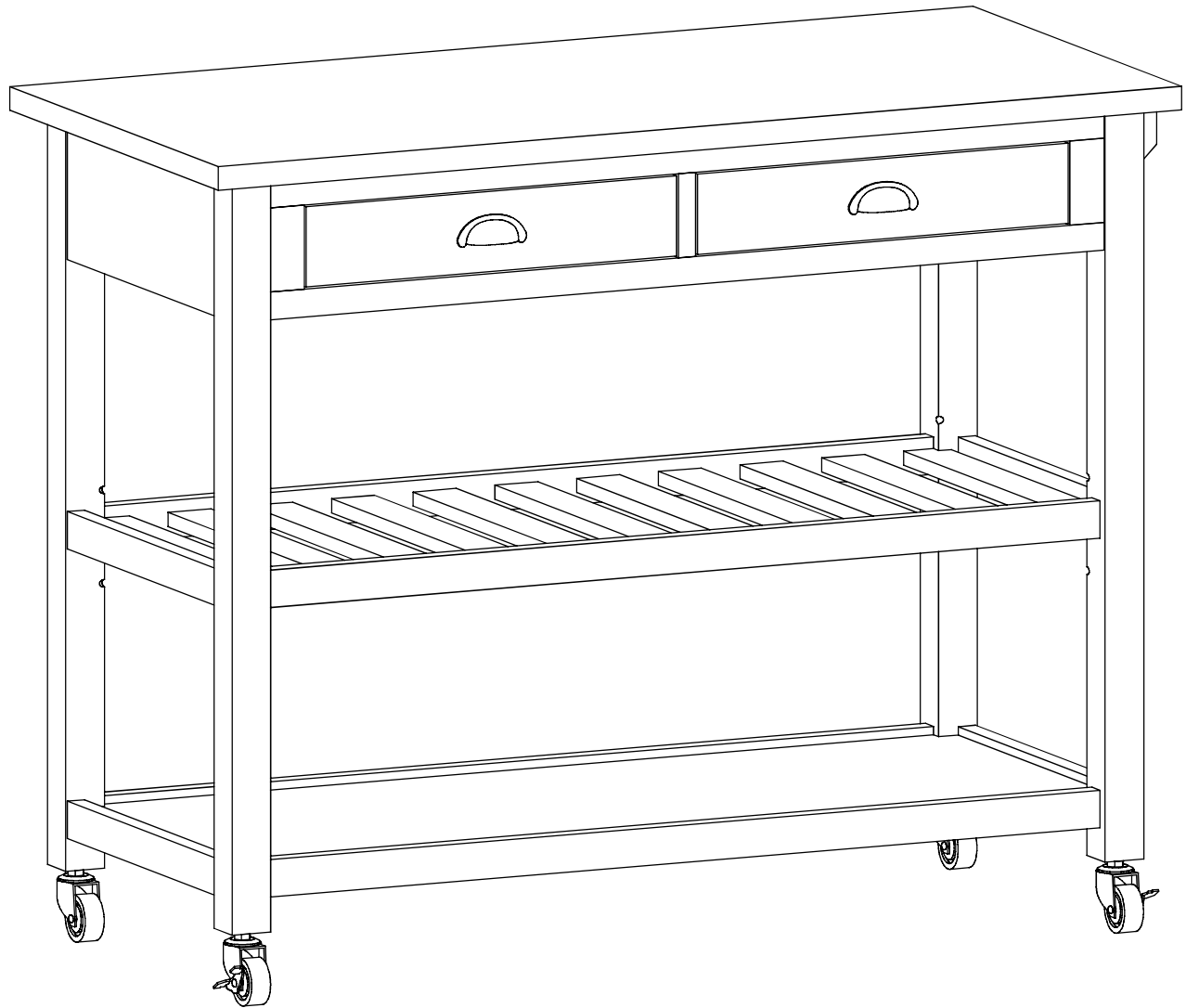
05



TIGHTEN BOLT COMPLETELY.

06





BE SURE TO CHECK ALL BOLTS ARE SECURELY
TIGHTENED PRIOR USING THIS CART.