

INSTRUCTION MANUAL FOR BASKETBALL STAND



WARNING:
IMPROPER INSTALLATION
OR SWINGING ON THE RING
MAY CAUSE SERIOUS
INJURY OR DEATH

Installation Alert:

*To save your time and safety, please read the instructions carefully and check all the accessories in the package before installing, weighing, displaying and disassembling the basketball stand, master the installation steps and details before starting to install this product requires at least 2 adult installation, please prepare 2 movable wrenches.

*If there are any problems on the installation and use, please contact the after-sales staff at any time. We will help you in time to reduce your trouble or damage to the product!



Safety instructions for use



To ensure safety, the user must read the instructions carefully before installation and use, and install, use, store, move and disassemble according to the instructions, so as to check the counterweight of the base before use, screw fastening conditions, to avoid causing any damage to the product and users!

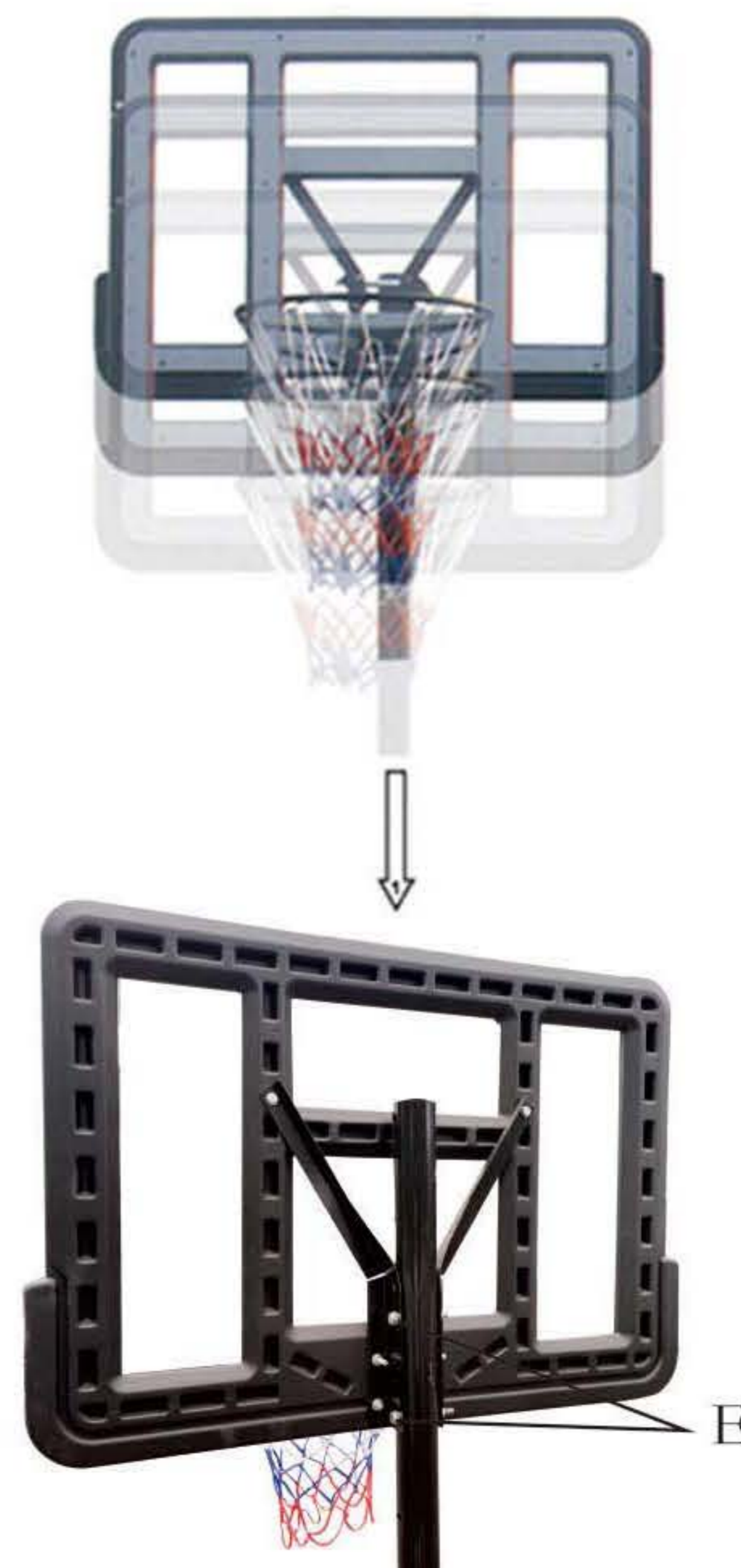
1. Suggest two or more adults to install, and forbid children to install and climb.
2. Check the base for water leakage, screw fastening, small flow of water leakage may lead to product collapse;
3. The product is suitable for recreation and fitness, not for fierce competition. Do not dunk or hang vigorously.
4. After installation, the base must be filled with water or sand immediately to prevent collapse. Before use, the base must be laid flat and flat on the ground to prevent collapse or sharp objects from damaging the base.

Warning

1. Do not climb or hang from hoops, backboards, or nets.
2. Do not use products with potential safety problems.
If any parts need to be repaired or replaced, please contact after-sales staff or local dealers.
3. be very careful when moving on uneven ground, which may cause the product to roll over.
4. To avoid ice damage to the base, water in the base must be poured out or filled with sand when the temperature is below 0 degrees Celsius.
5. If the product is used outdoors for a long time, please make sure the top of the main pole and elevator pole is covered with plastic to prevent rain from affecting the life of the product.
6. please do not wear watches, necklaces, earrings and other jewelry, to prevent hanging hoops or lost in sports.
7. When adjusting height, keep your fingers away from moving parts.
8. Children are not allowed to move products or adjust their height.

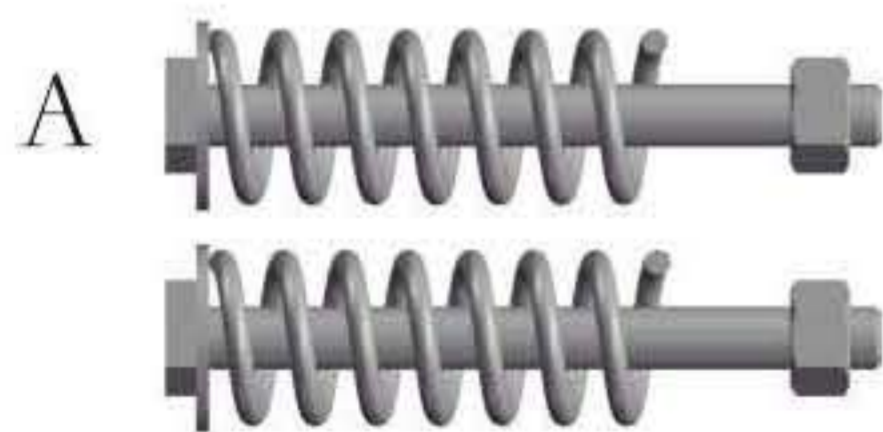
Altitude control

Adjust 2 bolts (E) in the top pole(W) hole position, can complete the basketball frame height

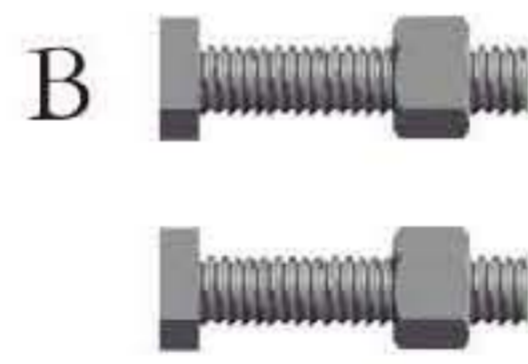


Parts list

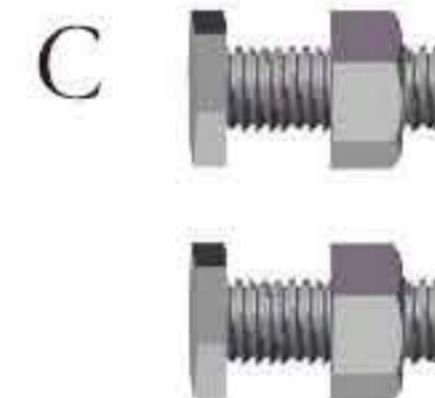
Accessories	Name	Quantity	Notes
A	M8*120MM Spring screws	2	Connect ring, board and Board Bracket
B	M8*50MM Bolt	2	Connect ring, board and Board Bracket
C	M8*20MM Bolt	2	Connect base and Pole Brace
D	M8*16MM Bolt	2	Connect board and Board Bracket
E	M10*90MM Bolt	2	Connect Top Pole and Board Bracket
F	M10*80MM Bolt	4	Connect Top Pole , Middle Pole and Bottom Pole
G	M8*90MM Bolt	1	Connect Bottom Pole and Pole Brace
H	Pole Brace	2	
I	Wheel	2	
J	Wheel Shaft	1	
K	Board Bracket	1	
L	Ring	1	
M	Net	1	
N	Backboard	1	
O	Base	1	
W	Top Pole	1	
X	Middle Pole	1	
Y	Bottom Pole	1	



M8*120MM



M8*50MM



M8*20MM



M8*16MM



M10*90MM



M10*80MM



M8*90MM

L



K



M



N



H



I



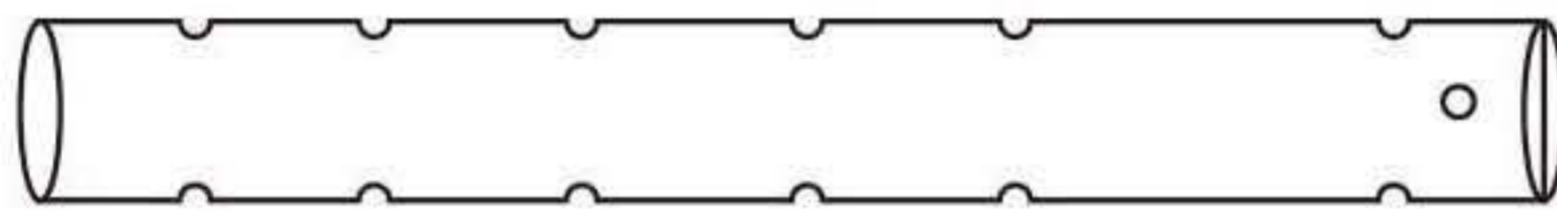
J



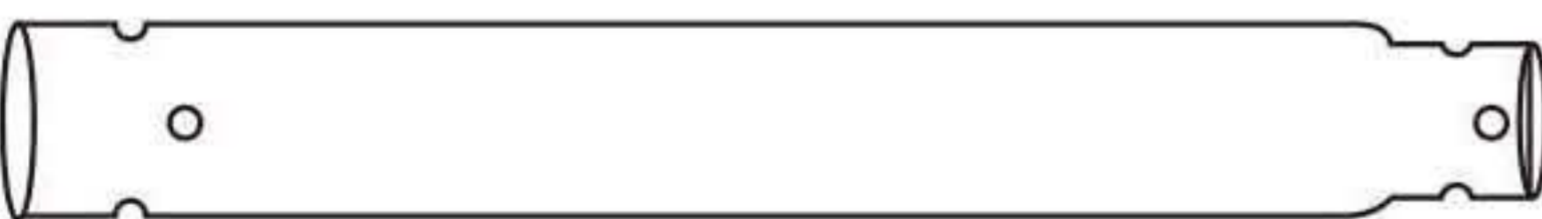
O



W



X

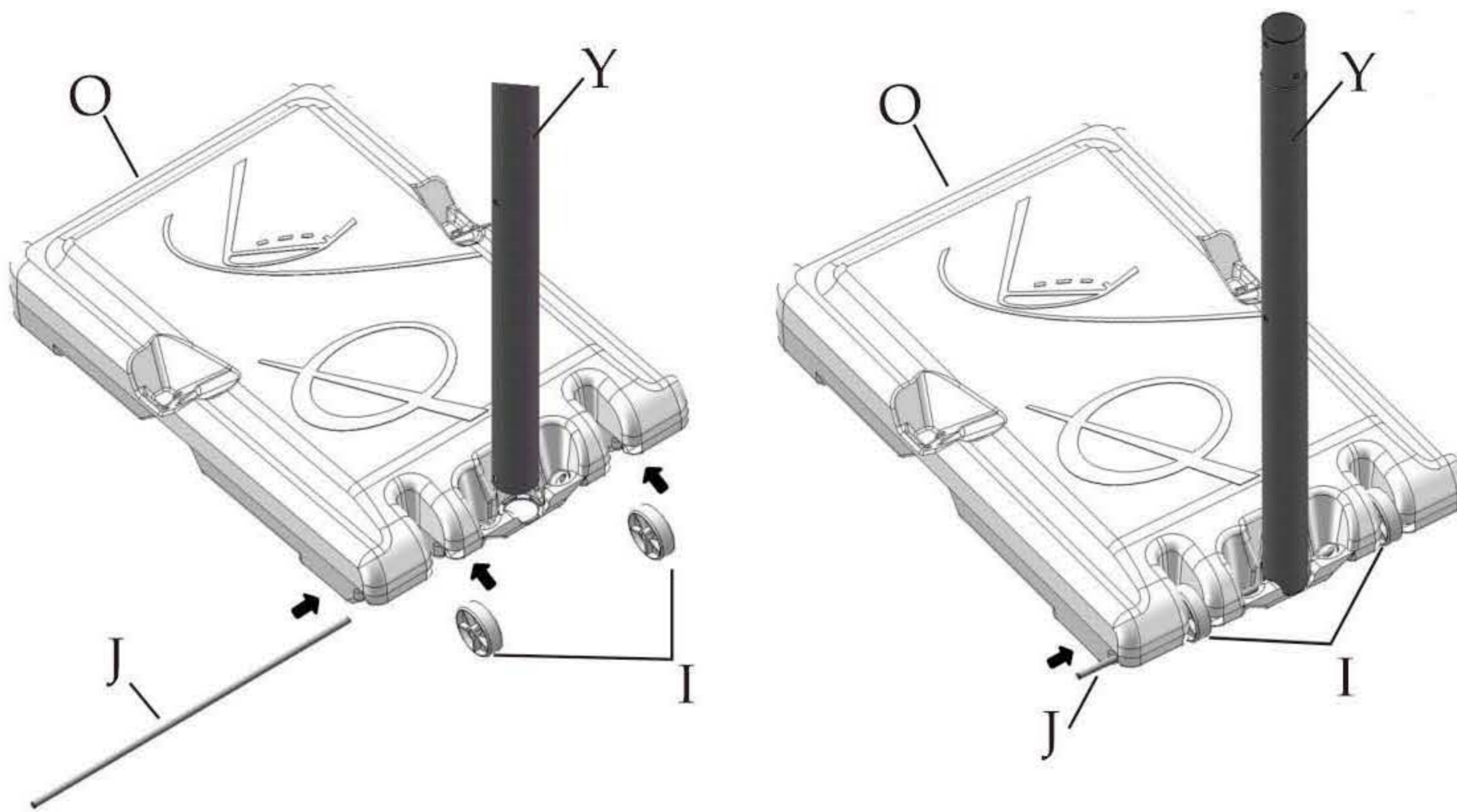


Y



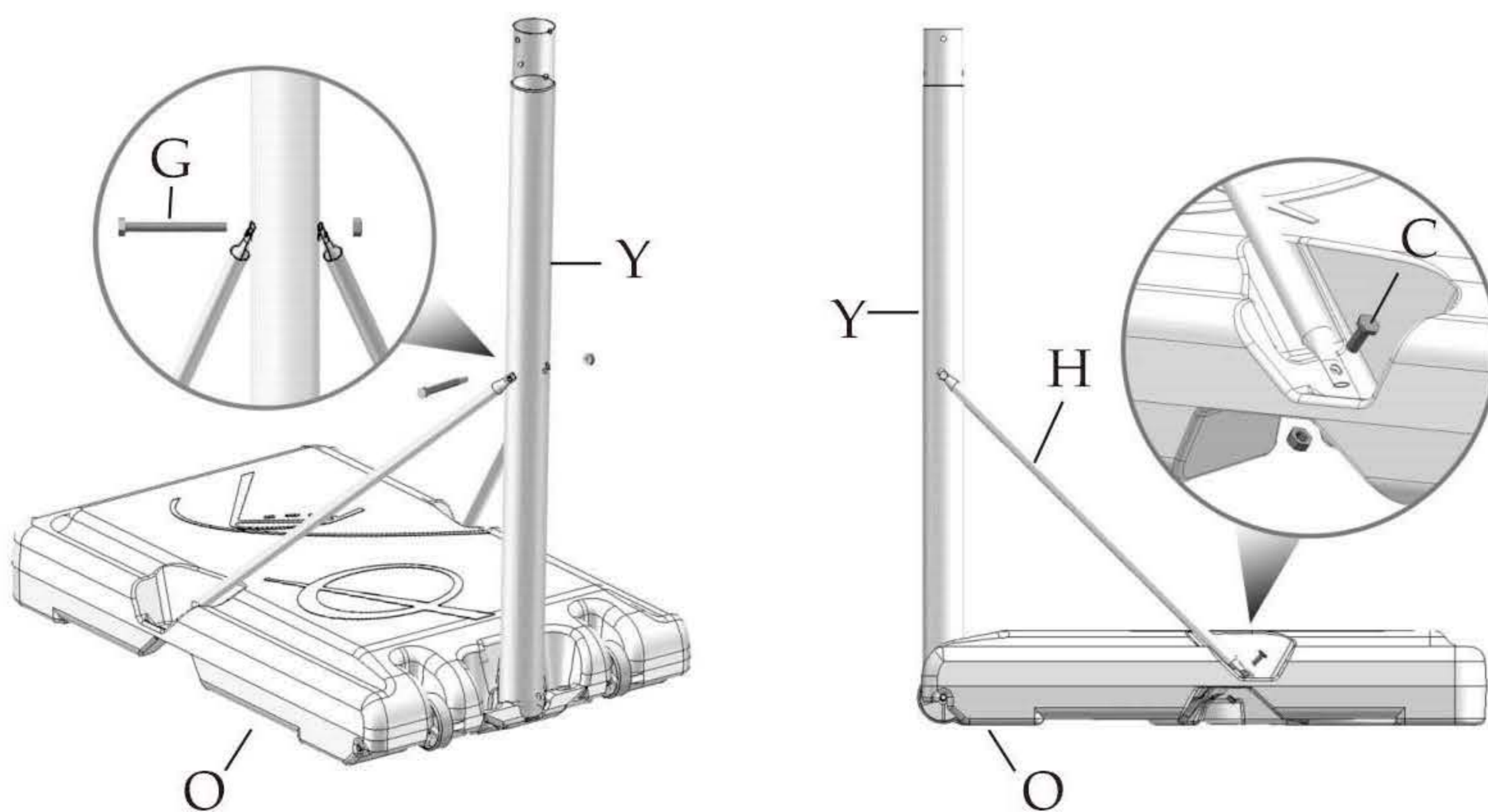
1) Install lower pipe, wheel pin and wheel:

As shown, Place the base(O) on a chosen playing ground, the surface beneath the base should be horizontal. Insert the wheel shaft(J) into wheel(I), base(O) and end of bottom pole (Y) orderly.



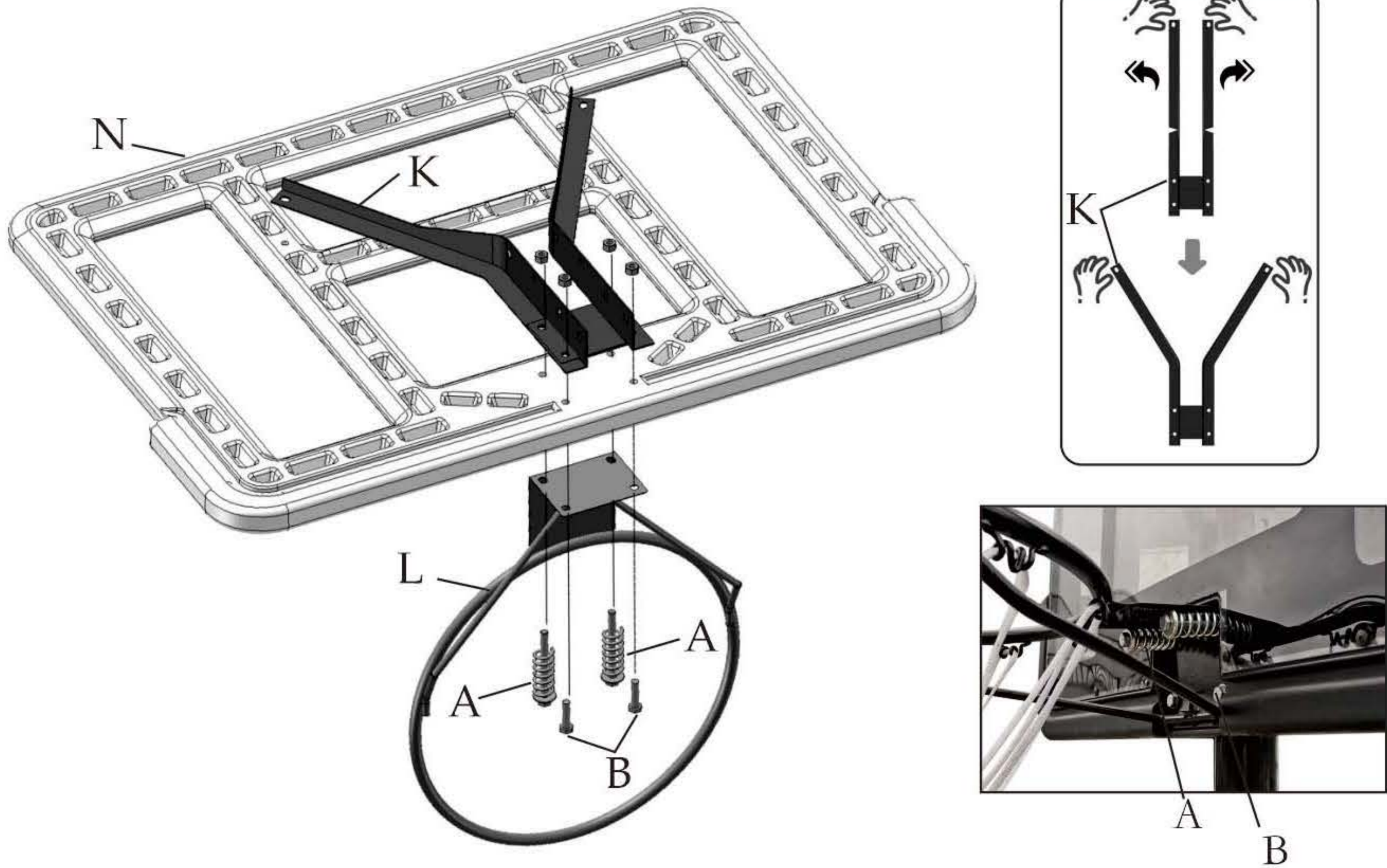
2) Install lower pipe, base and base support:

As shown, Fix one end of the pole braces(H) on bottom pole(Y) by bolt(G) Then fix another end of the pole braces(H) on base(O) by bolt(C).



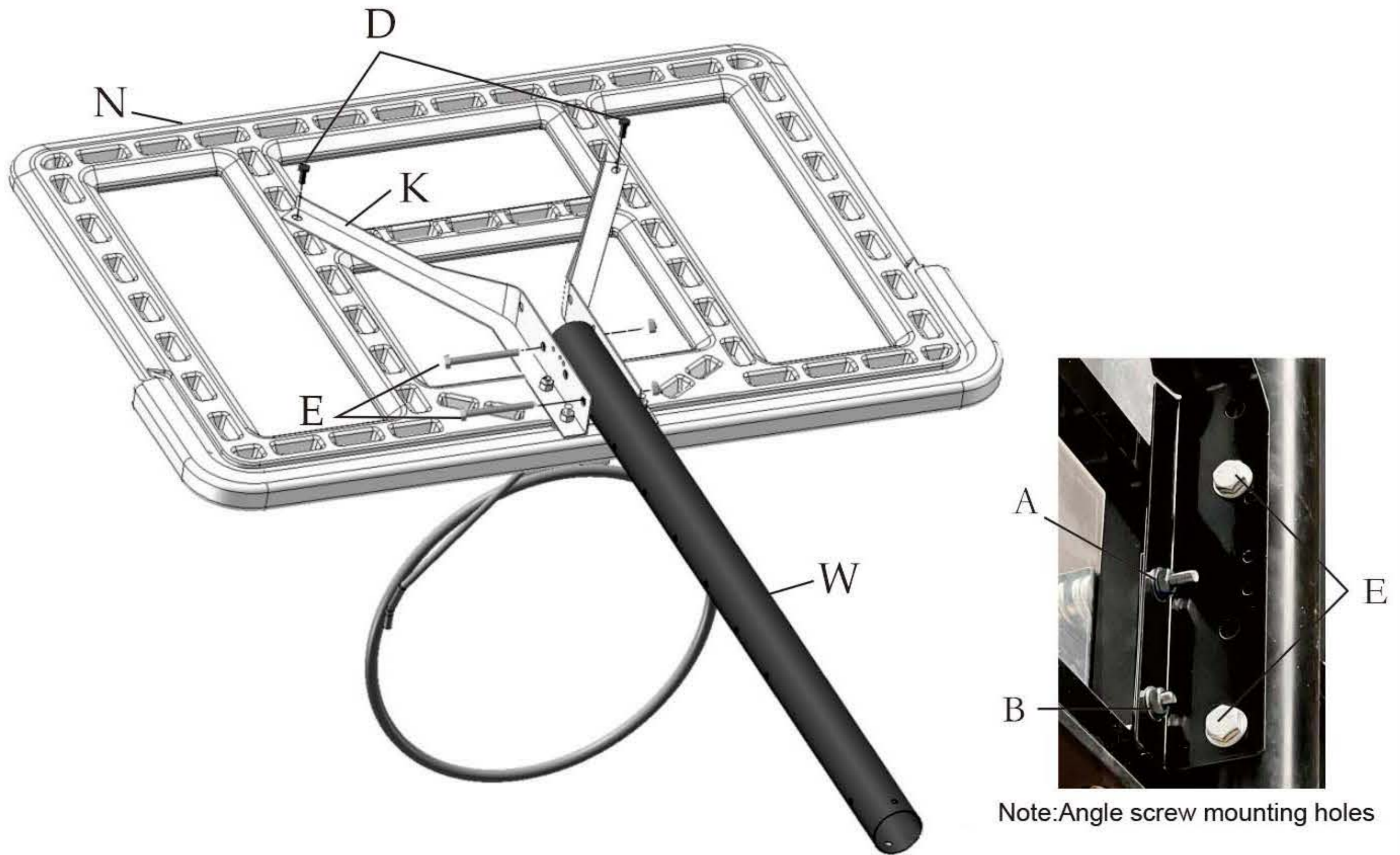
3)Install the backboard:

As shown, please bend the board bracket(K) into a Y shape before installation, Fix ring(L)and board bracket(K)on backboard(N)by spring screws(A)and bolts(B)



4)Install the backboard:

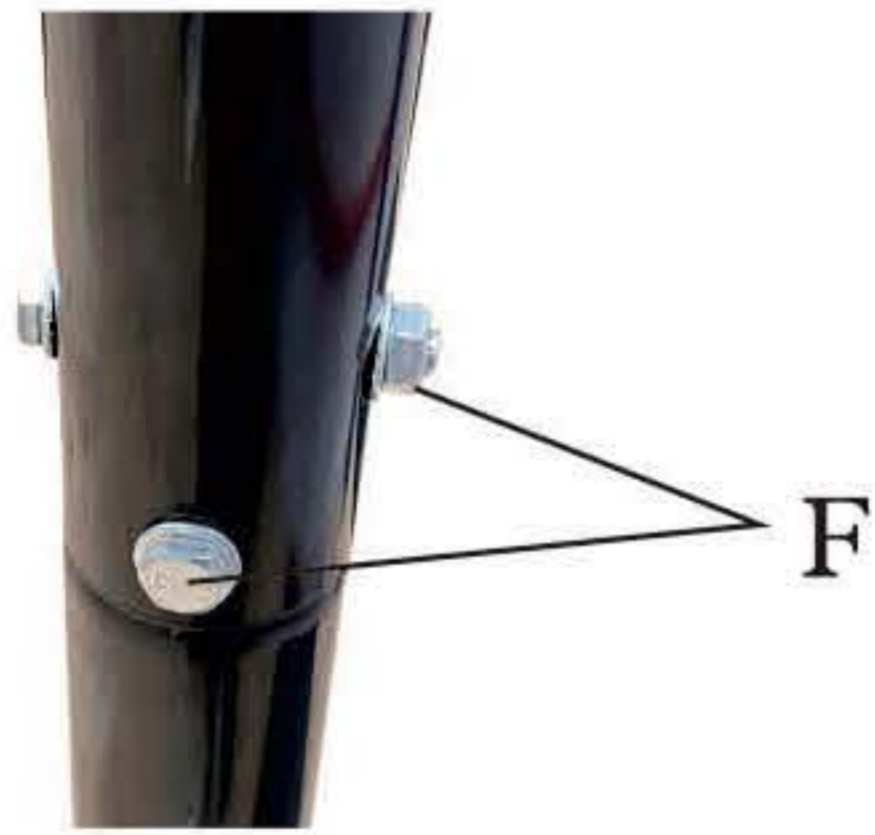
As shown, use bolts(D)to fix the top of board bracket(K)on the back of board(N)tightly , After that,Insert top pole(W)into board bracket(K),fix them by bolts(E).



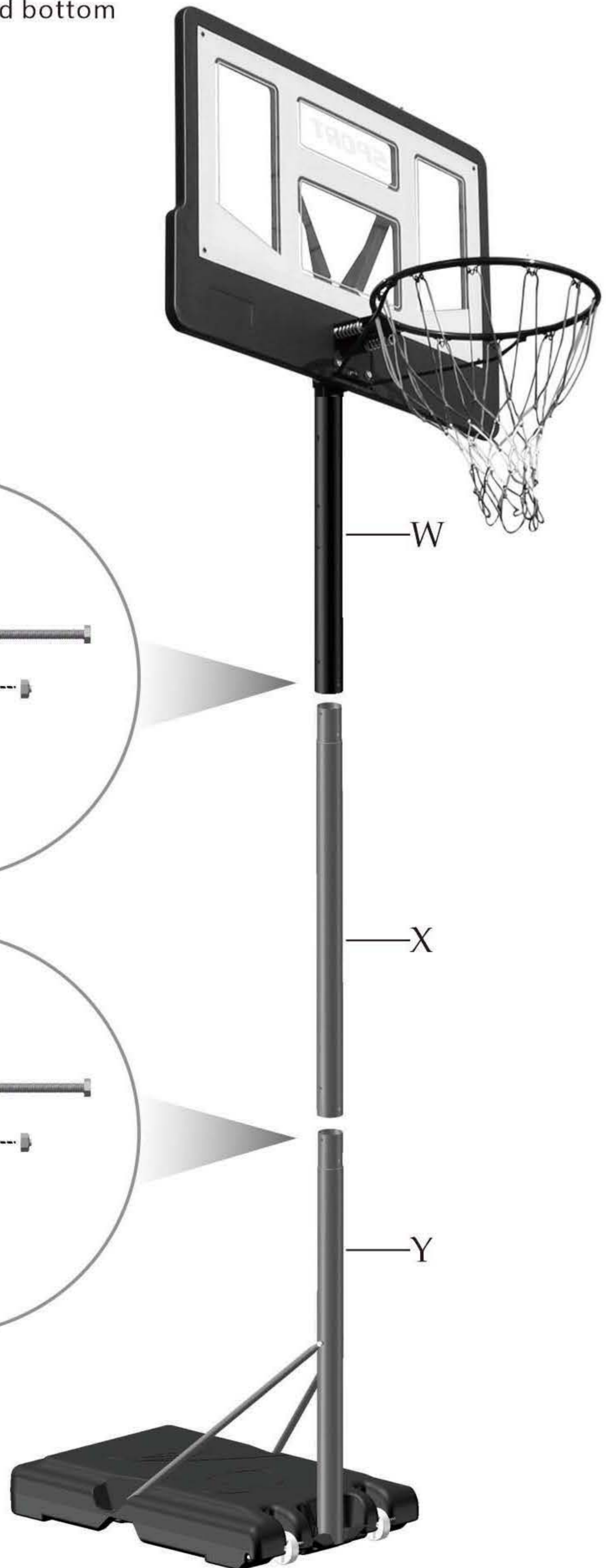
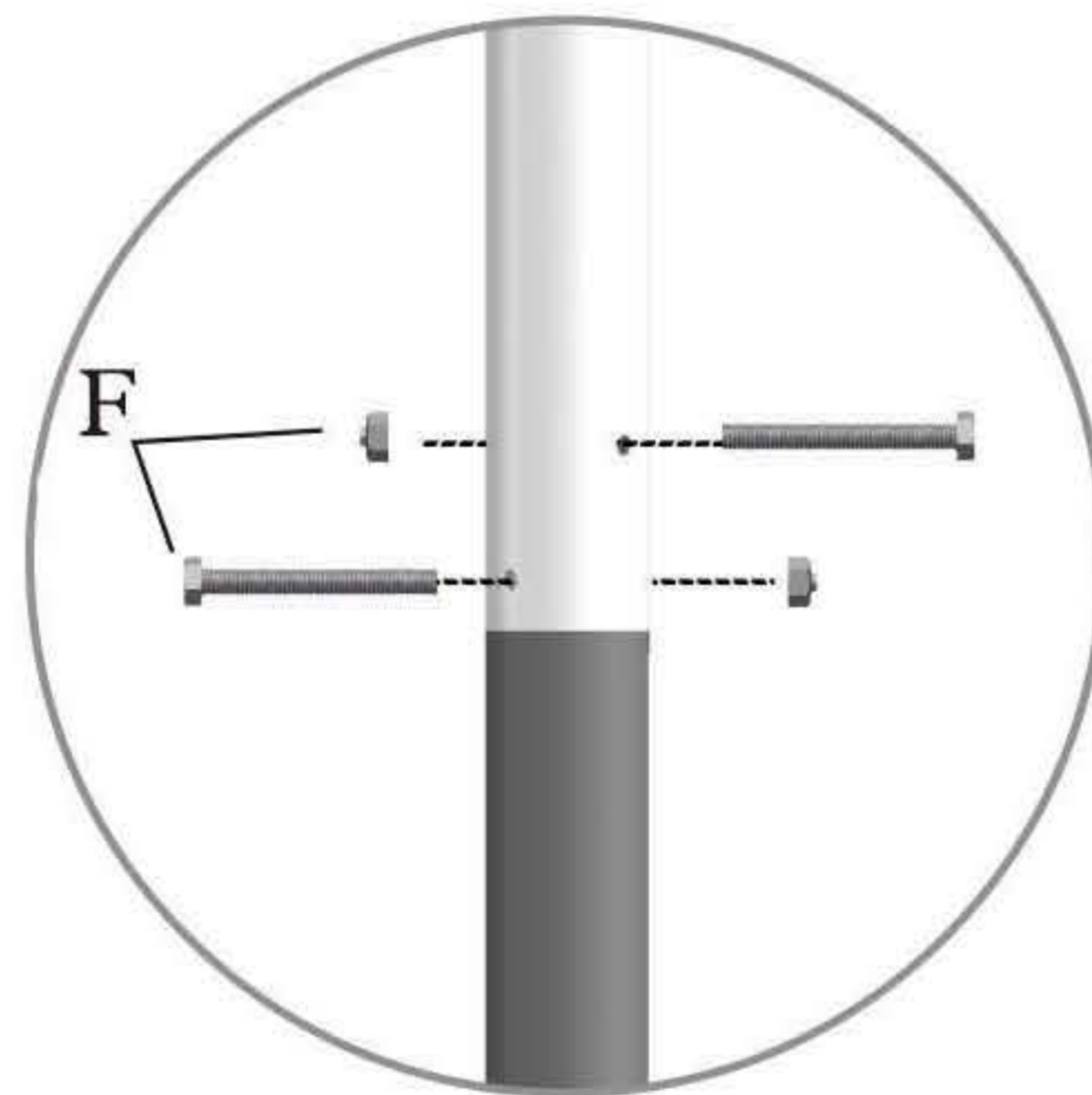
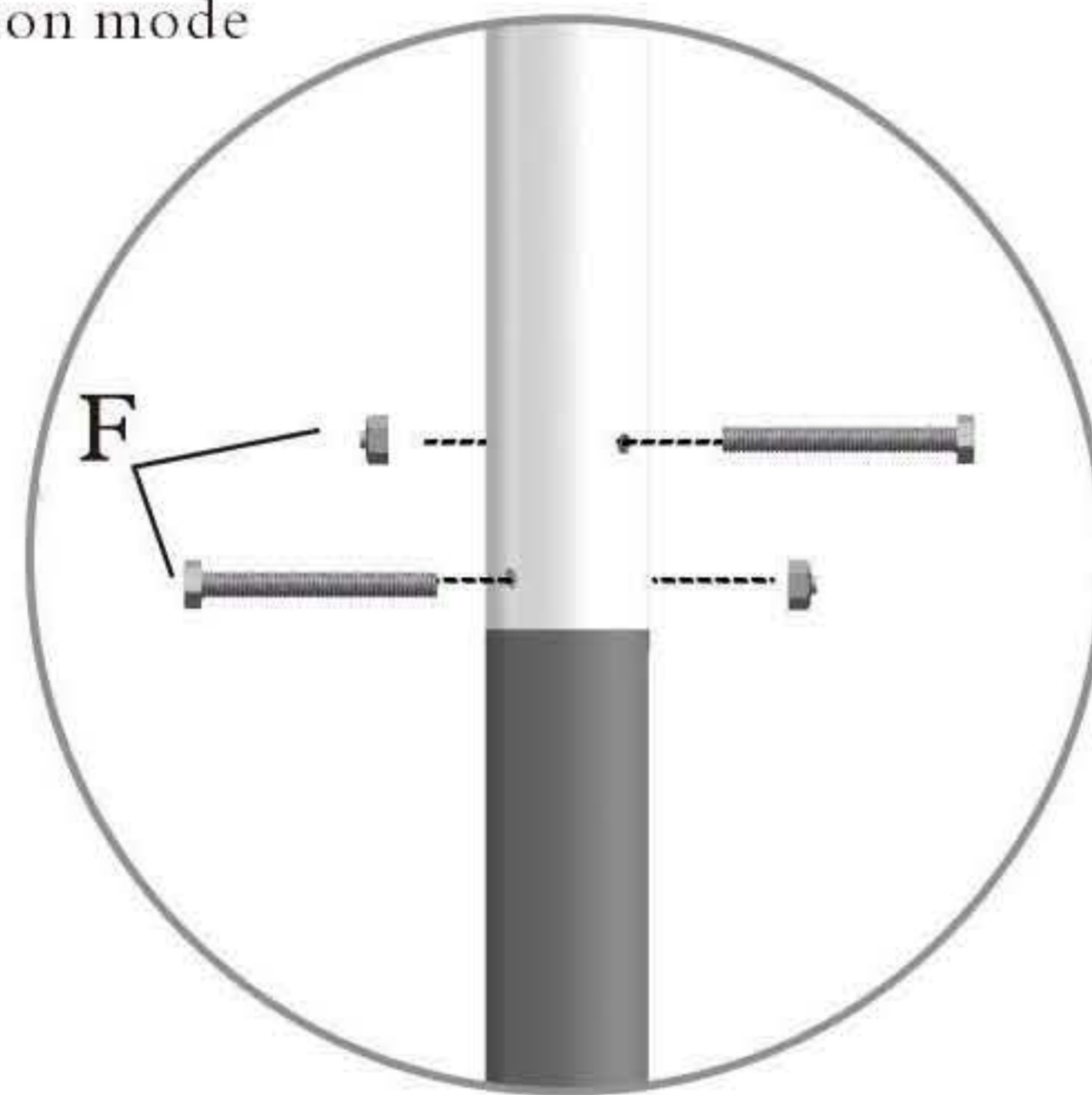
Note:Angle screw mounting holes

5) Mounting the base bracket:

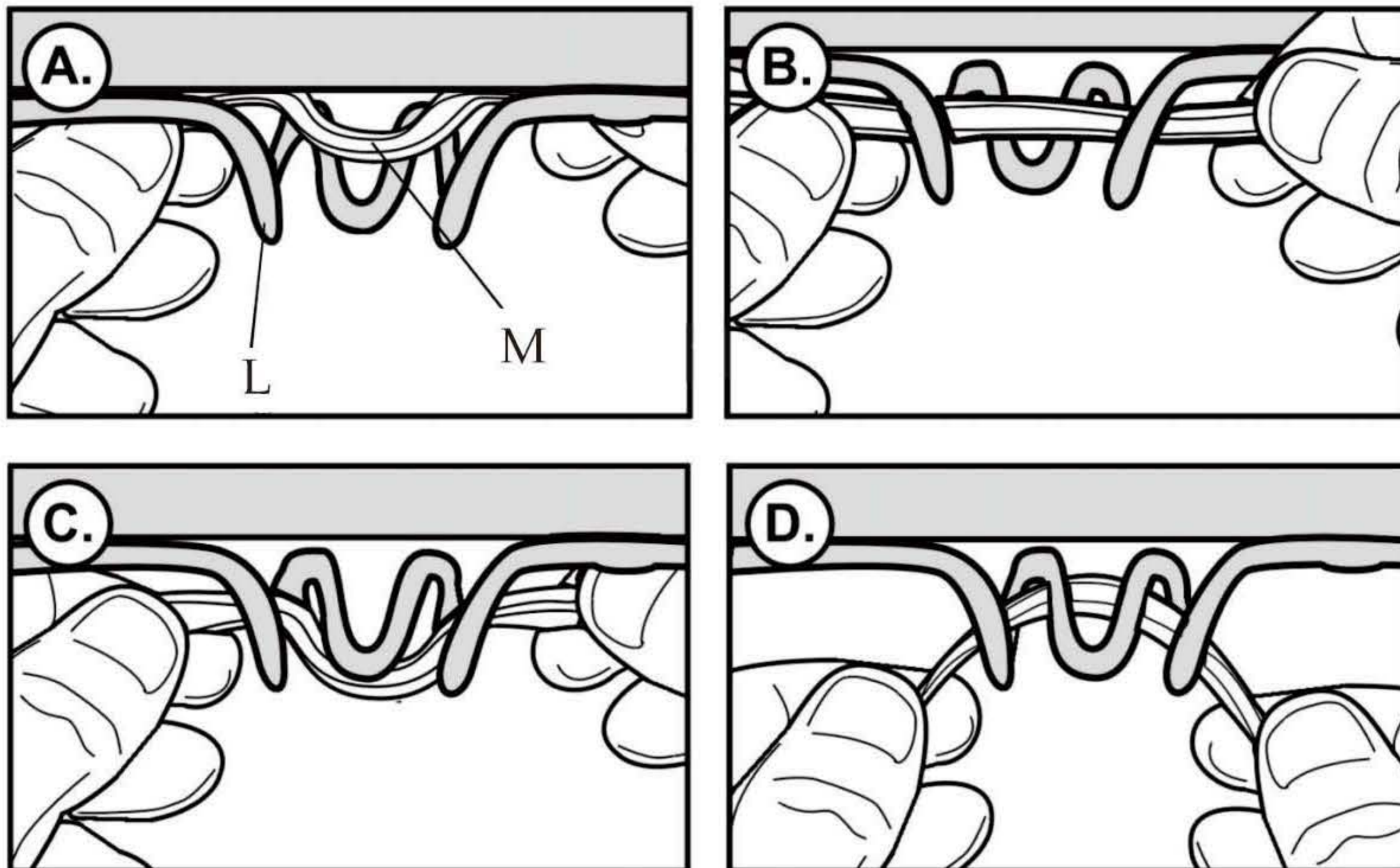
As shown, Fix top pole(W) and middle pole(X) together by 2 pcs of bolt (F) . After that, Fix middle pole(X) and bottom pole(Y) together by 2 pcs bolt (F).



WXY tube connection mode



6) Install the ball net



If the product does not need to be moved frequently, we recommend filling the base with sand instead of water. Because water freezes below 0 degrees Celsius, it can damage the base. Note, however, that the sand can not be poured out after being loaded into the base.

