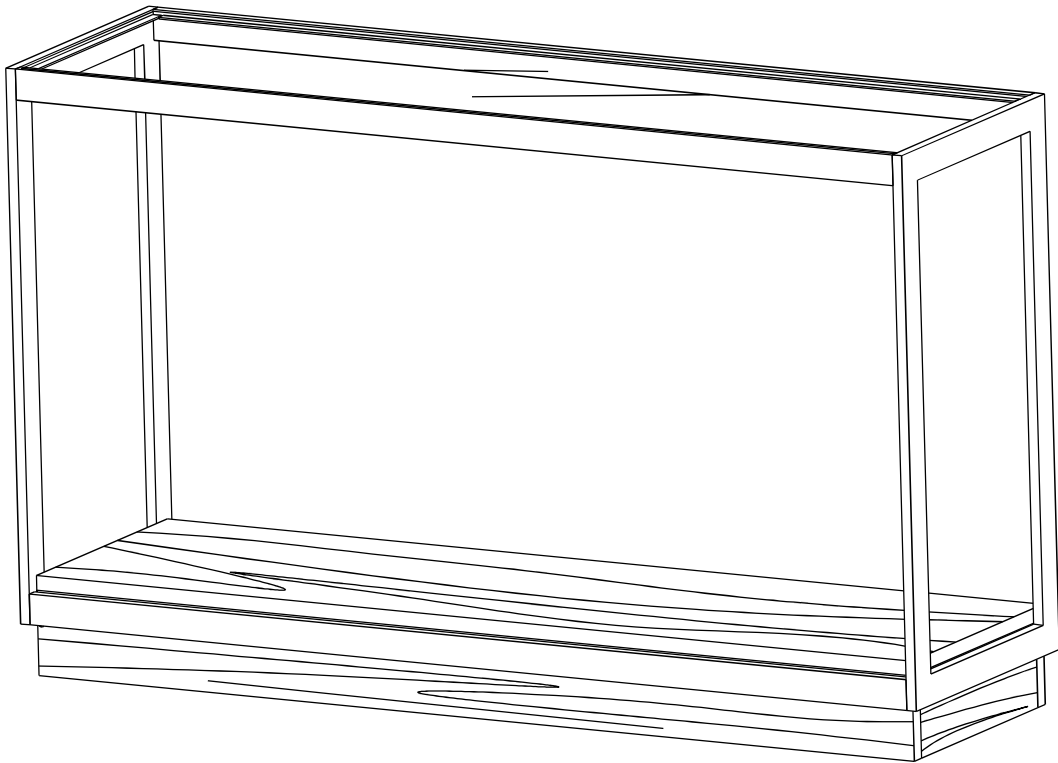
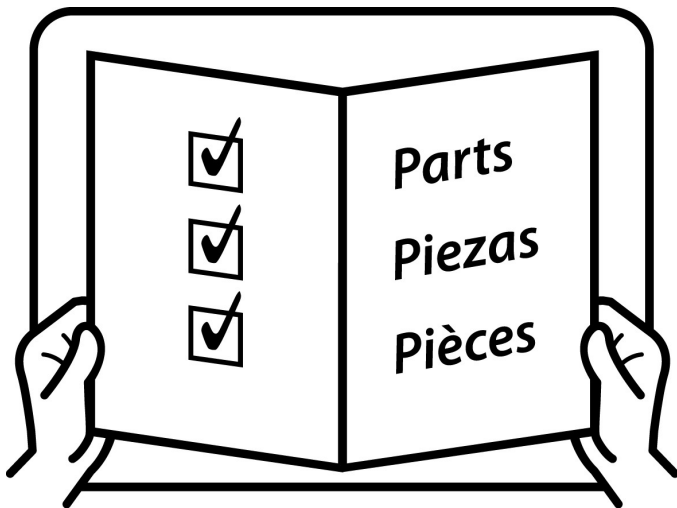
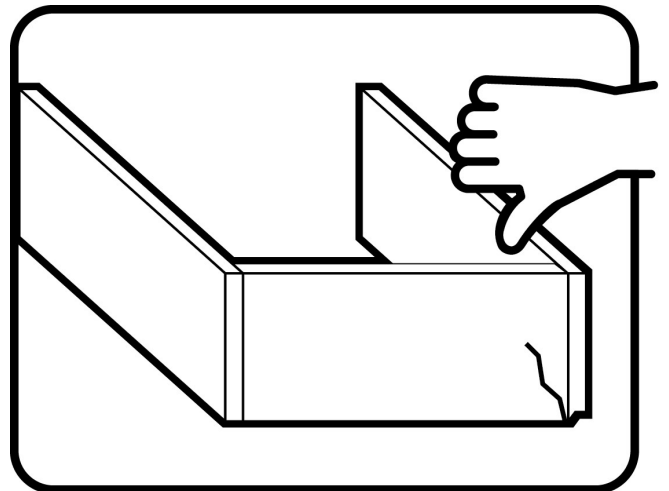
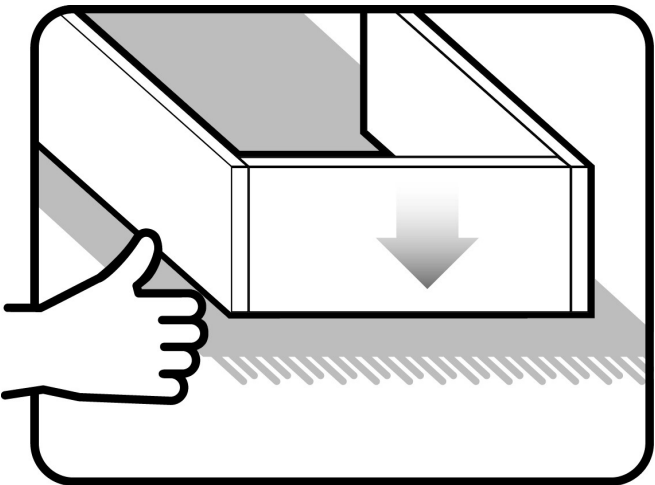
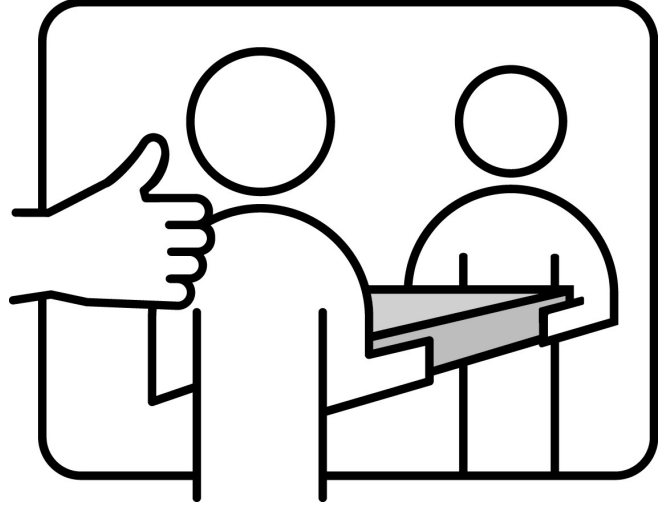
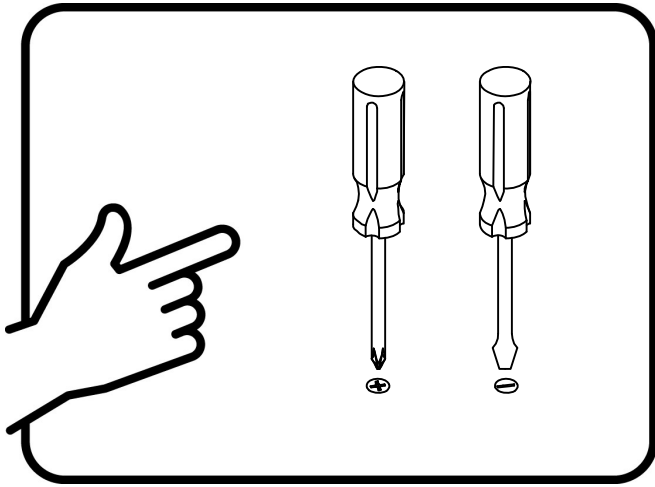


# Assembly | Asambla | Assemblage

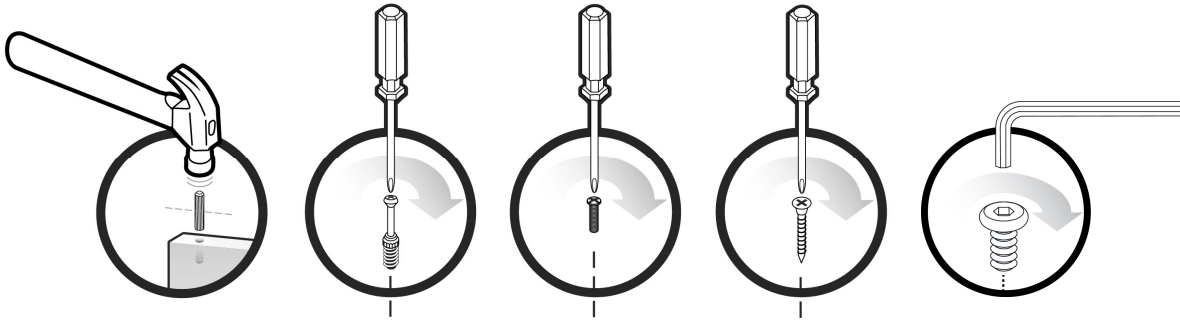


# Assembly | Asambllea | Assemblage



# Assembly | Asamblea | Assemblage

## Techniques | Técnicas | Techniques



## Care | Cuidado | Entretien



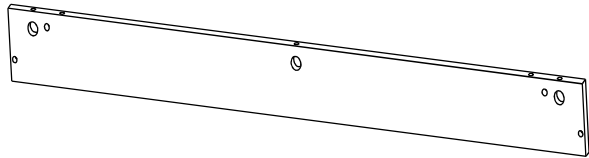
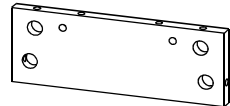
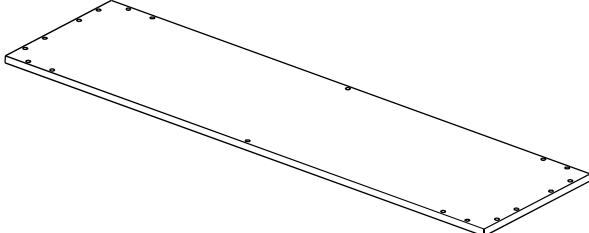
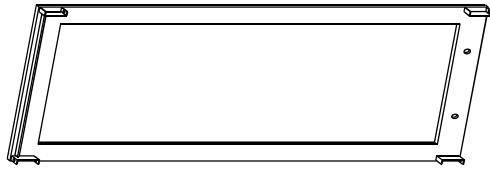
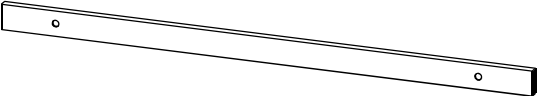
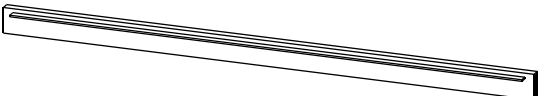
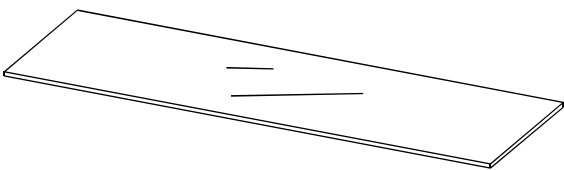
## Safety | Seguridad | Sécurité




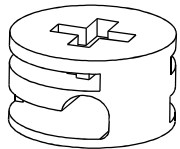

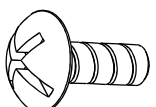
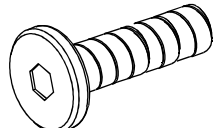


## Note! | ¡Nota! | Remarque!



# Assembly | Asamblea | Assemblage

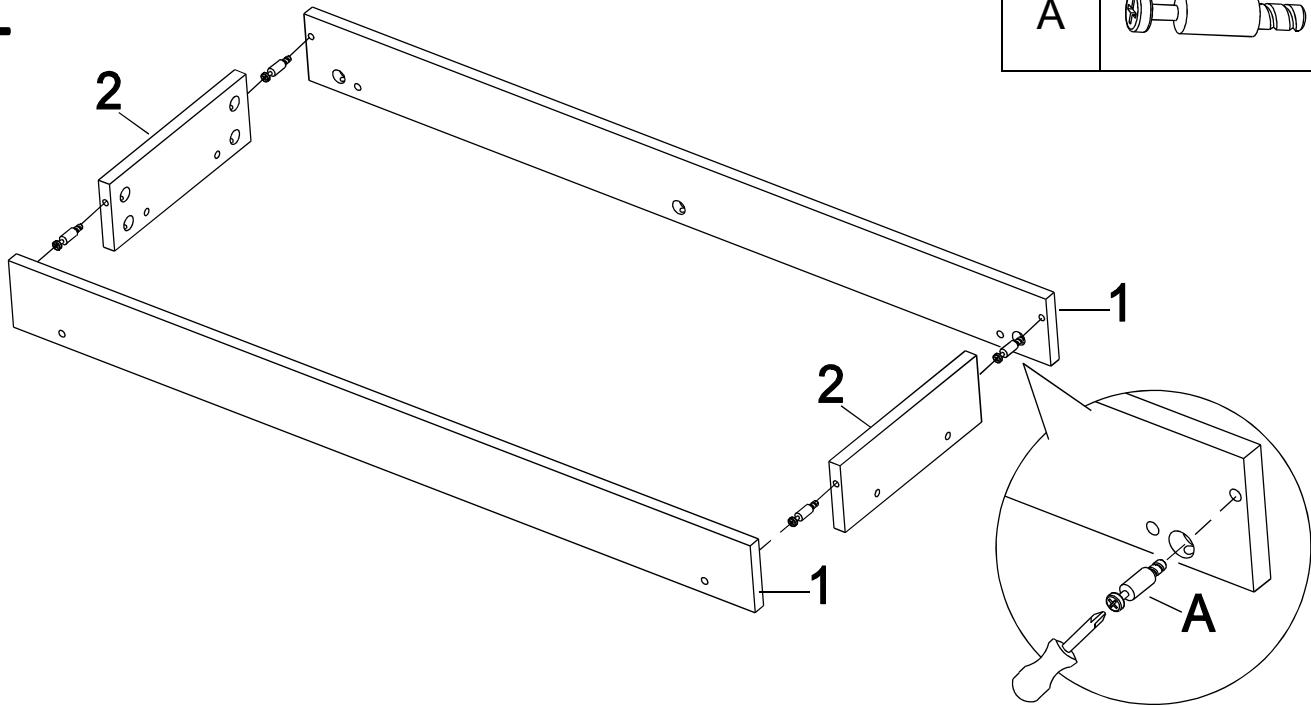
|   |  |
|---|--|
| <p>1 x2</p>  <p>Wooden Long Panel<br/>Panel largo de madera<br/>Panneau long en bois</p> | <p>2 x2</p>  <p>Wooden Short Panel<br/>Panel corto de madera<br/>Panneau court en bois</p>  |
| <p>3 x1</p>  <p>Wood Board<br/>Tabla de madera<br/>Planche de bois</p>                   | <p>4 x2</p>  <p>Metal Side Panel<br/>Panel lateral de metal<br/>Panneau latéral en métal</p> |
| <p>5 x2</p>  <p>Bottom Stretcher<br/>Camilla inferior<br/>Civière inférieure</p>       | <p>6 x2</p>  <p>Top Stretcher<br/>Camilla superior<br/>Civière supérieure</p>              |
| <p>7 x1</p>  <p>Glass Top<br/>Tapa de cristal<br/>Dessus en verre</p>                  |  |

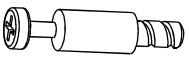
# Assembly | Asamblea | Assemblage

|   |   |
|---|---|
| <p>A x14</p>  <p>Cam Bolt<br/>Perno de leva<br/>Boulon à came</p>            | <p>B x14</p>  <p>Cam Lock<br/>Cam Lock<br/>Cam Lock</p>            |
| <p>C x8</p>  <p>Wood Dowel<br/>Taco de madera<br/>Goujon en bois</p>         | <p>D x8</p>  <p>Bolt<br/>Tornillo<br/>Boulon</p> <p>3/16"x1/2"</p> |
| <p>E x8</p>  <p>Bolt<br/>Tornillo<br/>Boulon</p> <p>1/4"x1"</p>            | <p>F x1</p>  <p>Allen Wrench<br/>Llave Allen<br/>Clé Allen</p>   |
| <p>G x6</p>  <p>Glass Pad<br/>Almohadilla de vidrio<br/>Patin de verre</p> |   |

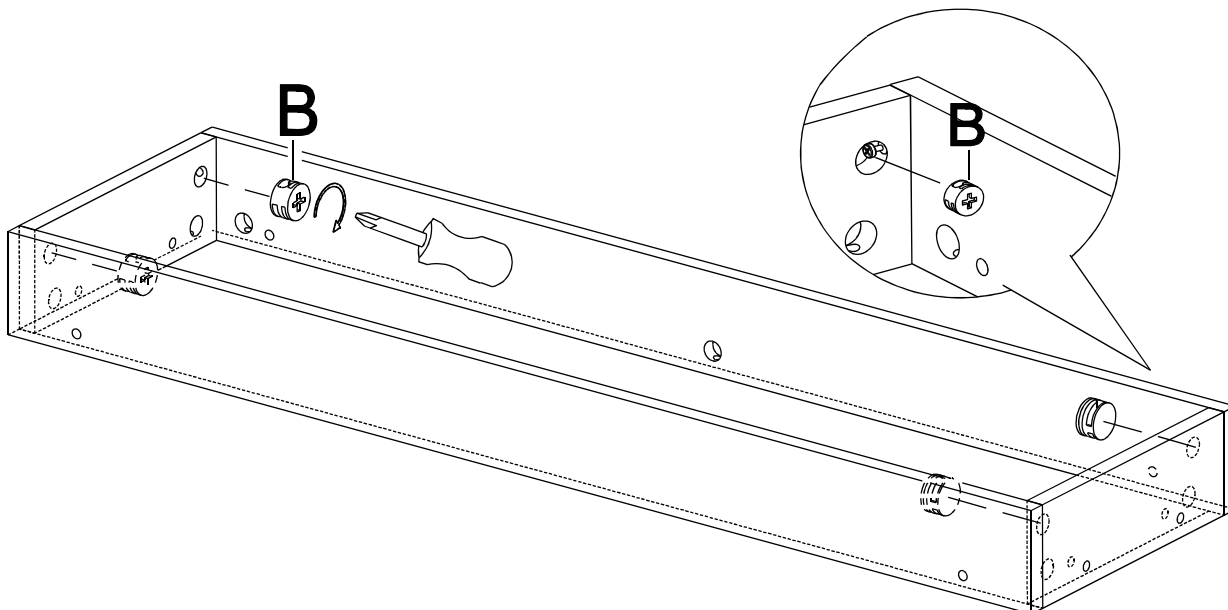
# Assembly | Asambla | Assemblage


1



|   |   |    |
|---|---|----|
| A |  | X4 |
|---|---|----|

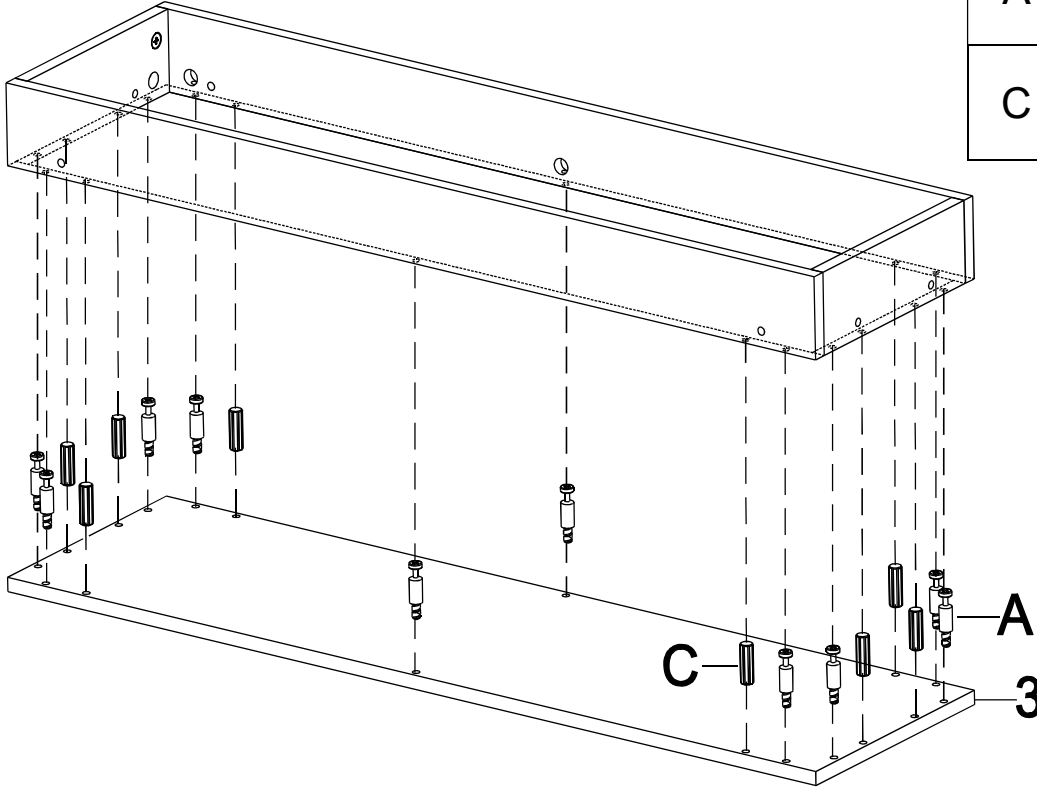
2





|   |   |    |
|---|---|----|
| B |  | X4 |
|---|---|----|

# Assembly | Asambla | Assemblage

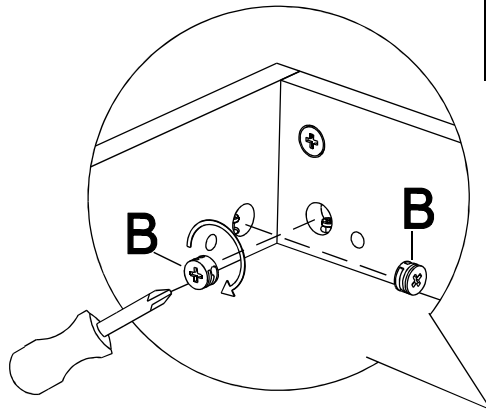
3

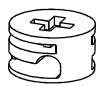


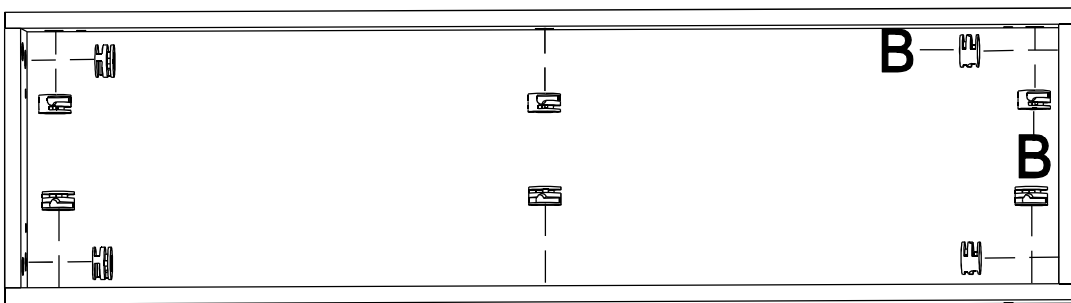
|   |   |     |
|---|---|-----|
| A |  | X10 |
| C |  | X8  |

Make sure  
screws are not  
overtightened

4

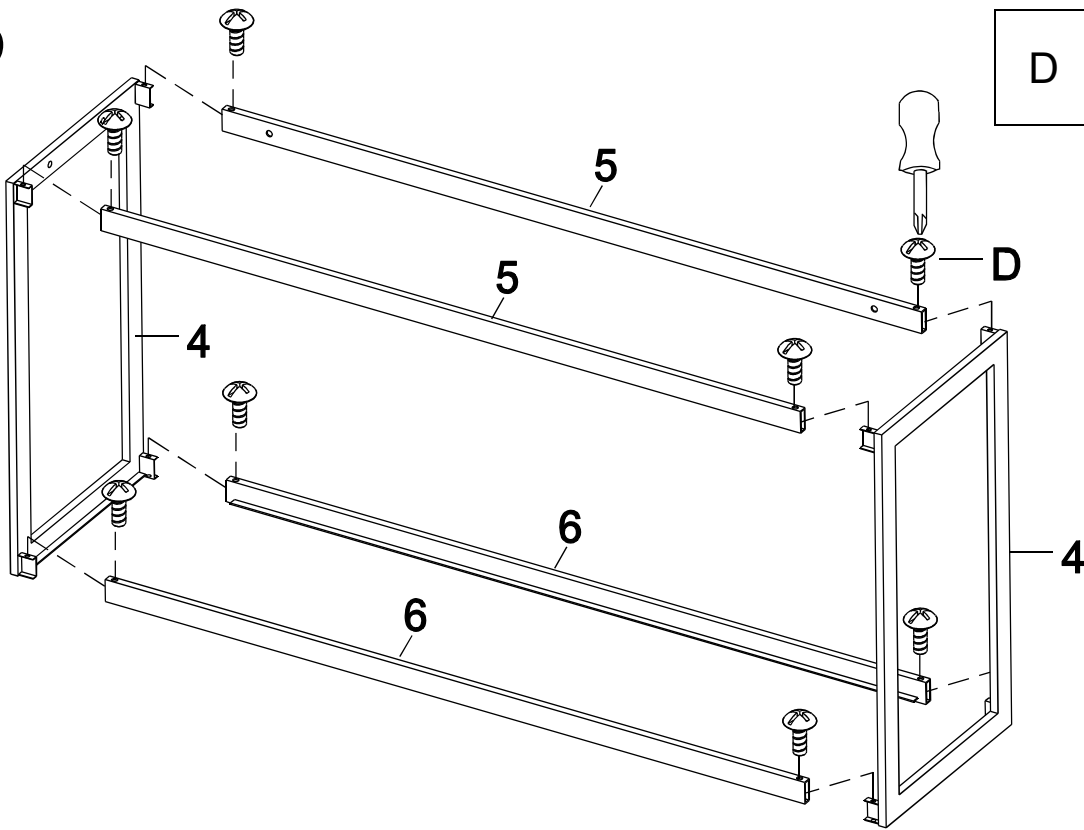


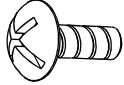
|   |   |     |
|---|---|-----|
| B |  | X10 |
|---|---|-----|



# Assembly | Asambla | Assemblage

5

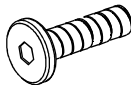



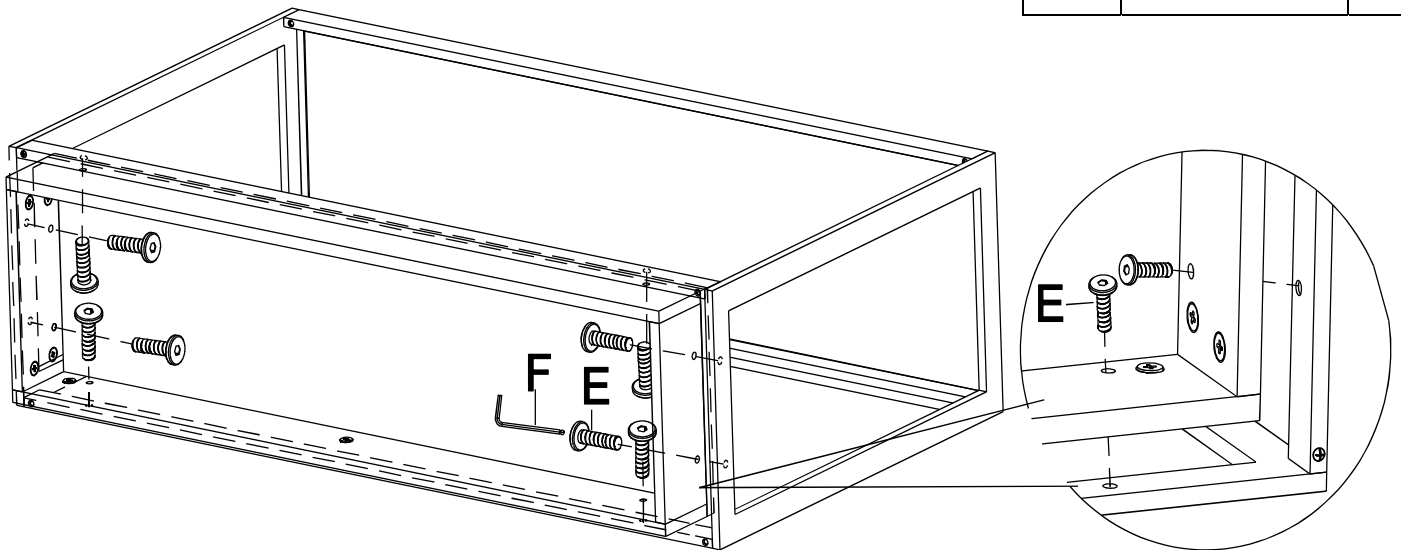
|   |   |    |
|---|---|----|
| D |  | X8 |
|---|---|----|

Make sure  
holes are  
aligned  
correctly

6


Do not  
overtighten  
screws

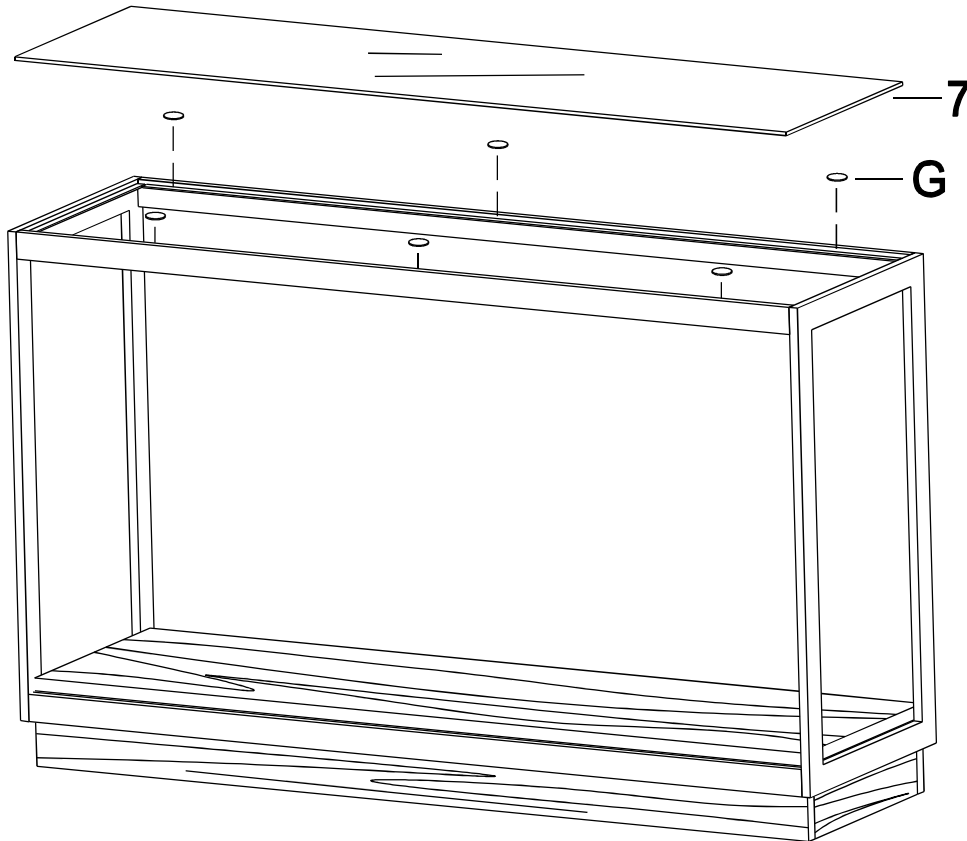
|   |   |    |
|---|---|----|
| E |  | X8 |
| F |  | X1 |



# Assembly | Asambla | Assemblage

7

|   |   |    |
|---|---|----|
| G |  | X6 |
|---|---|----|



Weight needs to be displaced evenly, when setting glass top