



Assembly Guide

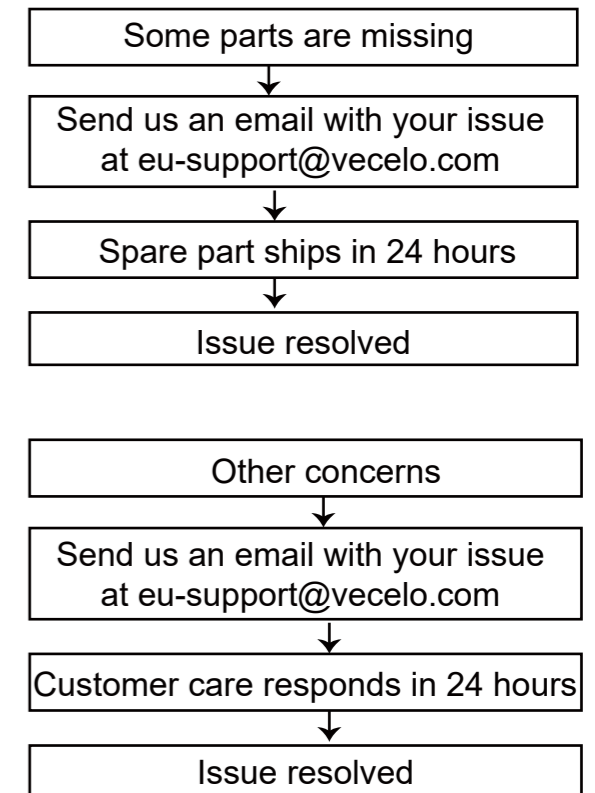
Tip!

DO check for all the components and screws listed in this guide before putting things together. If any part is missing, contact us at eu-support@vecelo.com for the missing part.

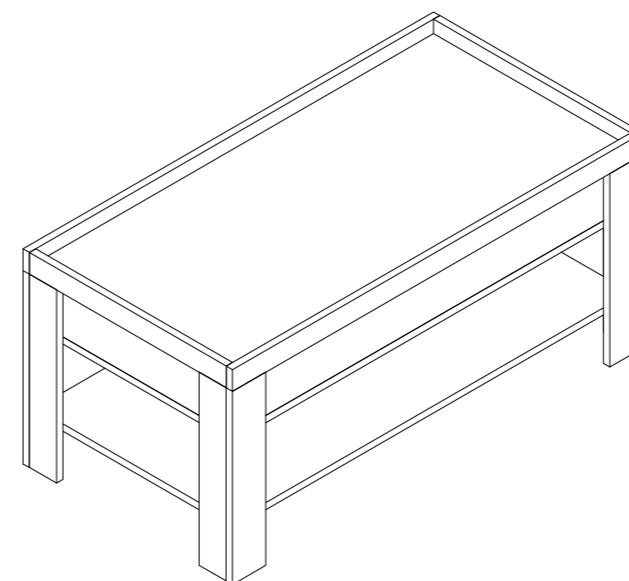
Return Policy

Your satisfaction is our top priority. If our product fails to satisfy you, please let us know how we can make things right for you. Our trained customer care team can handle most concerns and assist you with any questions you may have. Simply shoot them a message at eu-suport@vecelo.com with your order number and question. To be eligible for a full-refund return, the item must be in pristine condition, in the original packaging, with all of the shipped components intact and not yet assembled, and with the item's unique proof of purchase.

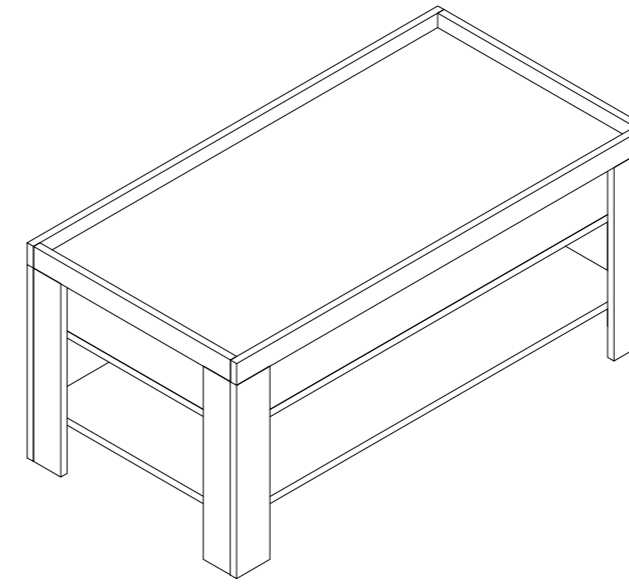
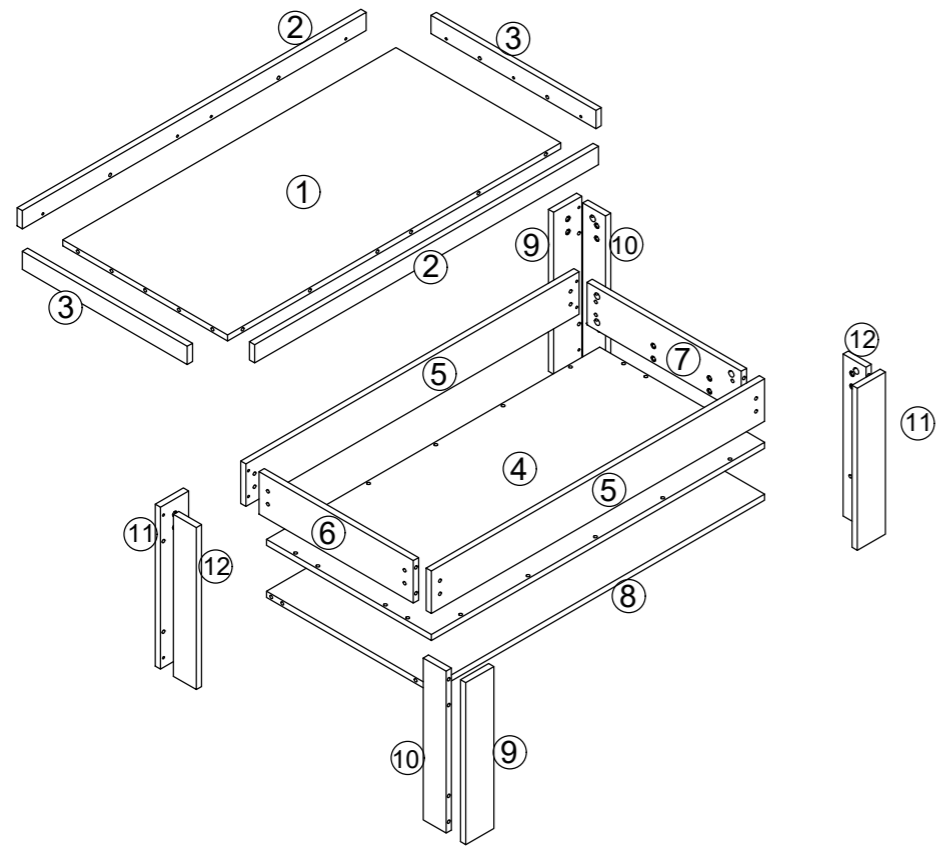
Trouble shooting:



We run our own manufacturer, so rest assured about the quality consistency.

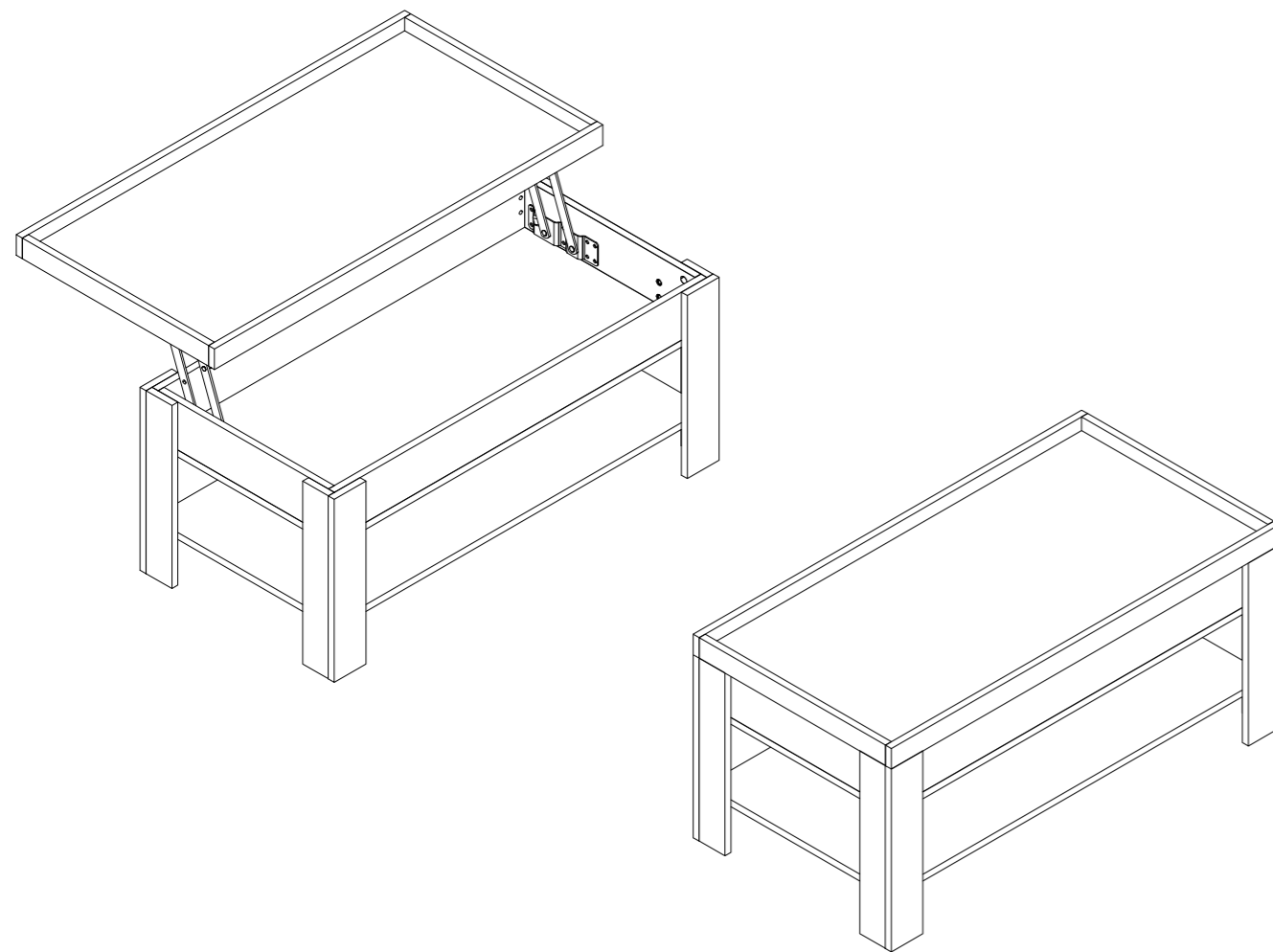


Item Description: Coffee Table
Dimension: 98*50*45cm
Model NO: DS-NO.1



Coffee Table

Dimension: 98*50*45cm

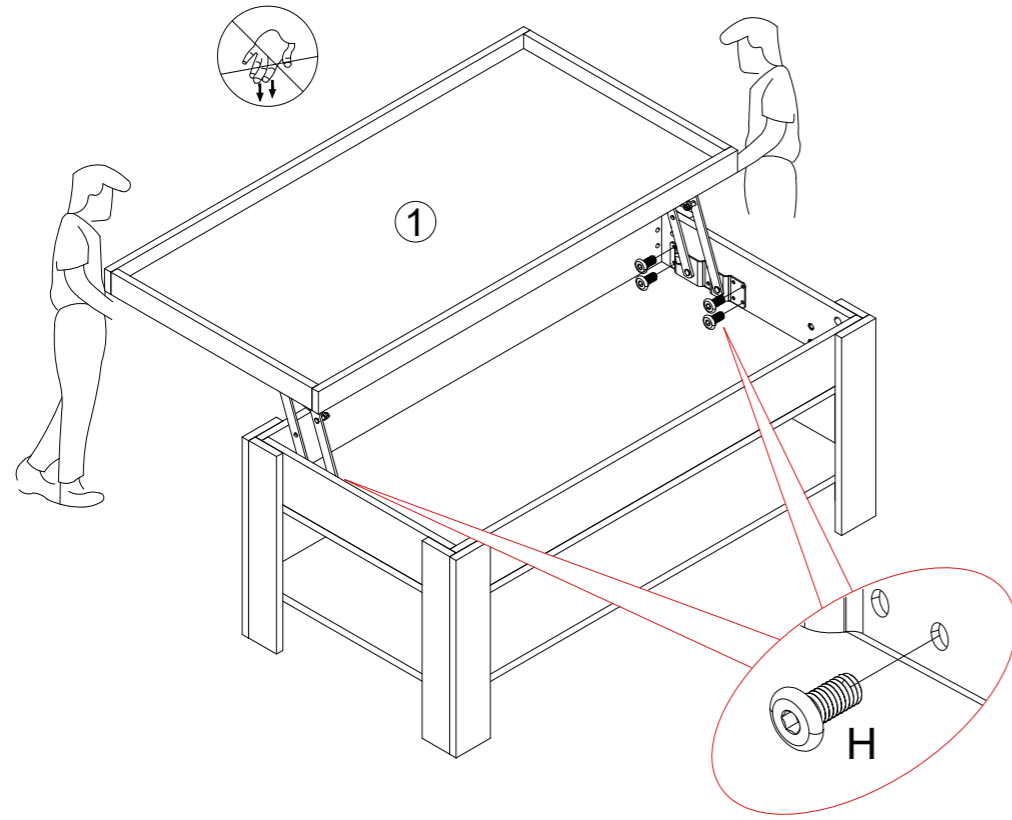


CONTACT US

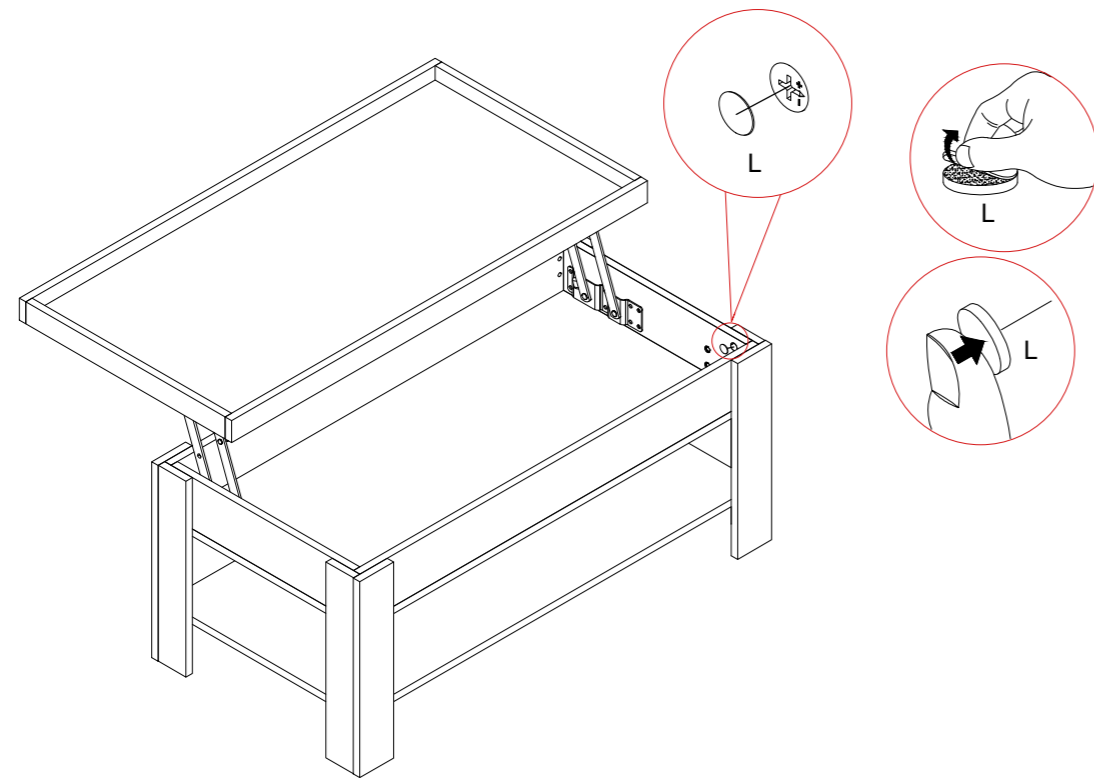
Email: eu-support@vecelo.com

Website: www.vecelo.com

Step 11



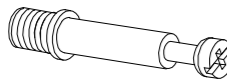
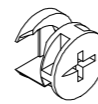

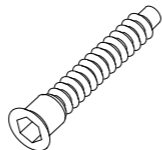
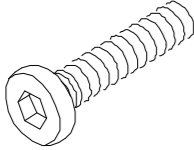
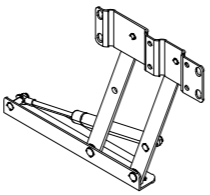
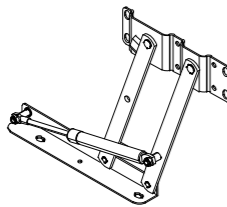
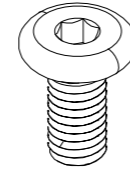
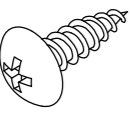

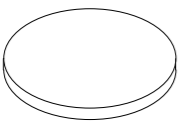
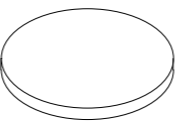
Step 12



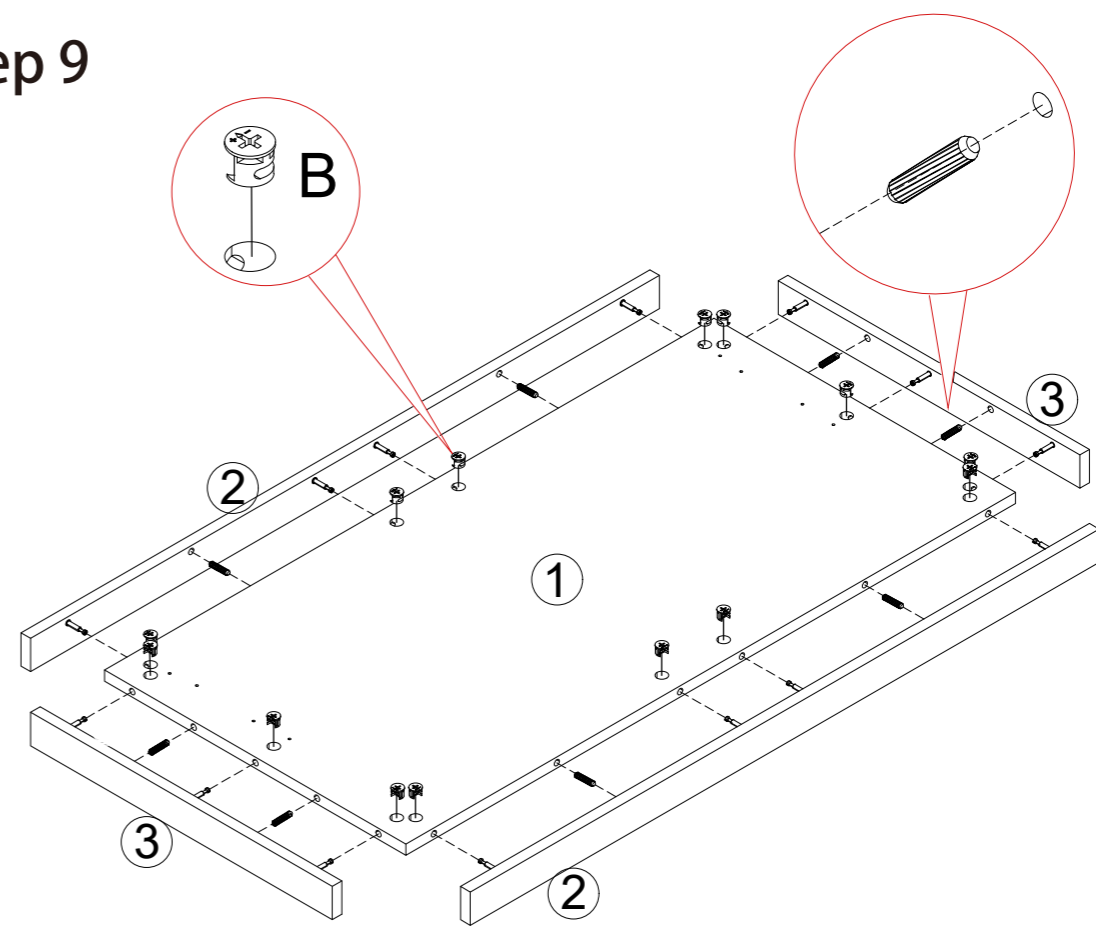
Components



1	 949*470*15mm	1	2	 980*45*15mm	2
3	 470*45*15mm	2	4	 940*460*15mm	1
5	 940*105*15mm	2	6	 430*105*15mm	1
7	 430*105*15mm	1	8	 940*460*15mm	1
9	 400*80*15mm	2	10	 400*65*15mm	2
11	 400*80*15mm	2	12	 400*65*15mm	2

Screws & Tools

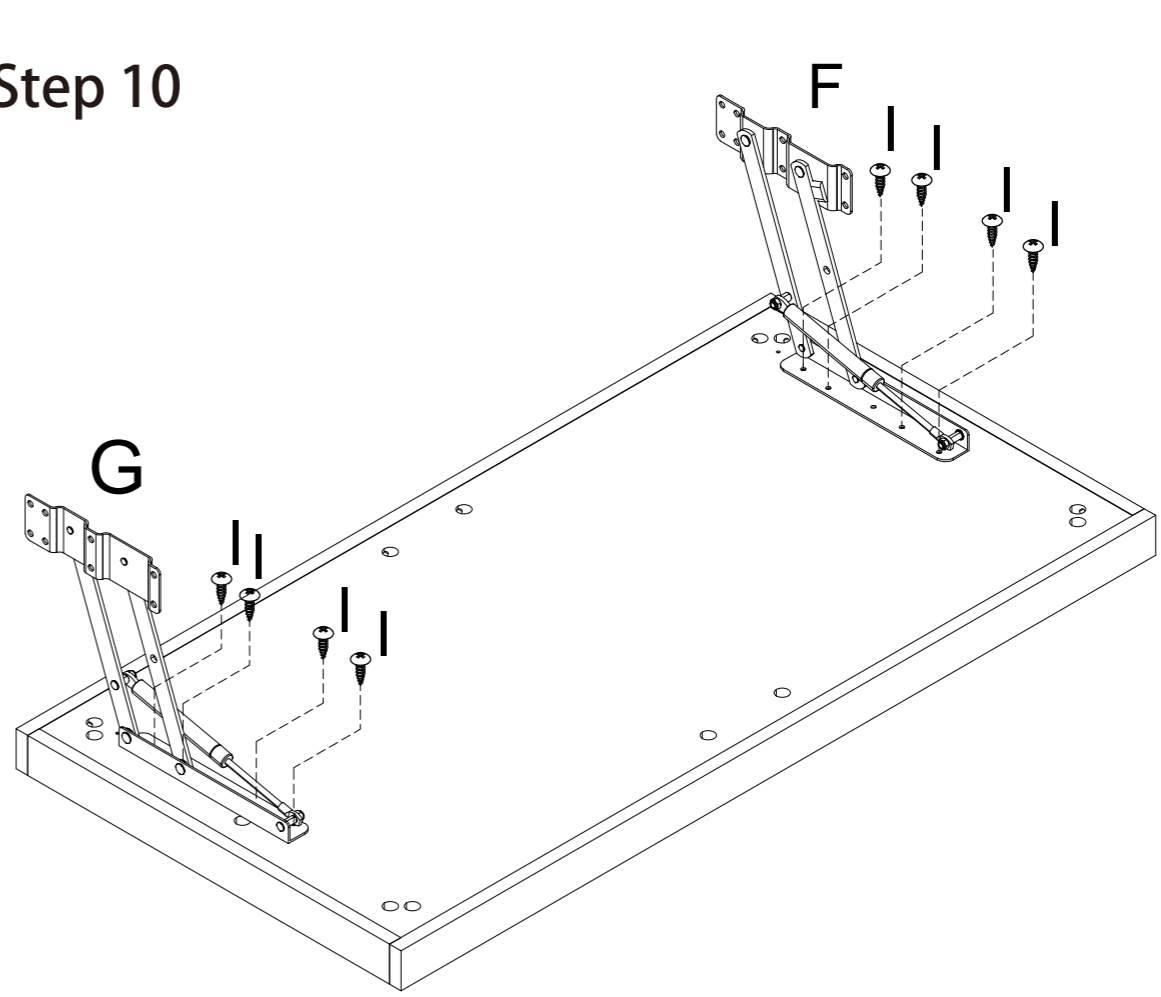
A		34pcs	B		34pcs
C		28pcs	D		10pcs
E	 M6×25mm	16pcs	F		1pc
G		1pc	H	 M6×12mm	8pcs
I	 Ø4x14mm	8pcs	J		1pc
K		8pcs	L		22pcs




Step 9



	BX14
	CX8

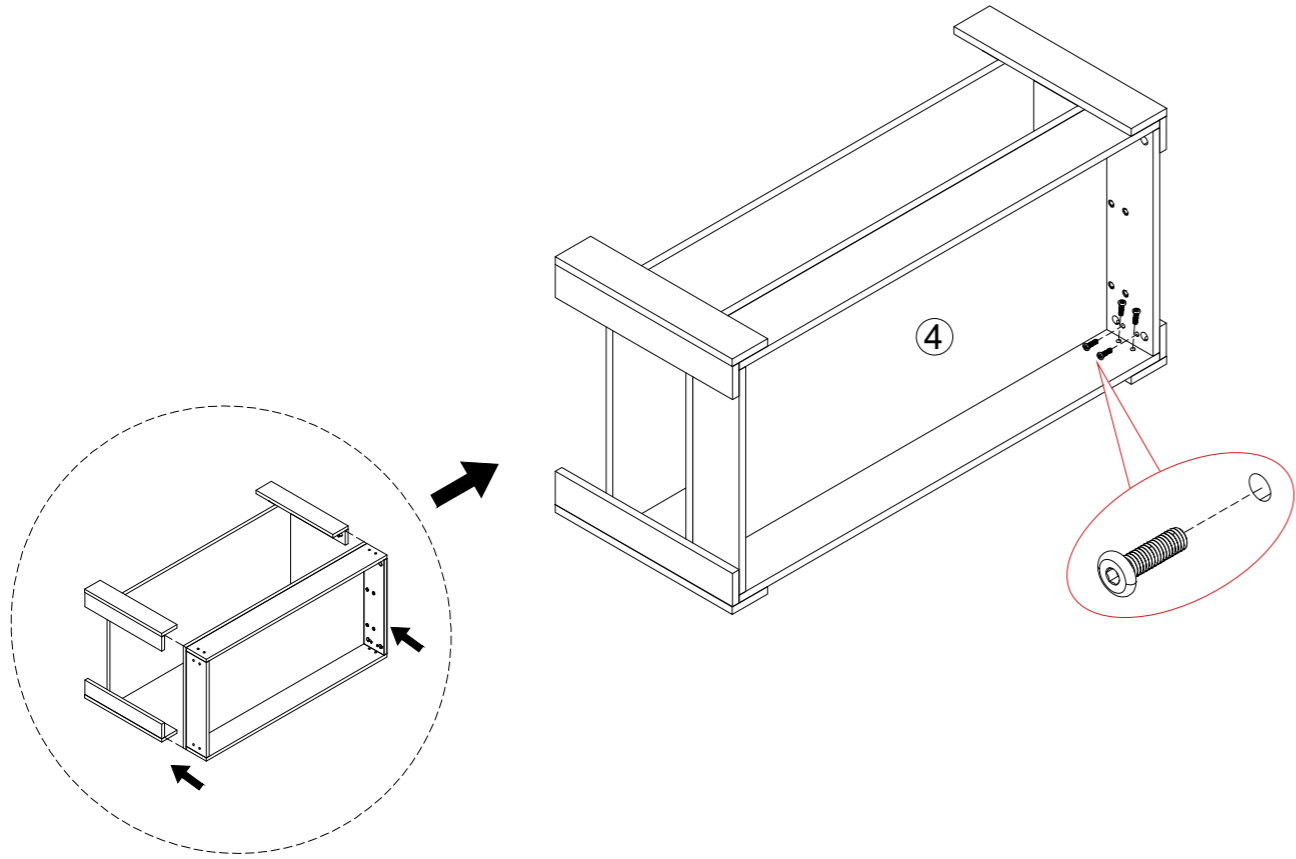
Step 10



	FX1
	GX1
	IX8

Step 7

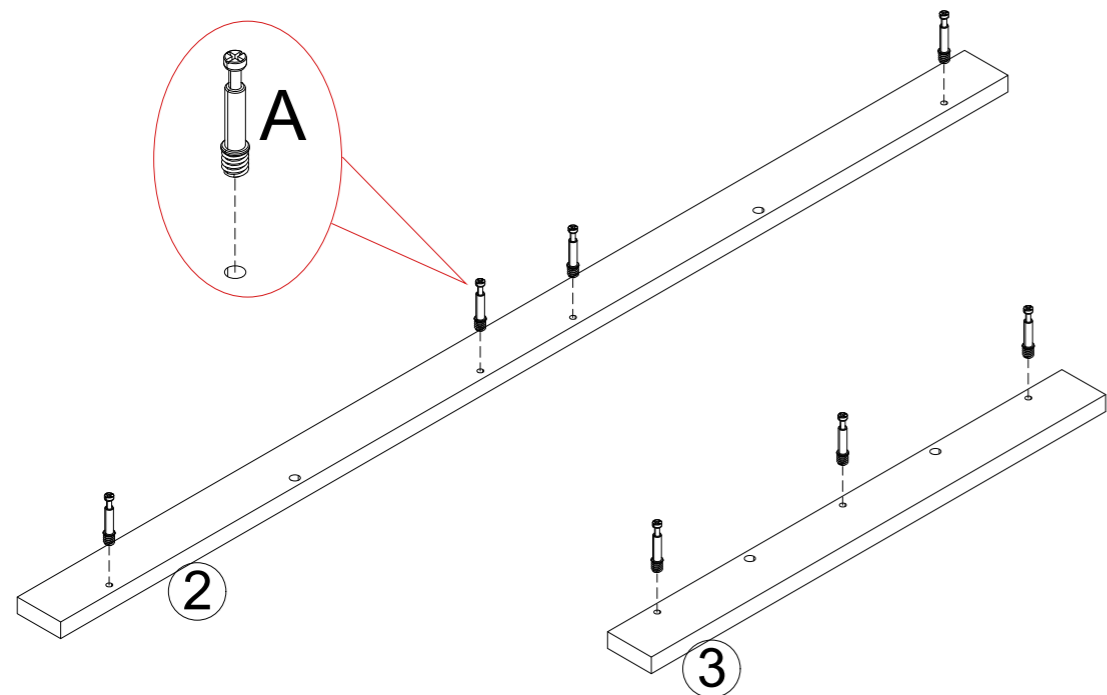
EX16



Step 8

AX14

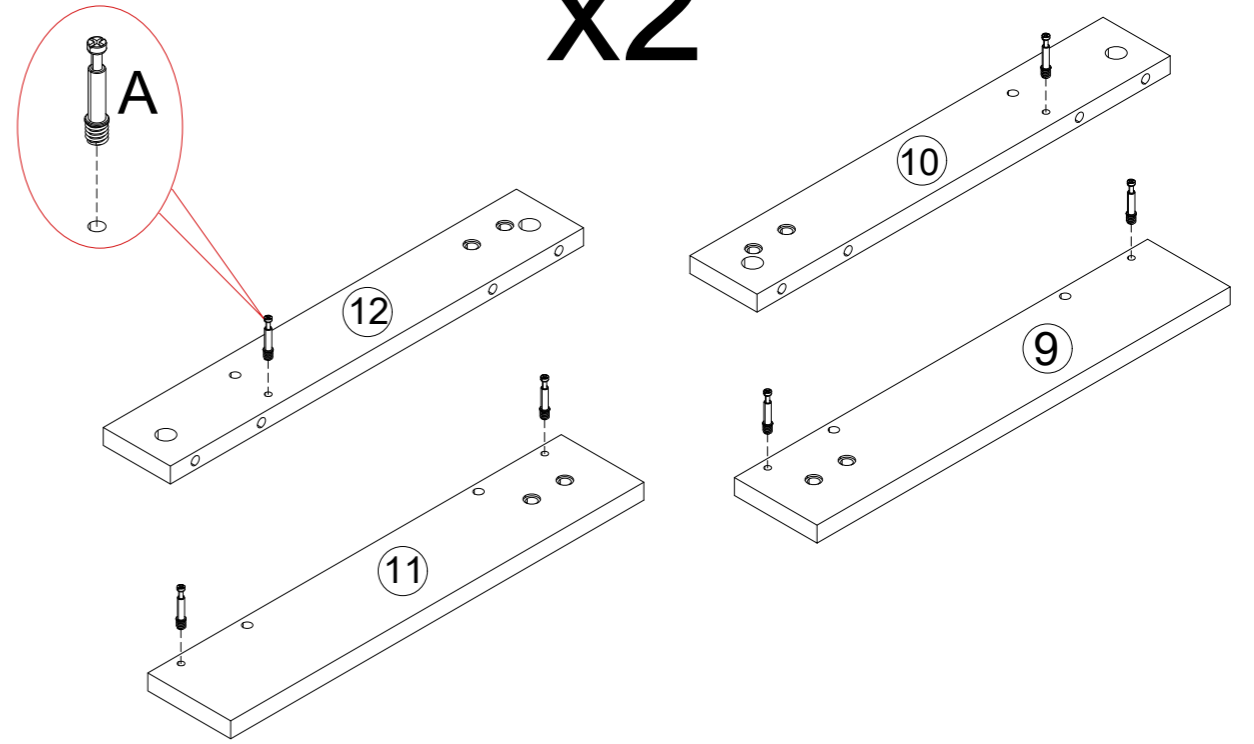
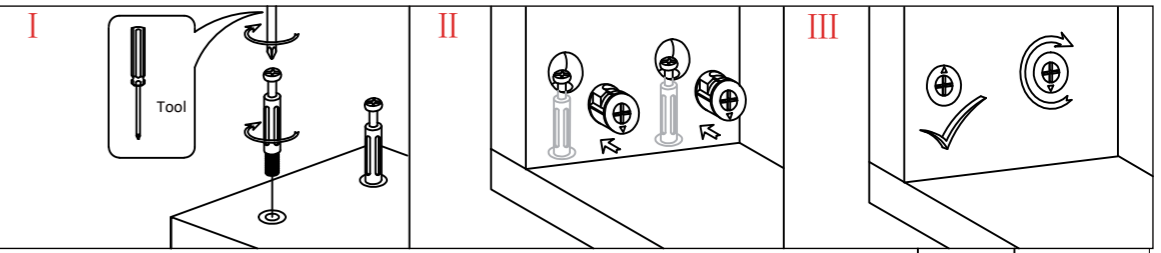
x2



Step 1

AX12

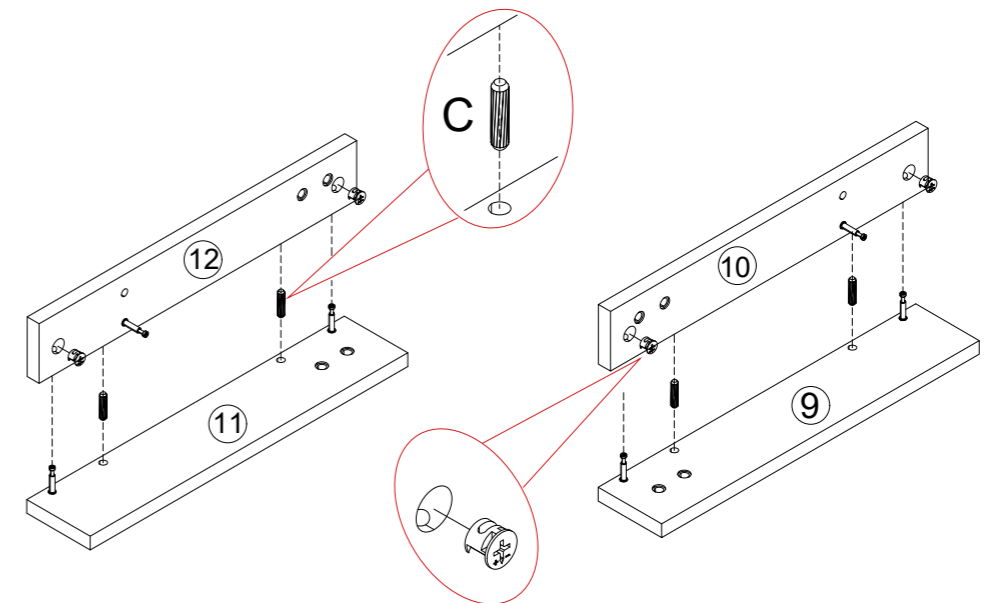
"A&B" Hardware Assembly example



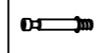
Step 2

	BX8
	CX8

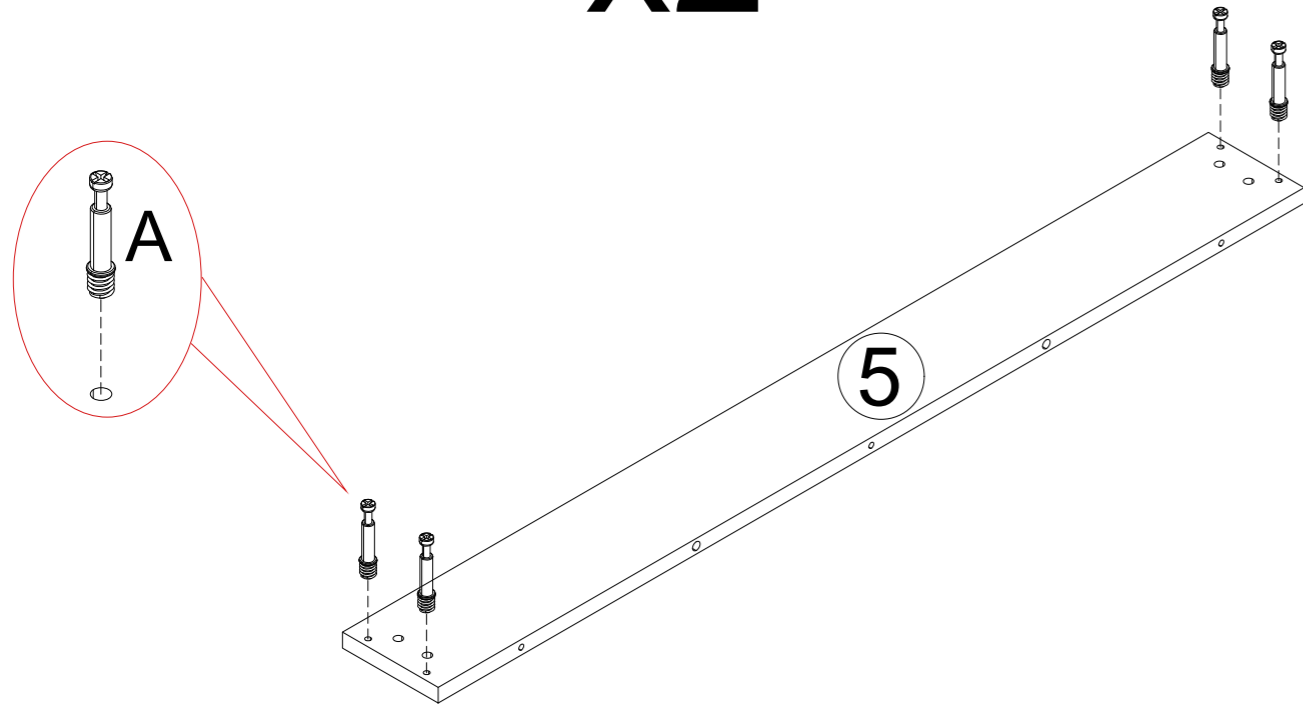
x2



Step 3

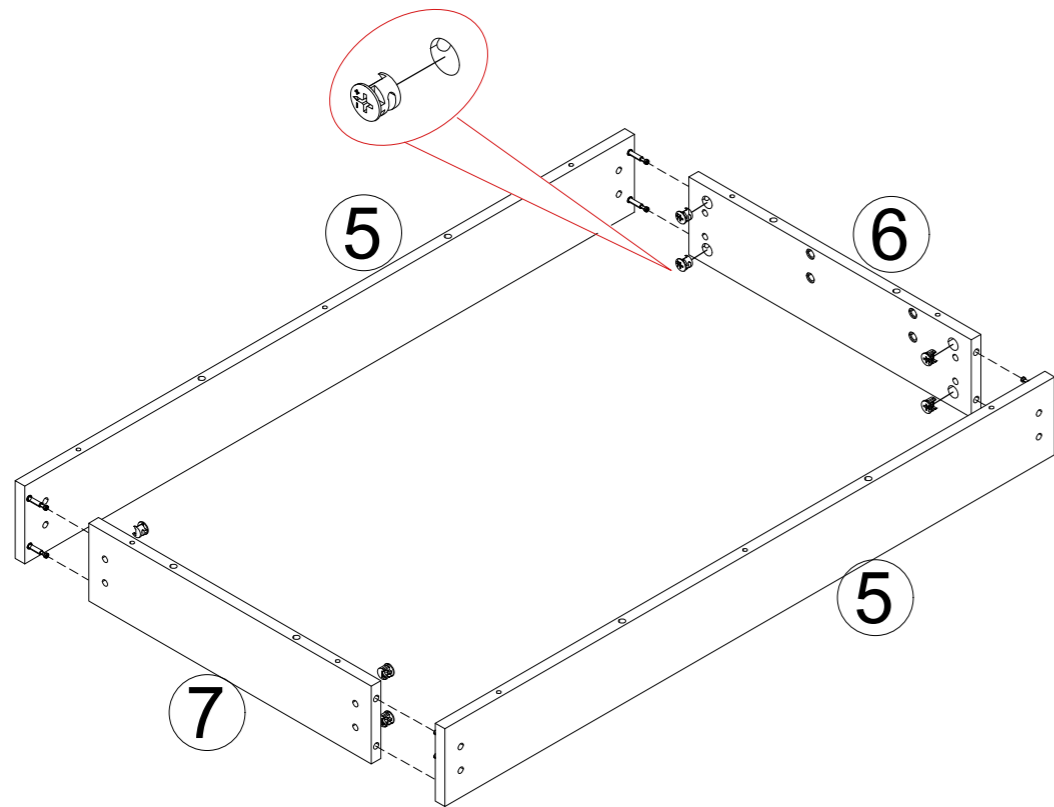
 AX8

x2


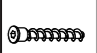


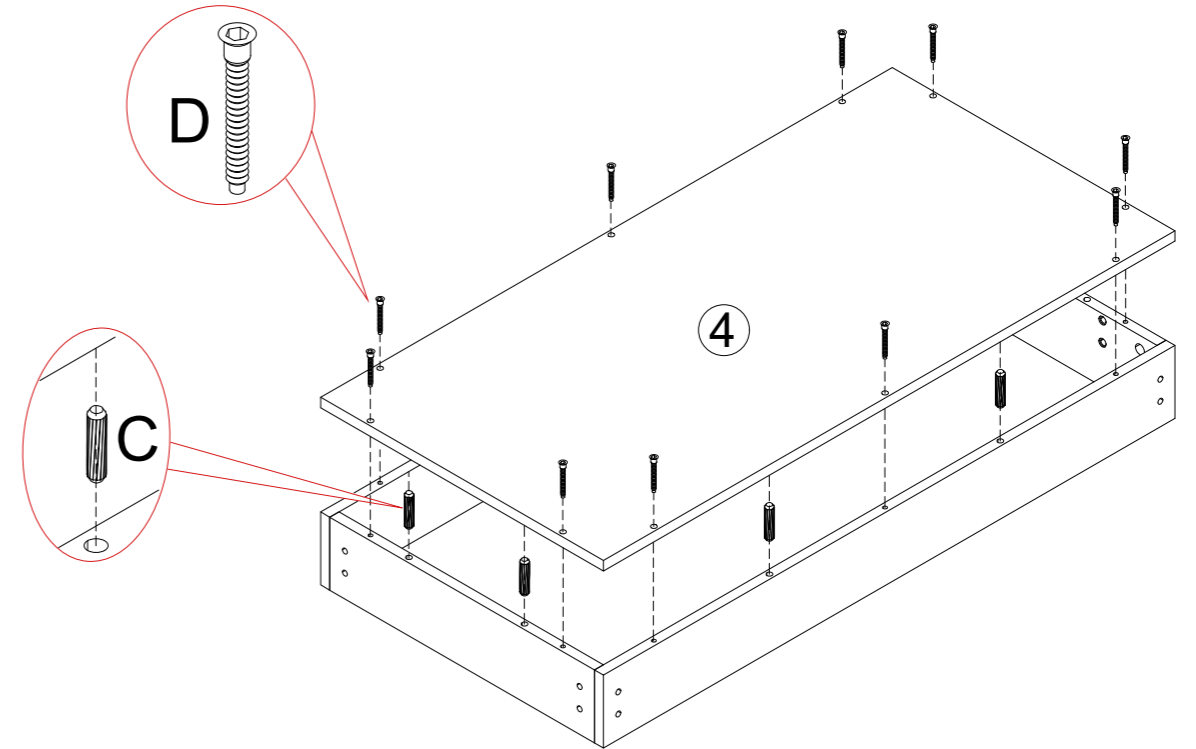
Step 4

 BX8






Step 5

 CX8
 DX10



Step 6

 BX4
 CX4
 KX8

