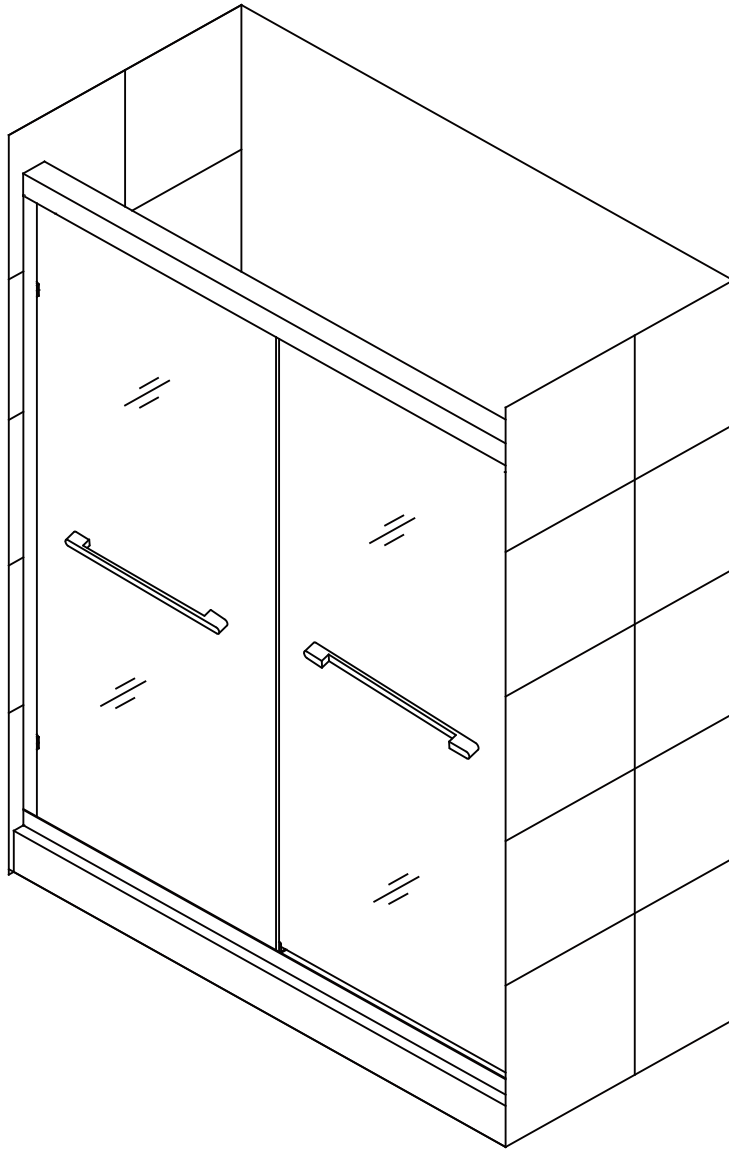


## 6072 Black shower door-25

---

If you have any questions about the shower door, please feel free to contact us.



**P25122-D1**

**IMPORTANT**

**PLEASE READ BEFORE YOU COMMENCE ASSEMBLY**

Follow the guidelines in this user guide to ensure correct assembly and care for this product.

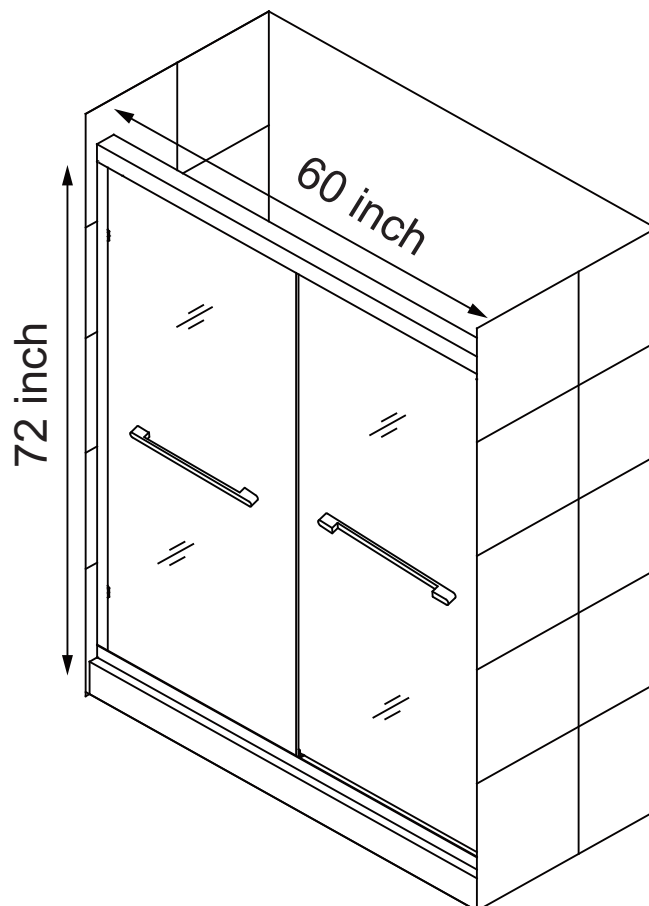
## Catalog

Catalog.....	01
Specifications.....	01
Exploded Views .....	02
Part List And Extra .....	03
How to Assemble Shower Door .....	04

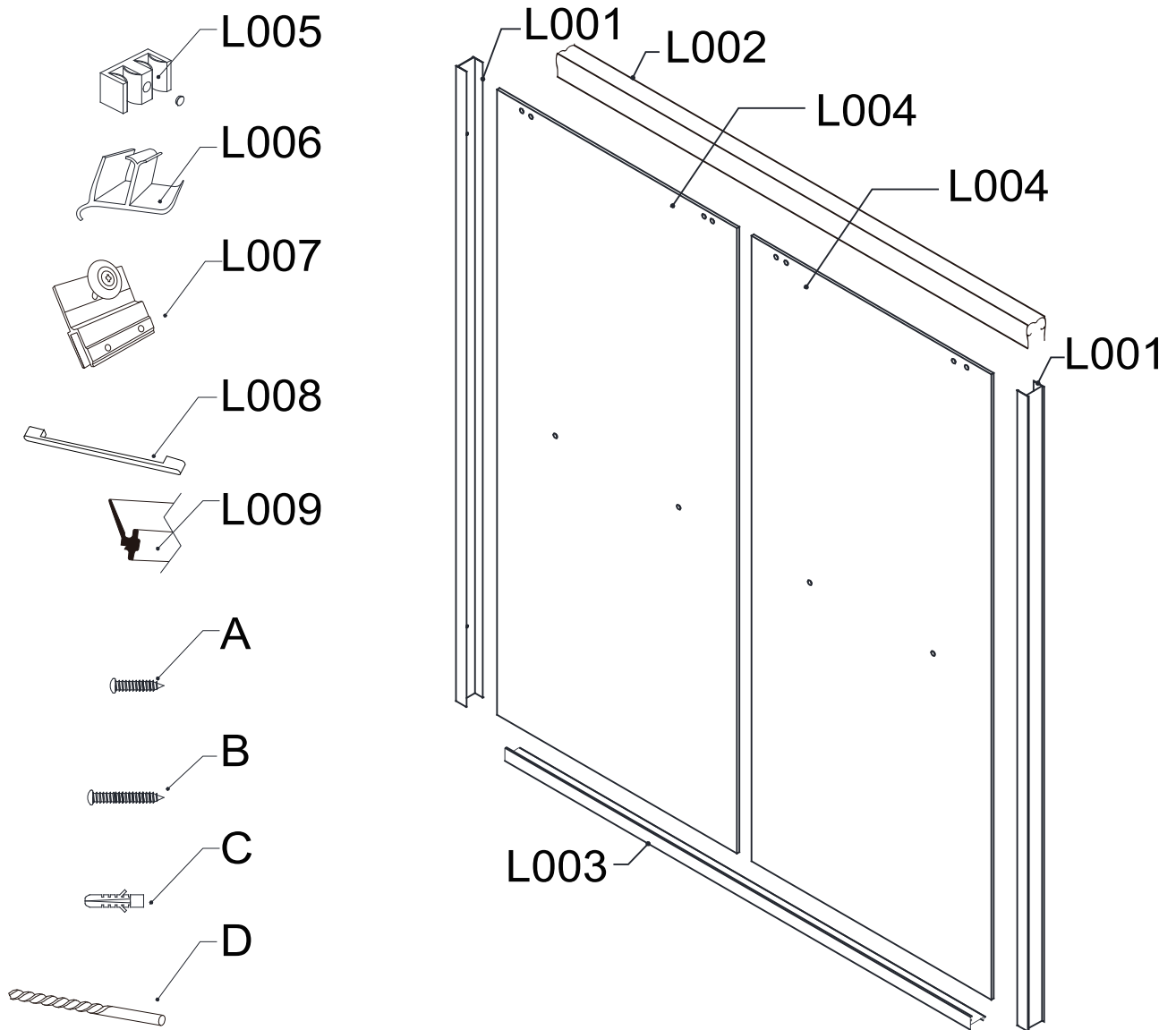
Thank you for ordering the Shower Door, here are some tips which may help you:

- 1.If any part is damaged or missing (please refer to packing list on page 4), please feel free to contact us. We will send you the replacement immediately.
- 2.We hope you can enjoy our product, if you have any other problem, please feel free to contact us.

## SPECIFICATIONS

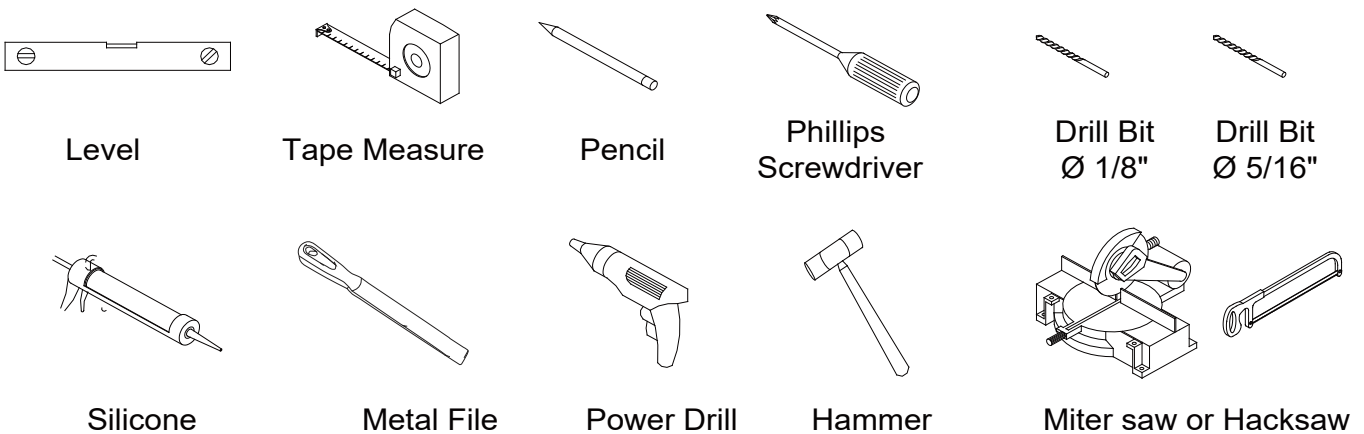


# EXPLODED VIEWS



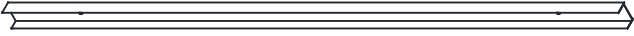















**REMOVE THE SOFT PROTECTIVE FILM FROM THE GLASS BEFORE INSTALLATION**

## TOOLS REQUIRED



OTHER TOOLS MAY BE REQUIRED

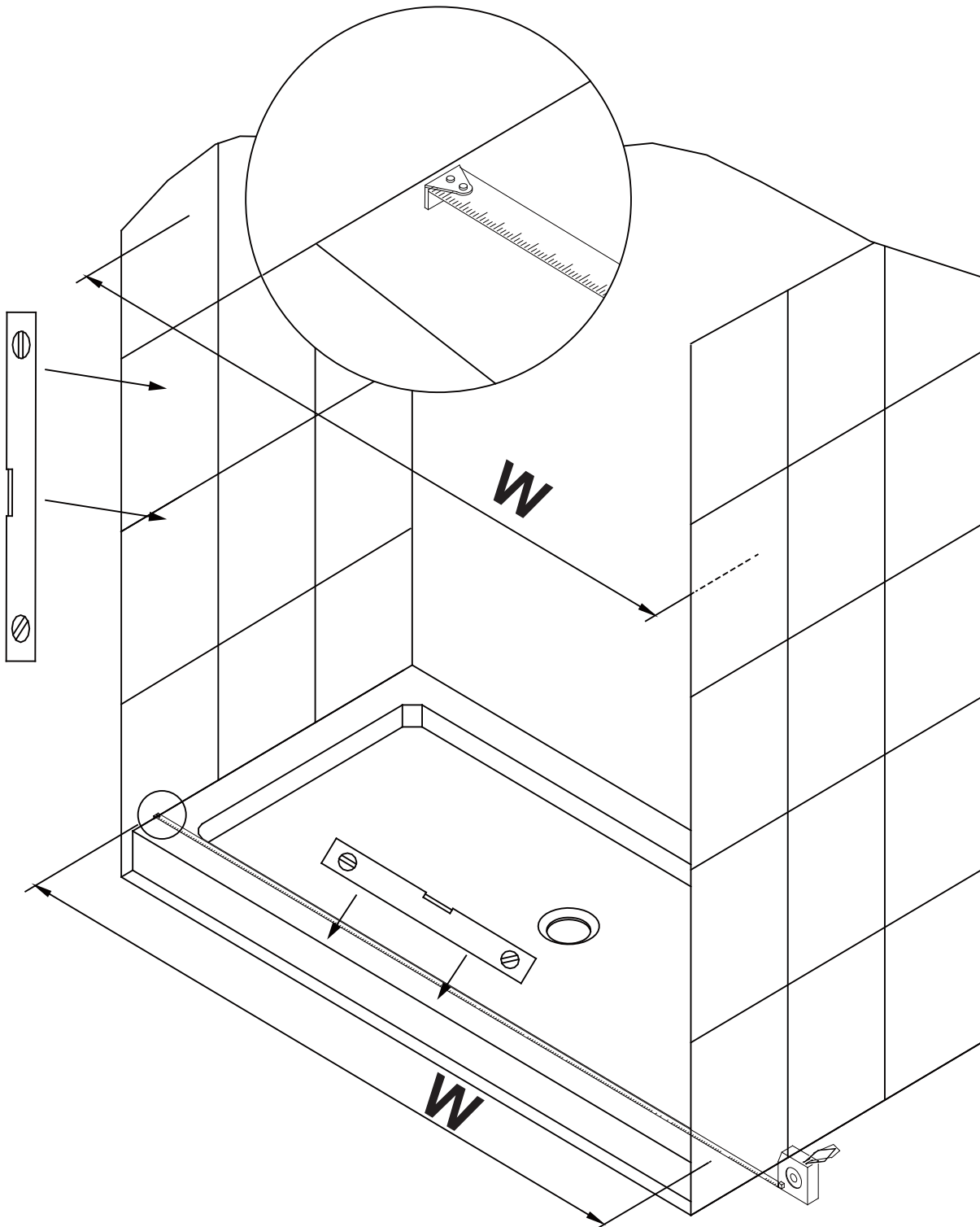
# PART LIST

Parts List				
<p>(L001)</p>  <p>Wall Profile</p> <p>2 PCS</p>		<p>(L002)</p>  <p>Upper Guide Rail</p> <p>1 PC</p>		
<p>(L003)</p>  <p>Bottom Guide Rail</p> <p>1 PC</p>		<p>(L004)</p>  <p>Door Glass</p> <p>2 PCS</p>		
<p>(L005)</p>  <p>Wall Profile Bumpers</p> <p>4 PCS</p>	<p>(L006)</p>  <p>Guide Block</p> <p>3 PCS</p>	<p>(L007)</p>  <p>Roller Connector</p> <p>4 PCS</p>	<p>(L008)</p>  <p>Handle</p> <p>2 PCS</p>	<p>(L009)</p>  <p>Anti-Water Strip</p> <p>1 PC</p>
Screw Set				
<p>(A)</p>  <p>Screw 4x12</p> <p>2 PCS</p>	<p>(B)</p>  <p>Screw 4x30</p> <p>4 PCS</p>	<p>(C)</p>  <p>Wall Anchor</p> <p>4 PCS</p>	<p>(D)</p>  <p>Drill Bit Ø 1/8"</p> <p>1 PC</p>	
Extra				
<p>(A)</p>  <p>Screw 4x12</p> <p>1 PC</p>	<p>(B)</p>  <p>Screw 4x30</p> <p>1 PC</p>	<p>(C)</p>  <p>Wall Anchor</p> <p>1 PC</p>		

## How To Assemble Shower Door

**REMOVE THE SOFT PROTECTIVE FILM FROM THE GLASS BEFORE INSTALLATION**

**STEP 1** Measure the finished opening width at the bottom and at the top. Measure and appropriate adjust the size of the upper rail (L002) and bottom rail (L003) according to the width measured above. Also check the threshold for level and the walls for plumb.

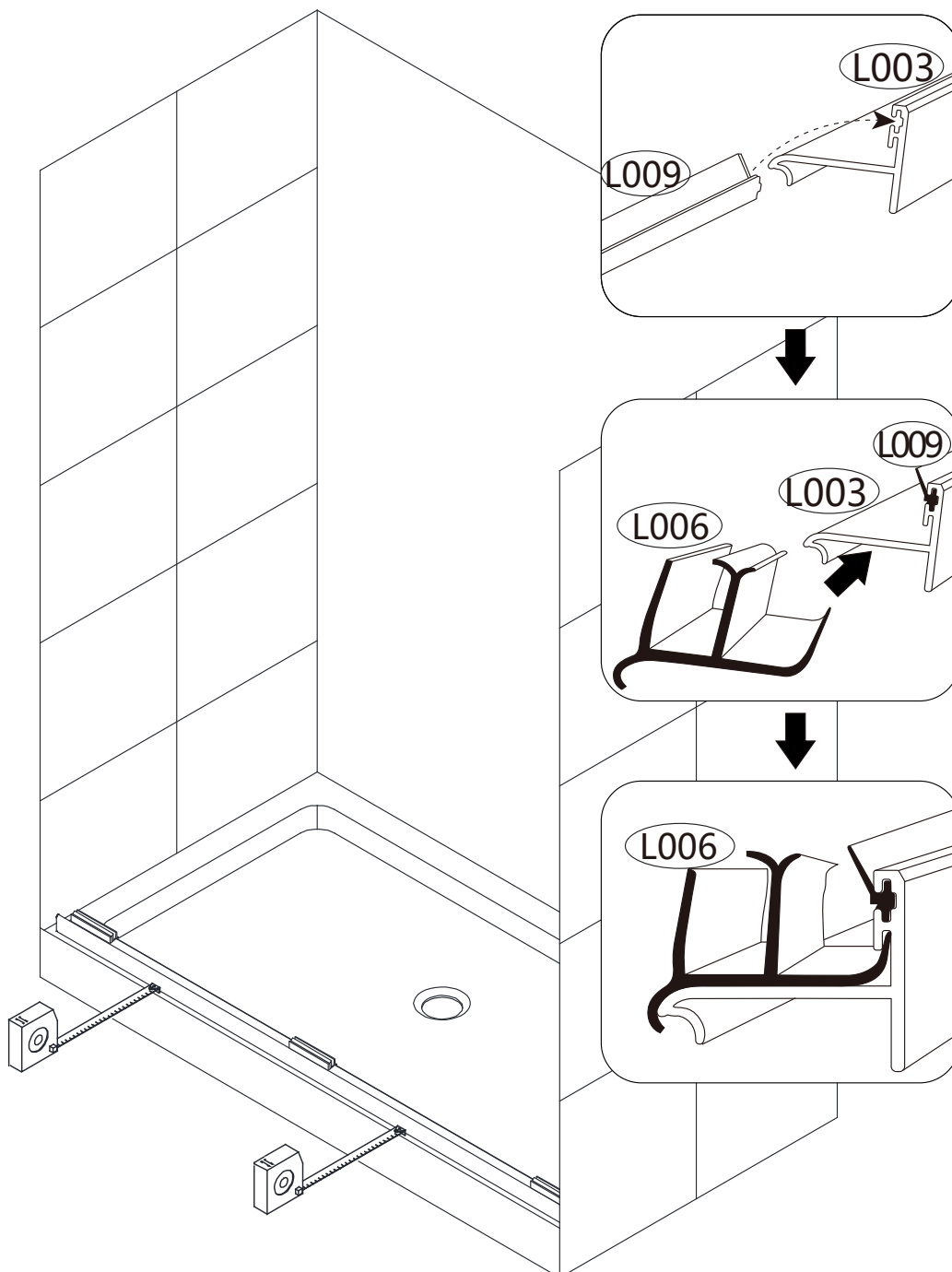


# Installation steps

## STEP 2

Place the Bottom Guide Rail (L003) onto the threshold in the desired position. Use a tape measure to align it evenly with the front edge of the threshold and mark its position on the threshold.

As shown in the diagram on the right, insert the Anti-Water strips (L009) into the groove of the bottom guide rail (L003), with the water-blocking edge facing upwards. Place 3pcs Guide Blocks (L006) on both sides and in the middle of the bottom guide rail (L003), and insert the upturned side into the lower groove of the bottom guide rail (L003). Apply silicone to the bottom surface of the bottom guide rail (L003) and place it back into the marked position on the threshold.



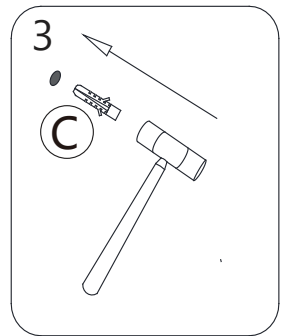
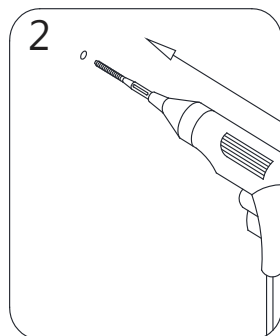
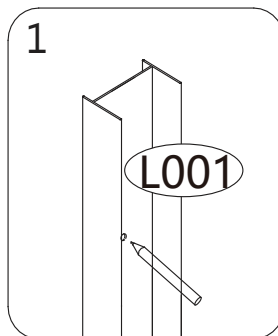
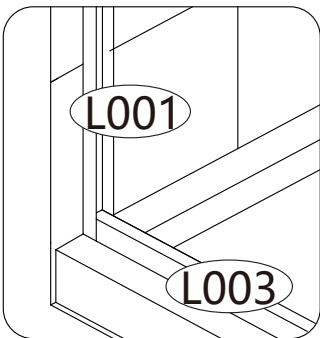
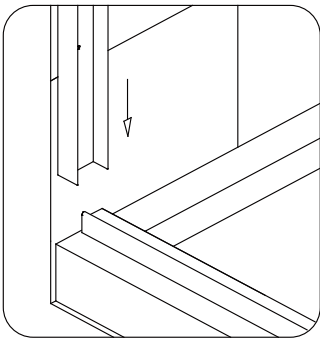
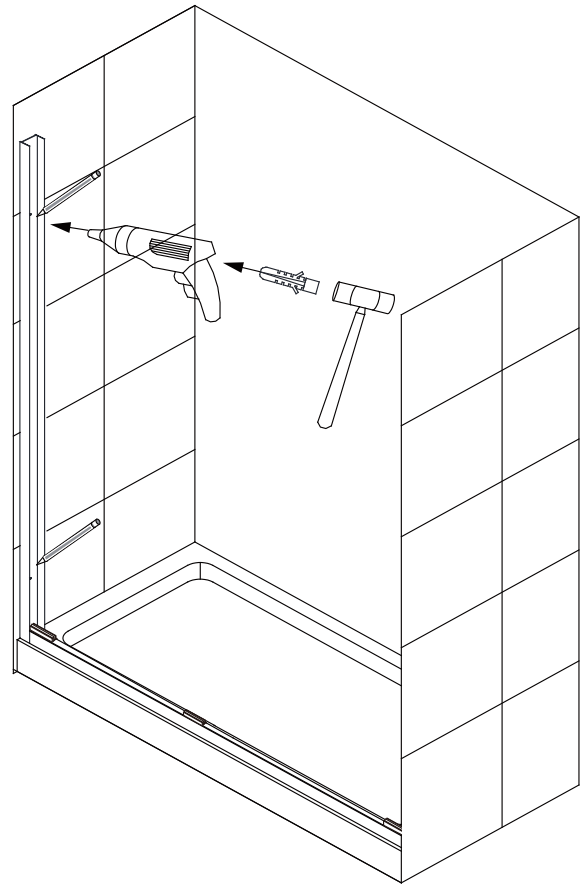
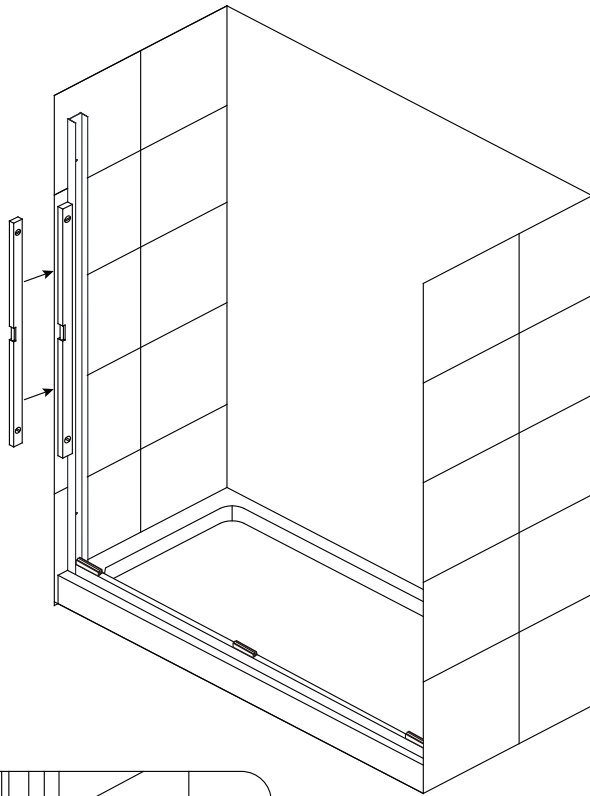
# Installation steps

## STEP 3

Place the left and right Wall profiles (L001) and wall horizontally, stand on both ends of the Bottom Guide Rail (L003) and mark the position of the 4 fixed holes on the left and right Wall profiles (L001).

Remove the wall profile and drill holes and insert the Wall anchors (C).

This step uses an  $\text{Ø } 5/16''$  drill bit to drill holes in the wall.

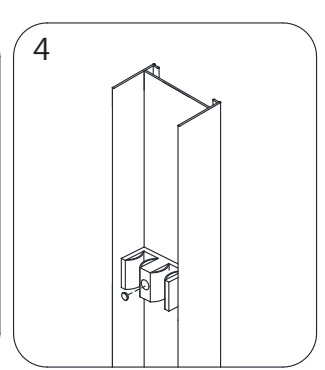
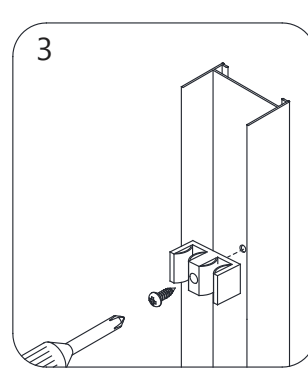
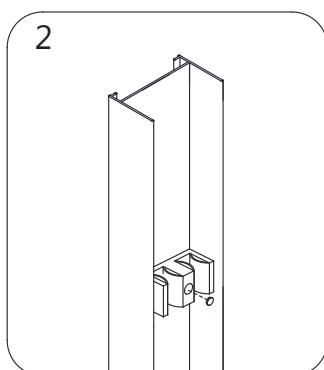
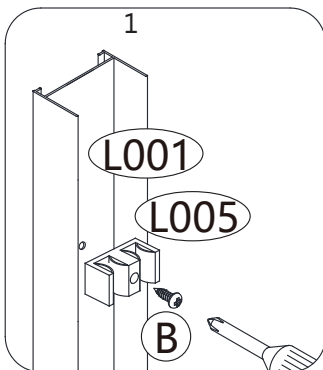
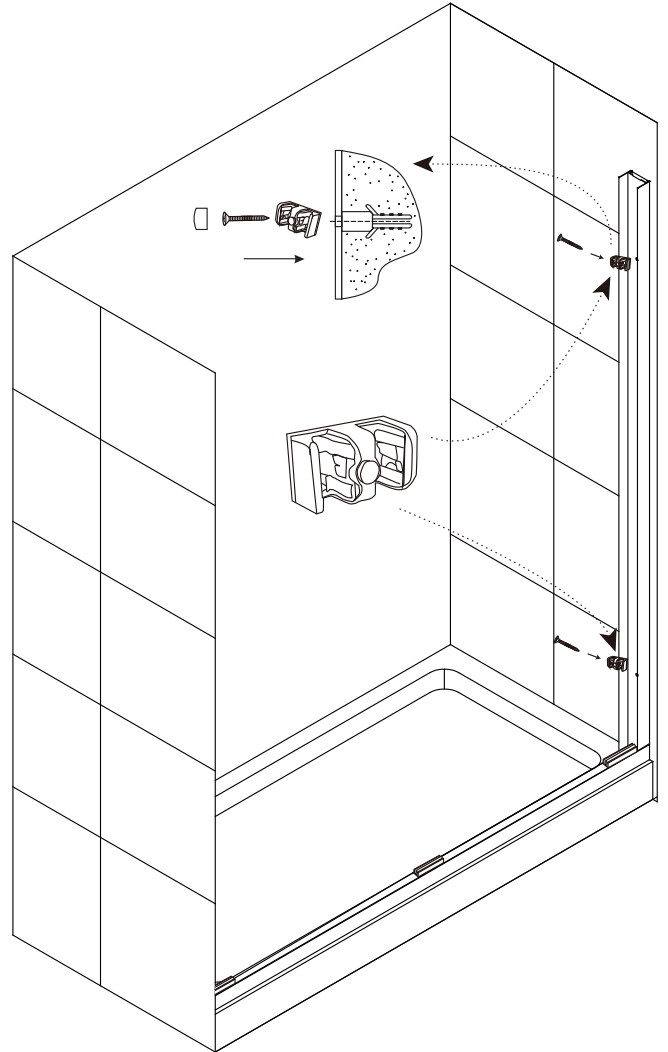
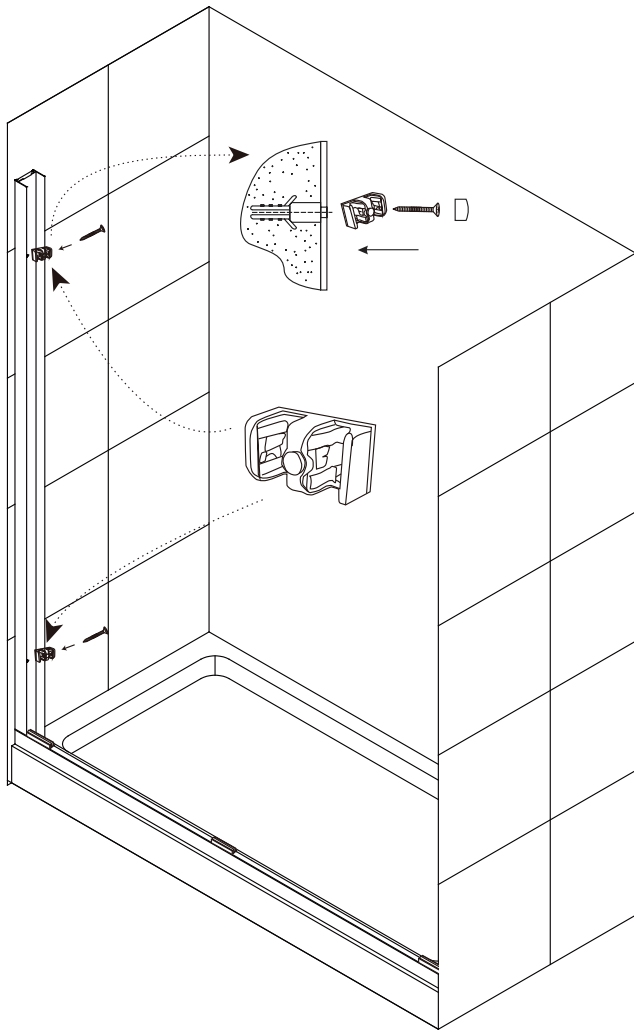


# Installation steps

## STEP 4

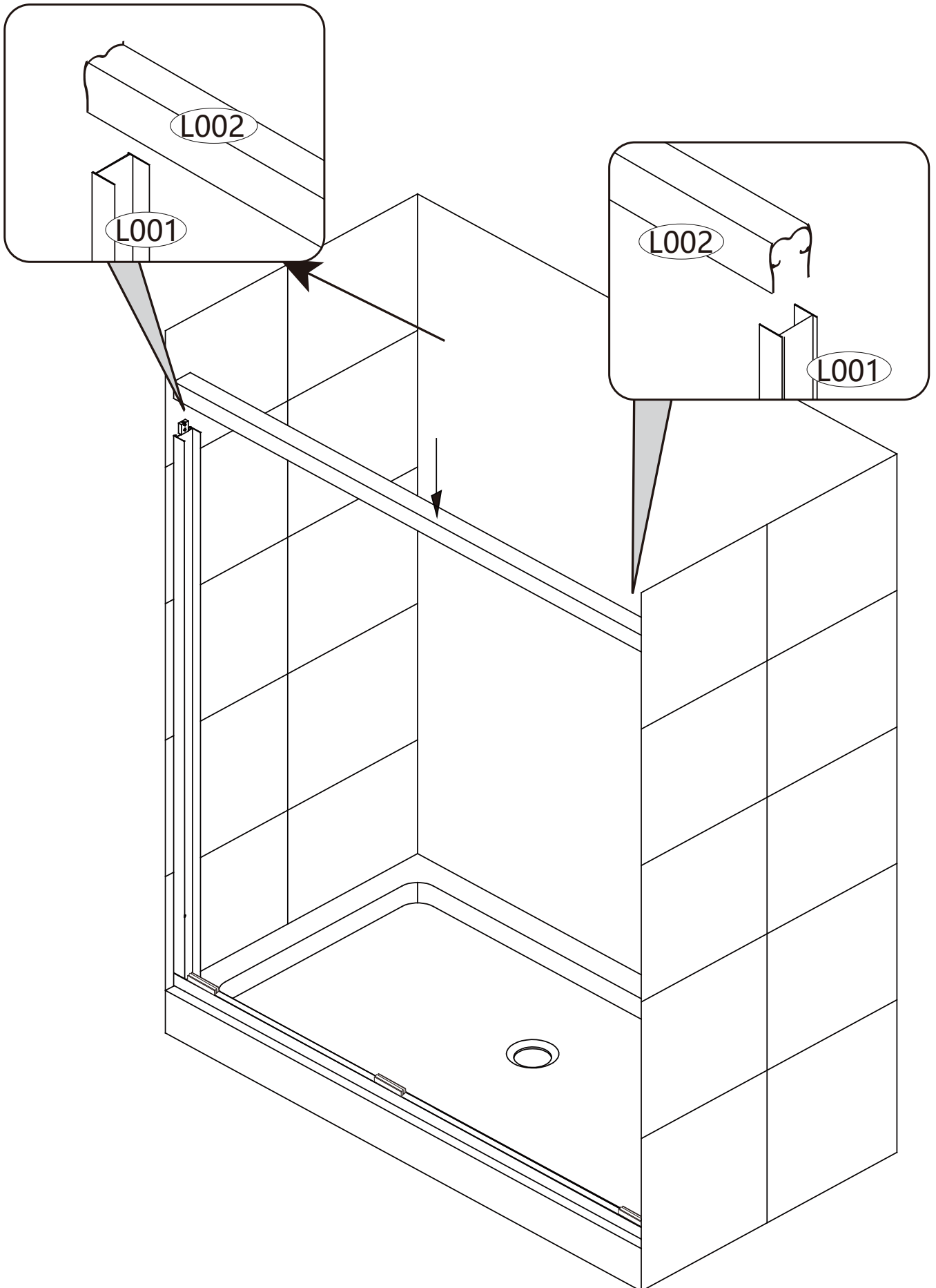
After placing the Wall anchors (C), place back the two side Wall Profile (L001) on the ends of the Bottom Guide Rail (L003) against the wall.

Replace the cross drill bit of the electric drill, match the holes on Wall Profile Bumpers (L005) with the four holes on the wall in the previous step, use screws 4 x 30 (B) to fix Wall Profile Bumpers (L005) for each hole, and cover the holes with the decorative caps.



# Installation steps

**STEP 5** Put the Upper Guide Rail(L002) on top of the two side frames.

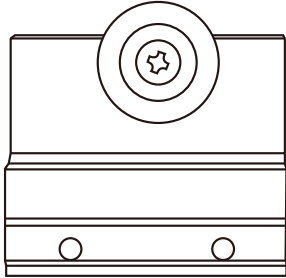


# Installation steps

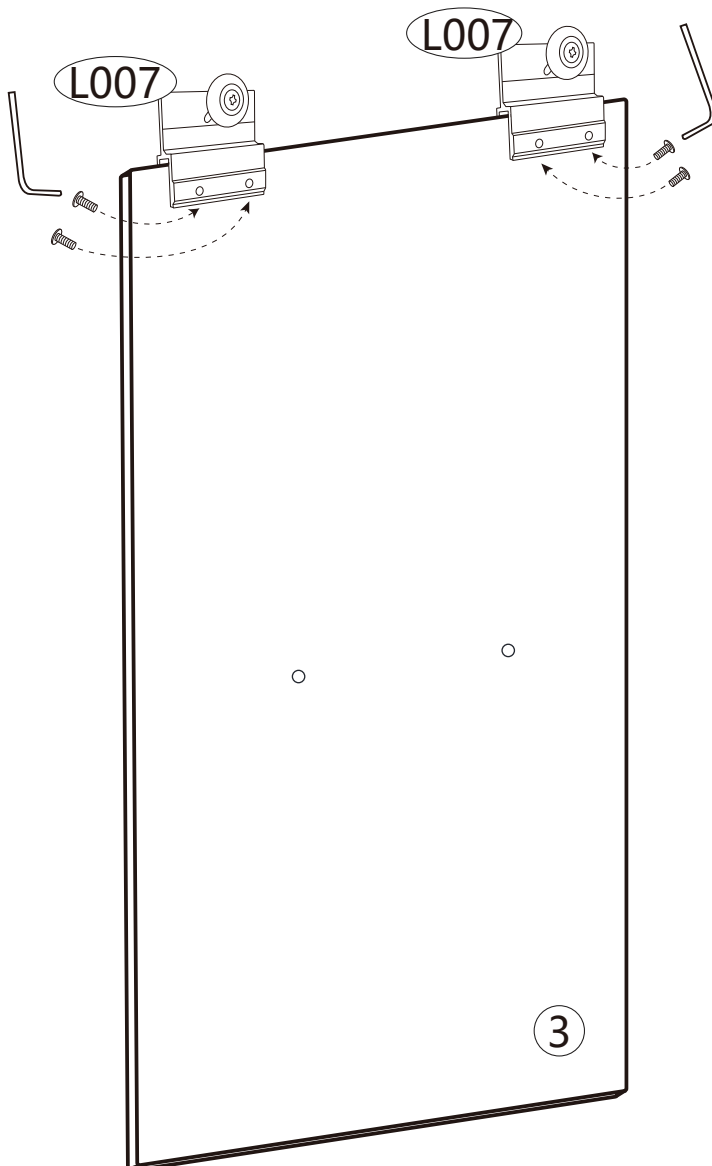
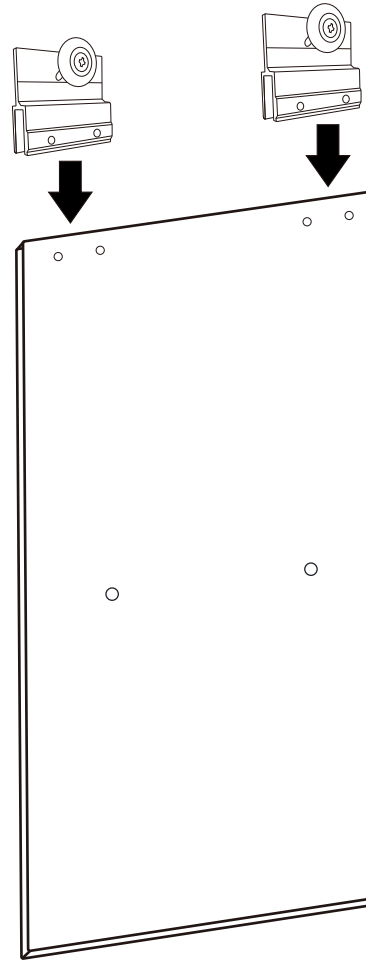
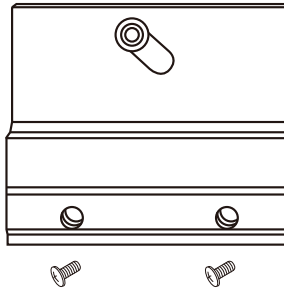
## STEP 6

Have someone else lift up a piece of Door Glass(L004), remove the two screws from Roller Connector(L007), line up the two holes in Roller Connector(L007) with the holes in the top of Door Glass(L004), and install the two screws back in to hold Door Glass(L004) and Roller Connector(L007) in place. The other Door Glass is also installed in the same way.

FRONT



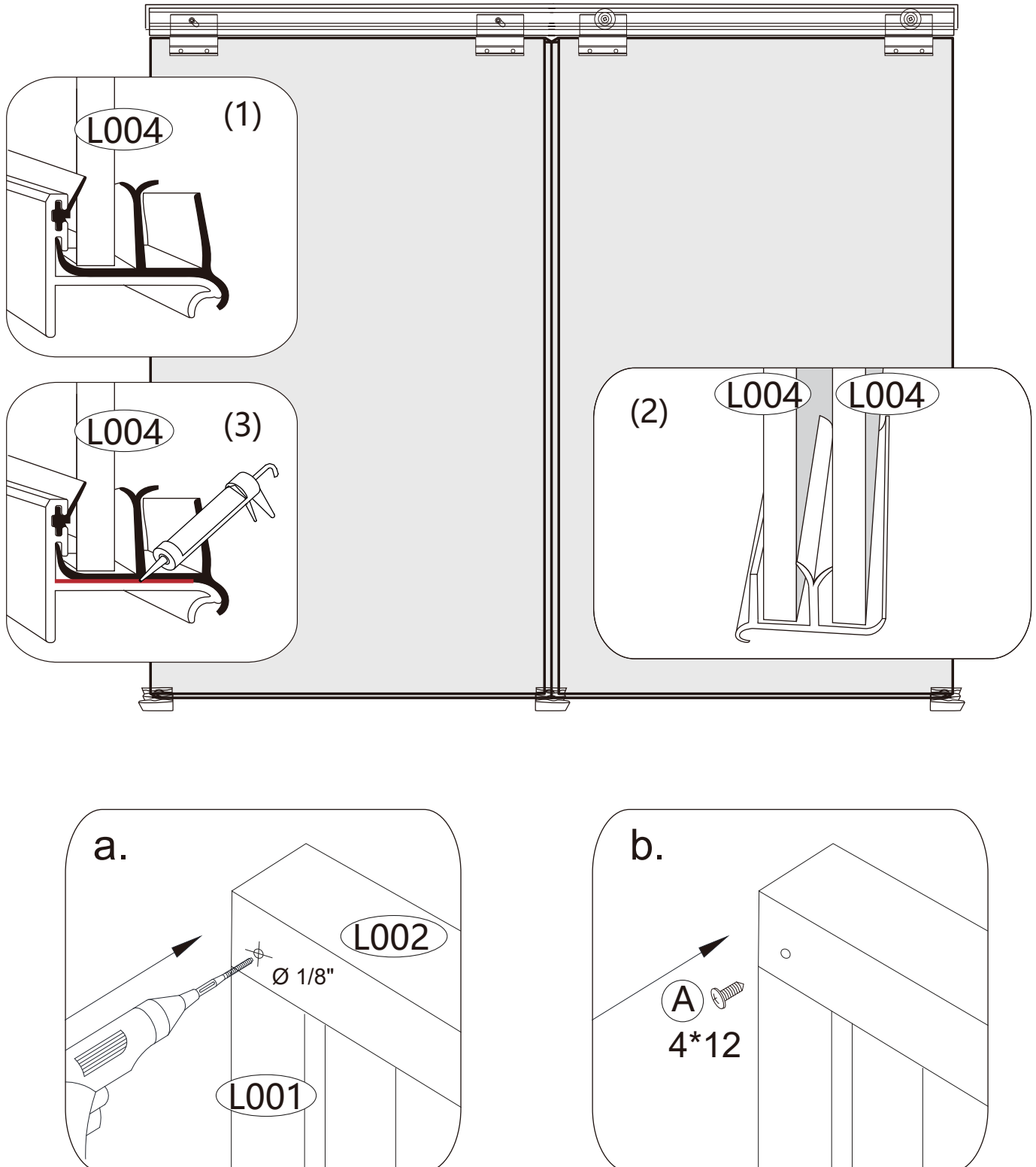
BACK



# Installation steps

Lift up the Door Glass(L004) with Roller Connector(L007) on it, put the wheels on Roller Connector(L007) into the Door Glass(L004) track, and put the bottom of the glass into Guide Block(L006) as shown in Figure (2).  
**Note: Install the inner piece of glass first, as shown in Figure (1).**

**STEP 7** After install the glass, use Screw 4x12 (A) at both ends of the Upper Guide Rail (L002) to lock the side Wall Profile (L001) and the Upper Guide Rail (L002). This step uses a  $\varnothing 1/8"$  drill bit (D) to drill holes in the overlapping portion of the Wall Profile (L001) and the side of the Upper Guide Rail (L002). As shown in figure a b above.



# Installation steps

## STEP 8

Disassemble the Handle(L008) as shown in the figure, make sure there is a rubber sheet (protective glass) between the glass on both sides and Handle(L008), then Install the Handle(L008) on the glass corresponding to the two holes on the glass.

(Note: The accessories that need to be installed on the Handle(L008) are already on the handle, and they need to be unscrewed and installed as shown in the figure.)

## STEP 9

Apply good quality mildew-resistant silicone to the entire interior perimeter where the wall profile meets the wall and along the threshold.

Allow 24 hours for the silicone to fully cure before using the shower.

