











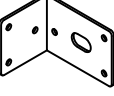
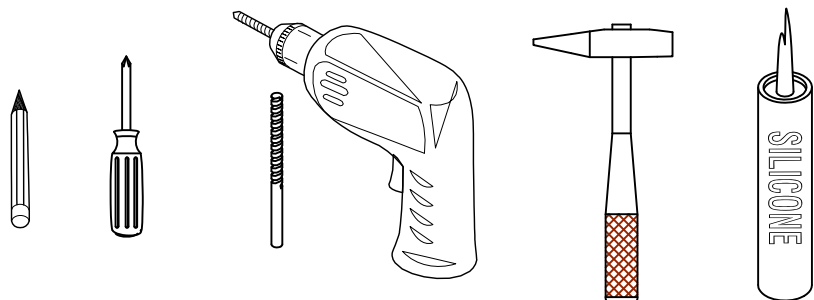


Item NO.:BV B03548

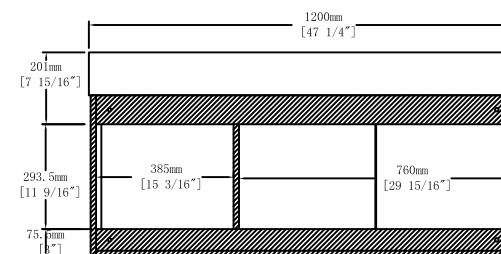
Hardware

NO.	Draw	QTY	NO.	Draw	QTY
A	 Screws Ø4x14mm	56	H	 Bracket (19x19x35mm)	2
B	 Two-in-one connector	23	I	 Hinges (Internal hiding)	4
C	 Two-in-one connector	23	J	 Hinges (Half cover)	2
D	 Wood plug	5	K	 Screws Ø4x25mm	1
E	 Plastic anchor(Ø10mm)	4	L	 Anti-collision gasket	6
F	 Screws for fix on the wall	4	M	 Screwdriver	1
G	 Bracket (53x70x44mm)	2			

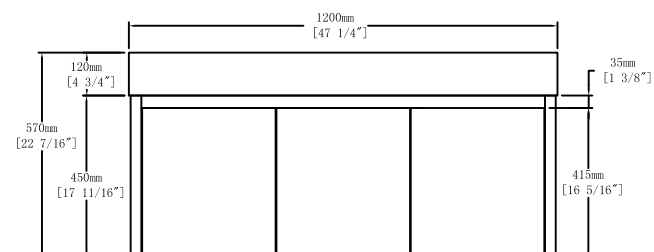
Recommended tools



Dimensions



Back View

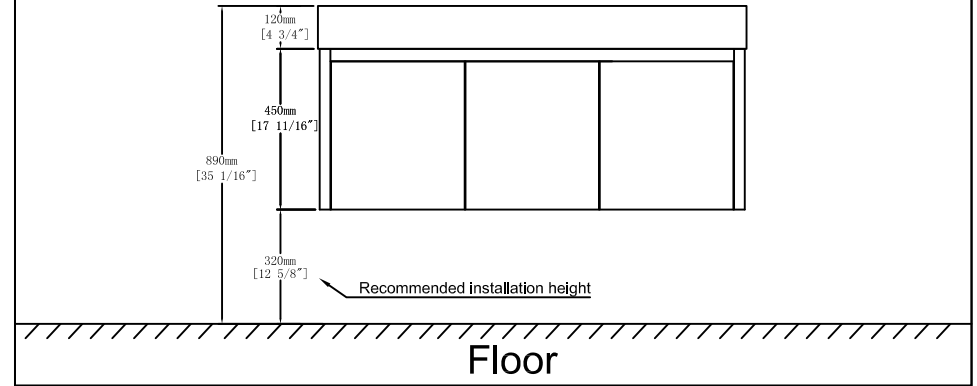


Front View

CARE CLEANING AND MAINTENANCE

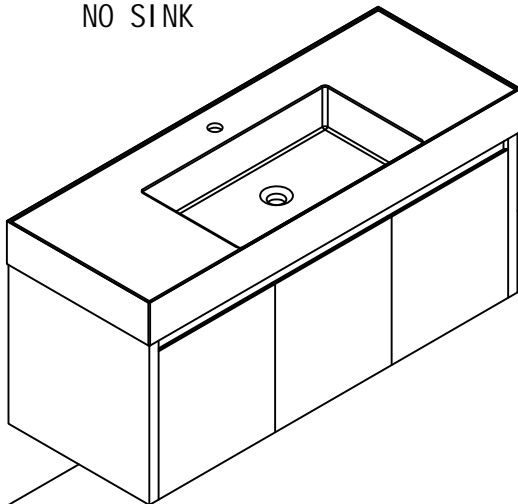
1. Dust regularly with a soft , dry cloth.
2. Avoid the use of all chemicals household cleaners, abrasives, or cleaners that contain lemon, vinegar, or other acids that may damage the finish.
3. Excessive exposure to sunlight and extreme changes in temperature and moisture can damage wood furniture.
4. The sink top is resilient, but care needs to be taken to preserve its appearance.
5. Do not place hot appliances, such as curling irons and hot hair dryers directly on the countertop. Wipe spills immediately.

Dimensions

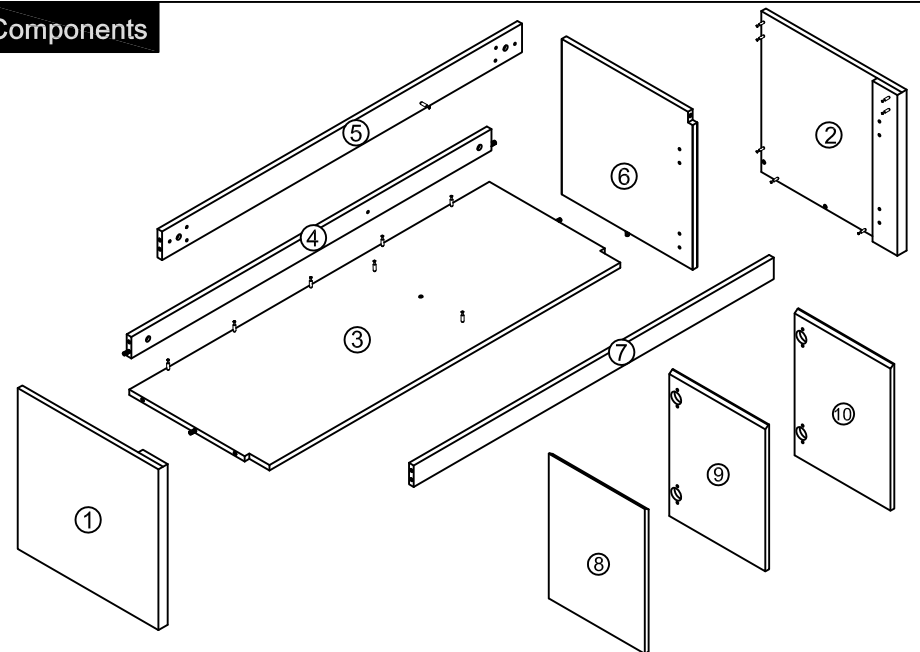


Finished

NO SINK



Components



Step 1

	x5
B	
	x5
C	
	x1
M	

Attention: Cam lock arrow point to the steel rod.

Notes: Screw installation depth as shown

Step 2

Note: The D parts are used for this hole.

	x2
Tool	B
	x2
C	
	x1
D	(Ø4 x 25mm)
	x1
K	
	x1
M	

Notes: Screw installation depth as shown

first step second step third step

Step 11

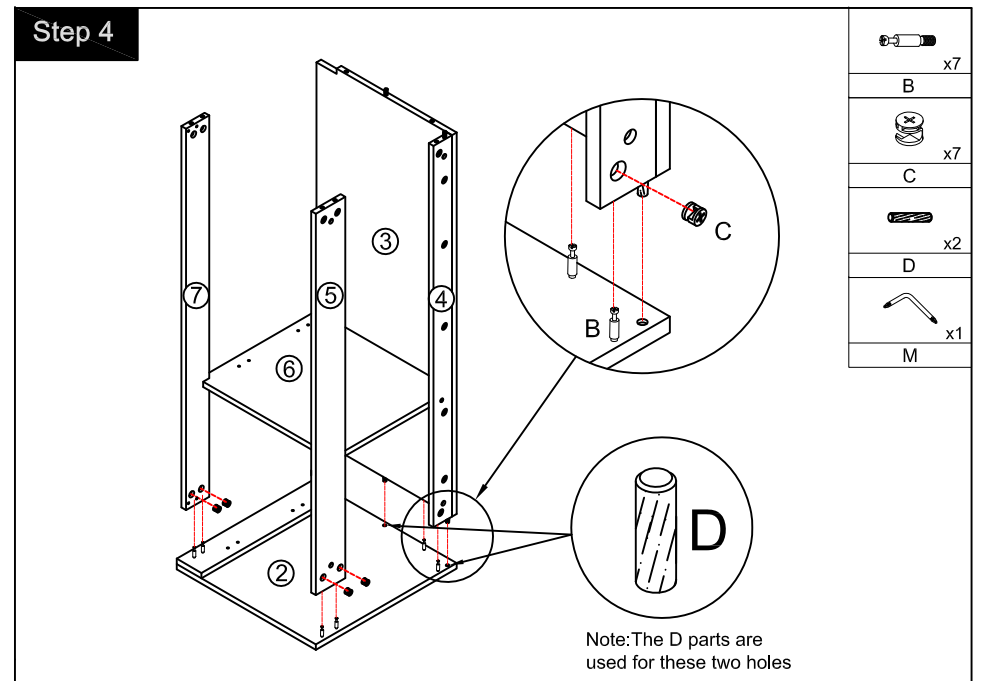
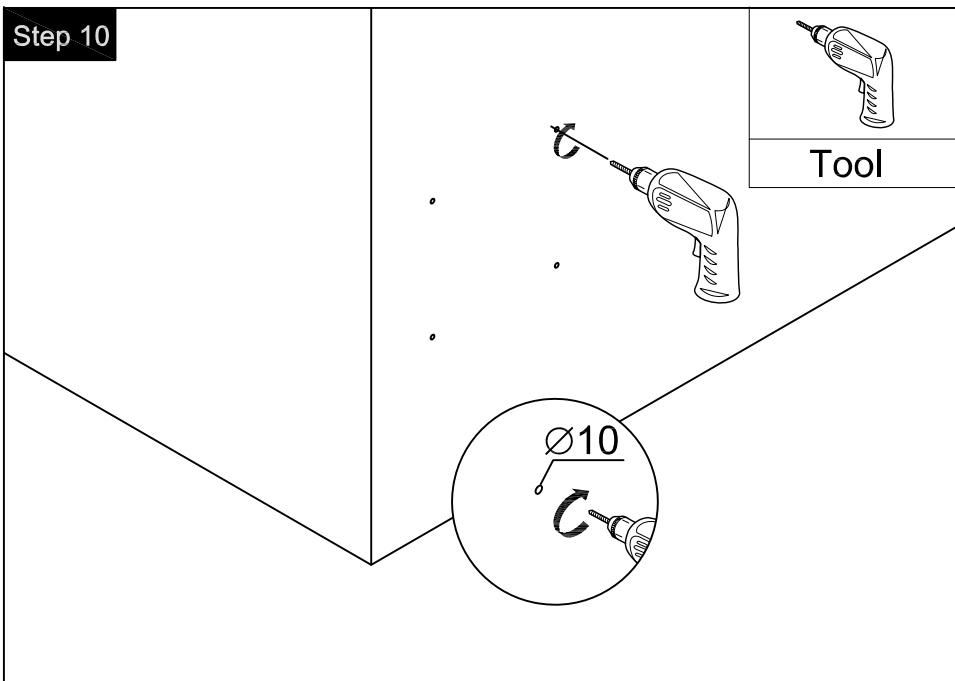
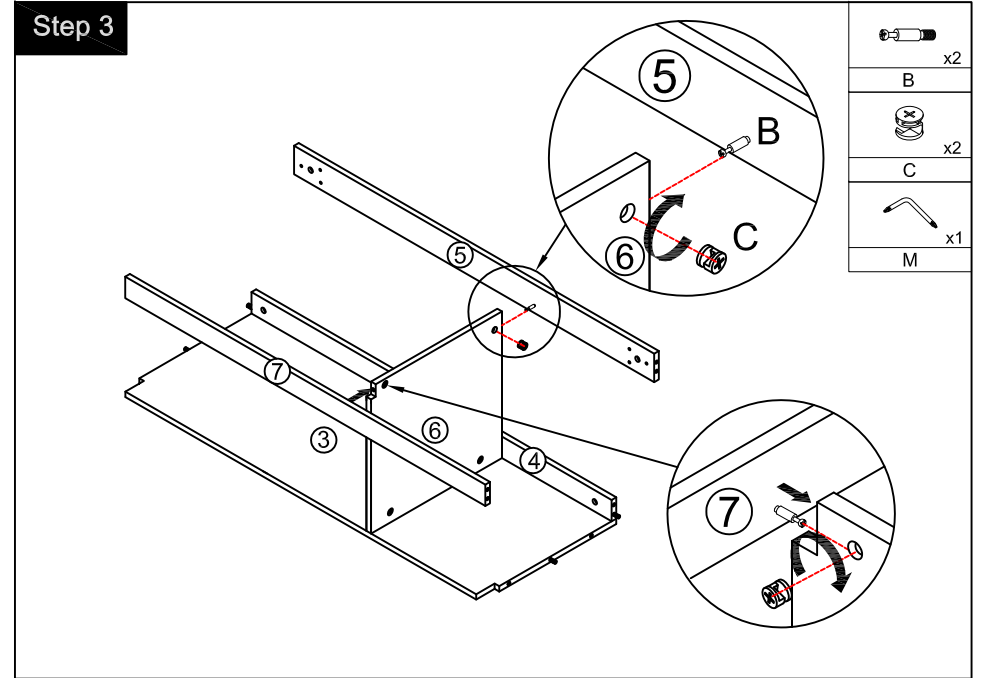
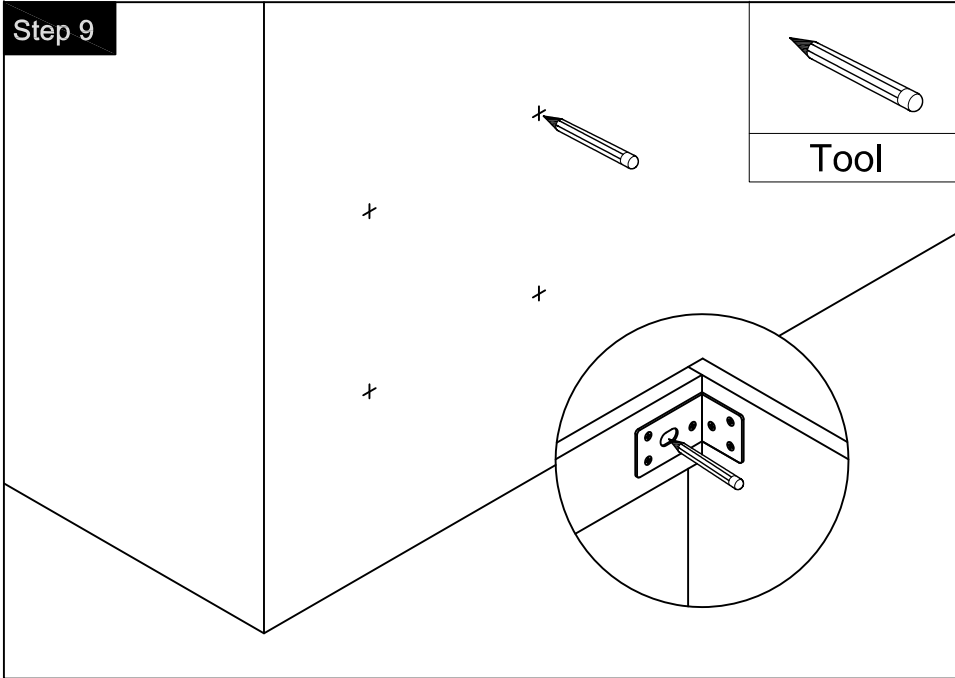
	x4
E	
	x1
Tool	

Attention: Cam lock arrow point to the steel rod.

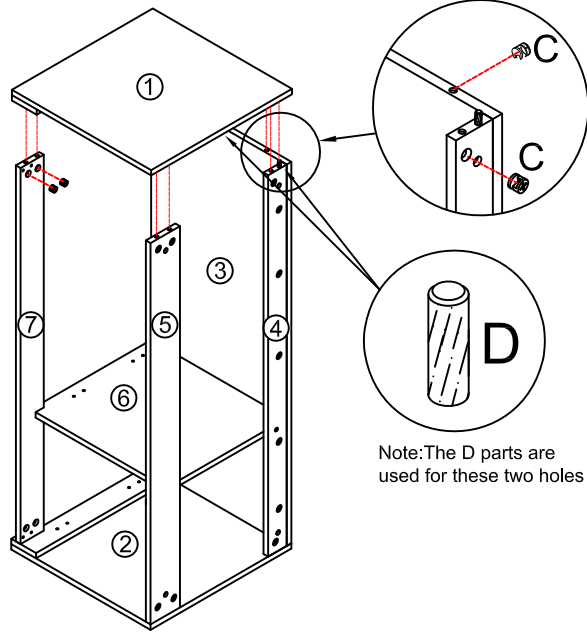
Step 12

	x4
F	
	x1
Tool	

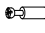

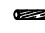

Attention: Cam lock arrow point to the steel rod.



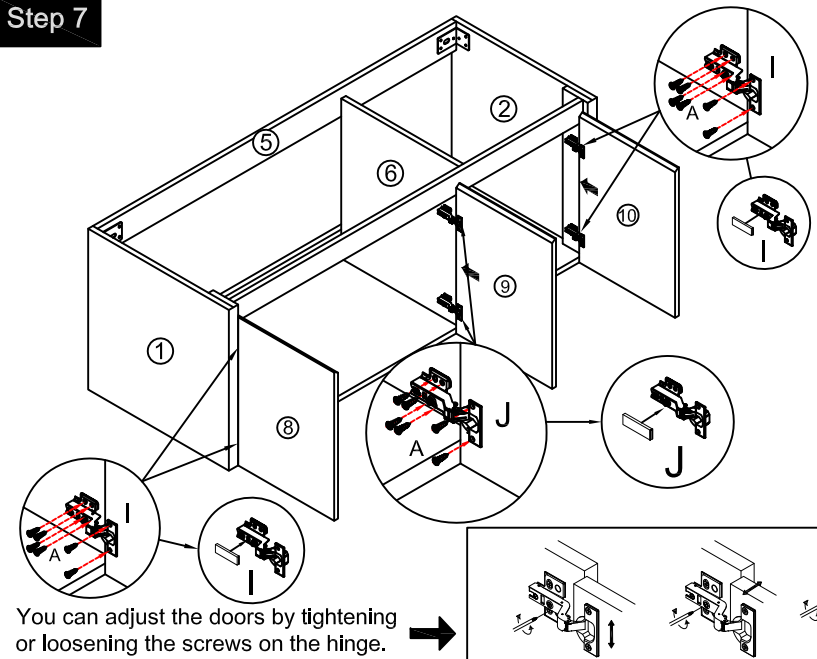
Step 5







Note: The D parts are used for these two holes

	x7
B	
	x7
C	
	x2
D	
	x1
M	

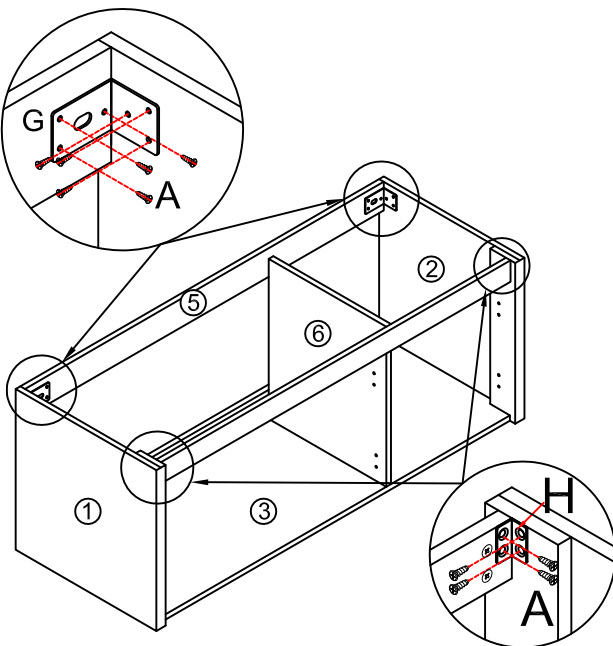
Step 7







You can adjust the doors by tightening or loosening the screws on the hinge. →

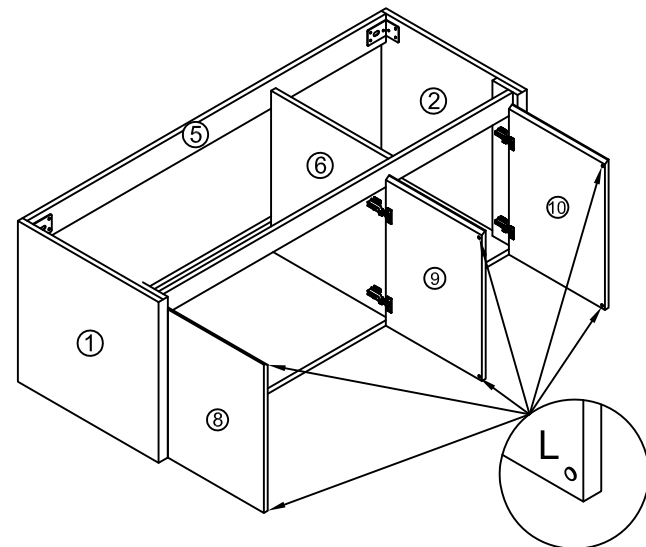
	x4
I	
	x2
J	
($\varnothing 4 \times 14\text{mm}$)	
	x36
A	
	
Tool	


Step 6



	x2
G	
	x2
H	
($\varnothing 4 \times 14\text{mm}$)	
	x20
A	
	
Tool	

Step 8



	x6
L	