






VEVOR

Upgrade · The Home Creator Way

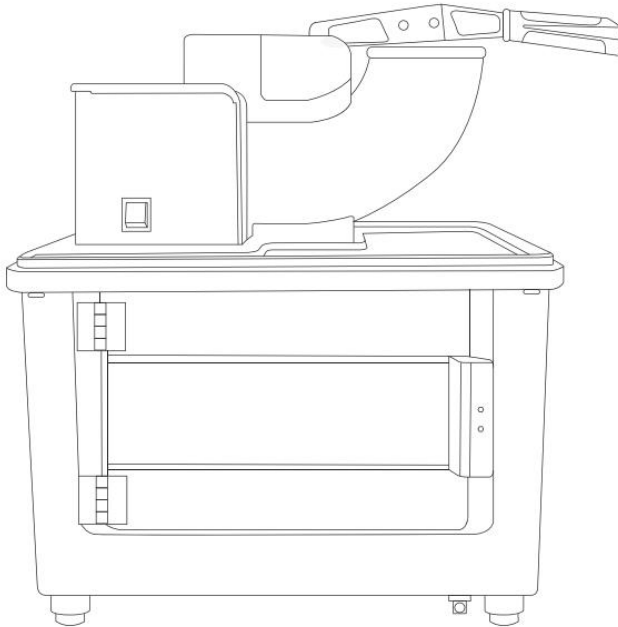
OUTDOOR REFRIGERATOR

MODEL:WF-A108P



VEVOR Support Center

1	WF-A108P (WHITE)		2	WF-A108P (RED)	
3	WF-A108P (BLACK)		4	WF-A108P (BLUE)	
5	WF-A108P (SILVER)				

MODEL:WF-A108P



This is the original instruction, please read all manual instructions carefully before operating. VEVOR reserves a clear interpretation of our user manual. The appearance of the product shall be subject to the product you received. Please forgive us that we won't inform you again if there are any technology or software updates on our product.

	<p>Warning-To reduce the risk of injury, user must read instructions manual carefully.</p>
	<p style="text-align: center;">CORRECT DISPOSAL</p> <p>This product is subject to the provision of European Directive 2012/19/EC. The symbol showing a wheeled bin crossed through indicates that the product requires separate refuse collection in the European Union. This applies to the product and all accessories marked with this symbol. Products marked as such may not be discarded with normal domestic waste, but must be taken to a collection point for recycling electrical and electronic devices</p>

IMPORTANT SAFETYINSTRUCTIONS

When using electrical appliances, basic safety precautions should be followed to reduce the risk of fire, electric shock and injury to persons or property. Read all instructions before operating the machine for the first time.

Install the machine correctly before using

Keep the ice crusher and power cable away from heat sources and hot surfaces.

To avoid electrical shock, do not place the cord, plug or ice crusher in water or other liquids.

We do not recommend the use of an extension cord, as it may overheat and become a risk of fire.

Do not operate appliance with wet hands or operate in a wet working environment.

Always protect the power cable from undue flexing and wearing -do not

allow the cable to hang off edge of the counter or table.

If the supply cord is damaged, do not use the product. Contact customer service for repair or replacement.

This appliance is not intended for use by persons (including children) with reduced physical, sensory or mental capabilities, or lack of experience or knowledge, unless they have been given supervision or instruction concerning use of the appliance by a person responsible for their safety. Children should be supervised to ensure that they do not play with the appliance.

Do not move the ice crusher while it is switched on.

Do not leave your Professional Blender unattended when power is connected.

Unplug the ice crusher before cleaning or making any repairs or servicing.

NOTE: strongly recommend to repair the machine by professional technician.

It's forbidden to pull the cable to unplug the plug, pull the plug is a must.

The ice crusher is commercial machine which is intended to be used in staff kitchen areas in shops, offices and other working environments.

Warning: Don't use your ice crusher outdoors. Avoid direct sunlight and make sure that there is at least 15cm of space between the back and sides of your unit and the wall.

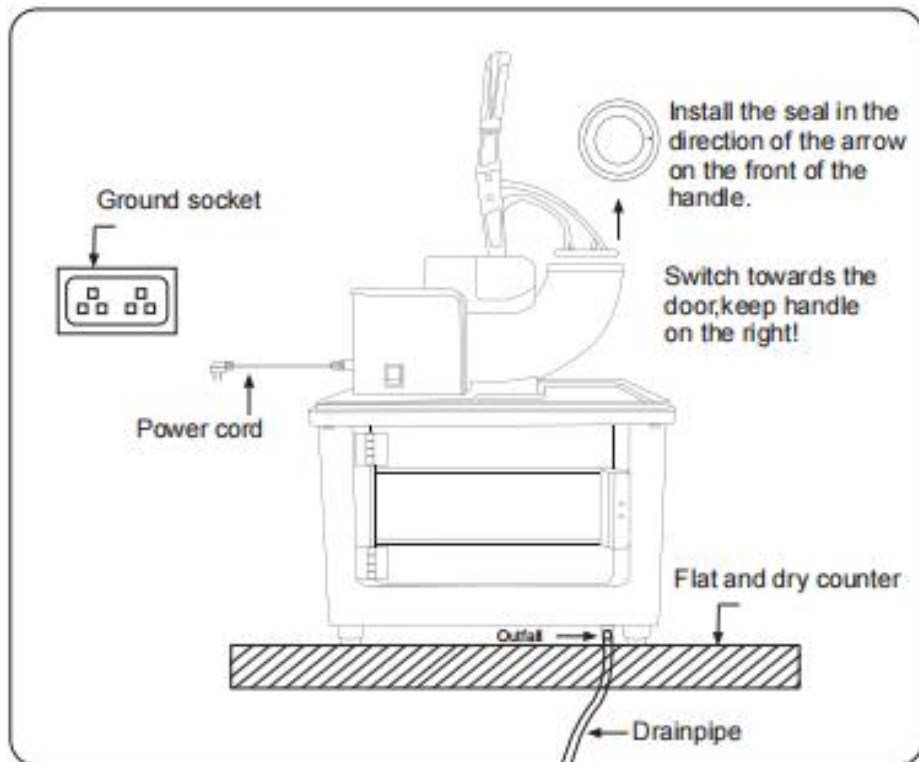
Do not tip the machine over.

The blade must be replaced by original blade.

The manufacturing will not be responsible for injury that occurs as result of failure to follow these precautions.

Installation

Install the ice crusher like as below:



NOTE: The ice crusher must be installed by a technician.

Unpack the machine

Remove all exterior and interior packaging materials. Check that the ice box, disassembled handle and instruction manual are included. If any parts are missing, please contact our customer service.

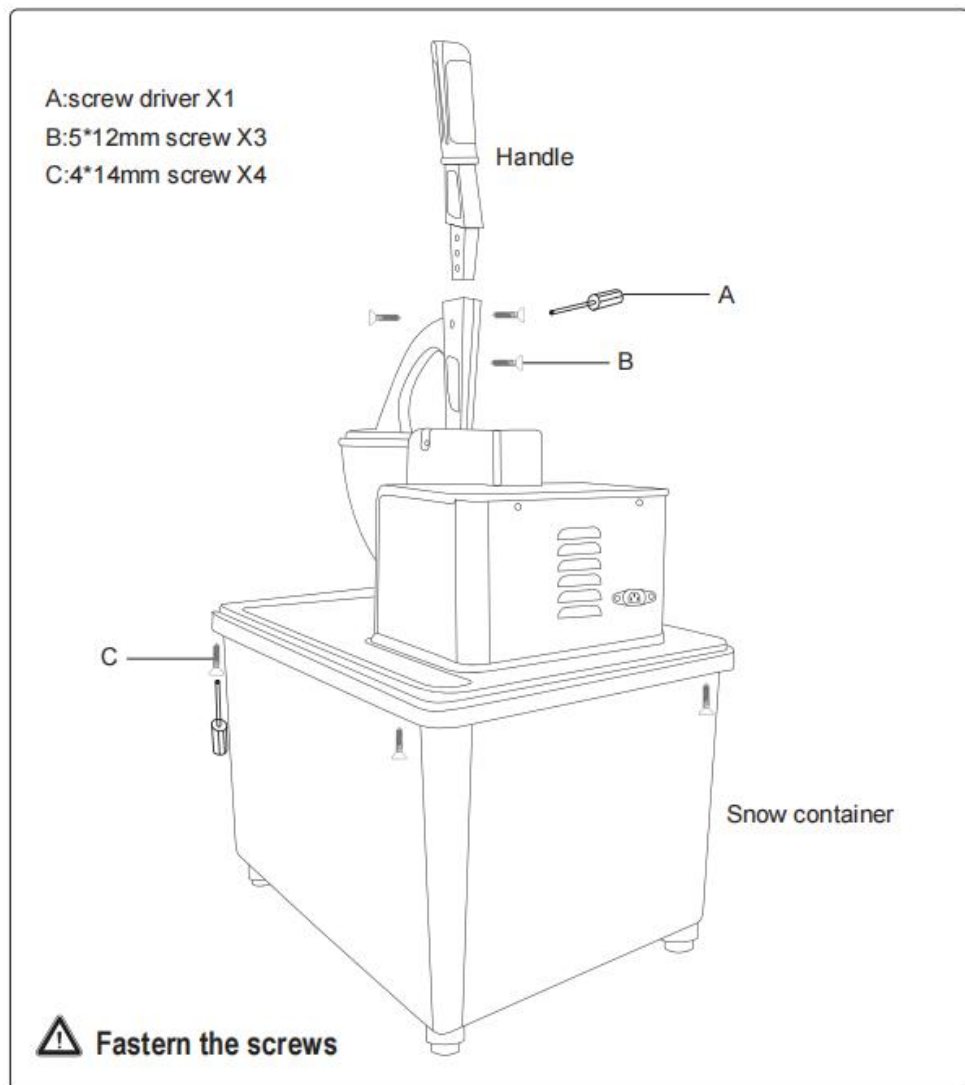
Warning: Keep the disabled and children away from the foam and other package materials, which is dangerous.

Find a location for your ice crusher where it's protected from direct sunlight and other sources of heat (i.e. stove, furnace, radiator). Place the ice crusher on a level surface. Make sure that there is at least 15cm of space

between the back and sides of your ice crusher and the wall. Don't place anything on your ice crusher.

The appliance must be positioned where the plug is accessible.

Handle /Snow container



Additional important safeguards

Don't pour water directly in the ice chute to clean which will damage the motor. Unplug the ice crusher before cleaning.

Use the appliance must follow basic guidelines.

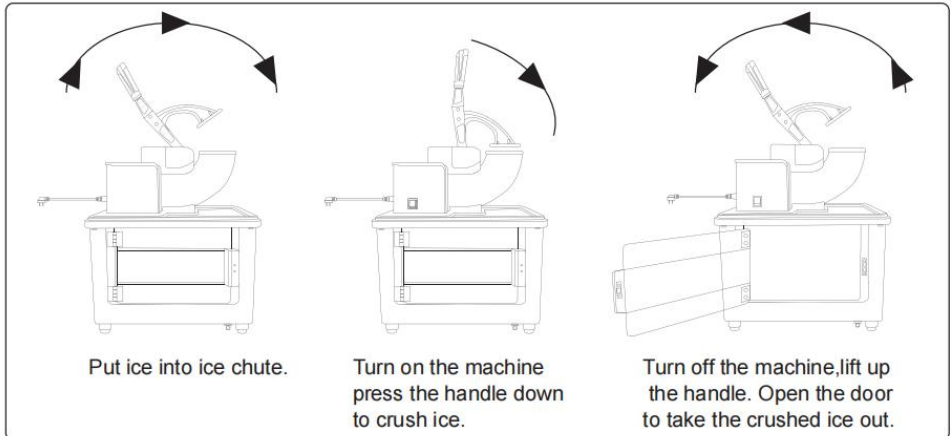
High humidity environment will increase the risk of short circuit or electric shock. If in doubt, cut off the power if short.

Please do not directly pull down the power cord to turn off the machine, turn off the machine by the switch.

The ice crusher is not a toy, keep away from children age under 18.

Operation

The ice crusher is only used to crush ice ,can't be used for other purpose. Operate the machine follow the steps as below.



Turn switches to the off position, unplug the power cord, wipe off the water on the power cord and gather the power cord up;

Wipe the surface of the machine and the outer surface of the hopper, and open the handle upwards, which is conducive to the internal moisture

distribution;

Keep the machine in a safe place and keep it out of reach of children and disabilities.

Cleaning and maintenance

Cleaning of internal and external parts

Note: Unplug the power plug before performing any cleaning or maintenance procedures.

Do not use alcohol to clean the ice crusher, as this may cause plastic parts to crack.

exterior

Use a clean, soft cloth to wipe the outside of the ice machine often , and then use a wet cloth moistened with a neutral detergent to remove grease or other impurities.

Ice box cleaning (after each use)

Immerse the ice box in a mixture of neutral detergent and water for at least 3 minutes then rinse with water and dry.

Ice chute (after each use)

Open the handle, leave it to dry naturally, and then close it after drying.



There is a sharp blade inside ,don't put your hand inside operate with care.

Common trouble shooting

Issues	Check items	Possible causes	solutions
Don't work	Power cord	Din't plug in or damaged	Plug in or replace the power cord
	Socket	Socket is out of shape	Change another socket
	Motor	Motor burnt	Replace the motor
	Power supply	Power switch damaged	Replace the switch
		Low voltage or no power	Contact power supply department
Microswitch	Micro switch damaged	Replace the micro switch	

Appliance specification:

120v 60Hz 350W

The product is for use in 120 Ac outlet only

Warning: Returns and warranty

SHOULD YOUR UNIT NOT WORK OR IF DAMAGED WHEN YOU FIRST TAKE

IT OUT OF THE BOX, PLEASE RETURN IT TO THE PLACE OF PURCHASE IMMEDIATELY

Do not rotate without ice.

Rotate for 30 minutes each time, rest for 15 minutes

Sharp blades! Do not place your hands in or near the ice chute.

Do not touch the motor cover and hot.

Manufacturer: Yongkang Tiange Electric Co., Ltd.

Address: NO.101, XITA FOUR ROAD, XICHENGSTREET, YONGKANG
JINHUA, ZHEJIANG, CHINA

E-mail: support@vevor.com

