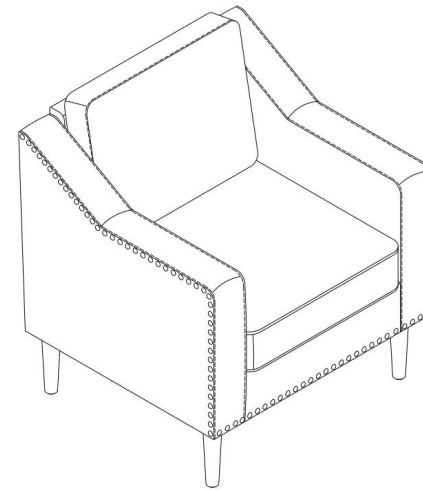


WARRANTY

We strive to offer high-quality products, and we also try our best to satisfy each and every customer that orders from us with product or service as needed. We provide 30 days warranty starting from the time you receive the item. Each customer must provide a record of their order such as the order number, or item receipt for any items that are out of the warranty period you may also still receive replacement parts by purchasing them with our company if they are available.



NOTE:

This brochure contains IMPORTANT safety info. Please read and keep for future reference.

MAINTAINANCE AND WARNING

- Keep furniture away from heat.
- Do not clean furniture with harsh cleansers or polish. Do not use detergents, Solvents, abrasives, spray packs or leather cleaner. Use non-color mild soap with warm water clean spills(Mix 1:10 soap to water)
- Do not place furniture under direct sunlight, material will possibly fade over time.
- Do not use on site dry Cleaning machine.
- Children should not climb or jump on the furniture.
- Do not write on furniture without a padded barrier to protect the surface.
- Not for commercial use, For residential use only.

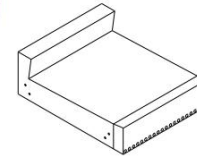


Weight Limitation

250LBS

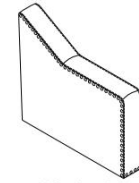
PARTS LIST

A*1



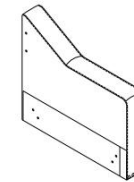
Seat Frame

B*1



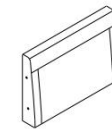
Right Arm

C*1



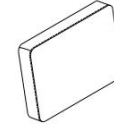
Left Arm

D*1



Back

E*1



Back Cushion

F*1



Seat Cushion

G*4



Legs

Persons Required For Assembly:



HARDWARE LIST

①*12
M6*65mm



Bolt

②*8
M8*18mm



Bolt

③*12
M8*28mm



Flat washer

④*1
M6



Allen Key

SPARE

①*1
M6*65mm



Bolt

②*1
M8*18mm



Bolt

③*1
M8*28mm

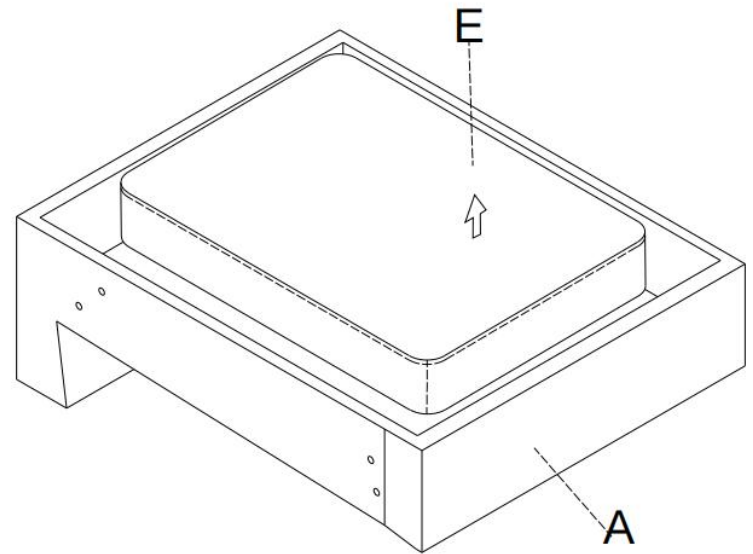


Flat washer

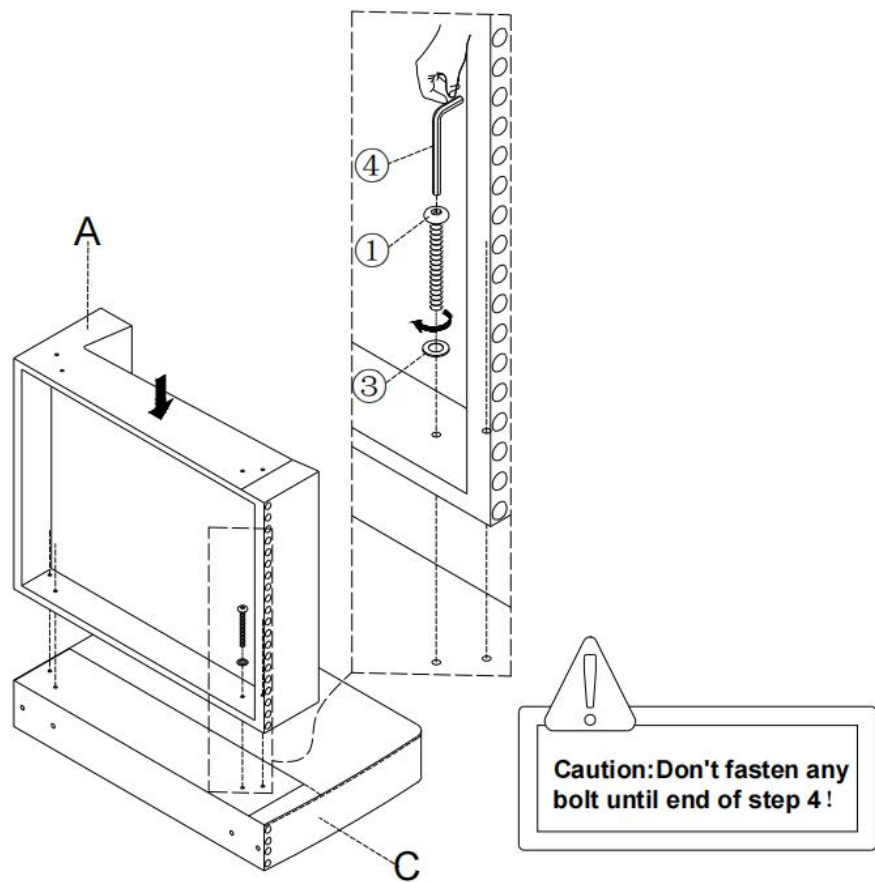
Be sure to check all packing material carefully for small parts, which may have come loose inside the carton during shipment.

ASSEMBLY INSTRUCTIONS

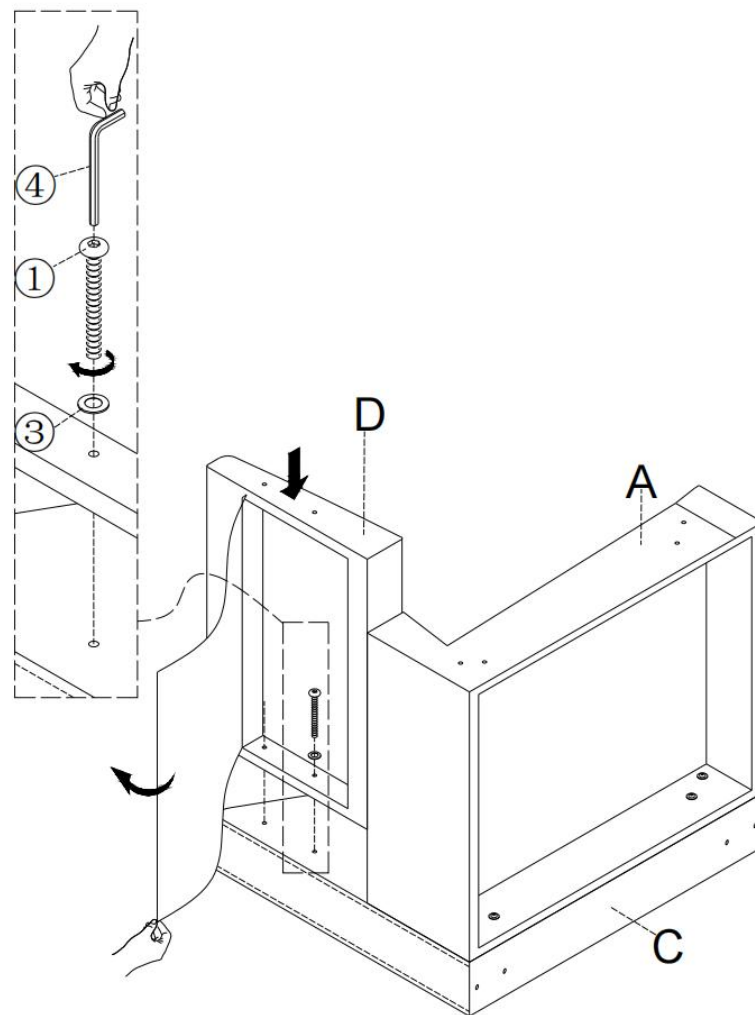
STEP 1



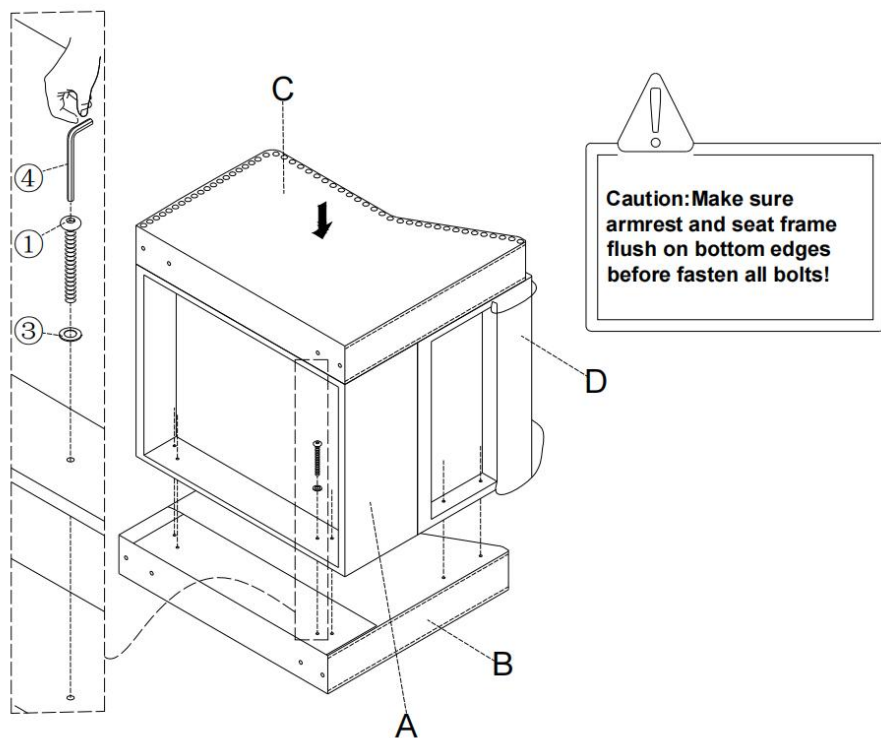
STEP 2



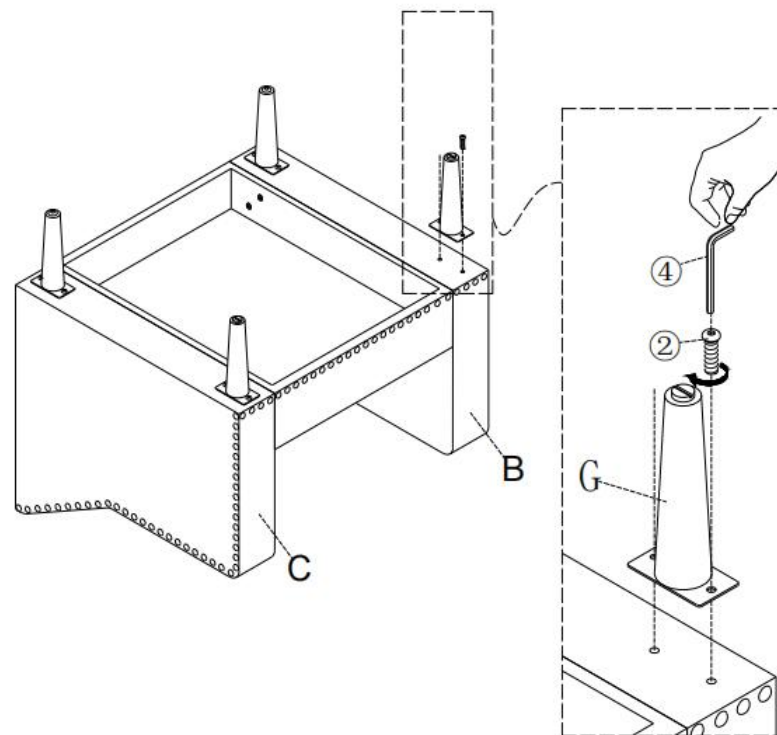
STEP 3



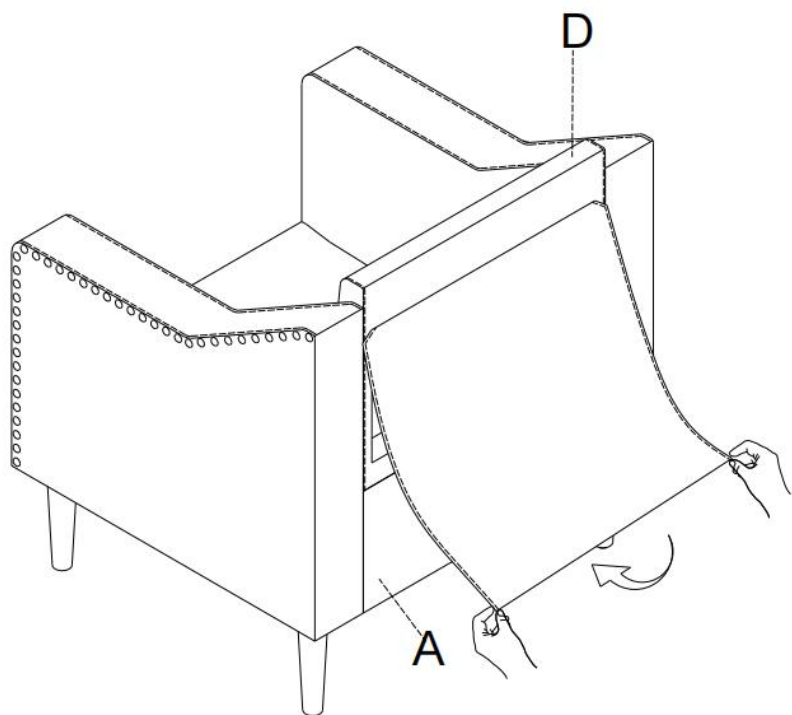
STEP 4



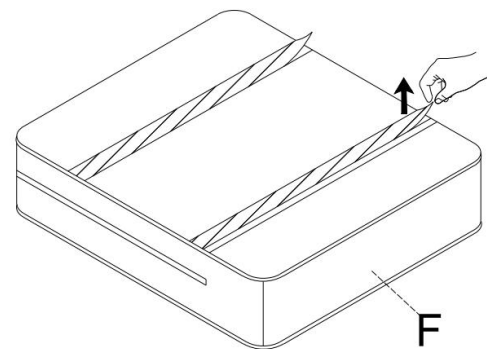
STEP 5



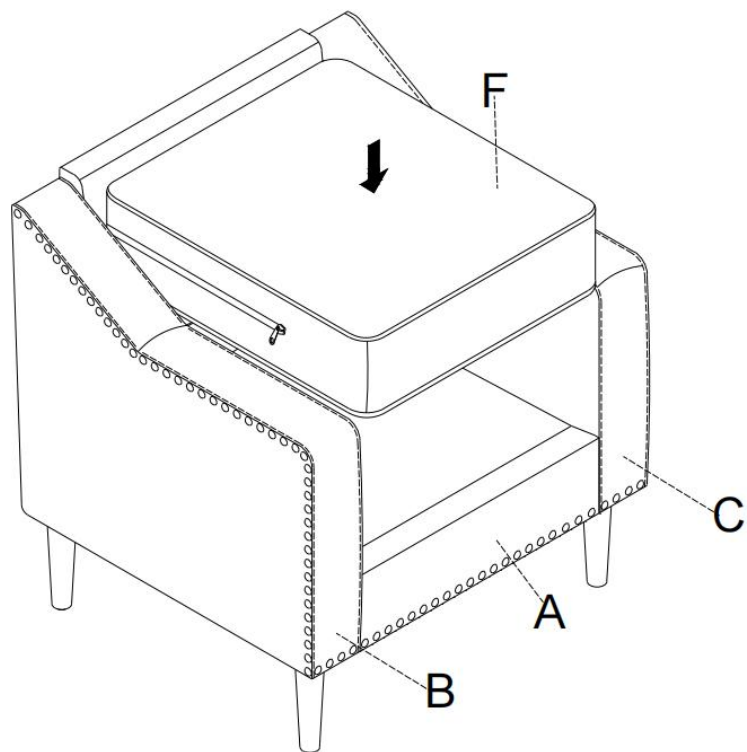
STEP 6



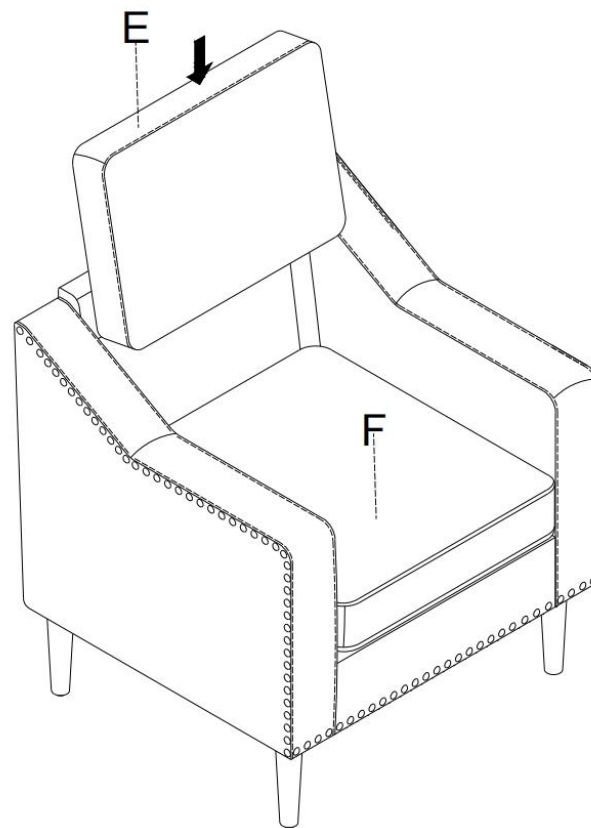
STEP 7



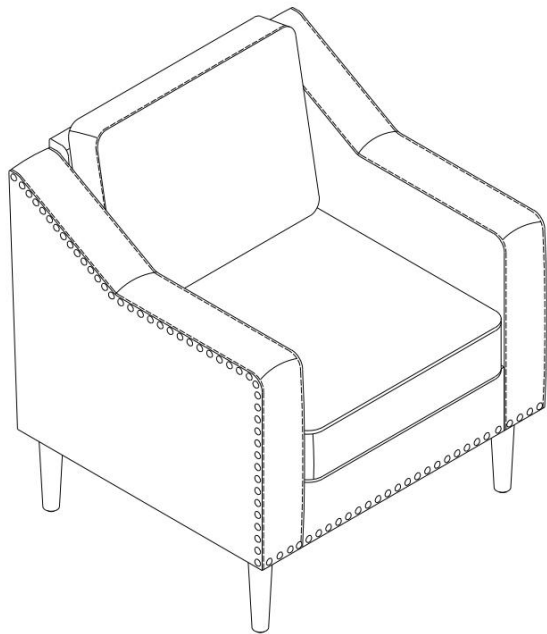
STEP 8




STEP 9



STEP 10



STEP 11


Attention:
After installation, adjust the adjustable leveler to keep the chair balanced.
Be sure to check all packing material carefully for small parts, which may have come loose inside the carton during shipment.

