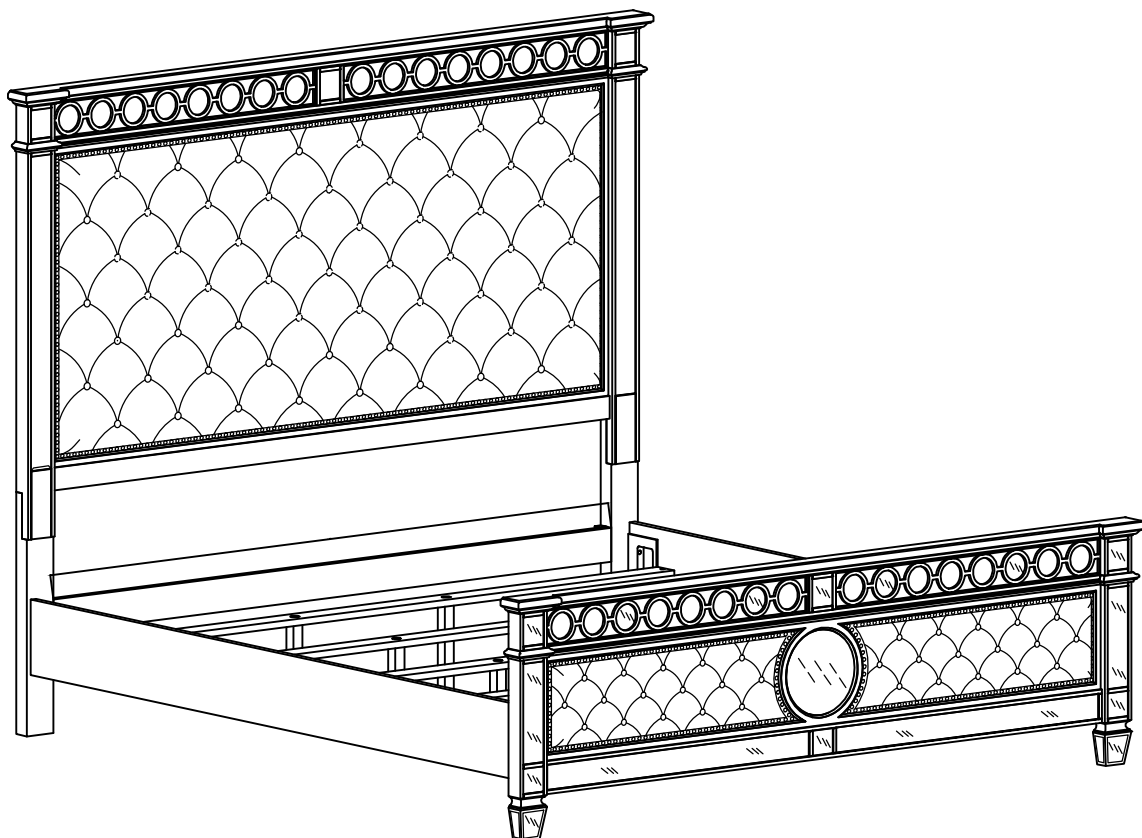


ASSEMBLY INSTRUCTIONS



ASSEMBLY INSTRUCTIONS

ASSEMBLY TIPS:

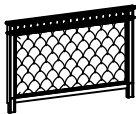
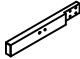





- 1.Remove hardware from box and sort by size.
- 2.Please check to see that all hardware and parts are present prior to start of assembly.
- 3.Please follow attached instructions in the same sequence as numbered to assure fast & easy assembly.





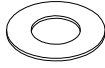


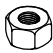
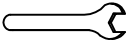

Warning!

1. Don't attempt to repair or modify parts that are broken or defective. Please contact the store immediately.
2. This product is for home use only and not intended for commercial establishment.

PARTS IDENTIFICATION

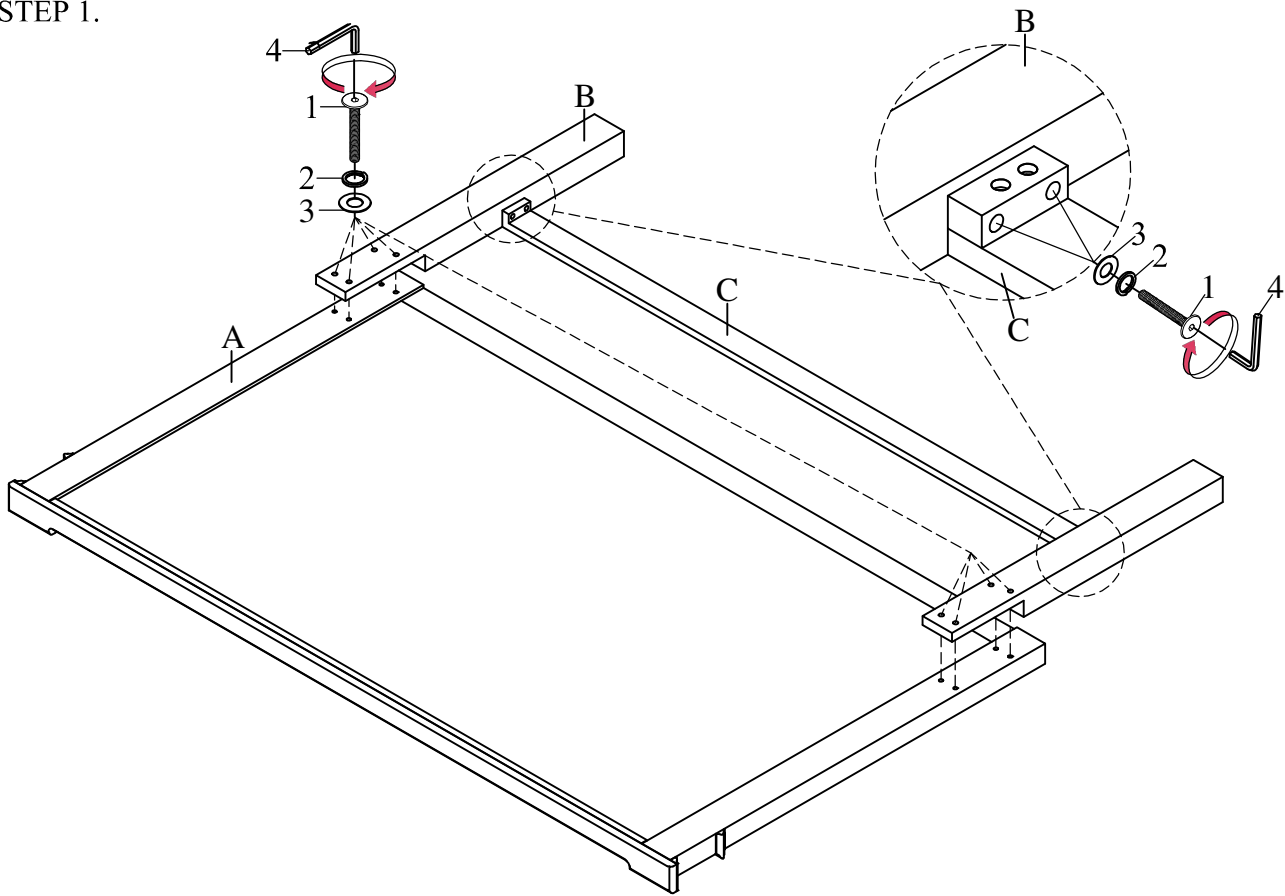
A		Headboard	1PC
B		H/Board leg (R/ L)	2PCS
C		Bottom Rail	1PC
D		Footboard	1PC
E		Bed rail	2PCS
F		Bed slat	4PCS
G		Bed slat support with leveler	8PCS

HARDWARE IDENTIFICATION

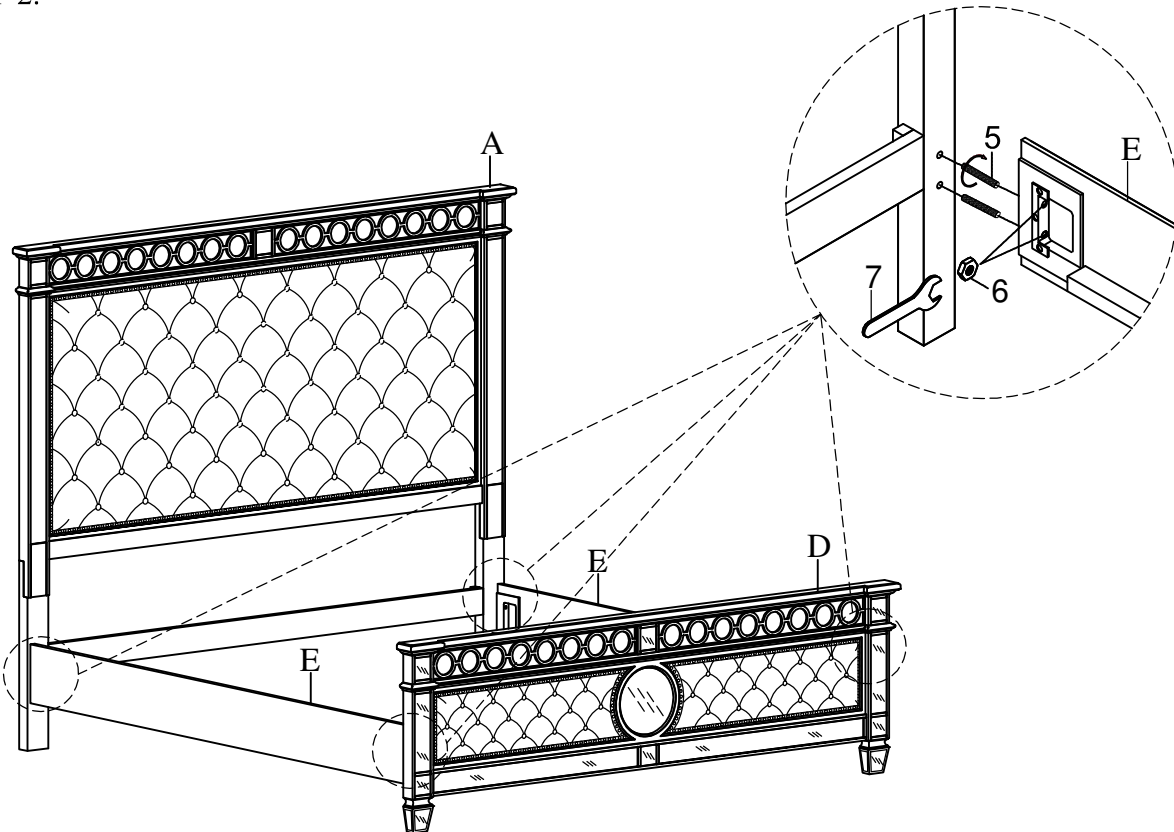
1		Bolt	12PCS
2		Lock washer	12PCS
3		Flat washer	12PCS
4		Allen wrench	1PC
5		Threaded Stud	8PCS
6		Hex Nut	8PCS
7		Wrench	1PC
8		Screw	8PCS

ASSEMBLY INSTRUCTIONS

STEP 1.

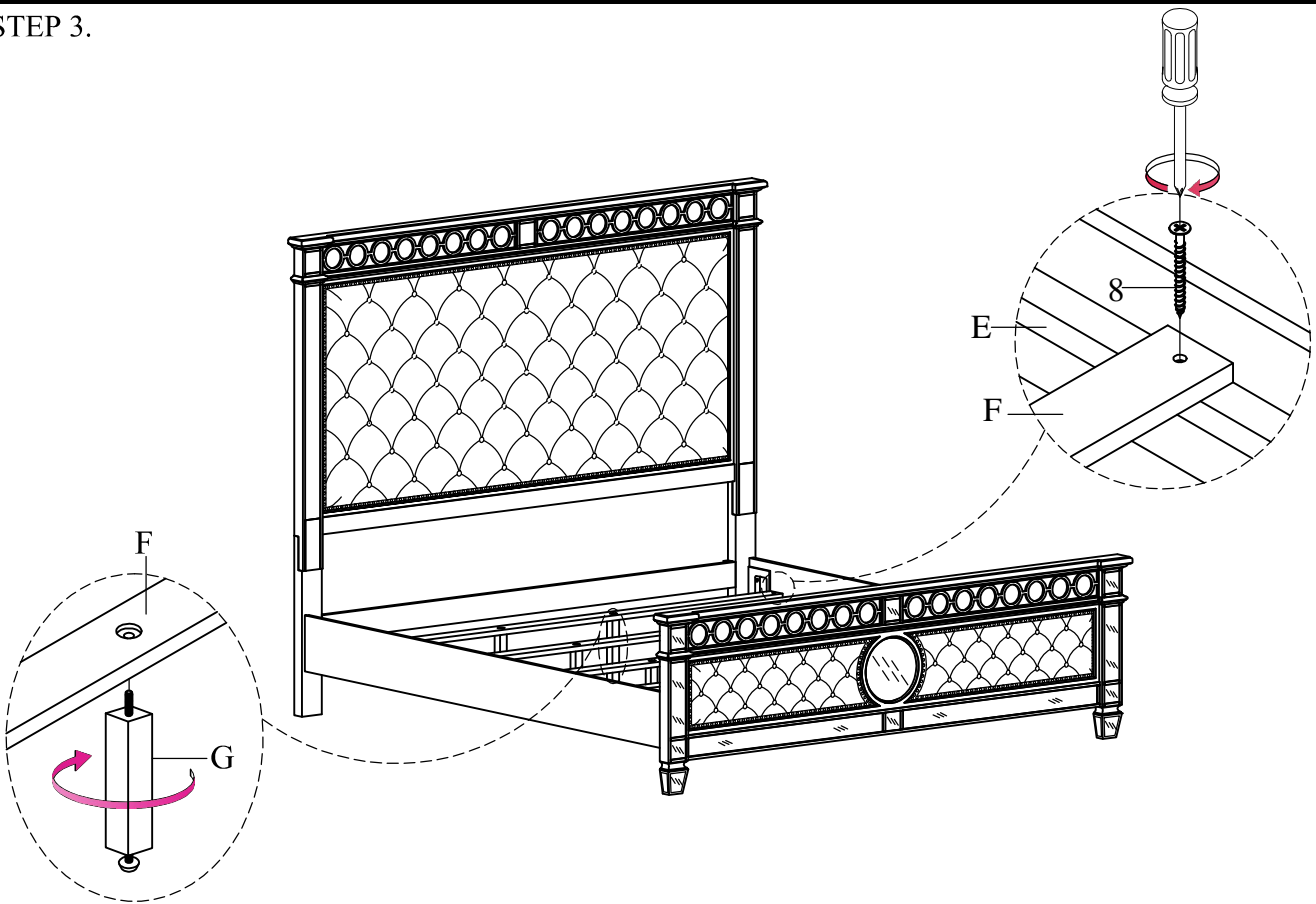


STEP 2.



ASSEMBLY INSTRUCTIONS

STEP 3.



STEP 4.

