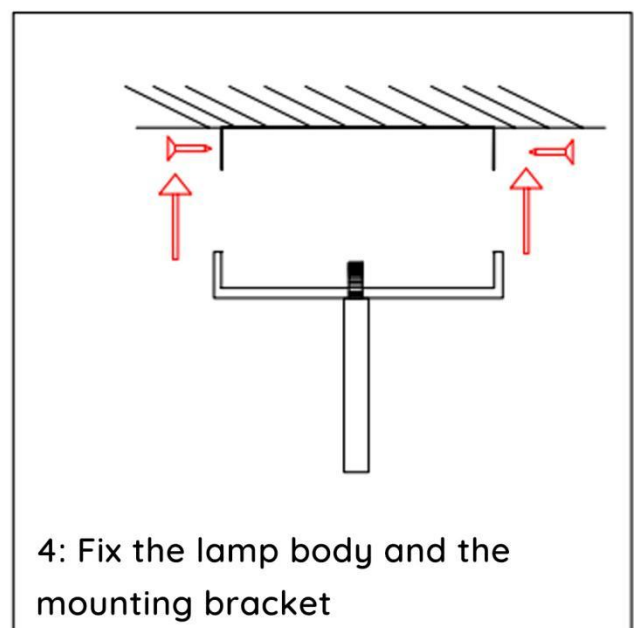
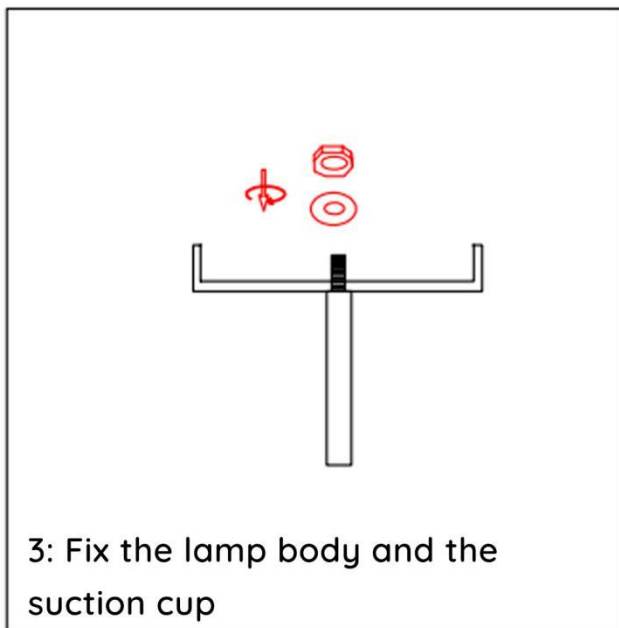
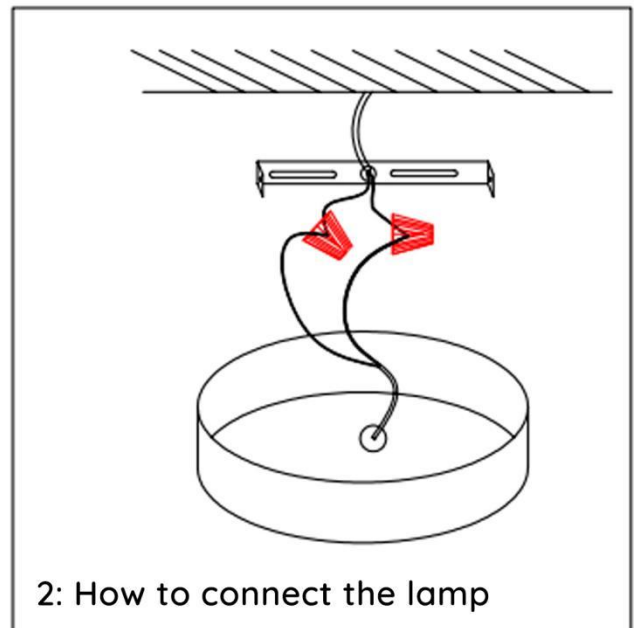
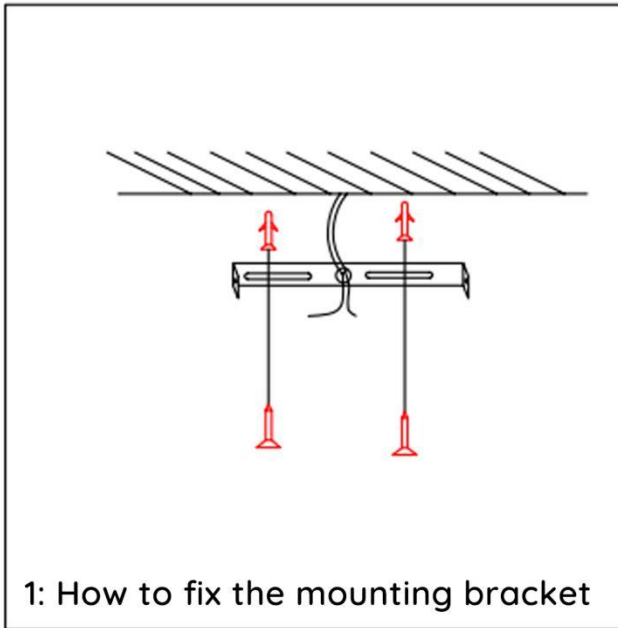


Assembly Instructions for **Model 1732199**



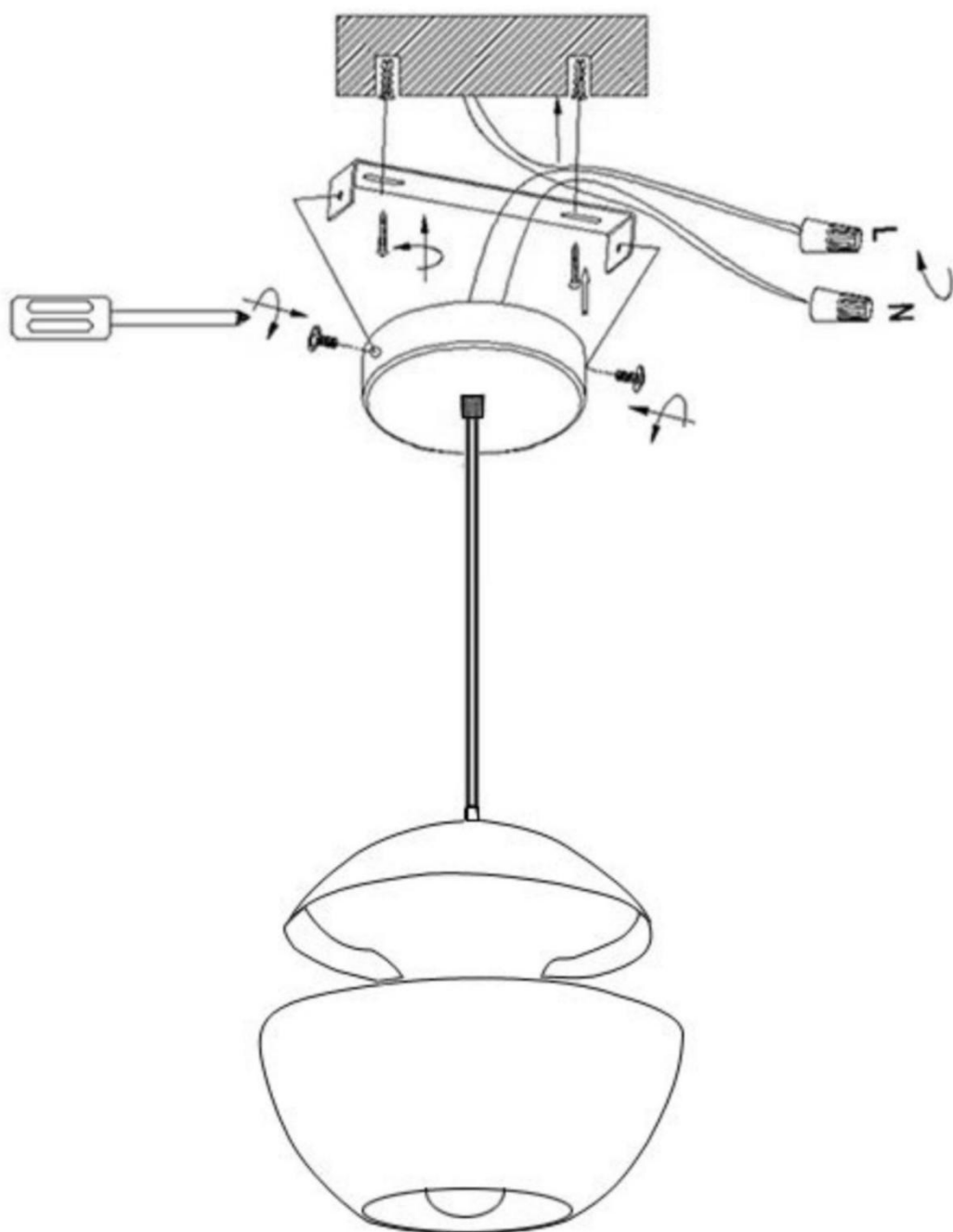
Installation method:

Use mounting brackets to install and secure the light fixture to the ceiling.



Although the light fixtures have different styles, the installation method is the same.

Installation Diagram



Installation steps:

1. Before installation, pls test the lighting fixtures and check if there is any damage
2. Take out the hanging board from base, and use the expansion screws to fix the hanging board on the ceiling
3. Turn off the power first, connect the light cord to the power cord
4. Cover the base, use the screw fix.

Warning:

- 1, Do not install lighting fixtures on unstable ceilings or open spaces
- 2, Do not install the lamp above high-temperature objects or in damp places
- 3, To ensure safety, when there is a problem with the lighting outlet, please entrust professional personnel for maintenance

Please try to light up before installation

Before installing the lighting fixtures, please check if there is any detachment or poor contact in the wiring. Please connect the wires before powering on for testing, and then try to light up after powering on. Check if it is intact before installation