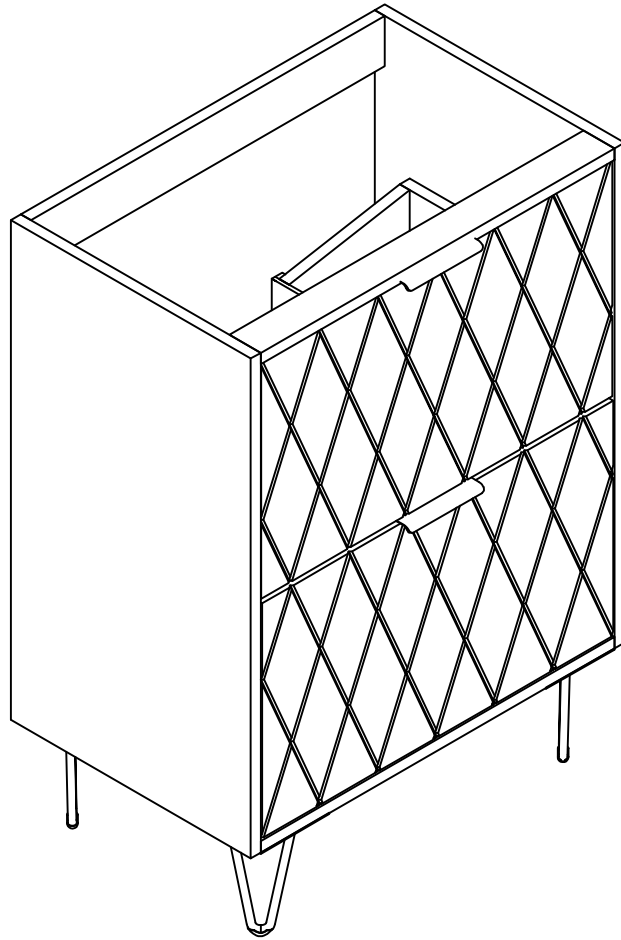


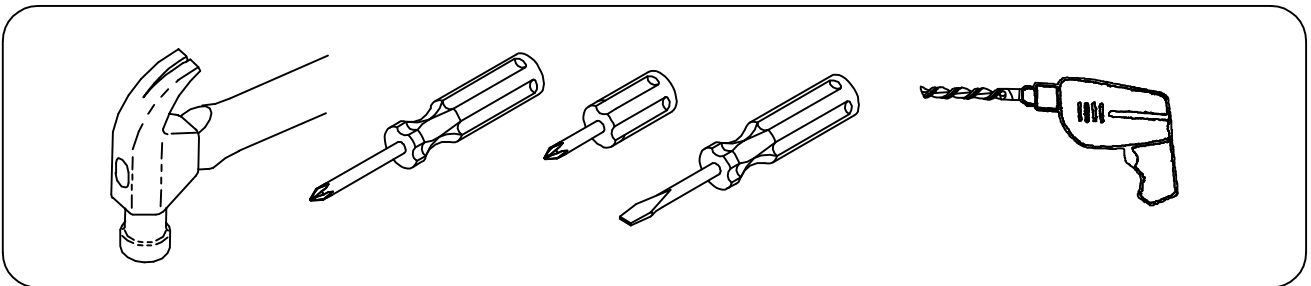


US 134

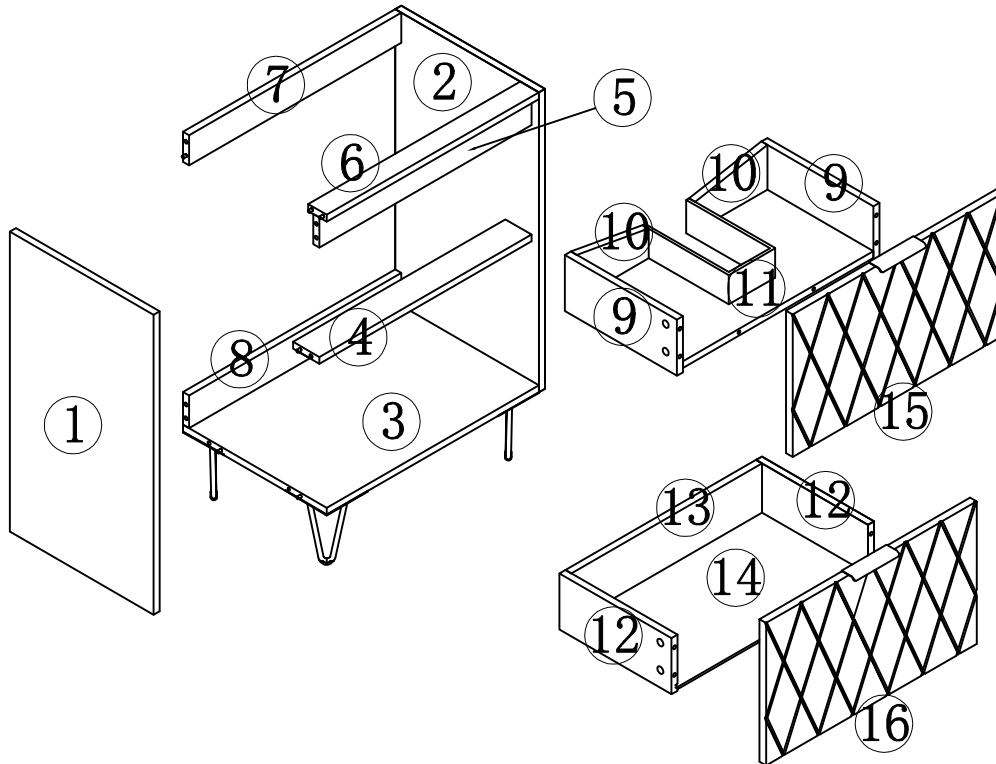


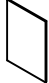

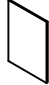

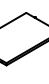



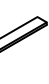


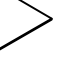













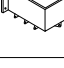


YOU MAY NEED (NOT SUPPLY)



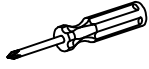
ASSEMBLY DIAGRAM



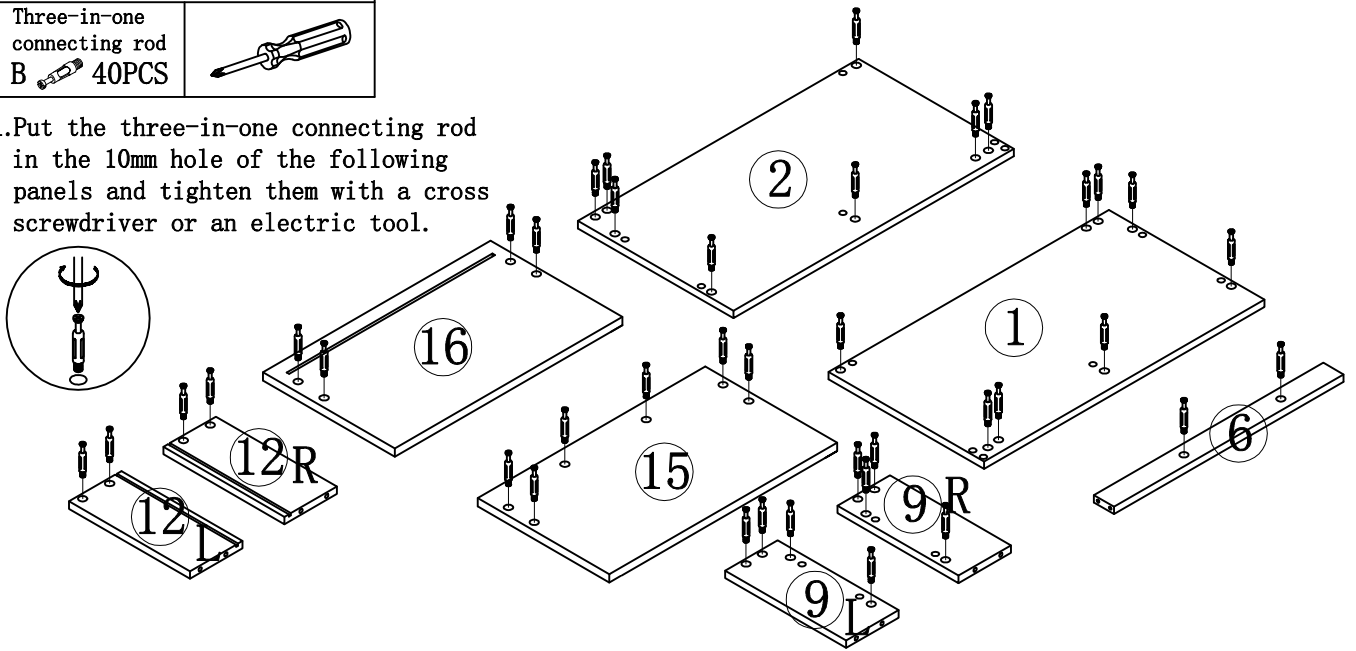
PARTS LIST					
PARTS LIST					
NO	DESCRIPTION	QTY	NO	DESCRIPTION	QTY
①	Left side panel 	1	⑨	Upper drawer side panel 	2
②	Right side panel 	1	⑩	Upper drawer baffle 	2
③	Bottom panel 	1	⑪	drawer bottom plate 	1
④	Front fixed panel 	1	⑫	Lower drawer side panel 	2
⑤	Front fixed panel 	1	⑬	Lower drawer rear panel 	1
⑥	Front fixed panel 	1	⑭	drawer bottom plate 	1
⑦	Back fixed panel 	1	⑮	Upper drawer front panel 	1
⑧	Back fixed panel 	1	⑯	Lower drawer front panel 	1

PARTS LIST					
HARDWARE LIST					
NO	DESCRIPTION	QTY	NO	DESCRIPTION	QTY
A	Three-in-one eccentric wheel 	40	F	Drawer handle 	2
B	Three-in-one connecting rod 	40	G	4*16mm screw 	50
C	Three-in-one sticker 	40	H	4*12mm screw 	4
D	8*40mm wood dowel pins 	16	I	Drawer U-shaped plastic 	1
E	Drawer slides 	4	J	Metal feet 	4
CAUTION: Please confirm the parts list before installation					

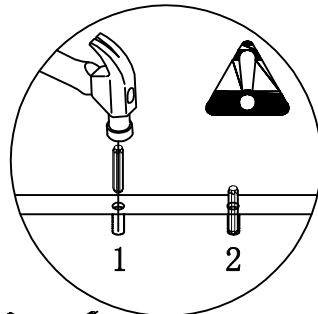
STEP 1

HARDWARE LIST	
Three-in-one connecting rod B 40PCS	

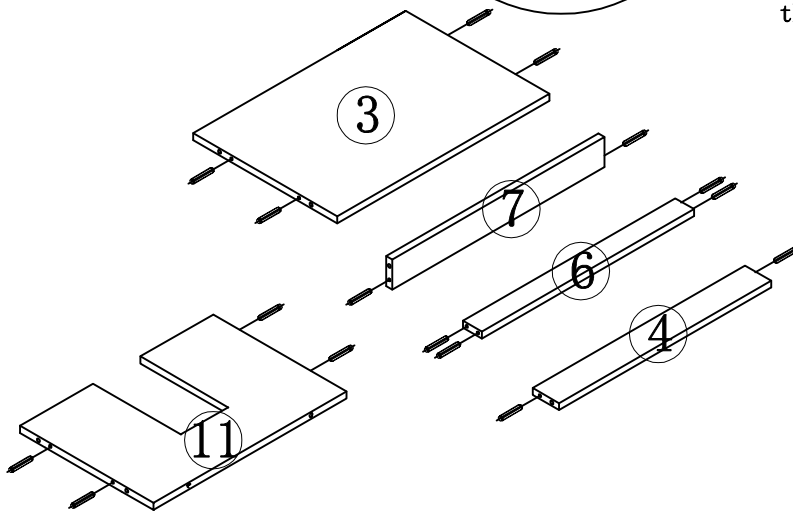
1. Put the three-in-one connecting rod in the 10mm hole of the following panels and tighten them with a cross screwdriver or an electric tool.




STEP 2

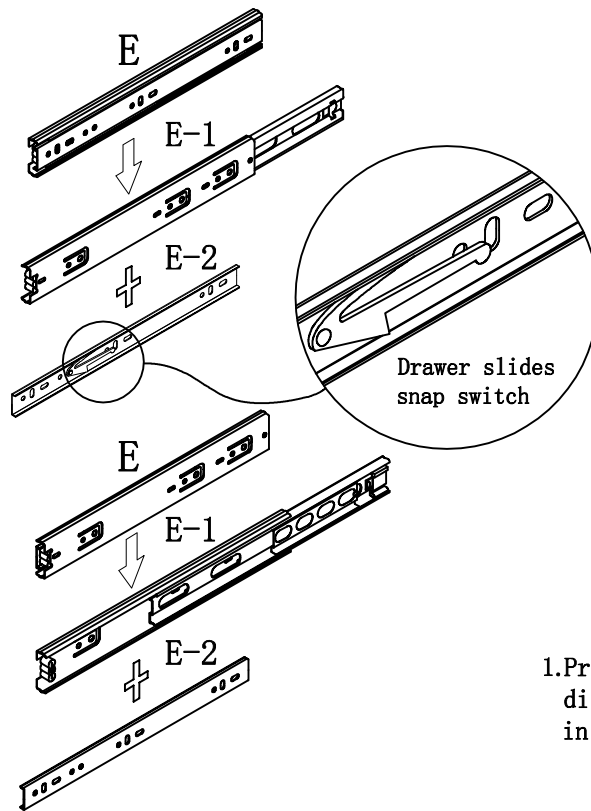


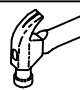

1. Strike the 08*40mm wood dowel pin into the 8m hole of the above panels with an iron hammer. Please note that the hole of the three-in-one connecting rod should also be 8mm. The hole of the three-in-one connecting rod connects to the hole of 15mm three-in-one eccentric wheel.



HARDWARE LIST	
8*40mm wood dowel pins D 16PCS	

STEP 3

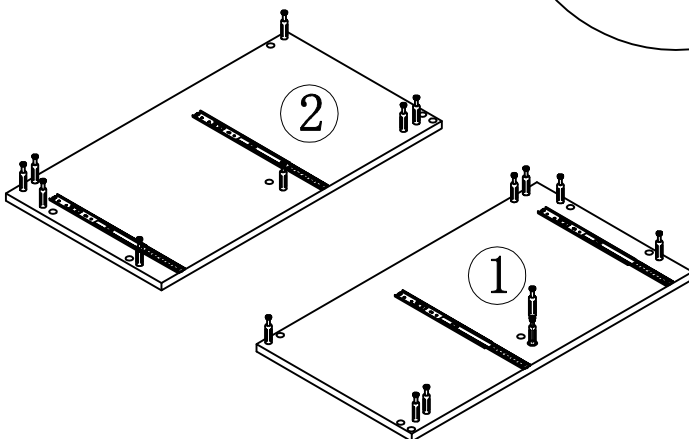
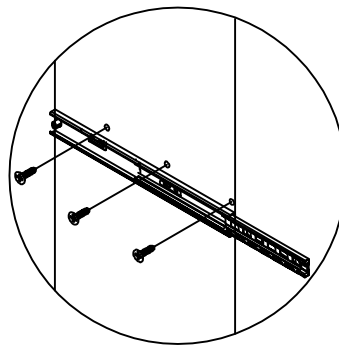





HARDWARE LIST	
Drawer slides	
E  4PCS	

1. Press the slide snap switch, disassemble slide blocks and put them in a place properly for further use.

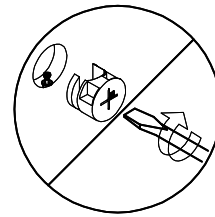
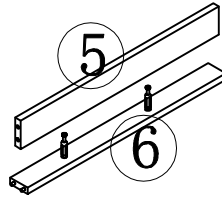
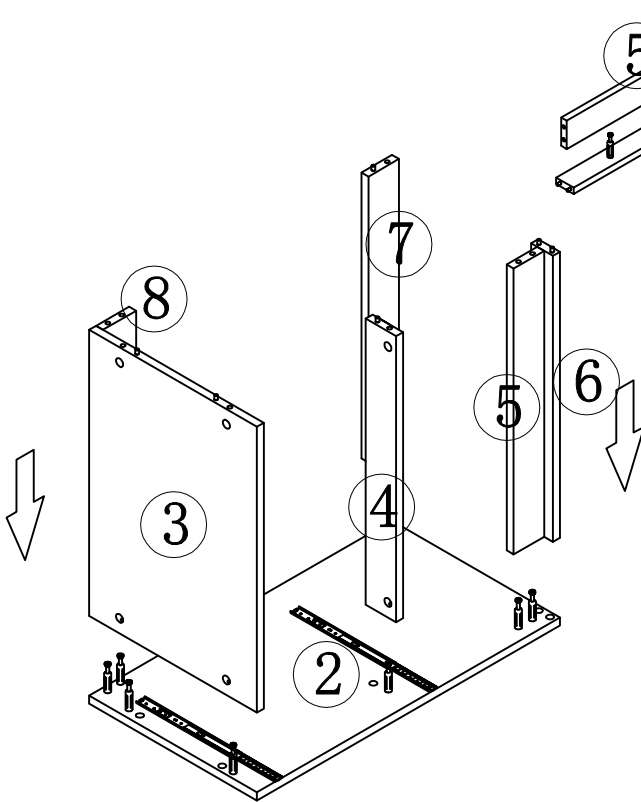
STEP 4

1. Fix the drawer slide to the side panel with 4*16mm screws.

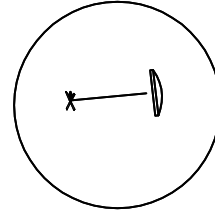


HARDWARE LIST		
4*16mm screw	Drawer slides	
G  12PCS	E-1  4PCS	




STEP 5



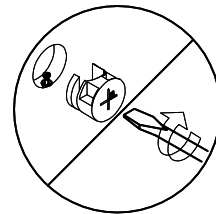
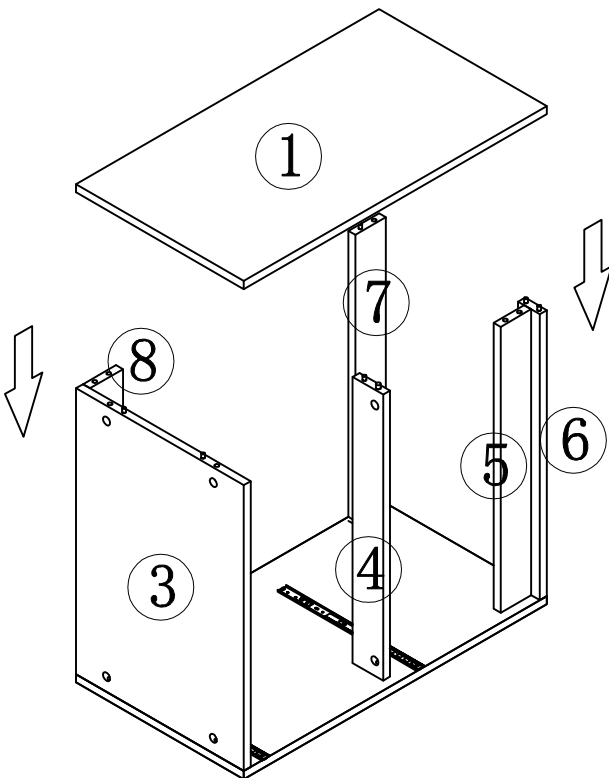
1. Connect No. 3-4-5-6-7-8 panel to No. 2 panel tightly with the three-in-one eccentric wheel.



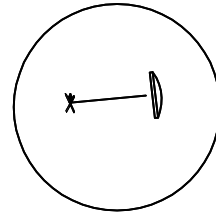
2. Cover the mounting hole of the eccentric wheel with a three-in-one sticker.

HARDWARE LIST		
Three-in-one eccentric wheel A  10PCS	Three-in-one sticker C  10PCS	




STEP 6



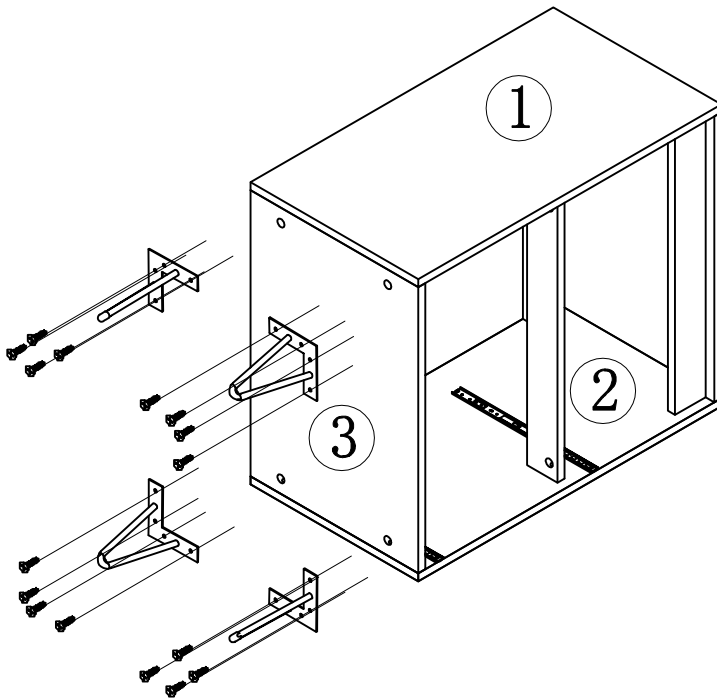
1. Connect No. 1 panel to No. 3-4-5-6-7-8 panel tightly with the three-in-one eccentric wheel.



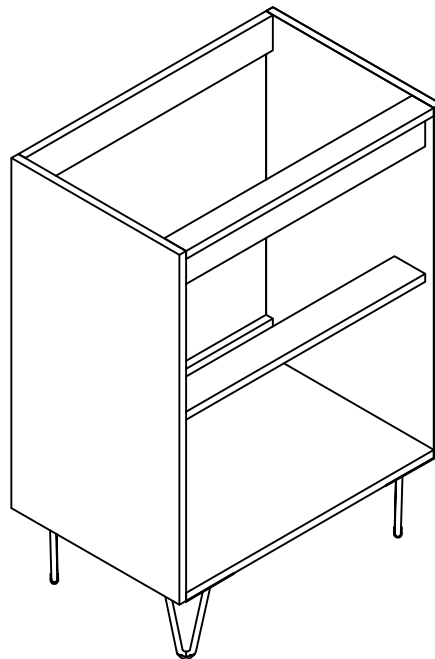
2. Cover the mounting hole of the eccentric wheel with a three-in-one sticker.




HARDWARE LIST		
Three-in-one eccentric wheel A  8PCS	Three-in-one sticker C  8PCS	

STEP 7



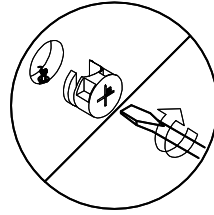
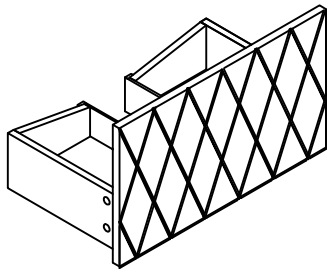
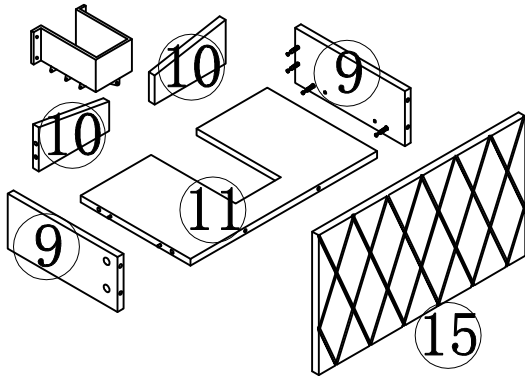
Use 4*16 screws to
fix the Metal feet



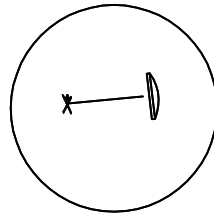
HARDWARE LIST		
4*16mm screw	Metal feet	
G  16PCS	J  4PCS	

STEP 8


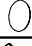
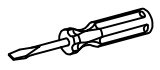



1. Install the Drawer U-shaped plastic with 4*16mm screws.



1. Install No. 9-10-11-15 panels with the three-in-one eccentric wheel tightly.

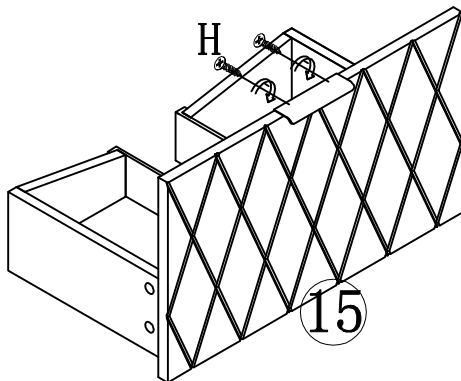



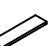
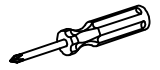
2. Cover the mounting hole of the eccentric wheel with a three-in-one sticker.

HARDWARE LIST		
Three-in-one eccentric wheel A  14PCS	Three-in-one sticker C  14PCS	
Drawer U-shaped plastic I  1PCS	4*16mm screw G  10PCS	

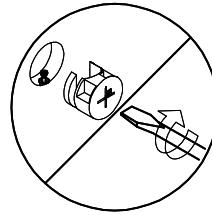
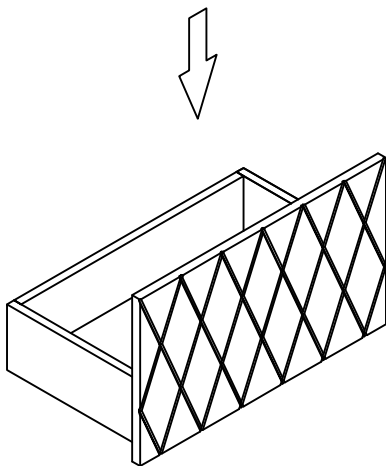
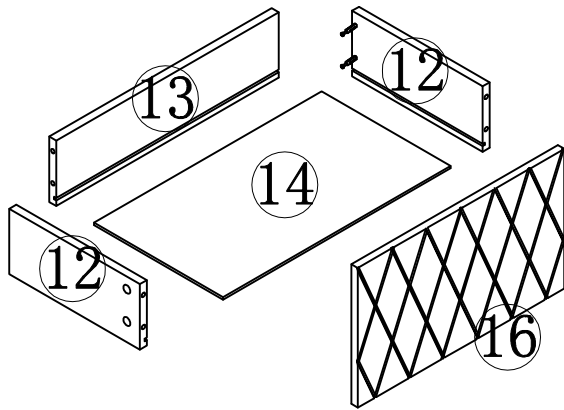
STEP 9

1. Install the drawer handle with 4*12 mm screws.

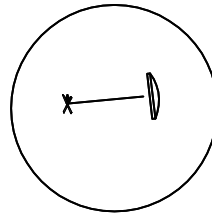


HARDWARE LIST		
4*12mm screw H  2PCS	Drawer handle F  1PCS	




STEP 10



1. Install No. 12-13-14-16 panels with the three-in-one eccentric wheel tightly.

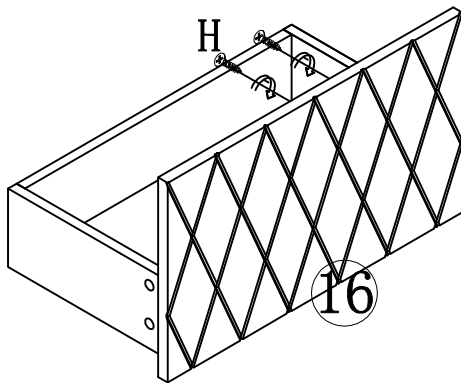





2. Cover the mounting hole of the eccentric wheel with a three-in-one sticker.

HARDWARE LIST		
Three-in-one eccentric wheel A  8PCS	Three-in-one sticker C  8PCS	

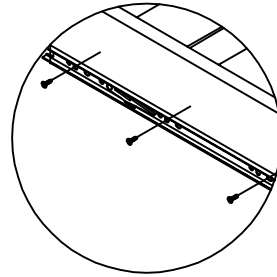
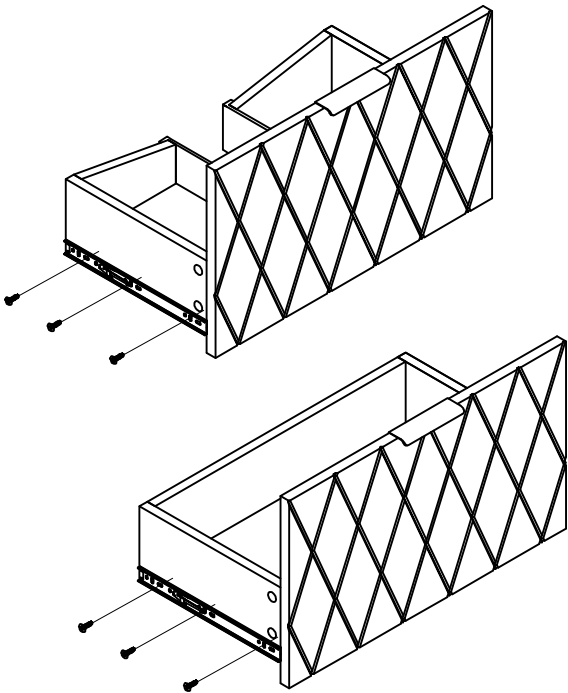
STEP 11

1. Install the drawer handle with 4*12 mm screws.

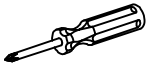




HARDWARE LIST		
4*12mm screw H  2PCS	Drawer handle F  1PCS	

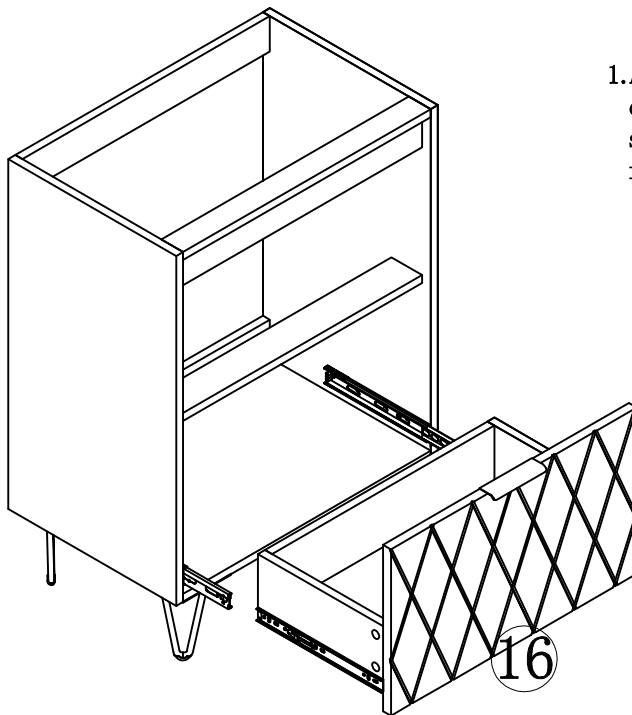
STEP 12



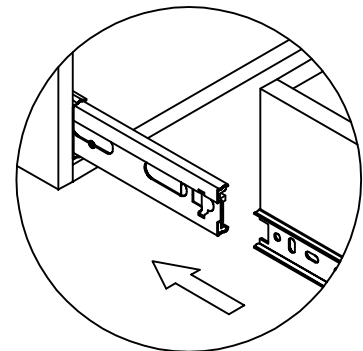
1.Lock the spare drawer slide block to the drawer.

HARDWARE LIST		
4*16mm screw	Drawer slides	
G  12PCS	E-2  4PCS	

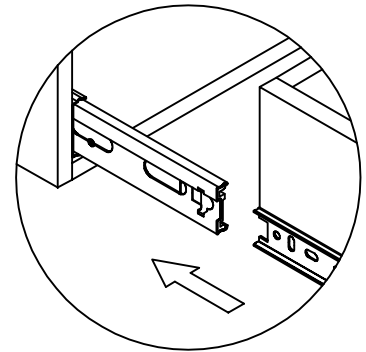
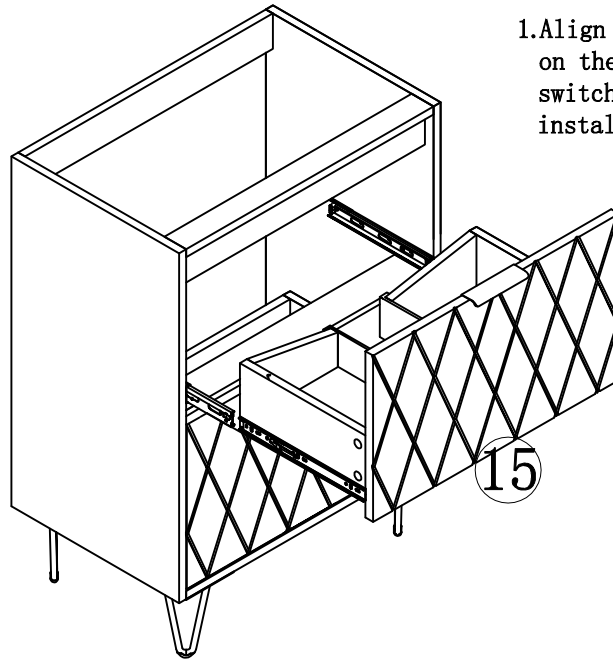
STEP 13



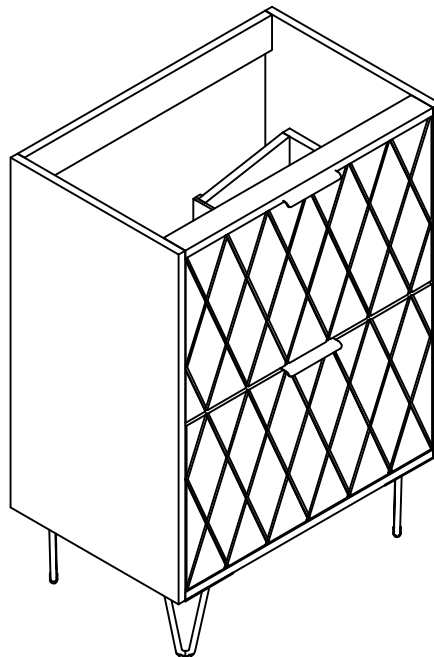
1.Align slide block with the trough on the guide rail, press the snap switch and press it forward to install the drawer.



STEP 14



STEP 15





Choking hazard-Small Parts : This unit contains small parts, not for children under 3 years.

Tip-over hazard : Secure finished unit to wall stud using L-Bracket and wall screw (#10*1.5"W/out provided). If a wall stud is not neccessible , Consault your local hardware store for appropriate mounting hardware . Failure to properly install will result in product collapse or tip-over. Serious injury can occur .