







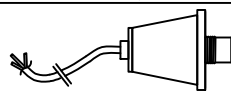


ASSEMBLY INSTRUCTION FOR PENDANT

Thank you purchasing this product. Please take time to identify the hardware as well as the individual components of the product. As you unpack and prepare for assembly, place the contents on a carpeted or padded area to protect them from damage.

HARDWARE LIST :

Label	Picture	Description	Qty
A		Mounting Plate	1
B		Mounting Screw M4 x 25	2
C		Wire nuts	3
D		Canopy	1
E		Screw collar	1
F		Screw collar loop	1
G		Leather shade	1
H		4W MAX type G LED bulb	1
I		Assembly Lamp	1

GENERAL

- To ensure the success of the fixture installation, the following instructions and diagram(s) should be read and understood.
- All electrical connections must be made in accordance with the National Electric code and local codes and ordinances. If you are uncertain of the methods of installing electrical wiring and lighting fixtures secure the services of a qualified licensed electrician.

TOOLS NEEDED

Blade screwdriver, Phillips driver, slip joint pliers or small adjustable wrench, wire cutter/stripper, electrical current tester, stepladder, and electrical tape.

FIXTURE INSTALLATION

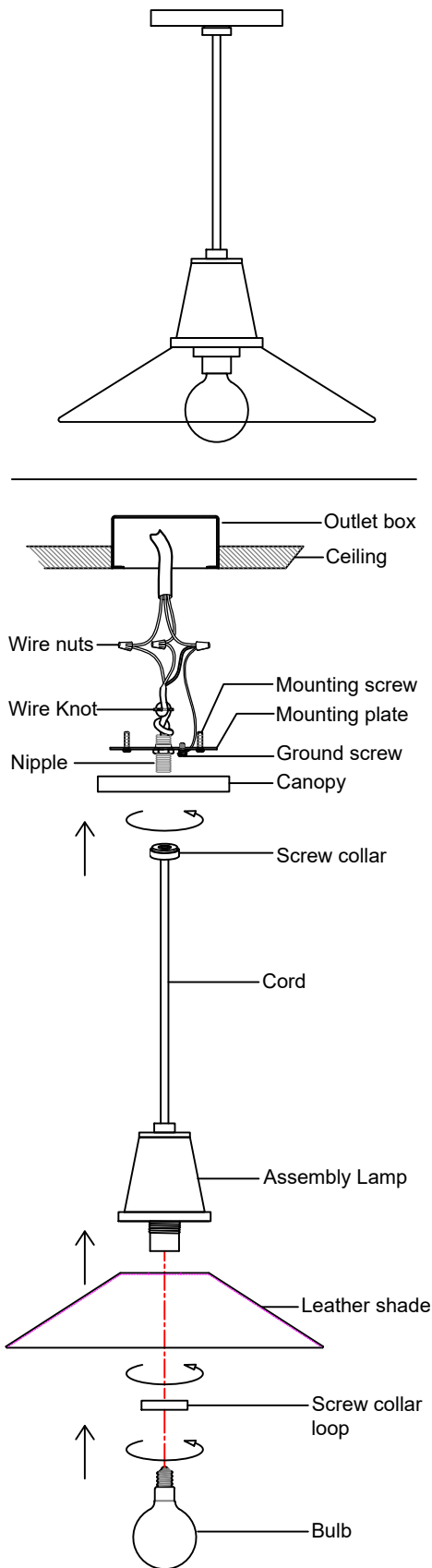
- Shut off the main electrical supply from the main fuse box/circuit breaker.
- Carefully unpack all fixture parts and hardware. Lay items out on a clear workspace.
- Feed the assembly lamp cord through the screw collar, canopy and mounting plate. At desired height and fix with wire knot and tie a wire knot in the cord above the mounting plate.
- Gently pull wiring down from ceiling junction box and allow it to hang. Carefully inspect the pendant's fixture wires:
 - Neutral fixture wire (usually white)
 - Hot fixture wire (usually black)
 - Grounding wire (usually green)
- Attach the grounding fixture wire from the pendant and bare copper wire from mounting plate to the grounding junction box wire (usually green). Fasten each together with a wire nut and wrap the connection with electrical tape.
- Attach the neutral fixture wire from the lamp assembly to the neutral junction box wire (usually white). Fasten each together with a wire nut and wrap the connection with electrical tape.
- Attach the hot fixture wire from the lamp assembly to the hot junction box wire (usually black). Fasten each together with a wire nut and wrap the connection with electrical tape.
DO NOT REVERSE THE HOT AND NEUTRAL CONNECTIONS OR SAFETY WILL BE COMPROMISED.
- Gently tuck wire connections into the junction box. Place the mounting plate over the center of the ceiling junction box. Align holes in mounting plate (A) with holes in junction box and attach with 2 mounting screws (B).
- Place canopy (D) onto the center of mounting plate and secure with screw collar (E).
- Fit leather shade (G) on the assembly lamp (I) and secure with screw collar loop (F).
- Insert 01 bulb into socket.

DO NOT EXCEED SPECIFIED WATTAGE.

Restore power to junction box and test fixture. Installation is now complete.

DIMMING

The fixture can be controlled by a wall dimming device. These can be provided by your local electrical distributor, home center, or hardware store.



Please clean with a soft, dry cloth ONLY!
Do not use cleansers.