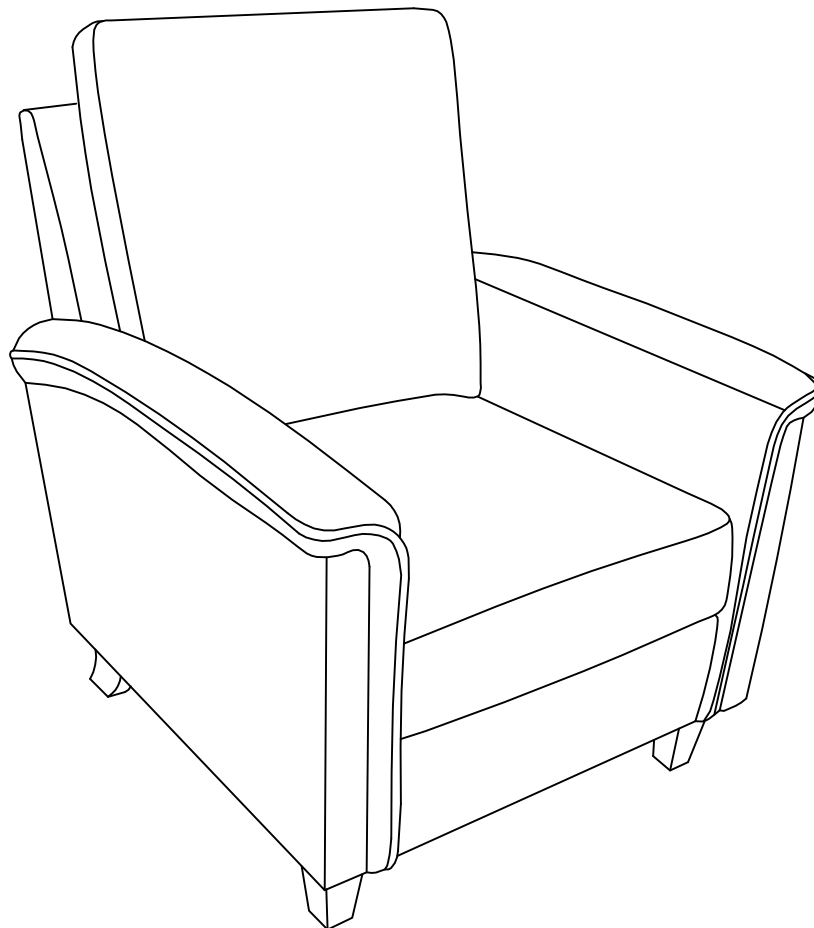


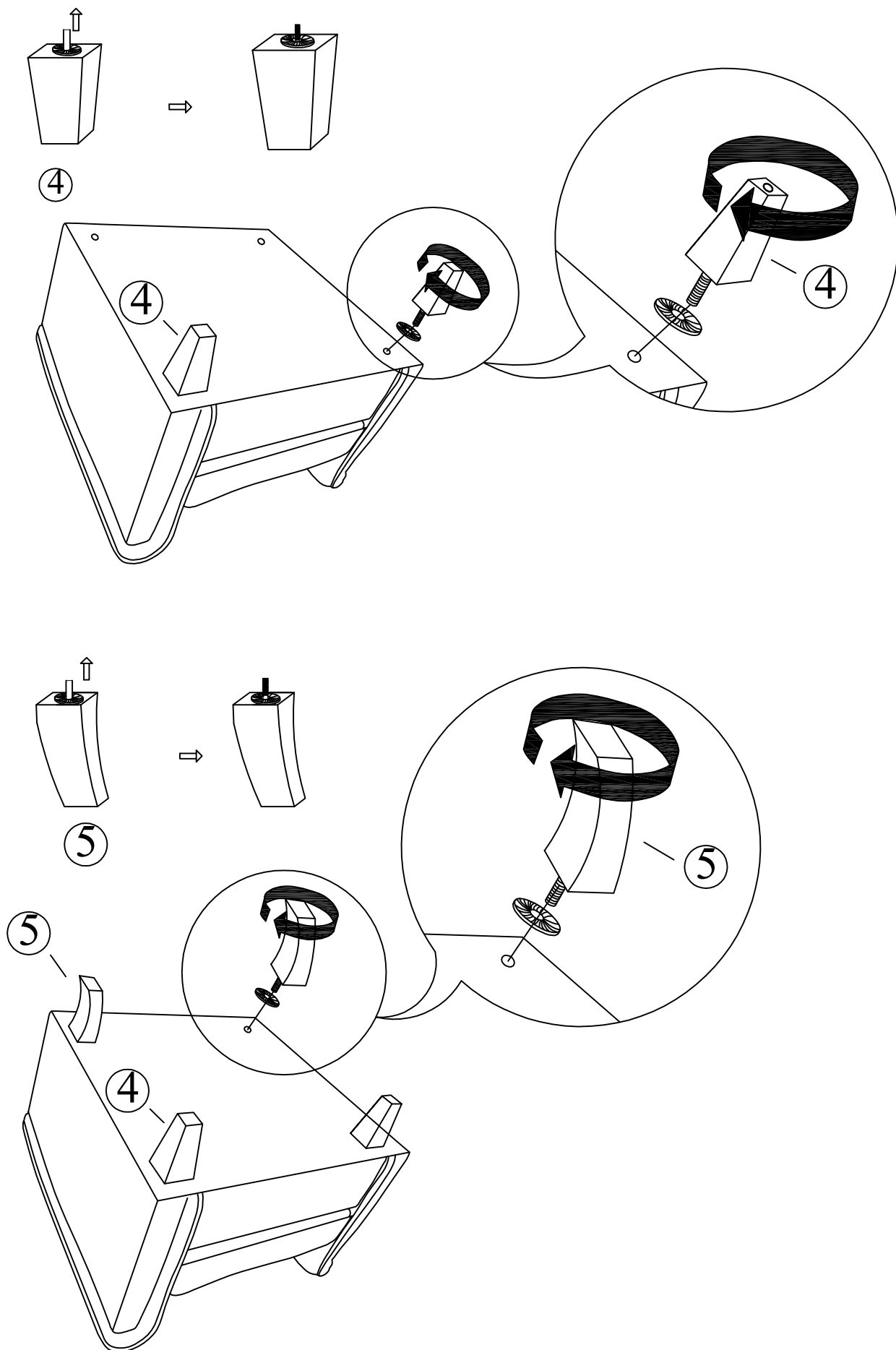
# Assembly Instructions



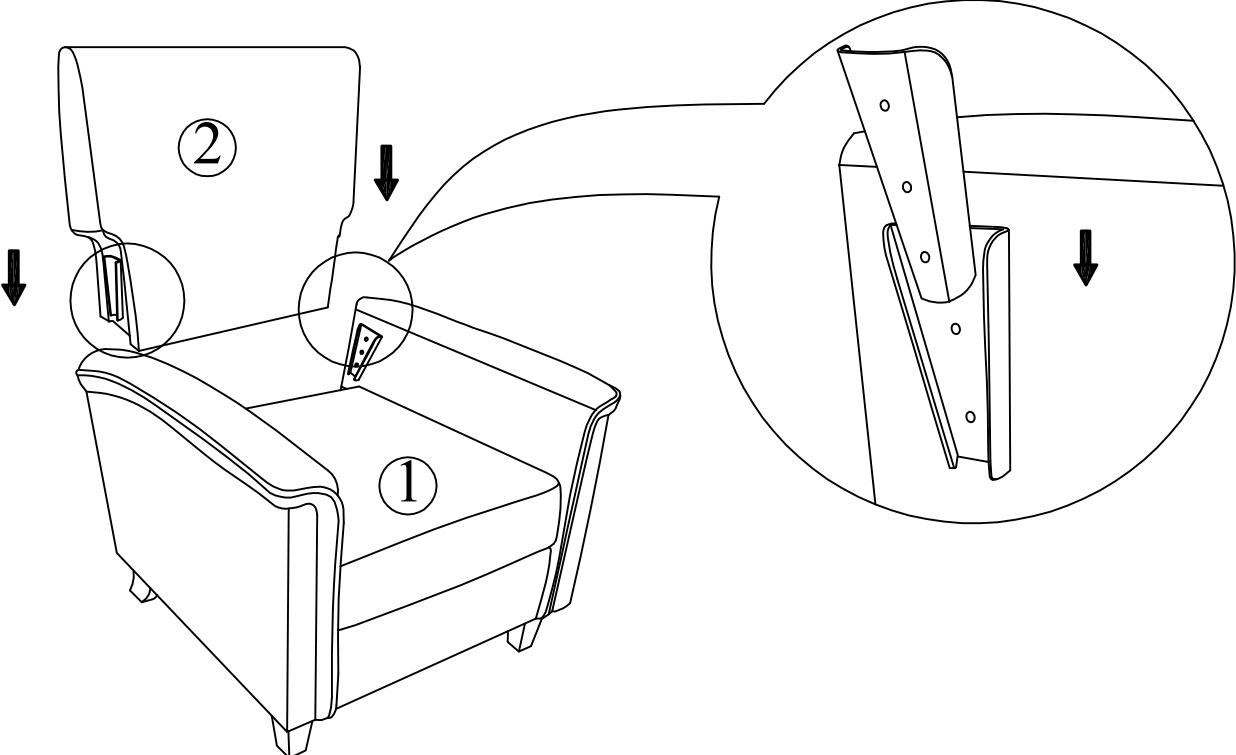
①	CHAIR BODY		1 PC
②	CHAIR BACK		1 PC
③	CHAIR BACK CUSHION		1 PC
④	FRONT LEG		2 PCS
⑤	BACK LEG		2 PCS

# STEP 1

REMOVE PLASTIC CAP



# STEP 2



# STEP 3

