

- Parts List:
- (1) Hardware pack
 - (2) Leg
 - (1) Front brace
 - (1) Back brace
 - (1) Seat assembly
 - (2) Arm rest
 - (1) Back assembly

TOOLS REQUIRED



Allen Wrench
Included

Phillips Screw-Driver
Not included

Note:
Do not use an impact driver
to install hardware.
Use battery operated drill or
provided Allen wrench

- (4) A - 1/4-20 x 2-5/8" Lag screw



- (4) B - 1-1/2" Phillips screw



- (2) C - 1/4-20 x 1-1/2" Machine screw

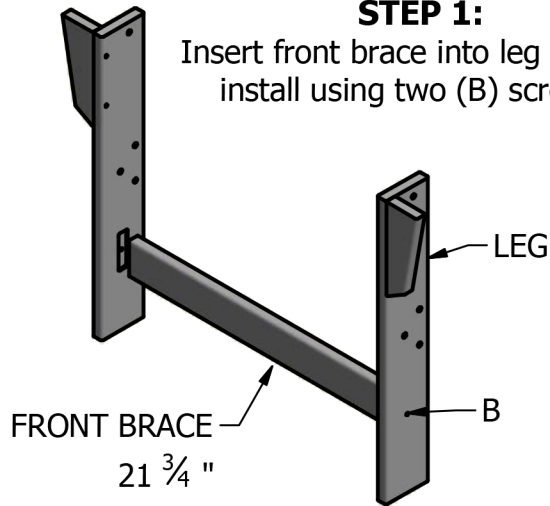


- (6) D - 1/4-20 x 1-1/4" Machine screw



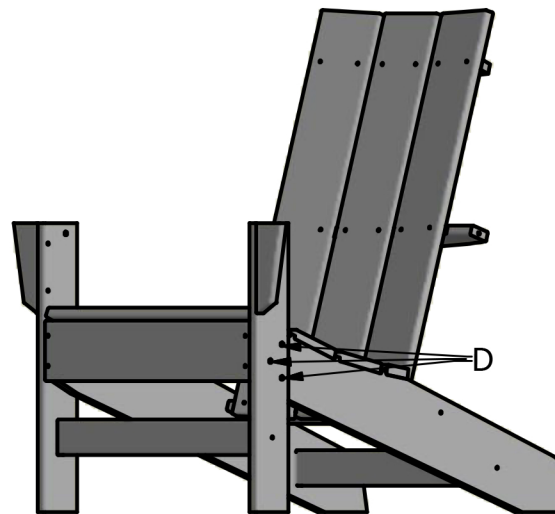
STEP 1:

Insert front brace into leg slot and
install using two (B) screws.



STEP 3:

Install the leg assembly on to the
seat frame using six (D) screws.

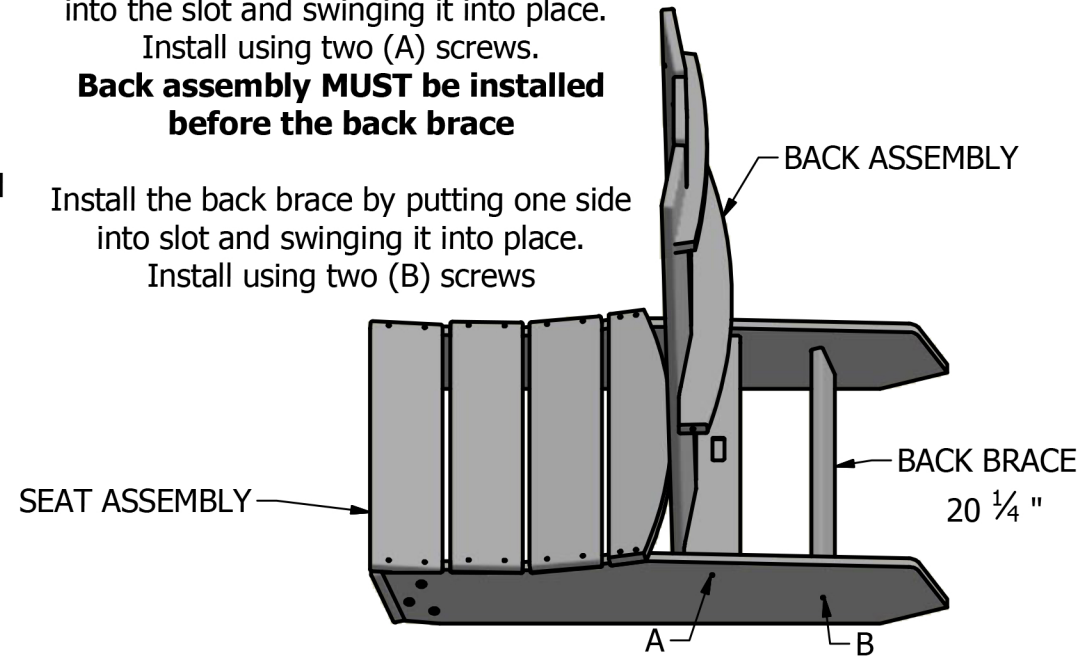


STEP 2:

Lay seat frame on the ground.
Install the back frame by putting one side
into the slot and swinging it into place.
Install using two (A) screws.

**Back assembly MUST be installed
before the back brace**

Install the back brace by putting one side
into slot and swinging it into place.
Install using two (B) screws



STEP 4:

Install the arm rests on to the chair
using two (A) screws and two (C) screws.

Note: Install (C) screws first

