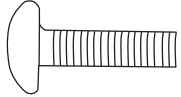



A	 M6x20MM	X16
D	 6MM	X1

