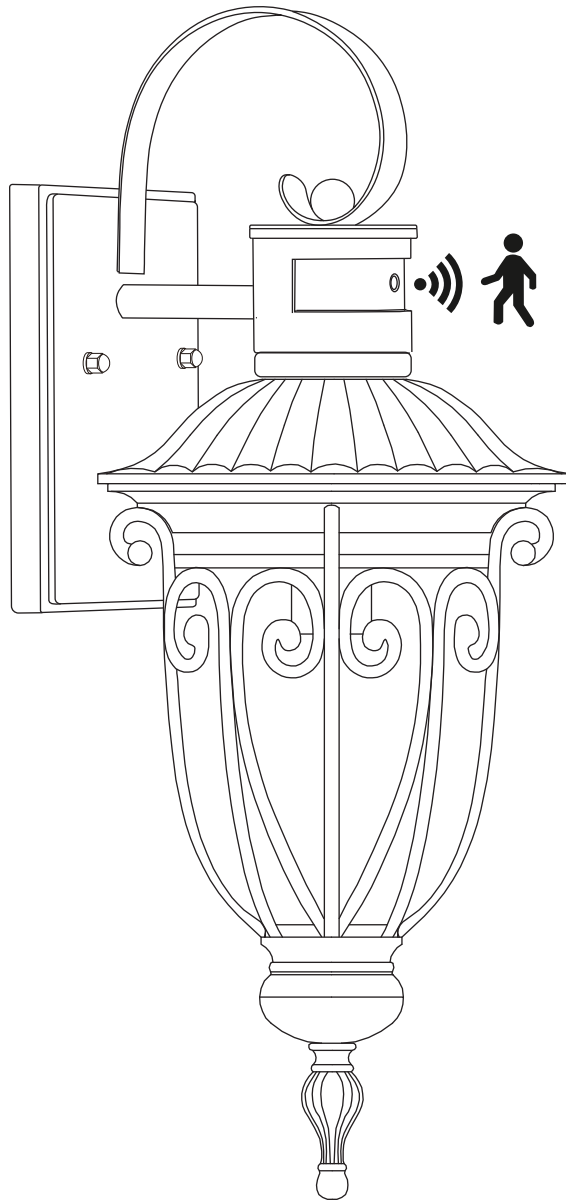


OUTDOOR WALL LANTERN USE AND CARE GUIDE



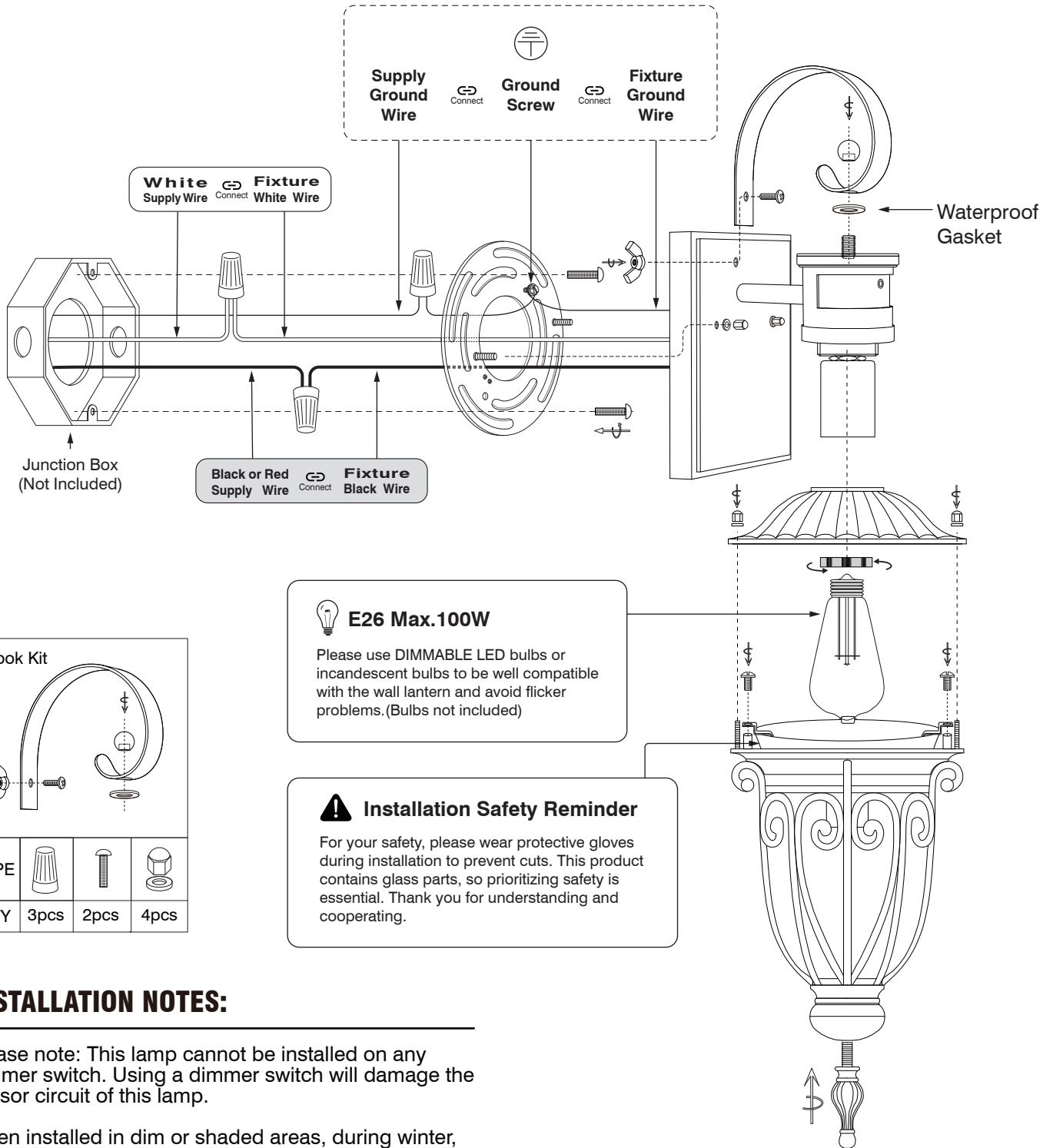
INSTALLATION INSTRUCTIONS FOR OUTDOOR WALL LIGHT



INSTRUCTIONS PERTAINING TO RISK OF FIRE OR INJURY TO PERSONS
READ ALL INSTRUCTIONS

**IMPORTANT SAFETY
INSTRUCTIONS**
SAVE THESE INSTRUCTIONS

Before starting the installation, disconnect the Power by Turning Off the Circuit Breaker. Turning the Power Off using the LightSwitch is not sufficient to prevent electrical shock. All electrical connections and installation must be following local codes, ordinances, and/or National Electric Code and Must Be Done by an Electrician Only.



Hook Kit

TYPE			
QTY	3pcs	2pcs	4pcs

E26 Max.100W
Please use DIMMABLE LED bulbs or incandescent bulbs to be well compatible with the wall lantern and avoid flicker problems. (Bulbs not included)

Installation Safety Reminder
For your safety, please wear protective gloves during installation to prevent cuts. This product contains glass parts, so prioritizing safety is essential. Thank you for understanding and cooperating.

INSTALLATION NOTES:

Please note: This lamp cannot be installed on any dimmer switch. Using a dimmer switch will damage the sensor circuit of this lamp.

When installed in dim or shaded areas, during winter, or in low-light conditions, the lamp might not switch off automatically. Please manually turn off the lamp when necessary.

ASSEMBLY INSTRUCTIONS

TOOLS AND MATERIALS REQUIRED:



Phillips
Screwdriver



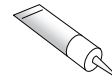
Wire Cutters



Safety Gloves



Ladder



Mastic Silicone
Rubber



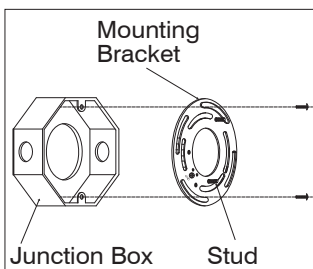
Safety Glasses

SAFETY PRECAUTIONS:

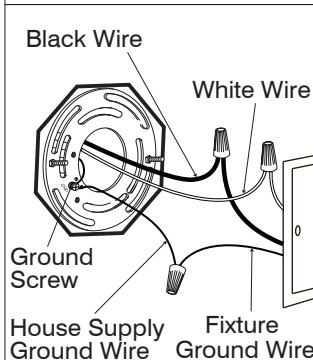
1. Turn off electrical power before starting the installation of the light fixture.
2. This product must be installed in accordance with the applicable installation code by a person familiar with the construction and operation of the product and the hazards involved.
3. Firmly attach the fixture ground wire (bare copper) to the mounting bracket with the ground screw (by wrapping around the ground screw) and then connect it to the house supply ground wire with a wire nut.
4. To clean the fixture, turn off the power, wait for it to cool, and wipe the fixture with a clean, soft cloth.

Note: the product may not look exactly as shown in the figures.

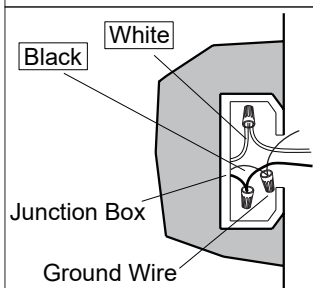
INSTALLATION:



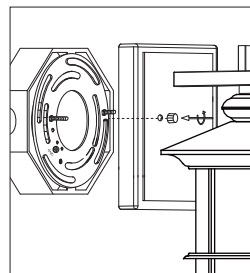
1. Secure the round mounting bracket to the outlet box. Make sure the studs on the mounting bracket are facing out from the junction box.



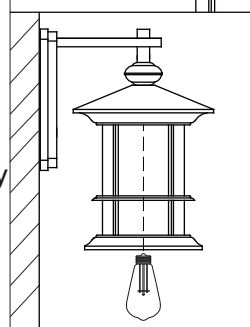
2. Firmly attach the fixture ground wire (bare copper) to the round mounting bracket with the ground screw (by wrapping around the ground screw) and then connect it to the house supply ground wire with a wire nut. Connect the black wire from the fixture to the black wire in the junction box with a wire nut. Connect the white wire from the fixture to the white wire in the junction box with a wire nut.



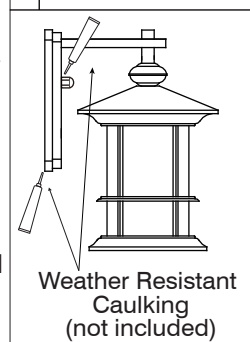
3. Once connections of wires are completed, carefully tuck wires and wire nuts into the junction box making sure no bare wire (on the black and white) is visible at the wire nuts.



4. Secure the two studs on the round mounting bracket to the lamp mounting plate with cap nuts.

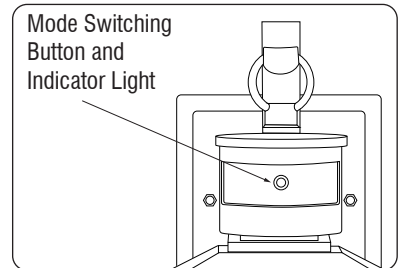
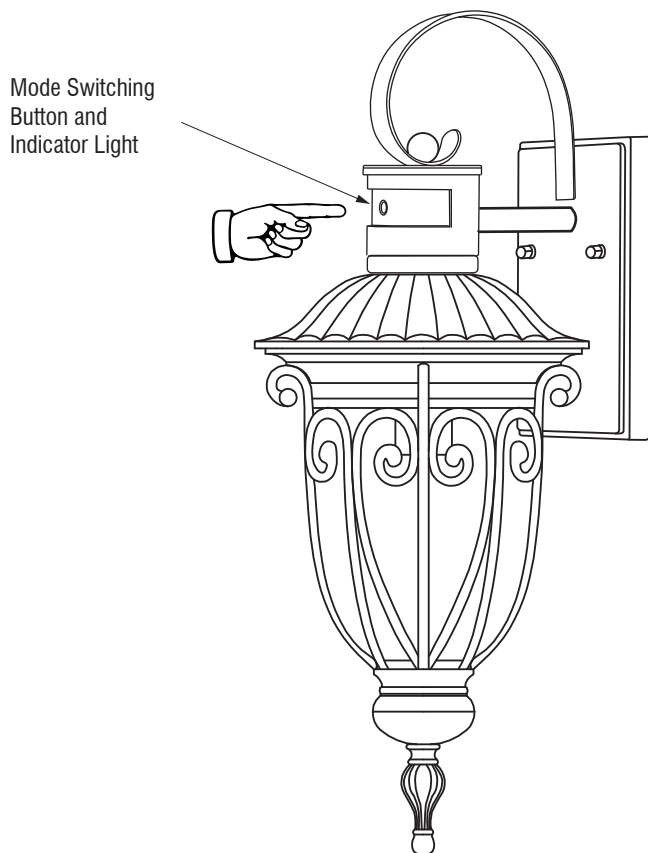


5. Install the proper bulb type and wattage (not included). Note: Please use dimmable led bulbs or incandescent bulbs to be compatible with wall lights and avoid flicker problems. Very few models of dimming bulbs may have compatibility issues. If flickering occurs, please consider replacing dimming bulbs of other brands.



6. After Installation, seal around the top and side perimeter between the fixture and the wall surface with weather-resistant caulking. The bottom should be left un-caulked to prevent moisture build-up. Apply a small amount of weather-resistant caulking around the side perimeter between the cap nut and the mounting plate.

MOTION SENSOR SETUP



ECO MODE



1. Quickly press mode button once.
2. The indicator light turns green and Light bulb turns off.
3. Change mode to ECO mode



DIM MODE



1. Quickly press mode button once.
2. The indicator light turns red and Light bulb turns on.
3. Change mode to DIM mode

MOTION SENSOR

DIM MODE:

With 30% dim light at night, activated with 100% light once motion is detected, revert to 30% brightness without movement. Full turn off at dawn.

ECO+ MODE:

Full off at night, 100% light once motion is detected, revert to full off brightness without movement. Full turn off at dawn.

Manual Override Mode :

Turn the light switch "off-on" within 2 seconds. The light will be changed into manual mode, keeping 100% brightness for 6-8hrs but will auto turn off at dawn, Then back to AUTO MODE.

Dim Mode Brightness Adjustment:

You can adjust the standby brightness in dim mode, the default is 30% brightness, you can adjust it between 10-50%, and the adjusted brightness can be memo-rized. Press and hold the sensor button to quickly adjust brightness in unattended mode.

Please refer to the MOTION SENSORS INSTRUCTION MANUAL for more setup information.

1 YEAR LIMITED WARRANTY*

This Light Fixture is warranted against defects in material and quality for 1 year from the purchase date.

This warranty does not cover acts of nature such as lighting damage or corrosion and discoloration of components. Nor does it cover damages caused through abuse, improper installation, surges in electric current, or acts of third parties.

This warranty does not cover the costs of removing and resealing the lighting fixture.

If this product falls for any reason covered by this warranty, feel free to contact us.